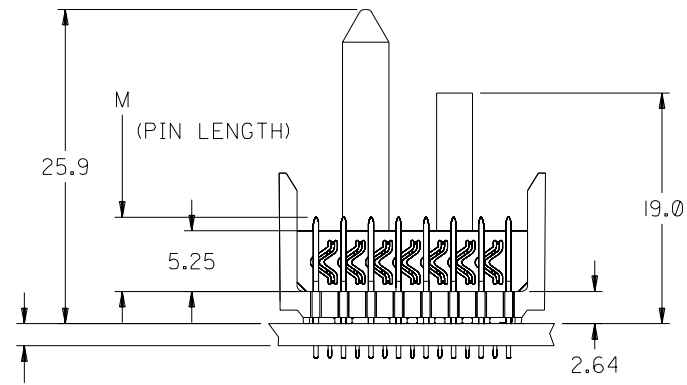
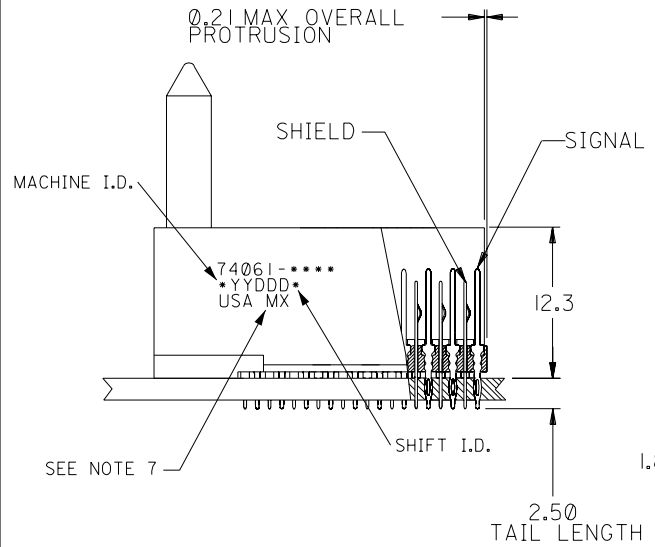


BACKPLANE HOLE PATTERN  
RECOMMENDED DIMENSION

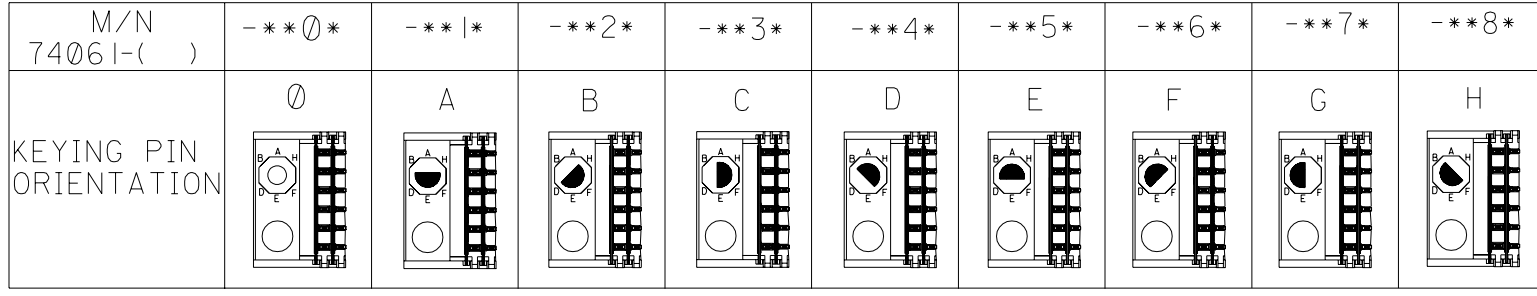
NOTES:

- MATERIALS:  
HOUSING - LIQUID CRYSTAL POLYMER (LCP),  
GLASS-FILLED, UL 94V-0, COLOR: BLACK.  
SIGNAL PIN & SHIELD - COPPER ALLOY.
- FINISHES:  
SELECTIVE GOLD (Au) ON CONTACT AREA;  
SELECTIVE MATTE TIN (Sn) ON PCB TAILS AND  
NICKEL (Ni) OVERALL.
- THIS PART CONFORMS TO MOLEX  
PRODUCT SPECIFICATION PS-74031-999
- FOR MIXED CONTACT MATING LENGTHS.  
CONSULT MOLEX FOR AVAILABILITY.
- FOR SPECIFIC MATERIAL NUMBERS  
AND MATING INFORMATION REFER TO  
SHEET 2.
- PACKAGE PER PK-74061-003.
- EITHER MARK PARTS WITH PART NUMBER AND DATE CODE  
APPROXIMATELY WHERE SHOWN OR PLACE LABEL ON  
THE TUBE.



1.8 MIN PCB

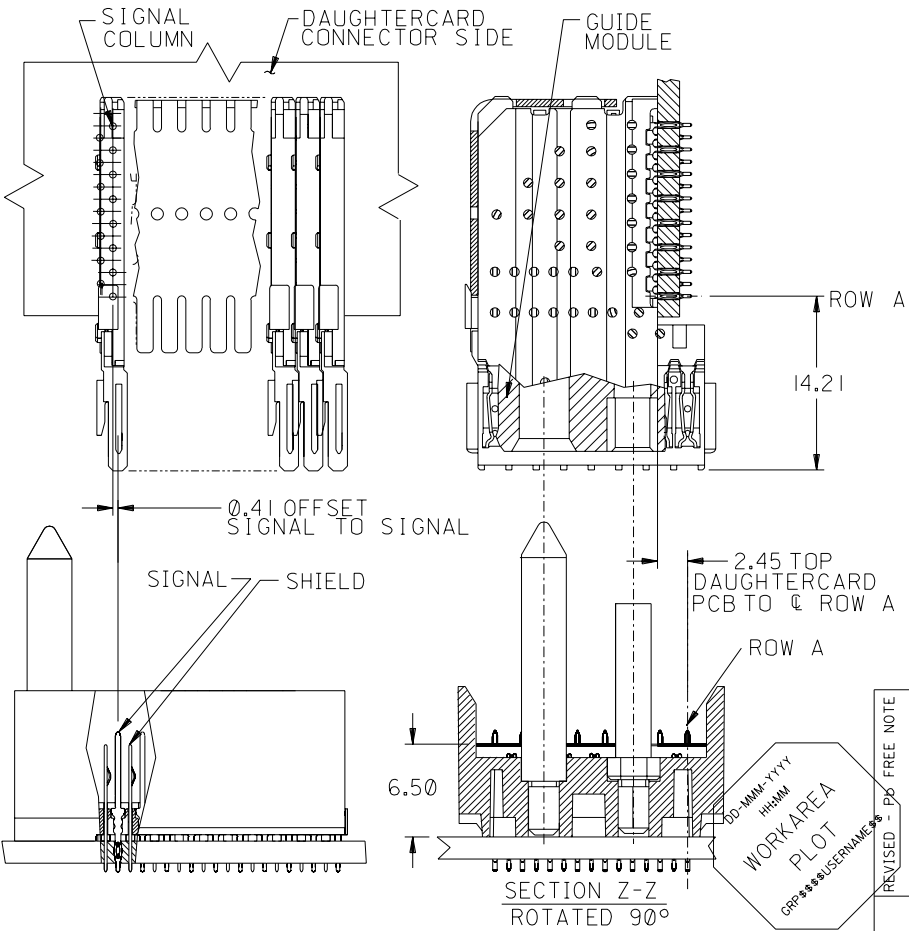
REVISED - Pb FREE NOTE EC NO. UCP2005-0451 DRWN: JMYCZEK 04/08/25 CHK: SREED 04/08/25 APPR: SREED 04/08/25	QUALITY SYMBOLS MAJOR $\nabla = 0$ CRITICAL $\nabla C = 0$	GENERAL TOLERANCES: (UNLESS SPECIFIED)		SCALE 2.5:1	DESIGN UNITS <input checked="" type="checkbox"/> mm <input type="checkbox"/> INCH	<input checked="" type="checkbox"/> THIRD ANGLE <input type="checkbox"/> PROJECTION	DIMENSIONS: <input type="checkbox"/> mm <input type="checkbox"/> INCH <input checked="" type="checkbox"/> mm ONLY		2 I I I	1 I I
		4 PLACES $\pm 0.00$ mm $\pm$ INCH	DRAWN BY & DATE MWANG 11/09/98	TITLE: VHDM BACKPLANE 8 ROW SIGNAL END SALES DRAWING		SHEET NO. 1 OF 2				
		3 PLACES $\pm 0.00$ mm $\pm$ INCH	CHECKED BY & DATE JLAURX 11/09/98	MOLEX INCORPORATED		SIZE B				
		2 PLACES $\pm 0.00$ mm $\pm$ INCH	APPROVED BY & DATE CBIXLER 11/09/98	CAD FILENAME SD-74061-002.DGN		MATERIAL NO. SEE SHEET 2				
1 PLACE $\pm 0.00$ mm $\pm$ INCH	ANGLAR: $\pm$ --- °	DRAFT WHERE APPLICABLE MUST REMAIN WITHIN DIMENSIONS		THIS DRAWING CONTAINS INFORMATION THAT IS PROPRIETARY TO MOLEX INCORPORATED AND SHOULD NOT BE USED WITHOUT WRITTEN PERMISSION.						



74061 - \* \* \* \*

NUMBER OF COLUMN  
10 OR 25

CONTACT LOAD  
(PIN LENGTH)  
1 & 6 = 4.75  
2 & 7 = 6.25  
3 & 8 = 4.25  
4 & 9 = 5.15



PART NUMBER	COLUMN	NUMBER OF SIGNAL PIN	NUMBER OF SHIELD	A	B	M	Au (um) THICKNESS	Sn (um) THICKNESS
74061-10*1		80	10	27.00	18.00	4.75	0.76	0.76-1.52
74061-10*6	10	80	10	27.00	18.00		1.27	
74061-25*1		200	25	57.00	48.00	6.25	0.76	
74061-25*6	25	200	25	57.00	48.00		1.27	
74061-10*2		80	10	27.00	18.00	4.25	0.76	
74061-10*7	10	80	10	27.00	18.00		1.27	
74061-25*2		200	25	57.00	48.00	5.15	0.76	
74061-25*7	25	200	25	57.00	48.00		1.27	
74061-10*3		80	10	27.00	18.00	4.25	0.76	
74061-10*8	10	80	10	27.00	18.00		1.27	
74061-25*3		200	25	57.00	48.00	4.25	0.76	
74061-25*8	25	200	25	57.00	48.00		1.27	
74061-10*4		80	10	27.00	18.00	5.15	0.76	
74061-10*9	10	80	10	27.00	18.00		1.27	
74061-25*4		200	25	57.00	48.00	5.15	0.76	
74061-25*9	25	200	25	57.00	48.00		1.27	

REVISIONS: REVISED - PER FREE NOTE

EC NO. UCP2005-0451  
 DRWN: JMYCZEK 04/08/25  
 CHK: SREED 04/08/25  
 APPR: SREED 04/08/25

QUALITY SYMBOLS:  
 MAJOR = 0  
 CRITICAL = 2

GENERAL TOLERANCES: (UNLESS SPECIFIED)  
 mm INCH

SCALE 2.5:1  
 DESIGN UNITS:  mm  INCH

THIRD ANGLE PROJECTION

DIMENSIONS:  mm  INCH  mm ONLY

SHT REV  
 REVISE ON CAD ONLY

DRAWN BY & DATE: MWANG 11/09/98  
 CHECKED BY & DATE: JLAURX 11/09/98  
 APPROVED BY & DATE: CBIXLER 11/09/98

TITLE: VHDM BACKPLANE 8 ROW SIGNAL END SALES DRAWING

MOLEX INCORPORATED

CAD FILENAME: SD-74061-002.DGN  
 MATERIAL NO. SEE SHEET 2  
 DRAWING NO. SD-74061-002  
 SHEET NO. 2

DRAFT WHERE APPLICABLE MUST REMAIN WITHIN DIMENSIONS

THIS DRAWING CONTAINS INFORMATION THAT IS PROPRIETARY TO MOLEX INCORPORATED AND SHOULD NOT BE USED WITHOUT WRITTEN PERMISSION.

SIZE B