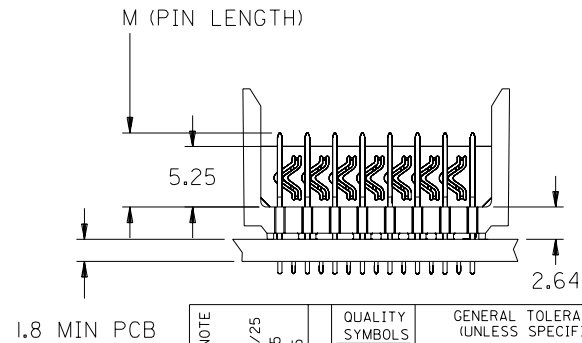
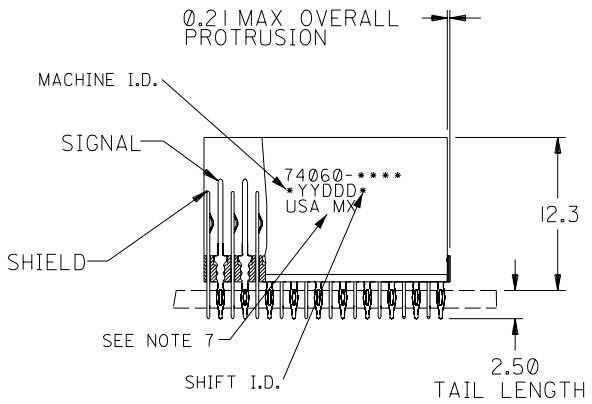


BACKPLANE HOLE PATTERN
RECOMMENDED DIMENSION



NOTES:

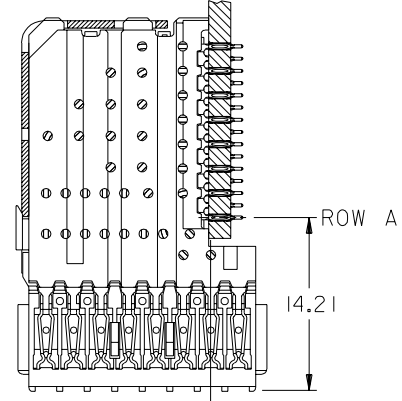
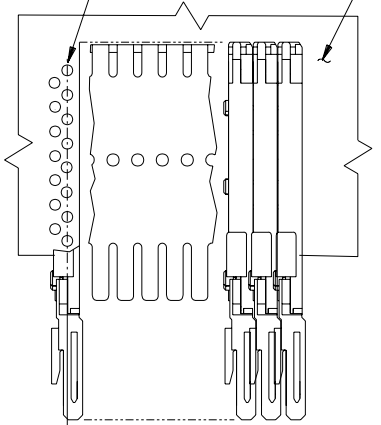
- MATERIALS:
HOUSING - LIQUID CRYSTAL POLYMER (LCP),
GLASS-FILLED, UL 94V-0, COLOR: BLACK.
SIGNAL PIN & SHIELD - COPPER ALLOY.
- FINISHES:
SELECTIVE GOLD (Au) IN CONTACT AREA;
SELECTIVE MATTE TIN (Sn) ON PCB TAILS AND
NICKEL (Ni) OVERALL.
- THIS PART CONFORMS TO MOLEX
PRODUCT SPECIFICATION PS-74031-999
- FOR MIXED CONTACT MATING LENGTHS.
CONSULT MOLEX FOR AVAILABILITY.
- FOR SPECIFIC MATERIAL NUMBERS
AND MATING INFORMATION REFER TO
SHEET 2.
- PACKAGE PER PK-74060-003.
- EITHER MARK PARTS WITH PART NUMBER AND DATE CODE
APPROXIMATELY WHERE SHOWN OR PLACE LABEL ON THE TUBE.

I	H
I	H
SHT	REV
REVISE ON CAD ONLY	

REVISED - Pd FREE NOTE EC NO. LCP2005-0451 DRWN: JMYCZEK 04/08/25 CHK: SREED 04/08/25 APPR: SREED 04/08/25	QUALITY SYMBOLS MAJOR CRITICAL	GENERAL TOLERANCES: (UNLESS SPECIFIED)		SCALE 2.5:1	DESIGN UNITS <input checked="" type="checkbox"/> mm <input type="checkbox"/> INCH	THIRD ANGLE PROJECTION	DIMENSIONS: <input type="checkbox"/> mm <input type="checkbox"/> INCH <input checked="" type="checkbox"/> mm ONLY		SHEET NO. 1 OF 2
		mm INCH	DRAWN BY & DATE MWANG 11/09/98	TITLE: VHDM BACKPLANE 8 ROW OPEN END SALES DRAWING		SHEET NO. 1 OF 2			
		4 PLACES ±0.--- ±. 3 PLACES ±0.--- ±. 2 PLACES ±0.--- ±. 1 PLACE ±0.--- ±.	CHECKED BY & DATE JLAURX 11/09/98	MOLEX INCORPORATED					
		ANGLAR: ± --- °	APPROVED BY & DATE CBIXLER 11/09/98	CAD FILENAME SD-74060-002.DGN	MATERIAL NO. SEE SHEET 2	DRAWING NO. SD-74060-002	SIZE B		

10 9 8 7 6 5 4 3 2 74060

SIGNAL COLUMN
DAUGHTERCARD CONNECTOR SIDE

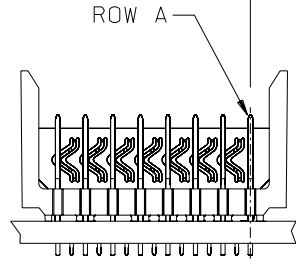
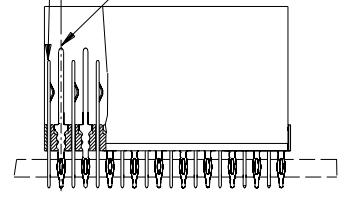


PART NUMBER	COLUMN	NUMBER OF SIGNAL PIN	NUMBER OF SHIELD	A	B	M	Au (um) THICKNESS	Sn (um) THICKNESS
74060-1001	10	80	10	20.00	18.00	4.75	0.76	0.76-1.52
74060-1006							1.27	
74060-2501	25	200	25	50.00	48.00		0.76	
74060-2506							1.27	
74060-1002	10	80	10	20.00	18.00	6.25	0.76	
74060-1007							1.27	
74060-2502	25	200	25	50.00	48.00		0.76	
74060-2507							1.27	
74060-1003	10	80	10	20.00	18.00	4.25	0.76	
74060-1008							1.27	
74060-2503	25	200	25	50.00	48.00		0.76	
74060-2508							1.27	
74060-1004	10	80	10	20.00	18.00	5.15	0.76	
74060-1009							1.27	
74060-2504	25	200	25	50.00	48.00		0.76	
74060-2509							1.27	

TOP OF DAUGHTERCARD PCB TO C OF ROW A

Ø.41 OFFSET SIGNAL TO SIGNAL

SHIELD SIGNAL



REVISED - Pb FREE NOTE EC NO. UCP2005-0451 DRWN: JMYCZEK 04/08/25 CHK: SREED 04/08/25 APPR: SREED 04/08/25	QUALITY SYMBOLS MAJOR = 0 CRITICAL = 0	GENERAL TOLERANCES: (UNLESS SPECIFIED)	SCALE <input checked="" type="checkbox"/> mm <input type="checkbox"/> INCH	DESIGN UNITS <input checked="" type="checkbox"/> mm <input type="checkbox"/> INCH	DIMENSIONS: <input type="checkbox"/> mm <input type="checkbox"/> INCH <input checked="" type="checkbox"/> mm ONLY	SHT REV REVISE ON CAD ONLY
	DESCRIPTION	mm INCH	DRAWN BY & DATE MWANG 11/09/98	TITLE: VHDM BACKPLANE 8 ROW OPEN END SALES DRAWING		
	REV	4 PLACES ±0.--- ±. 3 PLACES ±0.--- ±. 2 PLACES ±0.--- ±. 1 PLACE ±0.--- ±. ANGULAR: ± -- °	CHECKED BY & DATE JLAURX 11/09/98	MOLEX INCORPORATED		
	H	DRAFT WHERE APPLICABLE MUST REMAIN WITHIN DIMENSIONS	APPROVED BY & DATE CBIXLER 11/09/98	CAD FILENAME SD-74060-002.DGN	MATERIAL NO. SEE CHART	DRAWING NO. SD-74060-002

THIS DRAWING CONTAINS INFORMATION THAT IS PROPRIETARY TO MOLEX INCORPORATED AND SHOULD NOT BE USED WITHOUT WRITTEN PERMISSION.