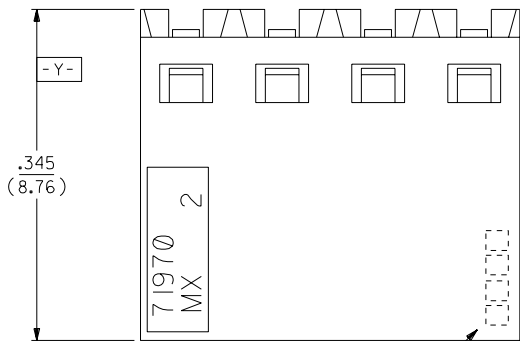
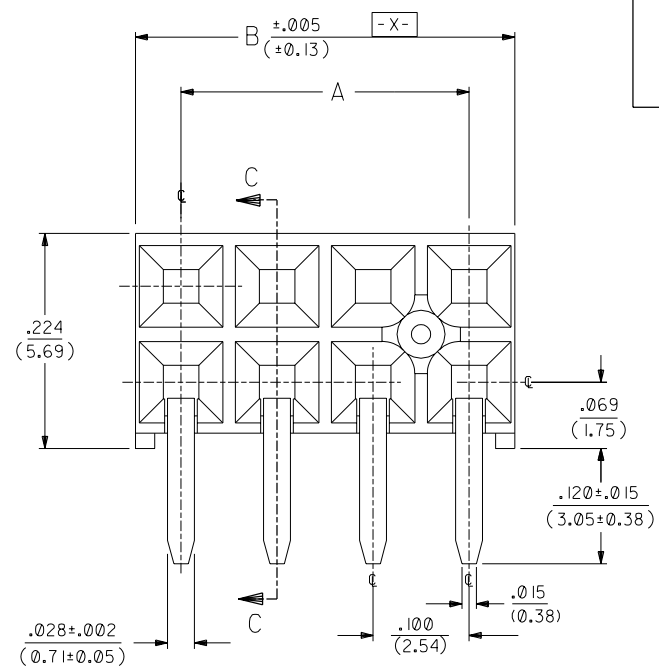


NOTE FOR LEAD FREE CONVERSION:

THE PRIMARY SHIPPING CARTON WILL BE LABELED "COMPLIANT TO ROHS DIRECTIVE 2002/95/EC AND ELV ANNEX II OF DIRECTIVE 2000/53/EC". CARTONS WITHOUT THIS LABEL MAY CONTAIN PRODUCT WITH LEAD.

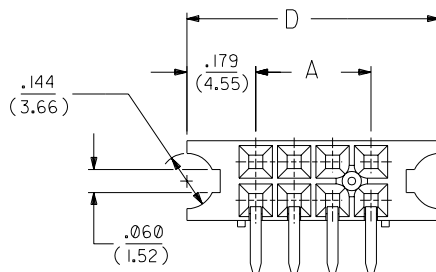
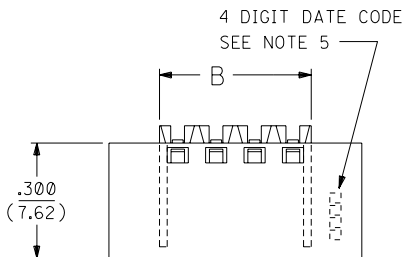


4 DIGIT DATE CODE
SEE NOTE 5



⊕ ∅ .015 ⊖ TAIL TO TAIL
⊕ ∅ .020 ⊖ X ⊖ Y ⊖ TAIL TO INSULATOR

OPTION "A" ASSEMBLY
STANDARD HOUSING



OPTION "B" ASSEMBLY

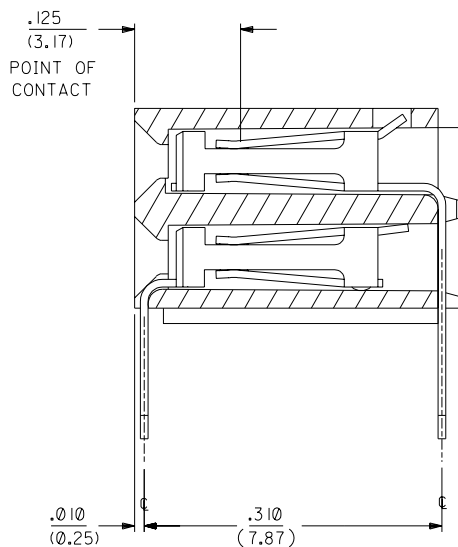
STD. HOUSING W/MOUNTING EARS

SCALE 4:1

REFER TO OPT. A FOR ALL OTHER INFORMATION

OPTION "J" ASSEMBLY

OPTION "J" IS THE SAME AS OPTION "B" EXCEPT DATE CODE IS NOT STAMPED ON HOUSING.



SECTION C-C

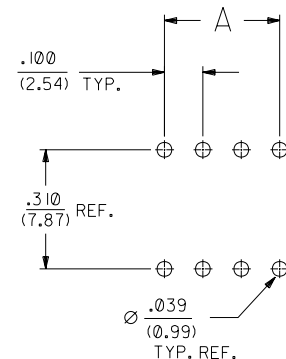
71973

NOTES:

- 1.) MATERIAL -
INSULATOR - LCP, UL 94V-0, COLOR BLACK
CONTACTS - PHOSPHOR BRONZE
- 2.) SEE SHT. 5 & 6 FOR CHART DIMENSIONS AND EDP NO.'S
- 3.) RECOMMENDED MATING PIN LENGTH:
LOWER ROW - .200" MIN., .285" MAX.
UPPER ROW - .200" MIN.
- 4.) REFER TO PRODUCT SPECIFICATION PS-71973-9999 FOR PERFORMANCE DATA
- 5.) MANUFACTURED DATE CODE - YEAR, WEEK.
- 6.) PACKAGING: FOR THIS PRODUCT IN TUBES SEE SHT. 6 & 7
FOR THIS PRODUCT IN TRAYS SEE SHT. 8 & 9

FINISHES

- 15 GOLD .000015 MINIMUM GOLD PLATE IN SELECT AREA OVER .000050 MINIMUM NICKEL UNDERPLATE OVER-ALL WITH .000075 MINIMUM TIN PLATE IN SELECT AREA.
- 30 GOLD .000030 MINIMUM GOLD PLATE IN SELECT AREA OVER .000050 MINIMUM NICKEL UNDERPLATE OVER-ALL WITH .000075 MINIMUM TIN PLATE IN SELECT AREA.
- 50 GOLD .000050 MINIMUM GOLD PLATE IN SELECT AREA OVER .000050 MINIMUM NICKEL UNDERPLATE OVER-ALL WITH .000100 MINIMUM TIN PLATE IN SELECT AREA.



RECOMMENDED P.C.B.
LAYOUT

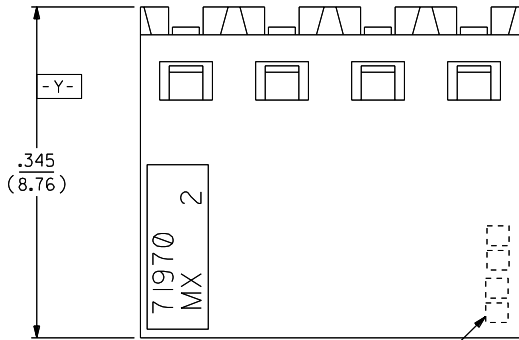
SCALE 4:1

22	H		
21	H	H	LEAD FREE CONV ECN UCP2004-2133 RKADAMS 04/04/27
20	H	G	ADD: -9999 TO PS ECR# U2000-0973
19	H	H	JG12OWSK1 00/05/24
18	H	F2	CHG PLT OPT "J" ECR# U7-0498
17	H	F2	MCFARLAN 96/10/30
16	H		
15	H	F1	ADDED OPT. "J" PER U51300
14	H		95/06/29 RB
13	H	F	ADDED OPT. "I" PER ECR # U50914
12	H		03/28/95 CAC
11	H	E	ADD RETENT DIMPLE PER U30344
10	H		04/02/93 MURPHY
9	H	D	DEL GPAX ADD TRAYS PER ECR U20889
8	H		10/29/92 MURPHY
7	H	C	REV. PKG. REL EDP5 PER ECR U2 0374
6	H		03/05/92 MURPHY
5	H	B1	REL. -1204/1265 PER ECR U2 0282
4	H		02/20/92 MURPHY
3	H	B	REDIM. TRUE POS. PER ECR U12321
2	H		01/13/92 MURPHY
1	H	A	RENAMED DWG. NO. PER ECR U11813
			10-21-91 MURPHY

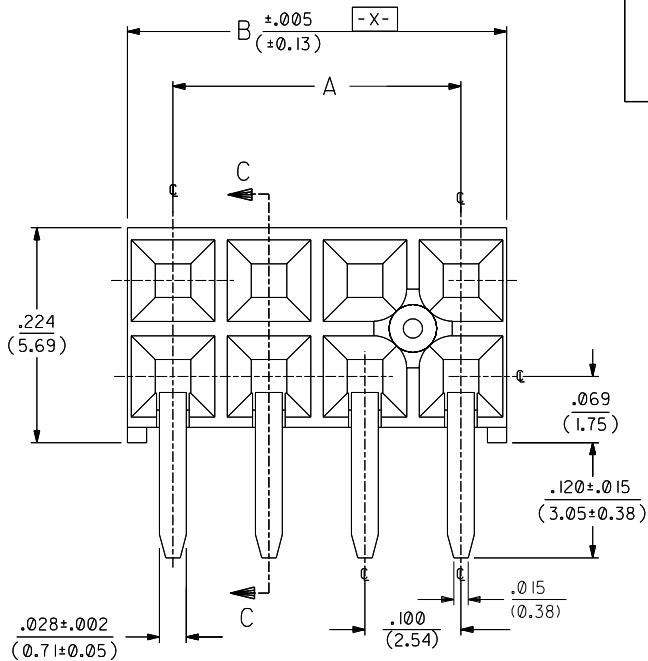
DIMENSIONS SHOWN (METRIC) INCH UNLESS OTHERWISE SPECIFIED TOLERANCES: ANGULAR ± 1/2°		▽ = 0 ▽ = 0	REVISE ONLY ON CAD SYSTEM
3 PLACE ± --- --- 2 PLACE ± .01 ± --- 1 PLACE --- ± 0.25		TITLE RECTANGLE-RIGHT ANGLE .120" PC TAIL, WITHOUT LOWER ROW PINSTOP - .100" GRID	
DRAFT WHERE APPLICABLE MUST REMAIN WITHIN DIMENSIONS		MOLEX INCORPORATED U.S.A. DATE 10/21/91	
PART NO. SHTS 6-9		DRWG. NO. SDA-71973-****	
DRWG. BY: DJB	CHK'D. BY: DJB	FILE NAME: S7197351	THIS DRAWING CONTAINS INFORMATION THAT IS PROPRIETARY TO MOLEX INC. AND SHOULD NOT BE USED WITHOUT WRITTEN PERMISSION
APP'D. BY: MJM	SCALE: 10:1	DRN. NO. 10:1	SIZE: TC

NOTE FOR LEAD FREE CONVERSION:

THE PRIMARY SHIPPING CARTON WILL BE LABELED "COMPLIANT TO ROHS DIRECTIVE 2002/95/EC AND ELV ANNEX II OF DIRECTIVE 2000/53/EC". CARTONS WITHOUT THIS LABEL MAY CONTAIN PRODUCT WITH LEAD.



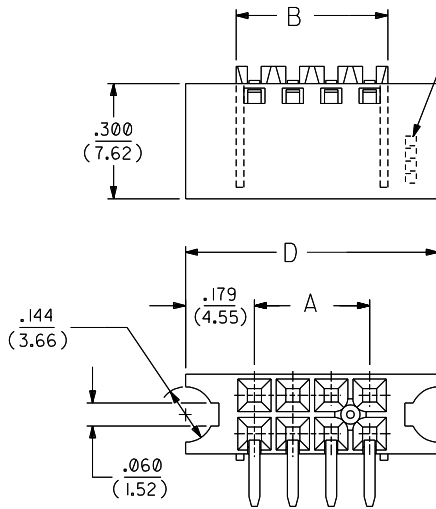
4 DIGIT DATE CODE
SEE NOTE 5



⊕ ∅.015 ⊙ TAIL TO TAIL
⊕ ∅.020 ⊙ X ⊙ Y ⊙ TAIL TO INSULATOR

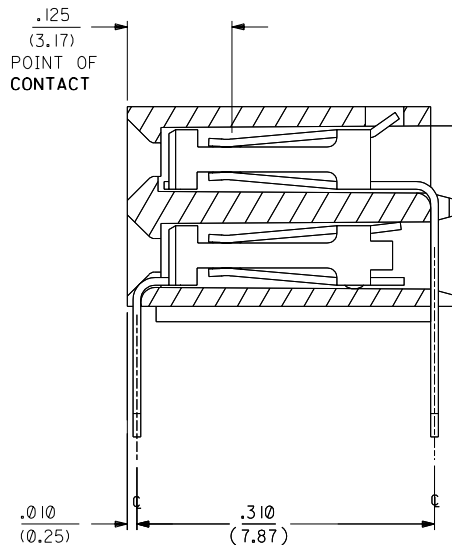
OPTION "E" ASSEMBLY
STANDARD HOUSING

4 DIGIT DATE CODE
SEE NOTE 5



OPTION "F" ASSEMBLY
STD. HOUSING W/MOUNTING EARS
AND LOWER ROW PINSTOP
SCALE 4:1

REFER TO OPT. E FOR ALL OTHER INFORMATION



SECTION C-C

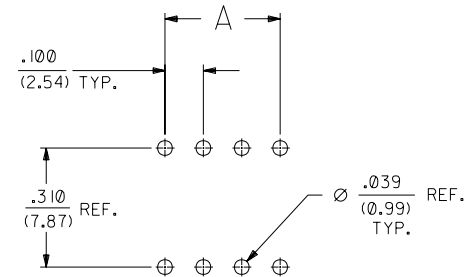
71973

NOTES:

- 1.) MATERIAL-
INSULATOR - LCP, UL 94V-0, COLOR BLACK
CONTACTS - PHOSPHOR BRONZE
- 2.) SEE SHT. 13 & 14 FOR CHART DIMENSIONS AND EDP NO.'S
- 3.) RECOMMENDED MATING PIN LENGTH:
LOWER ROW - .200" MIN., .250" MAX.
UPPER ROW - .200" MIN.
- 4.) REFER TO PRODUCT SPECIFICATION PS-71973-9999 FOR PERFORMANCE DATA
- 5.) MANUFACTURED DATE CODE - YEAR, WEEK.
- 6.) PACKAGING: FOR THIS PRODUCT IN TUBES SEE SHT. 14 & 15
FOR THIS PRODUCT IN TRAYS SEE SHT. 16 & 17

FINISHES

- 15 GOLD .000015 MINIMUM GOLD PLATE IN SELECT AREA OVER .000050 MINIMUM NICKEL UNDERPLATE OVER-ALL WITH .000075 MINIMUM TIN PLATE IN SELECT AREA.
- 30 GOLD .000030 MINIMUM GOLD PLATE IN SELECT AREA OVER .000050 MINIMUM NICKEL UNDERPLATE OVER-ALL WITH .000075 MINIMUM TIN PLATE IN SELECT AREA.
- 50 GOLD .000050 MINIMUM GOLD PLATE IN SELECT AREA OVER .000050 MINIMUM NICKEL UNDERPLATE OVER-ALL WITH .000100 MINIMUM TIN PLATE IN SELECT AREA.



RECOMMENDED P.C.B. LAYOUT
SCALE 4:1

H	SEE SHEET I
G	SEE SHEET I
F	SEE SHEET I

DIMENSIONS SHOWN (METRIC) INCH		▽ = 0		▽ = 0		REVISE ONLY ON CAD SYSTEM	
UNLESS OTHERWISE SPECIFIED TOLERANCES: ANGULAR ± 1/2°		INCH		METRIC		TITLE	
5 PLACE	± ---	---	---	RECEPTACLE-RIGHT ANGLE			
2 PLACE	± .01	± ---	---	.120 PC TAIL, WITH LOWER			
1 PLACE	---	± 0.25	---	ROW PINSTOP - 100 GRID			
DRAFT WHERE APPLICABLE MUST REMAIN WITHIN DIMENSIONS		PART NO.		SHEET NO.		DATE	
DRWG. BY: DJB		CHK'D. BY: DJB		MOLEX INCORPORATED		10/21/91	
APP'D. BY: MJM		SCALE: 10:1		68532		U.S.A.	
FILE NAME: 57197353		THIS DRAWING CONTAINS INFORMATION THAT IS PROPRIETARY TO MOLEX INC. AND SHOULD NOT BE USED WITHOUT WRITTEN PERMISSION.		SDA-71973-****		TC	

NO. OF CKTS		OPTION E ASSEMBLY PACKAGED IN TUBES PER PK-70873-0138 (SEE SHEET I FOR FINISH SPECIFICATIONS)					DIMENSION		
PER ROW	TOTAL	15 GOLD	30 GOLD	50 GOLD	A	B			
4	8	71973-3404	71973-3504	71973-3604	.300 (7.62)	.395 (10.03)			
5	10	71973-3405	71973-3505	71973-3605	.400 (10.16)	.495 (12.57)			
6	12	71973-3406	71973-3506	71973-3606	.500 (12.70)	.595 (15.11)			
7	14	71973-3407	71973-3507	71973-3607	.600 (15.24)	.695 (17.65)			
8	16	71973-3408	71973-3508	71973-3608	.700 (17.78)	.795 (20.19)			
9	18	71973-3409	71973-3509	71973-3609	.800 (20.32)	.895 (22.73)			
10	20	71973-3410	71973-3510	71973-3610	.900 (22.86)	.995 (25.27)			
11	22	71973-3411	71973-3511	71973-3611	1.000 (25.40)	1.095 (27.81)			
12	24	71973-3412	71973-3512	71973-3612	1.100 (27.94)	1.195 (30.35)			
13	26	71973-3413	71973-3513	71973-3613	1.200 (30.48)	1.295 (32.89)			
14	28	71973-3414	71973-3514	71973-3614	1.300 (33.02)	1.395 (35.43)			
15	30	71973-3415	71973-3515	71973-3615	1.400 (35.56)	1.495 (37.97)			
16	32	71973-3416	71973-3516	71973-3616	1.500 (38.10)	1.595 (40.51)			
17	34	71973-3417	71973-3517	71973-3617	1.600 (40.64)	1.695 (43.05)			
18	36	71973-3418	71973-3518	71973-3618	1.700 (43.18)	1.795 (45.59)			
19	38	71973-3419	71973-3519	71973-3619	1.800 (45.72)	1.895 (48.13)			
20	40	71973-3420	71973-3520	71973-3620	1.900 (48.26)	1.995 (50.67)			
21	42	71973-3421	71973-3521	71973-3621	2.000 (50.80)	2.095 (53.21)			
22	44	71973-3422	71973-3522	71973-3622	2.100 (53.34)	2.195 (55.75)			
23	46	71973-3423	71973-3523	71973-3623	2.200 (55.88)	2.295 (58.29)			
24	48	71973-3424	71973-3524	71973-3624	2.300 (58.42)	2.395 (60.83)			
25	50	71973-3425	71973-3525	71973-3625	2.400 (60.96)	2.495 (63.37)			
26	52	71973-3426	71973-3526	71973-3626	2.500 (63.50)	2.595 (65.91)			
27	54	71973-3427	71973-3527	71973-3627	2.600 (66.04)	2.695 (68.45)			
28	56	71973-3428	71973-3528	71973-3628	2.700 (68.58)	2.795 (70.99)			
29	58	71973-3429	71973-3529	71973-3629	2.800 (71.12)	2.895 (73.53)			
30	60	71973-3430	71973-3530	71973-3630	2.900 (73.66)	2.995 (76.07)			
31	62	71973-3431	71973-3531	71973-3631	3.000 (76.20)	3.095 (78.61)			
32	64	71973-3432	71973-3532	71973-3632	3.100 (78.74)	3.195 (81.15)			
33	66	71973-3433	71973-3533	71973-3633	3.200 (81.28)	3.295 (83.69)			

*X INDICATES TOOLING IS NOT AVAILABLE

NO. OF CKTS		OPTION E ASSEMBLY PACKAGED IN TUBES PER PK-70873-0138 (SEE SHEET I FOR FINISH SPECIFICATIONS)					DIMENSION		
PER ROW	TOTAL	15 GOLD	30 GOLD	50 GOLD	A	B			
34	68	71973-3434	71973-3534	71973-3634	3.300 (83.82)	3.395 (86.23)			
35	70	71973-3435	71973-3535	71973-3635	3.400 (86.36)	3.495 (88.77)			
36	72	71973-3436	71973-3536	71973-3636	3.500 (88.90)	3.595 (91.31)			
37	74	71973-3437	71973-3537	71973-3637	3.600 (91.44)	3.695 (93.85)			
38	76	71973-3438	71973-3538	71973-3638	3.700 (93.98)	3.795 (96.39)			
39	78	71973-3439	71973-3539	71973-3639	3.800 (96.52)	3.895 (98.93)			
40	80	71973-3440	71973-3540	71973-3640	3.900 (99.06)	3.995 (101.47)			
41	82	71973-3441	71973-3541	71973-3641	4.000 (101.60)	4.095 (104.01)			
42	84	71973-3442	71973-3542	71973-3642	4.100 (104.14)	4.195 (106.55)			
43	86	71973-3443	71973-3543	71973-3643	4.200 (106.68)	4.295 (109.09)			
44	88	71973-3444	71973-3544	71973-3644	4.300 (109.22)	4.395 (111.63)			
45	90	71973-3445	71973-3545	71973-3645	4.400 (111.76)	4.495 (114.17)			
46	92	71973-3446	71973-3546	71973-3646	4.500 (114.30)	4.595 (116.71)			
47	94	71973-3447	71973-3547	71973-3647	4.600 (116.84)	4.695 (119.25)			
48	96	71973-3448	71973-3548	71973-3648	4.700 (119.38)	4.795 (121.79)			
49	98	71973-3449	71973-3549	71973-3649	4.800 (121.92)	4.895 (124.46)			
50	100	71973-3450	71973-3550	71973-3650	4.900 (124.46)	4.995 (126.87)			
51	102	71973-3451	71973-3551	71973-3651	5.000 (127.00)	5.095 (129.41)			
52	104	71973-3452	71973-3552	71973-3652	5.100 (129.54)	5.195 (131.95)			
53	106	71973-3453	71973-3553	71973-3653	5.200 (132.08)	5.295 (134.49)			
54	108	71973-3454	71973-3554	71973-3654	5.300 (134.62)	5.395 (137.03)			
55	110	71973-3455	71973-3555	71973-3655	5.400 (137.16)	5.495 (139.57)			
56	112	71973-3456	71973-3556	71973-3656	5.500 (139.70)	5.595 (142.11)			
57	114	71973-3457	71973-3557	71973-3657	5.600 (142.24)	5.695 (144.65)			
58	116	71973-3458	71973-3558	71973-3658	5.700 (144.78)	5.795 (147.19)			
59	118	71973-3459	71973-3559	71973-3659	5.800 (147.32)	5.895 (149.73)			
60	120	71973-3460	71973-3560	71973-3660	5.900 (149.86)	5.995 (152.27)			
61	122	71973-3461	71973-3561	71973-3661	6.000 (152.40)	6.095 (154.81)			
62	124	71973-3462	71973-3562	71973-3662	6.100 (154.94)	6.195 (157.35)			
63	126	71973-3463	71973-3563	71973-3663	6.200 (157.48)	6.295 (159.89)			
64	128	71973-3464	71973-3564	71973-3664	6.300 (160.02)	6.395 (162.43)			
65	130	71973-3465	71973-3565	71973-3665	6.400 (162.56)	6.495 (164.97)			

UNLESS OTHERWISE SPECIFIED TOLERANCES: ANGULAR ± 1/2°

INCH		METRIC	
5 PLACE ±	---	---	---
2 PLACE ±	---	±	---
1 PLACE	---	±	---

DRAFT WHERE APPLICABLE MUST REMAIN WITHIN DIMENSIONS

DRG. BY: DJB CHK'D. BY: DATE:

APP'D. BY: SCALE:

REVISIONS LTR. REVISIONS LTR.

THIS DRAWING CONTAINS INFORMATION THAT IS PROPRIETARY TO MOLEX INC. AND SHOULD NOT BE USED WITHOUT WRITTEN PERMISSION.

RECEPTACLE-RIGHT ANGLE .120 PC TAIL, WITH LOWER ROW PINSTOP - .100 GRID

MOLEX INCORPORATED SHEET NO. 14 DATE 10/21/91

SEE CHART SDA-71973-****