

NOTES:

1) HOUSING MATERIAL:

"BLANK" - NYLON 6/6, U.L. 94V-2,
COLOR: NATURAL.
210 - NYLON 6/6, U.L. 94V-0,
COLOR: NATURAL.

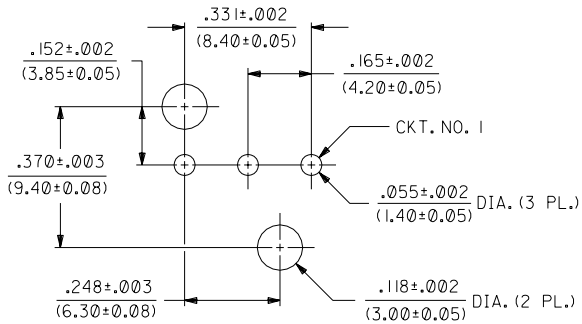
2) TERMINAL MATERIAL: BRASS ALLOY 260

3) TERMINAL PLATING:

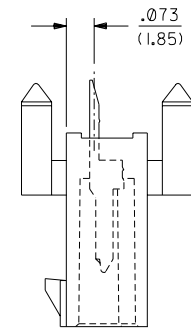
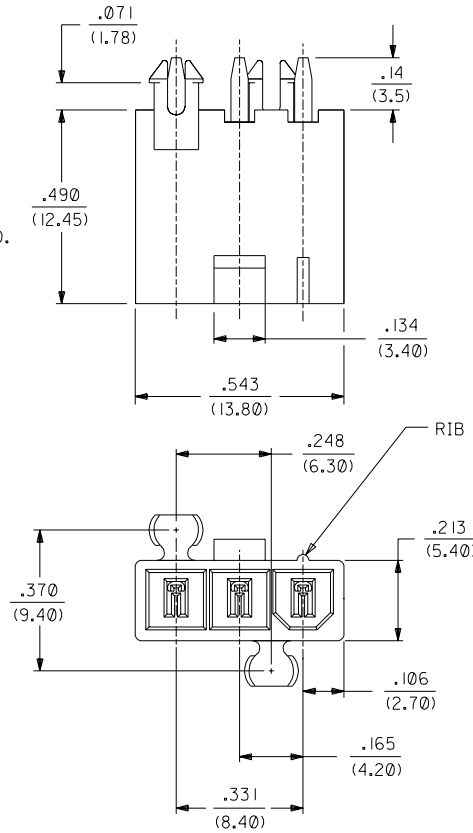
"BLANK" - .000035/(.00090) MIN. TIN OVER
.000020/(.00050) MIN. COPPER.
*GS2 - .000015/(.00038) MIN. SELECT GOLD AND
.000100/(.00254) MIN. SELECT MATTE TIN
OVER .000050/(.00127) MIN. NICKEL OVERALL.
*GS - .000030/(.00076) MIN. SELECT GOLD AND
.000100/(.00254) MIN. SELECT MATTE TIN
OVER .000050/(.00127) MIN. NICKEL OVERALL.
S - .000100/(.00254) MIN. TIN OVER
.000050/(.00127) MIN. NICKEL.

*THE PRIMARY SHIPPING CARTON WILL BE LABELED
"COMPLIANT TO RoHS DIRECTIVE 2002/95/EC AND
ELV ANNEX II OF DIRECTIVE 2000/53/EC."
CARTONS WITHOUT THIS LABEL MAY CONTAIN
PRODUCT WITH TIN-LEAD PLATING.

- 4) PART IS DESIGNED IN METRIC.
5) PART MATES WITH MINI-FIT JR. RECEPTACLE NO. 5557.
6) ALL DIMENSIONS ARE REFERENCE, UNLESS OTHERWISE SPECIFIED.
7) PRODUCT SPECIFICATION AND PROCESSING PARAMETERS:
SEE PS-5556-001



RECOMMENDED HOLE LAYOUT FOR
.070/(1.78) MAX. THICK P. C. BOARD



LEGEND

5566-03*3*-***

BASE NO. _____
CIRCUIT SIZE _____
ASS'Y. TYPE _____
MOUNTING _____
PLATING _____
HOUSING MATERIAL _____

A = WITHOUT DRAIN HOLES
B = WITH DRAIN HOLES
3 = PEGS
(SEE NOTE 3)

PART NO.	ENG. NO.	ASS'Y. TYPE	HOUSING MAT'L. (SEE NOTE 1)	PLATING (SEE NOTE 3)
39-30-1039	5566-03A3	A	"BLANK"	"BLANK"
39-30-2033	-03A3GS2	A	↑	GS2
39-30-2031	-03A3GS	A		GS
39-30-5037	-03A3S	A		S
39-30-2035	-03B3	B		"BLANK"
39-30-2039	-03B3GS2	B		GS2
39-30-2037	-03B3GS	B	↓	GS
39-30-5039	-03B3S	B	"BLANK"	S
39-30-2030	-03A3-210	A	210	"BLANK"
39-30-2034	-03A3GS2-210	A	↑	GS2
39-30-2032	-03A3GS-210	A		GS
39-30-5038	-03A3S-210	A		S
39-30-2036	-03B3-210	B		"BLANK"
39-30-3030	-03B3GS2-210	B		GS2
39-30-2038	-03B3GS-210	B	↓	GS
39-30-6030	5566-03B3S-210	B	210	S

DIMENSIONS SHOWN (METRIC) INCH UNLESS OTHERWISE SPECIFIED TOLERANCES: ANGULAR ± 1/2°		▽ = 0		▽ = 0		REVISE ONLY ON CAD SYSTEM	
3 PLACE ± .010		INCH		METRIC		TITLE	
2 PLACE ± .015 ± 0.25		---		---		MINI-FIT JR. VERT. HEADER ASSY. W/PEGS, WITH & W/O DRAIN HOLE (SINGLE ROW, 3 CKT. ONLY)	
1 PLACE -- ± 0.38		---		---		SHEET NO. DATE	
DRAFT WHERE APPLICABLE MUST REMAIN WITHIN DIMENSIONS		MOLEX INCORPORATED		U.S.A.		1 OF 1 6/ 7/90	
PART NO.		DRWG. NO.		SEE CHART		SDA-5566-03*3*	
DRWG. BY: GEP		CHK'D. BY: RJF		FILE NAME: 555663X1		THIS DRAWING CONTAINS INFORMATION THAT IS PROPRIETARY TO MOLEX INC. AND SHOULD NOT BE USED WITHOUT WRITTEN PERMISSION	
APPR'D. BY: RAS		SCALE: 4 : 1		DIV.:		SIZE:	