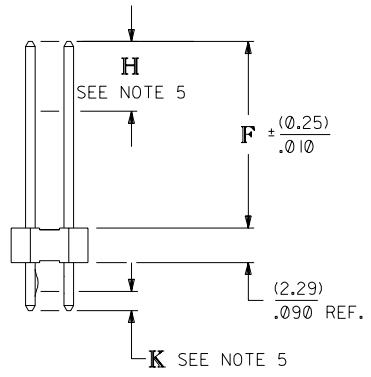
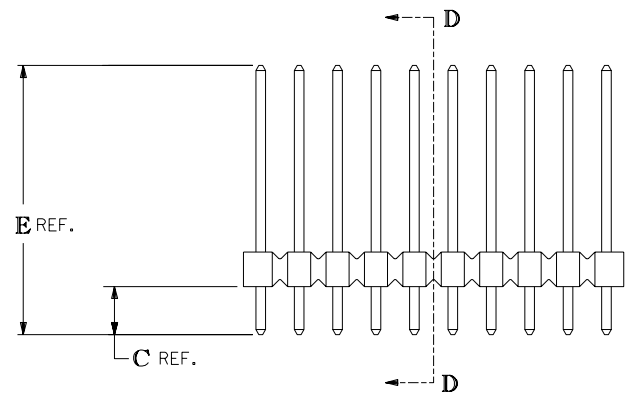


SECTION D-D - RETENTION PIN DETAIL  
2 CONTACTS LOCATED ON CENTER OF SAME ROW  
(SEE NOTE 6)

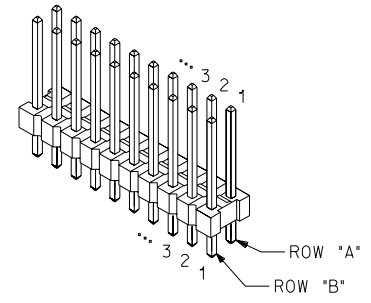


NO. OF CKTS.	DIM. A REF.		DIM. B REF.	
	MM	IN.	MM	IN.
4	2.54	.100	4.83	.190
6	5.08	.200	7.37	.290
8	7.62	.300	9.91	.390
10	10.16	.400	12.45	.490
12	12.70	.500	14.99	.590
14	15.24	.600	17.53	.690
16	17.78	.700	20.07	.790
18	20.32	.800	22.61	.890
20	22.86	.900	25.15	.990
22	25.40	1.000	27.69	1.090
24	27.94	1.100	30.23	1.190
26	30.48	1.200	32.77	1.290
28	33.02	1.300	35.31	1.390
30	35.56	1.400	37.85	1.490
32	38.10	1.500	40.39	1.590
34	40.64	1.600	42.93	1.690
36	43.18	1.700	45.47	1.790
38	45.72	1.800	48.01	1.890
40	48.26	1.900	50.55	1.990
42	50.80	2.000	53.09	2.090
44	53.34	2.100	55.63	2.190
46	55.88	2.200	58.17	2.290
48	58.42	2.300	60.71	2.390
50	60.96	2.400	63.25	2.490
52	63.50	2.500	65.79	2.590
54	66.04	2.600	68.33	2.690
56	68.58	2.700	70.87	2.790
58	71.12	2.800	73.41	2.890
60	73.66	2.900	75.95	2.990
62	76.20	3.000	78.49	3.090
64	78.74	3.100	81.03	3.190
66	81.28	3.200	83.57	3.290
68	83.82	3.300	86.11	3.390
70	86.36	3.400	88.65	3.490
72	88.90	3.500	91.19	3.590
74	91.44	3.600	93.73	3.690
76	93.98	3.700	96.27	3.790
78	96.52	3.800	98.81	3.890
80	99.06	3.900	101.35	3.990

**NOTES:**

- PIN PUSHOUT FORCE: 4 LBS. MIN. (IN EITHER DIRECTION)
- FOR ILLUSTRATION PURPOSES, 20 (DUAL 10) CIRCUIT SIZE IS SHOWN.
- PINS MUST MEET SOLDERABILITY SPEC. ES-152, EXCEPT VOIDS ARE PERMISSIBLE AT BANDOLIER PIN FAYING SURFACE. (APPROX. .025 LNG X .006 WD. REF.) - 2 LOCATIONS
- WAFER TO BE FLAT WITHIN (0.03 MM/CM)/.003 IN./IN.
- MEASURE POINT FOR PLATING THICKNESS.
- RETENTIVE TAIL LOCATIONS (SEE VIEW "A")

NUMBER OF CIRCUITS IN ROW B	RETENTIVE TAIL LOCATIONS
EVEN NUMBER	2 PINS IN THE MIDDLE OF ROW B
ODD NUMBER	PIN IN THE CENTER OF ROW B AND ONE OTHER PIN IN ROW B ON EITHER SIDE OF THE CENTER PIN

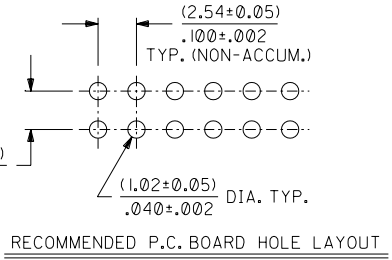


VIEW "A"

**PLATING:**

- TIN .000150 MINIMUM TIN OVER .000050 MINIMUM NICKEL PLATE.
- 15 GOLD .000015 MINIMUM GOLD PLATE IN SELECTED AREA, .000075 MINIMUM TIN IN SELECTED AREA, OVER .000050 MINIMUM NICKEL OVER-ALL.
- 30 GOLD .000030 MINIMUM GOLD PLATE IN SELECTED AREA, .000075 MINIMUM TIN IN SELECTED AREA, OVER .000050 MINIMUM NICKEL OVER-ALL.
- 15G/150T .000015 MINIMUM GOLD PLATE IN SELECTED AREA, .000150 MINIMUM TIN IN SELECTED AREA, OVER .000050 MINIMUM NICKEL OVER-ALL.

\*THE PRIMARY SHIPPING CARTON WILL BE LABELED "COMPLIANT TO RoHS DIRECTIVE 2002/95/EC AND ELV ANNEX II OF DIRECTIVE 2000/53/EC". CARTONS WITHOUT THIS LABEL MAY CONTAIN PRODUCT WITH LEAD.



RECOMMENDED P.C. BOARD HOLE LAYOUT

**MATERIAL:**

- WAFER - G.F. POLYESTER; 94V-0; COLOR: BLACK
- PIN - PHOSPHOR BRONZE

G	LEAD FREE UCP2004-1769 RWHITE 04/04/01
F	ADDED BLOCK TOL PER UDT2002-1391 RSFOX 02/05/22
E	ADDED VIEW A PER UDT2000-0570 ICARIKCI 01/05/09
D	VOIDED -0402/-0440 PER ECR NO U61668 SCARTH 97/02/05
C2	CHANGED PKG SPEC PER ECR NO U61668 07/03/96 WGM
C1	ADDED -0442/-0520 PER ECR NO U61668 04/01/96 BJS
C	REMOVED 2 CKT PER ECR U50792 02/08/95 CAC
B	VOIDED -0241/-0280 PER ECR U40417 03/28/94 BRINKMAN REED
AI	ADDED -0401/0440 PER ECR U40417 03/28/94 BRINKMAN REED
A	RELEASED PER ECR U30843 06/02/93 REED

DIMENSIONS SHOWN (METRIC) INCH UNLESS OTHERWISE SPECIFIED TOLERANCES: ANGULAR ± 1/2°		▽ = 0 ▼ = 0 REVISIONS ONLY ON CAD SYSTEM									
<table border="1"> <tr> <th>INCH</th> <th>METRIC</th> </tr> <tr> <td>3 PLACE ± .005</td> <td>---</td> </tr> <tr> <td>2 PLACE ± .01</td> <td>± 0.13</td> </tr> <tr> <td>1 PLACE ---</td> <td>± 0.25</td> </tr> </table>		INCH	METRIC	3 PLACE ± .005	---	2 PLACE ± .01	± 0.13	1 PLACE ---	± 0.25	TITLE <b>SALES ASSY-DUAL ROW WAFER</b> .025 SQ. PINS/.100 GRID W/RETENTION PINS ON CENTER MOLEX INCORPORATED LISLE, ILL. 60532 U.S.A.	
INCH	METRIC										
3 PLACE ± .005	---										
2 PLACE ± .01	± 0.13										
1 PLACE ---	± 0.25										
DRAFT WHERE APPLICABLE MUST REMAIN WITHIN DIMENSIONS DRWG. BY: SMR CHK'D. BY: SMR APP'D. BY: SCALE 4 : 1		SHEET NO. DATE 1 OF 3 06/02/93 PART NO. DRWG. NO. SEE CHART SDA-70287-0001-5000									
FILE NAME: 570287X1 THIS DRAWING CONTAINS INFORMATION THAT IS PROPRIETARY TO MOLEX INC. AND SHOULD NOT BE USED WITHOUT WRITTEN PERMISSION.		DIV. SIZE DA   C									

