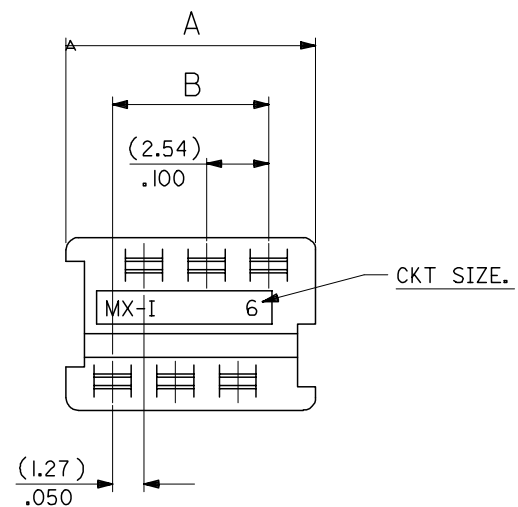


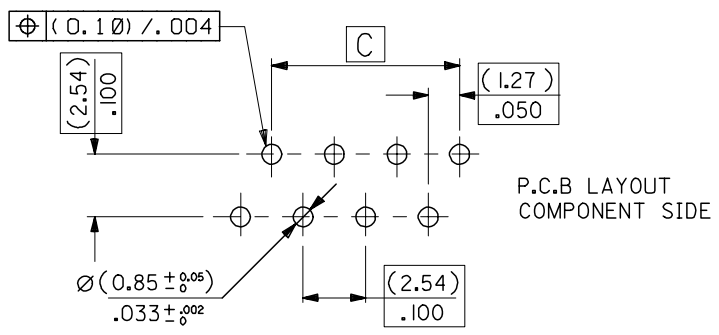
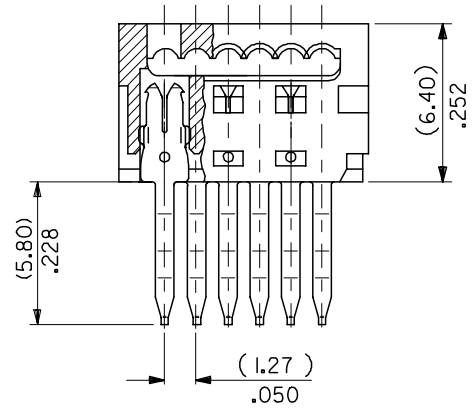
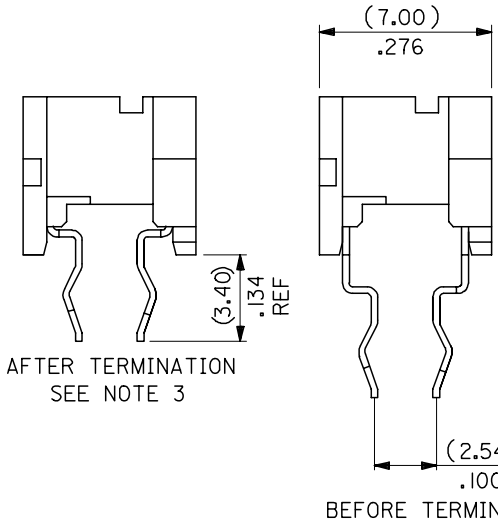
90584	***26	26	(35.53)/1.399	(31.75)/1.250	(30.48)/1.200	14	98	7
	***24	24	(32.99)/1.299	(29.21)/1.150	(27.94)/1.100	15	105	
	***22	22	(30.45)/1.199	(26.67)/1.050	(25.40)/1.000	16	112	
	***20	20	(27.91)/1.099	(24.13)/.950	(22.86)/.900	18	126	
	***18	18	(25.37)/.999	(21.59)/.850	(20.32)/.800	20	140	
	***16	16	(22.83)/.899	(19.05)/.750	(17.78)/.700	23	161	
	***14	14	(20.29)/.799	(16.51)/.650	(15.24)/.600	26	182	
	***12	12	(17.75)/.699	(13.97)/.550	(12.70)/.500	30	210	
	***10	10	(15.21)/.599	(11.43)/.450	(10.16)/.400	34	238	
	***08	8	(12.67)/.499	(8.89)/.350	(7.62)/.300	42	294	
	***06	6	(10.13)/.399	(6.35)/.250	(5.08)/.200	54	378	
90584	***04	4	(7.59)/.299	(3.81)/.150	(2.54)/.100	70	490	7
PART NO.	CCT SIZE	DIMENSION A	DIMENSION B	DIMENSION C	TUBE QTY	STACK QTY	TUBES PER STACK	



HOUSING
MATL. POLYESTER, RATED UL 94V-0, COLOUR WHITE.

IDT CONTACT
MATL : PHOSPHOR BRONZE (0.28)/.011 REF THICK.
PLATING : (2-4um) / 80-160u" TIN

- NOTES:**
- APPL. CLASS TO DIN 40040 HME (-25°C/+100°C)
 - SEE PRODUCT SPECIFICATION PS-99020-0011
 - WIRE TERMINATION SPEC : ES-99033-0002
- 90584- * * * *
04 TO 26 = CKT SIZE.
3= NO CIRCUITS VOIDED.
4= CIRCUITS 4 & 5 VOIDED.
1= INDIVIDUAL TUBED ASSY
2= STACKED TUBED ASSY - SEE SHEET 2
9= NON STANDARD OPTION - SEE SHEET 3



ADD VOIDED OPTION EC NO: E2005-1077 DRAWN: GMSWEEEN 2005/05/10 CHKD: DMORLARTY 2005/05/10 APPR: J DENNEY 2005/05/26	QUALITY SYMBOLS ▽=0 ▽=0	GENERAL TOLERANCES (UNLESS SPECIFIED)		DIMENSION STYLE MM/IN	SCALE 5:1	DESIGN UNITS METRIC	THIRD ANGLE PROJECTION
		4 PLACES ± --- ± ---	3 PLACES ± --- ± ---	2 PLACES ± 0.10 ± ---	1 PLACE ± 0.20 ± ---	ANGULAR ± 1/2°	DRAWN BY DMCNAMAR 2003/09/01
M	REV	DRAFT WHERE APPLICABLE MUST REMAIN WITHIN DIMENSIONS		SEE CHART	APPROVED BY MWILHITE 2003/09/01	DATE 2003/09/01	MOLEX INCORPORATED
		SIZE A3		THIS DRAWING CONTAINS INFORMATION THAT IS PROPRIETARY TO MOLEX INCORPORATED AND SHOULD NOT BE USED WITHOUT WRITTEN PERMISSION		MATERIAL NO.	DOCUMENT NO. SDA-90584

10 9 8 7 6 5 4 3 2 1

F F

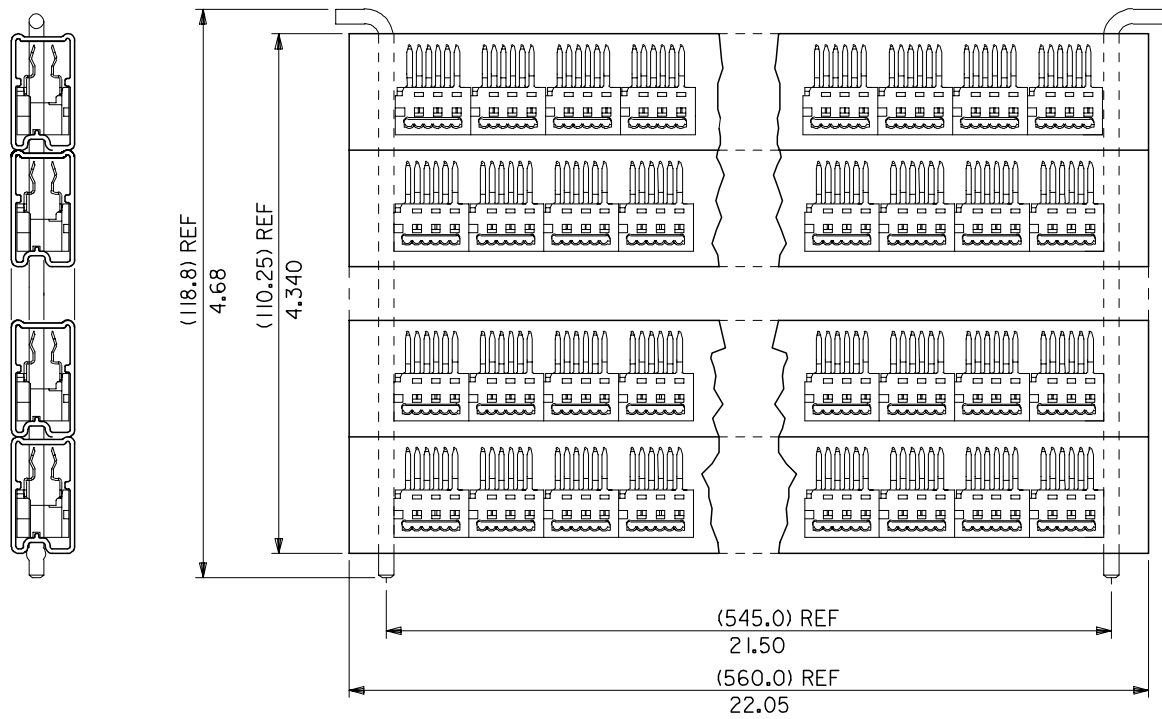
E E

D D

C C

B B

A A



STACKED TUBED ASSEMBLY

REVISION UPDATE EC NO: E2005-1027 DRAWN:GMSWEEN 2005/05/10 CHKD:DMORIARTY 2005/05/10 APPR: JDENNEHY 2005/05/26	QUALITY SYMBOLS 	GENERAL TOLERANCES (UNLESS SPECIFIED)		DIMENSION STYLE MM/IN	SCALE NTS	DESIGN UNITS METRIC	THIRD ANGLE PROJECTION		
		4 PLACES ± --- ± ---	3 PLACES ± --- ± .010	DRAWN BY PW	DATE 1994/02/25	TITLE 1.27MM PF LOW PRO IDT BOARD-IN CONNECTOR			
		2 PLACES ± 0.25 ± ---	1 PLACE ± --- ± ---	CHECKED BY DMORIARTY	DATE 2005/05/06	MOLEX INCORPORATED			
		ANGULAR ± 2 °		APPROVED BY JDENNEHY	DATE 2005/05/10	MATERIAL NO.	DOCUMENT NO. SDA-90584	SHEET NO. 2 OF 3	
DRAFT WHERE APPLICABLE MUST REMAIN WITHIN DIMENSIONS		SEE SHEET 1		THIS DRAWING CONTAINS INFORMATION THAT IS PROPRIETARY TO MOLEX INCORPORATED AND SHOULD NOT BE USED WITHOUT WRITTEN PERMISSION					

9 8 7 6 5 4 3 2 1