

AFTER TERMINATION
(CABLE NOT SHOWN)

NOTES:

- MATERIAL:**
PLUG HOUSING: POLYESTER (PBT), GLASS FILLED, UL 94V-0, COLOR: BLACK.
CONTACT: PHOSPHOR BRONZE, SHIELDED: STEEL
UPPER HOUSING: GLASS FILLED PBT; UL 94V-0.
- FINISH:** TERMINALS AND SHIELD - SEE LIST BELOW.
- REFER TO PS-79058 PRODUCT SPEC FOR ELECTRICAL, MECHANICAL AND ENVIRONMENTAL SPECIFICATIONS.
- PACKAGING:**
SUBASSEMBLY SUPPLIED IN TUBES AND UPPER HOUSING SUPPLIED BULK PER PK-70873-0205.
- RECOMMENDED WIRE:** 28 AWG STRANDED PVC INSULATED.
.034/(0.86) MIN. TO .036/(0.91) MAX. DIA. OVER INSULATION.
.023/(0.58) MIN. TO .025/(0.64) MAX. DIA. OVER INSULATION.
- REFER TO SHEET 2 FOR CHARTED MATERIALS LIST.
- TERMINATION HEIGHT FOR APPLICATION TOOLING SETUP.

TERMINAL FINISH:

SELECTIVE GOLD: THICKNESS= 30 MICROINCHES/(0.76 MICROMETERS) MINIMUM.
SELECTIVE TIN: THICKNESS= 75 MICROINCHES/(1.90 MICROMETERS) MINIMUM.
NICKEL UNDERPLATE OVERALL.

SHIELD FINISH:

BRIGHT NICKEL OVERALL:
THICKNESS = 100 MICROINCHES/(2.54 MICROMETERS) MINIMUM.
OVER COPPER FLASH (OPTIONAL).

PLUG SUBASSEMBLY

NOTE FOR LEAD FREE CONVERSION:
THE PRIMARY SHIPPING CARTON WILL BE LABELED "COMPLIANT TO RoHS DIRECTIVE 2002/95/EC AND ELV ANNEX II OF DIRECTIVE 2000/53/EC". CARTONS WITHOUT THIS LABEL MAY CONTAIN PRODUCT WITH LEAD.

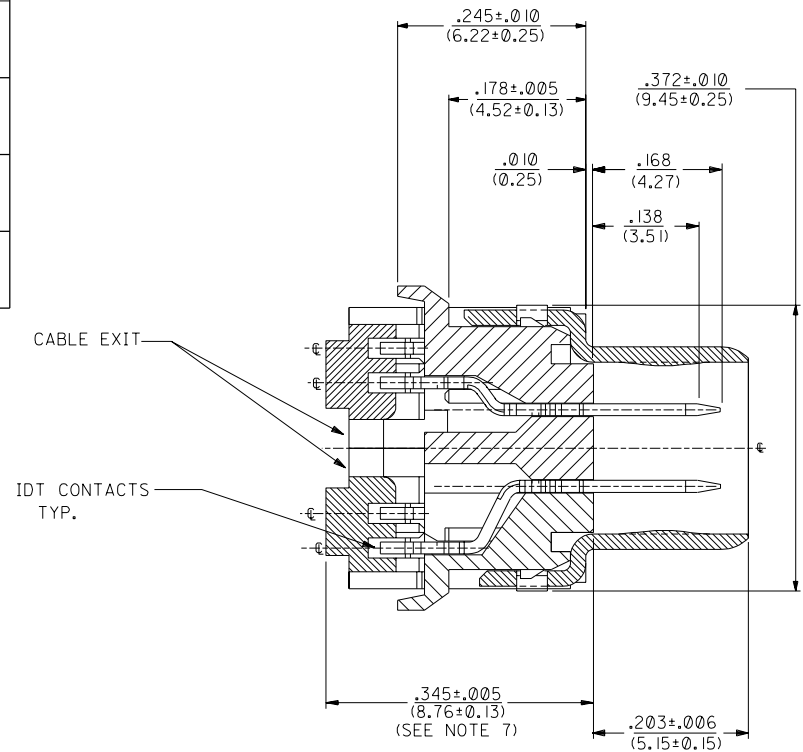
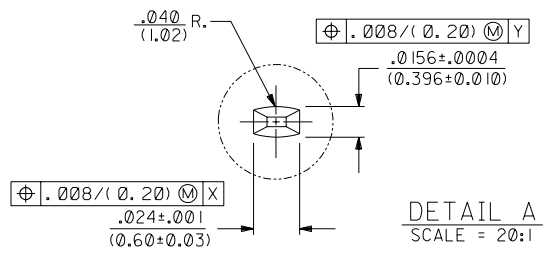
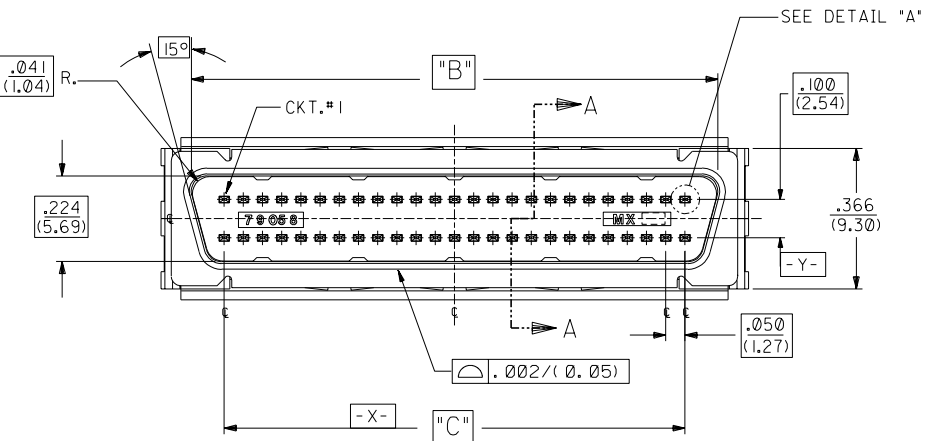
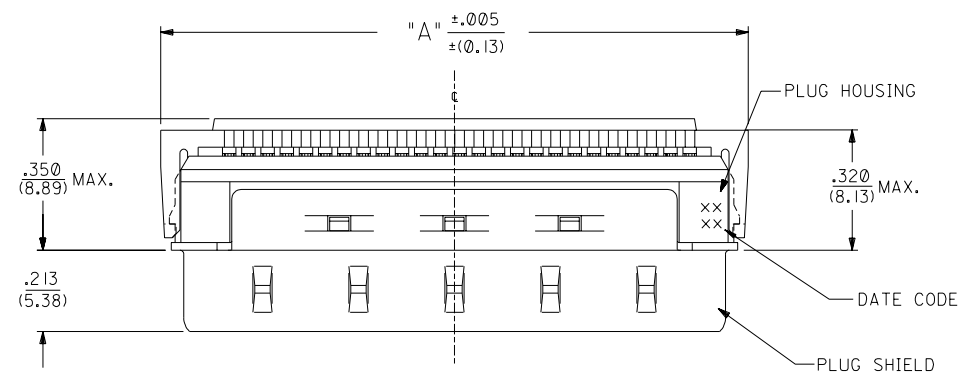
50 CIRCUIT SHOWN

79058

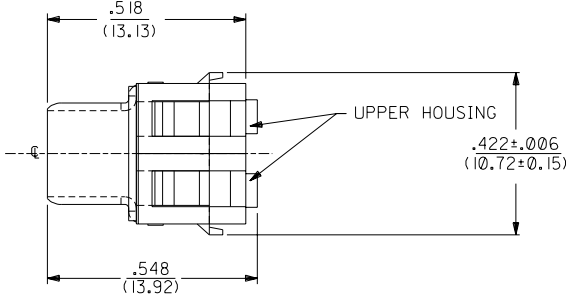
2	L
1	L
MFG. SH.	REV.

L		LEADFREE ECR* UCP2004-1925 DMORGAN 04/04/05	DIMENSIONS SHOWN (METRIC) INCH UNLESS OTHERWISE SPECIFIED TOLERANCES: ANGULAR ± 1/2°		REVISE ONLY ON CAD SYSTEM																													
KI		REVISED ITEM NO'S IN CHART PER EC #UDT1999-0168 J. LONG 98/09/08	<table border="1"> <tr> <th colspan="2">INCH</th> <th colspan="2">METRIC</th> </tr> <tr> <td>3 PLACE</td> <td>± .005</td> <td colspan="2">---</td> </tr> <tr> <td>2 PLACE</td> <td>± ---</td> <td>± 0.13</td> <td>---</td> </tr> <tr> <td>1 PLACE</td> <td>---</td> <td>± ---</td> <td>---</td> </tr> </table>		INCH		METRIC		3 PLACE	± .005	---		2 PLACE	± ---	± 0.13	---	1 PLACE	---	± ---	---	<table border="1"> <tr> <td colspan="2">TITLE</td> <td colspan="2">SHEET NO.</td> <td colspan="2">DATE</td> </tr> <tr> <td colspan="2">SCSI SHIELDED DISCRETE MODULAR SUB-ASSEMBLY PLUG KIT</td> <td colspan="2">1 of 2</td> <td colspan="2">03/06/91</td> </tr> </table>		TITLE		SHEET NO.		DATE		SCSI SHIELDED DISCRETE MODULAR SUB-ASSEMBLY PLUG KIT		1 of 2		03/06/91	
INCH		METRIC																																
3 PLACE	± .005	---																																
2 PLACE	± ---	± 0.13	---																															
1 PLACE	---	± ---	---																															
TITLE		SHEET NO.		DATE																														
SCSI SHIELDED DISCRETE MODULAR SUB-ASSEMBLY PLUG KIT		1 of 2		03/06/91																														
K		REMOVED 842 PLATE ADDED NEW ASS'Y PER EC # U81516 J. LONG 98/01/19	DRAFT WHERE APPLICABLE MUST REMAIN WITHIN DIMENSIONS		<table border="1"> <tr> <td colspan="2">PART NO.</td> <td colspan="2">DRWG. NO.</td> </tr> <tr> <td colspan="2">MOLEX INCORPORATED LITSE,ILL. 60532 U.S.A.</td> <td colspan="2">SDMS-79058-2***</td> </tr> </table>		PART NO.		DRWG. NO.		MOLEX INCORPORATED LITSE,ILL. 60532 U.S.A.		SDMS-79058-2***																					
PART NO.		DRWG. NO.																																
MOLEX INCORPORATED LITSE,ILL. 60532 U.S.A.		SDMS-79058-2***																																
LTR.		REVISIONS	<table border="1"> <tr> <td>DRWG. BY</td> <td>CHK'D BY</td> <td>SCALE</td> </tr> <tr> <td>J.D.</td> <td>BOWEN</td> <td>4 : 1</td> </tr> </table>		DRWG. BY	CHK'D BY	SCALE	J.D.	BOWEN	4 : 1	<table border="1"> <tr> <td>FILE NAME</td> <td colspan="2">THIS DRAWING CONTAINS INFORMATION THAT IS PROPRIETARY TO MOLEX INC. AND SHOULD NOT BE USED WITHOUT WRITTEN PERMISSION.</td> </tr> <tr> <td>SD19058L1</td> <td>DCN</td> <td>DC</td> </tr> </table>		FILE NAME	THIS DRAWING CONTAINS INFORMATION THAT IS PROPRIETARY TO MOLEX INC. AND SHOULD NOT BE USED WITHOUT WRITTEN PERMISSION.		SD19058L1	DCN	DC																
DRWG. BY	CHK'D BY	SCALE																																
J.D.	BOWEN	4 : 1																																
FILE NAME	THIS DRAWING CONTAINS INFORMATION THAT IS PROPRIETARY TO MOLEX INC. AND SHOULD NOT BE USED WITHOUT WRITTEN PERMISSION.																																	
SD19058L1	DCN	DC																																

E.D.P. NO.	ENG. NO.	CKT. SIZE	RECOMMENDED WIRE DIAMETER (SEE NOTE 5)	ITEM	DESCRIPTION/ITEM NO.	QTY	"A"		"B"		"C"	
							IN.	MM.	IN.	MM.	IN.	MM.
NOT TOOLED	MS-79058-2026	26	.035	A	PLUG ASSEMBLY : 79058-2026	1	.930	23.62	.772	19.61	.600	15.24
				B	UPPER HOUSING : 79075-2026	2						
NOT TOOLED	MS-79058-2126	26	.024	A	PLUG ASSEMBLY : 79058-2026	1	1.280	32.51	1.122	28.50	.950	24.13
				B	UPPER HOUSING : N/A	2						
NOT TOOLED	MS-79058-2040	40	.035	A	PLUG ASSEMBLY : 79058-2040	1	1.530	38.86	1.372	34.85	1.200	30.48
				B	UPPER HOUSING : 79075-2050	2						
NOT TOOLED	MS-79058-2140	40	.024	A	PLUG ASSEMBLY : 79058-2040	1	1.980	50.29	1.822	46.28	1.650	41.91
				B	UPPER HOUSING : N/A	2						
015-87-1050	MS-79058-2050	50	.035	A	PLUG ASSEMBLY : 79058-2050	1	1.530	38.86	1.372	34.85	1.200	30.48
				B	UPPER HOUSING : 79075-2050	2						
015-87-1150	MS-79058-2150	50	.024	A	PLUG ASSEMBLY : 79058-2050	1	1.980	50.29	1.822	46.28	1.650	41.91
				B	UPPER HOUSING : 79075-1001	2						
015-87-1068	MS-79058-2068	68	.035	A	PLUG ASSEMBLY : 79058-2068	1	1.980	50.29	1.822	46.28	1.650	41.91
				B	UPPER HOUSING : 79075-2068	2						
015-87-1168	MS-79058-2168	68	.024	A	PLUG ASSEMBLY : 79058-2068	1	1.980	50.29	1.822	46.28	1.650	41.91
				B	UPPER HOUSING : 79075-1002	2						



SECTION A-A
SCALE = 8:1



50 CIRCUIT SHOWN

LTR.		REVISIONS		LTR.		REVISIONS	

DIMENSIONS SHOWN (METRIC INCH)		UNLESS OTHERWISE SPECIFIED TOLERANCES: ANGULAR 1/2°	
5 PLACE	± .005	INCH	METRIC
2 PLACE	± ---	± 0.13	
1 PLACE	---	± ---	
DRAFT WHERE APPLICABLE MUST REMAIN WITHIN DIMENSIONS			
DRG. BY: J. Lopez	CHK'D: BOWEN	SCALE: 4:1	
APP'D. BY: J D			

MFG, SH, REV.		REVISE ONLY ON CAD SYSTEM	
TITLE: SCSI SHIELDED DISCRETE MODULAR SUB-ASSEMBLY PLUG KIT			
PROJ: MOLEX INCORPORATED	SHEET NO. 2	DATE: 03/06/91	
LISLE, ILL. 60532 U.S.A.			
PART NO. SEE CHART	DRWG. NO. SDMS-79058-2 ***		
FILE NAME: SD79058L2.DGN			
THIS DRAWING CONTAINS INFORMATION THAT IS PROPRIETARY TO MOLEX INC. AND SHOULD NOT BE USED WITHOUT WRITTEN PERMISSION.			
DC			