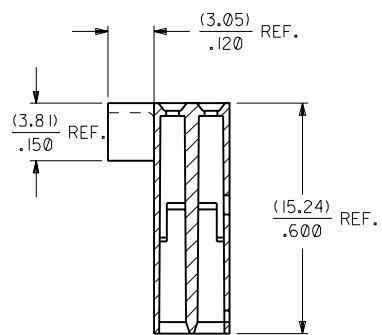
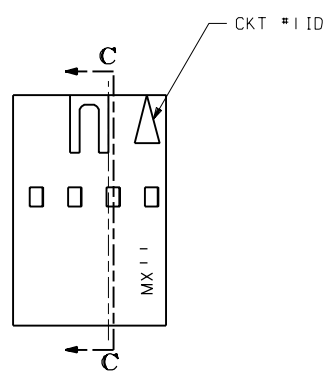
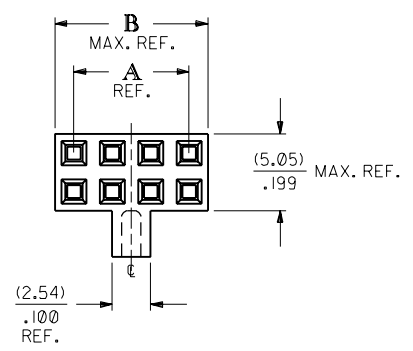


70450

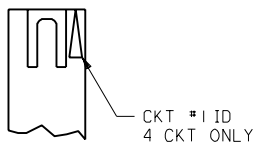
NOTES:

1. MATERIAL: G.F. POLYESTER
2. HOUSING TO BE USED WITH TERMINAL NOS. 70028, 70058, AND 71851.
3. HOUSING TO BE USED WITH (0.64)/.025 SQUARE OR ROUND PINS.
4. REFER TO MOLEX PRODUCT SPECIFICATION PS-70058.
5. PACKAGE PER PK-70450-100.

OPTION "B"



SECTION C-C



CKT. SIZE	EDP. NO.	ENG. NO.	DIM "A" REF.	DIM "B" MAX. REF.
4	022-55-2042	70450-0050	(2.54)/.100	(5.05)/.199
6	022-55-2062	70450-0051	(5.08)/.200	(7.59)/.299
8	022-55-2082	70450-0052	(7.62)/.300	(10.13)/.399
10	022-55-2102	70450-0053	(10.16)/.400	(12.67)/.499
12	022-55-2122	70450-0054	(12.70)/.500	(15.21)/.599
14	022-55-2142	70450-0055	(15.24)/.600	(17.75)/.699
16	022-55-2162	70450-0056	(17.78)/.700	(20.29)/.799
18	022-55-2182	70450-0057	(20.32)/.800	(22.83)/.899
20	022-55-2202	70450-0058	(22.86)/.900	(25.37)/.999
22	022-55-2222	70450-0059	(25.40)/1.000	(27.91)/1.099
24	022-55-2242	70450-0060	(27.94)/1.100	(30.45)/1.199
26	022-55-2262	70450-0061	(30.48)/1.200	(32.99)/1.299
28	022-55-2282	70450-0062	(33.02)/1.300	(35.53)/1.399
30	022-55-2302	70450-0063	(35.56)/1.400	(38.07)/1.499
32	022-55-2322	70450-0064	(38.10)/1.500	(40.61)/1.599
34	022-55-2342	70450-0065	(40.64)/1.600	(43.15)/1.699
36	022-55-2362	70450-0066	(43.18)/1.700	(45.69)/1.799
38	022-55-2382	70450-0067	(45.72)/1.800	(48.23)/1.899
40	022-55-2402	70450-0068	(48.26)/1.900	(50.77)/1.999
42	022-55-2422	70450-0069	(50.80)/2.000	(53.31)/2.099
44	022-55-2442	70450-0070	(53.34)/2.100	(55.85)/2.199
46	022-55-2462	70450-0071	(55.88)/2.200	(58.39)/2.299
48	022-55-2482	70450-0072	(58.42)/2.300	(60.93)/2.399
50	022-55-2502	70450-0073	(60.96)/2.400	(63.47)/2.499
52	NOT TOOLED	70450-0074	(63.50)/2.500	(66.01)/2.599
54	NOT TOOLED	70450-0075	(66.04)/2.600	(68.55)/2.699

I	ADD PKG NOTE PER UDT2000-0468 SCHAFER 99/12/11	G	REVISED CKT #1 FOR 4 CKT ONLY PER ECR # U31621 01/06/94 REED	D	REVISED PER ECR # U00293 07/13/90 MCB/DJK
H	REVISED PER ECN UDT1999-0722 R.S.FOX 99/03/09	F	ADDED CKT #1 ID FOR 4 CKT ONLY PER ECR #U30676 05/04/93 BRINKMAN	C	ADDED NOTE 4 PER ECR # 10059 05/01/87 MJM/JAS
GI	REVISED ECR #U80261 MCGRATH 97/07/24	E	ADDED CKT #1 ID PER ECR # U21702 11/20/92 RB	B	REDRAWN ON CAD PER ECR # 9296 10/22/86 MJM
LTR.	REVISIONS	LTR.	REVISIONS	LTR.	REVISIONS

DIMENSIONS SHOWN (METRIC) INCH
 UNLESS OTHERWISE SPECIFIED
 TOLERANCES: ANGULAR ± 1/2°
 3 PLACE ± .006 INCH METRIC
 2 PLACE ± .01 ± 0.15
 1 PLACE --- ± 0.25
 DRAFT WHERE APPLICABLE MUST REMAIN WITHIN DIMENSIONS
 DRWG. NO. SD-70450-0050-0075
 FILE NAME S70450X2
 THIS DRAWING CONTAINS INFORMATION THAT IS PROPRIETARY TO MOLEX INC. AND SHOULD NOT BE USED WITHOUT WRITTEN PERMISSION.

70450

MFG. SH. REV.

TITLE HOUSING - CONNECTOR DUAL ROW (2.54)/.100 GRID WITH POLARIZATION KEY MOLEX INCORPORATED L1SLE,ILL. 60532 U.S.A. SHEET NO. 1 OF 1 DATE 10/22/86	REVISIONS ONLY ON CAD SYSTEM SEE CHART SD-70450-0050-0075
--	---