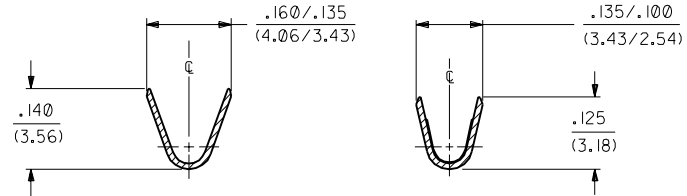
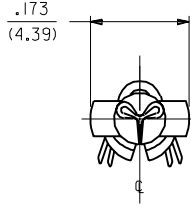
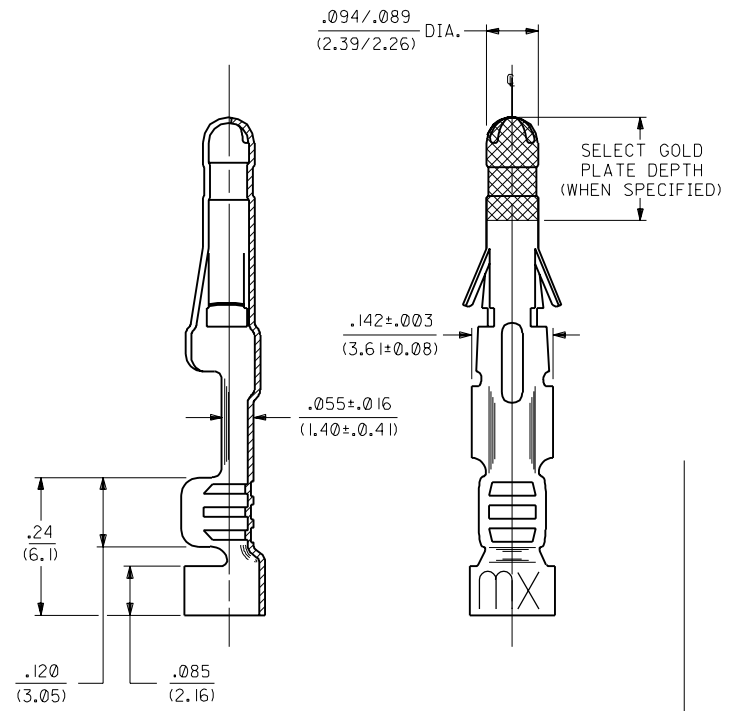
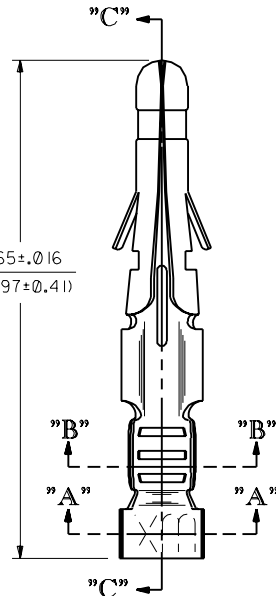


PART NO.	ENG. NO.	
02-09-2201	2152-(P901)	
02-09-2202	2152-(P901)L	
02-09-6203	2152-(558)	<b>OBSOLETE</b>



**SECTION "A-A"**      **SECTION "B-B"**

**LEGEND**  
 2152-(\*\*\*\*)\*  
 \* — FORM  
       BLANK=CHAIN  
       L=LOOSE  
 P=PREPLATE  
 BLANK=POSTPLATE  
 FINISH CODE



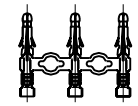
**SECTION "C-C"**

- NOTES:**
1. TERMINAL FOR USE WITH .093/(2.36) SERIES HOUSINGS AND WILL ACCEPT 18 THRU 22 AWG WIRE.
  2. INSERTION FORCE: 3.5 LBS. MAX. WHEN TERMINAL IS INSERTED INTO AN .093 SERIES HOUSING.
  3. RETENTION: 20 LBS. MIN. FROM HOUSING.
  4. THIS PART CONFORMS TO PROD. SPEC. 02-09.

**MATERIAL:**  
 PHOSPHOR BRONZE, ALLOY #C51000,  
 .010/(0.25) THICK, EXTRA HARD TEMPER.

**FINISH CODES:**  
 901 HOT TIN DIP .000020/(0.0005) MIN.  
 558 SELECT GOLD PLATE .000030/(0.00076) MIN. IN CONTACT AREA, OVER .000050/(0.00127) MIN. NICKEL OVERALL WITH .000010/(0.00025) MAX. GOLD FLASH OVERALL.

CHAIN FORM  
 FULL SCALE



DIMENSIONS SHOWN (METRIC) INCH UNLESS OTHERWISE SPECIFIED TOLERANCES ANGULAR ± 1/2°		REVISIONS																					
<table border="1"> <tr> <th>PLACE</th> <th>INCH</th> <th>METRIC</th> </tr> <tr> <td>3 PLACE</td> <td>± .010</td> <td>---</td> </tr> <tr> <td>2 PLACE</td> <td>± .014</td> <td>± 0.25</td> </tr> <tr> <td>1 PLACE</td> <td>---</td> <td>± 0.35</td> </tr> </table>		PLACE	INCH	METRIC	3 PLACE	± .010	---	2 PLACE	± .014	± 0.25	1 PLACE	---	± 0.35	<table border="1"> <tr> <th>MFG. SH.</th> <th>REV.</th> <th>LTR.</th> <th>REVISIONS</th> </tr> <tr> <td></td> <td></td> <td></td> <td></td> </tr> </table>		MFG. SH.	REV.	LTR.	REVISIONS				
PLACE	INCH	METRIC																					
3 PLACE	± .010	---																					
2 PLACE	± .014	± 0.25																					
1 PLACE	---	± 0.35																					
MFG. SH.	REV.	LTR.	REVISIONS																				
DRAFT WHERE APPLICABLE MUST REMAIN WITHIN DIMENSIONS DRWG. NO. SD-2152-#		REVISE ONLY ON CAD SYSTEM																					
TITLE: CRIMP TERMINAL, MALE .093/(2.36) DIA. FOR 18 THRU 22 AWG WIRE		SHEET NO. 1 of 1 DATE 6/11/92																					
MOLEX INCORPORATED LITTLE, ILL. 60532 U.S.A.		DIV. CP																					

B	OBSOLETE P/N UCR2002-0210 COMERC 01/10/1
A1	REVISED ECR* UCR1999-0518 STAMBAUGH 99-2-9
A	FINAL RELEASE ECR U1 0857 GIC 1/21/92 RW