

INTERCONNECTS

SERIES 310, 311, 315 • .100" GRID SOLDER TAIL • SINGLE ROW STRIPS

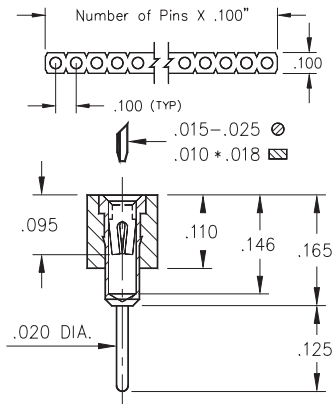


FIG. 1

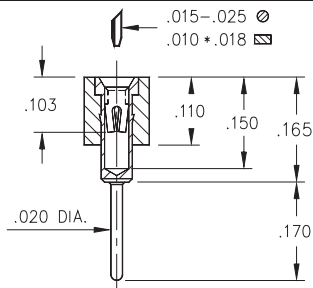


FIG. 2

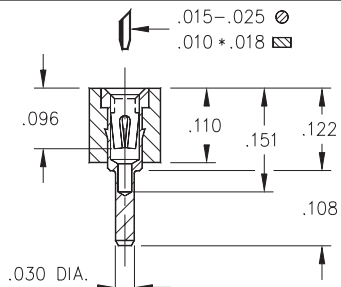


FIG. 3

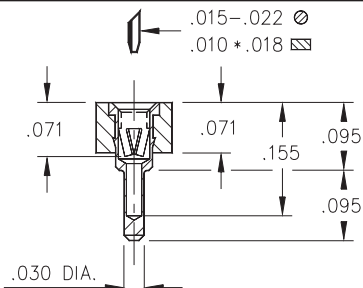
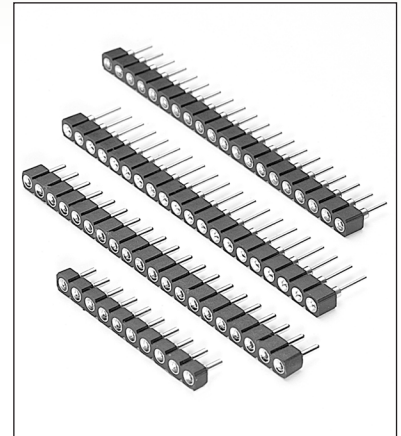


FIG. 4

- SIP sockets accept .015 - .025" diameter pins and standard IC leads
- Various solder tails available: standard length, long for multi-layer boards, very low and ultra low profile. See Mill-Max #1001, #0134, #0501 or #1534 pins. See pages 161, 162 and 165 for details
- Hi-Rel, 4-finger BeCu #12 and #30 contact are rated at 3 amps. See pages 252 and 253 for details
- Insulators are high temperature thermoplastic, suitable for all soldering operations



ORDERING INFORMATION

| | Series 310...001 | Standard Solder Tail |
|---------------|------------------|--|
| FIG. 1 | 310-XX-1 | -41-001000 Specify number of pins 01-64 |
| FIG. 2 | 311-XX-1 | -41-001000 Specify number of pins 01-64 |
| FIG. 3 | 315-XX-1 | -41-001000 Specify number of pins 01-64 |
| FIG. 4 | 315-XX-1 | -41-003000 Specify number of pins 01-64 |

| | | | | | | | | | |
|----------------|---------------------------|----------|---|--------------|--------------|-----------|-----------|-----------|-----------|
| | XX=Plating Code See Below | | For Electrical, Mechanical & Environmental Data, See page 264 | | | | | | |
| | SPECIFY PLATING CODE XX= | 11 | 13 | 91 | 93 | 99 | 41 | 43 | 44 |
| Sleeve (Pin) | 10 μ" Au | 10 μ" Au | 200 μ" Sn/Pb | 200 μ" Sn/Pb | 200 μ" Sn/Pb | 200 μ" Sn | 200 μ" Sn | 200 μ" Sn | 200 μ" Sn |
| Contact (Clip) | 10 μ" Au | 30 μ" Au | 10 μ" Au | 30 μ" Au | 100 μ" Sn/Pb | 10 μ" Au | 30 μ" Au | 100 μ" Sn | 100 μ" Sn |

★ 41 & 91 Platings Non-Standard

