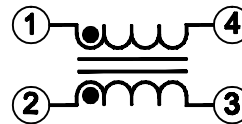
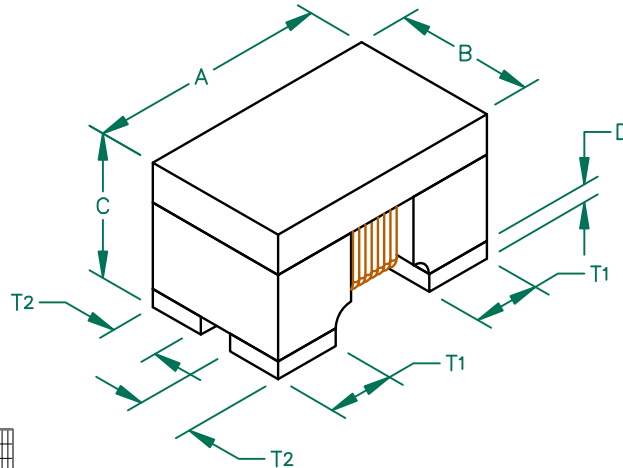


CM0805A371R-10

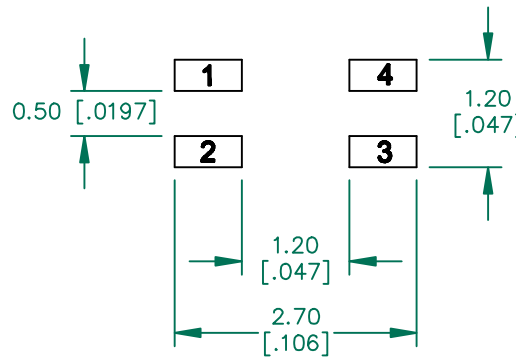
UNCONTROLLED DOCUMENT

PHYSICAL DIMENSIONS:

A	2.00 [.079]	+ 0.20 [.008]
B	1.20 [.047]	+ 0.20 [.008]
C	1.20 [.047]	+ 0.20 [.008]
D	0.15 [.006]	+ 0.10 [.004]
T1	0.55 [.022]	+ 0.10 [.004]
T2	0.46 [.018]	+ 0.10 [.004]



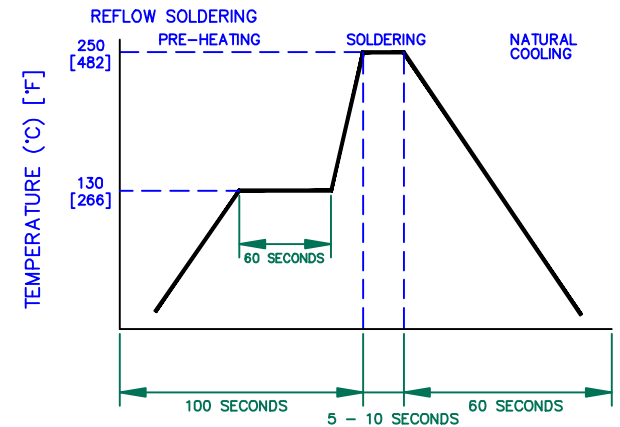
LAND PATTERNS FOR REFLOW SOLDERING



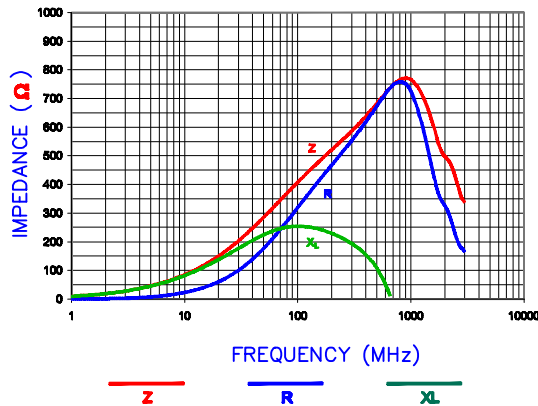
Electrical Characteristics		Nominal	Min	Max
Common Mode Impedance @ 100MHz	(Ω)	370	278	436
DCR	(Ω)	-	-	0.5
Rated Current	(mA)	-	-	100

- NOTES: UNLESS OTHERWISE SPECIFIED
1. TAPED AND REELED per CURRENT EIA SPECIFICATIONS 7" REELS, EMBOSSED PLASTIC TAPE 2,000 PCS/REEL.
 2. TERMINATION FINISH 100% MATTE TIN.
 3. COMPONENTS SHOULD BE ADEQUATELY PREHEATED BEFORE SOLDERING.

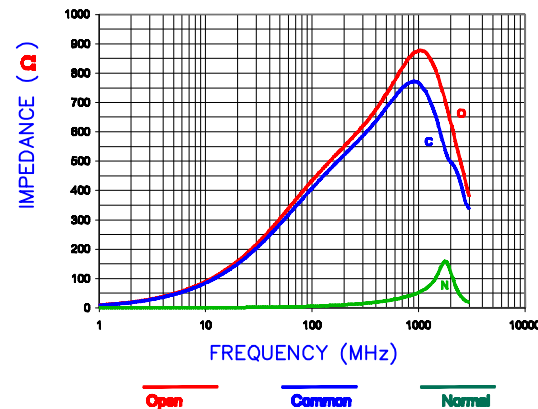
RECOMMENDED SOLDERING CONDITIONS



Z, R, XL vs. FREQUENCY



Z vs. FREQUENCY (C,N,O)



DIMENSIONS ARE IN mm [INCHES].				This print is the property of Laird Tech. and is loaned in confidence subject to return upon request and with the understanding that no copies shall be made without the written consent of Laird Tech. All rights to design or invention are reserved.			
PROJECT/PART NUMBER:				REV C PART TYPE: CM CHOKE DRAWN BY: JRK			
C	UPDATE COMPANY LOGO	04/28/09	JRK	CM0805A371R-10			
B	UPDATE COMPANY LOGO	05/10/07	JRK	DATE: 08/11/06	SCALE: NTS	SHEET: 2 of 2	
A	ORIGINAL DRAFT	08/11/06	JRK	CAD # CM0805A371R-10-C	TOOL # -		
REV	DESCRIPTION	DATE	INT				