

# PC Mount DC Power Jacks

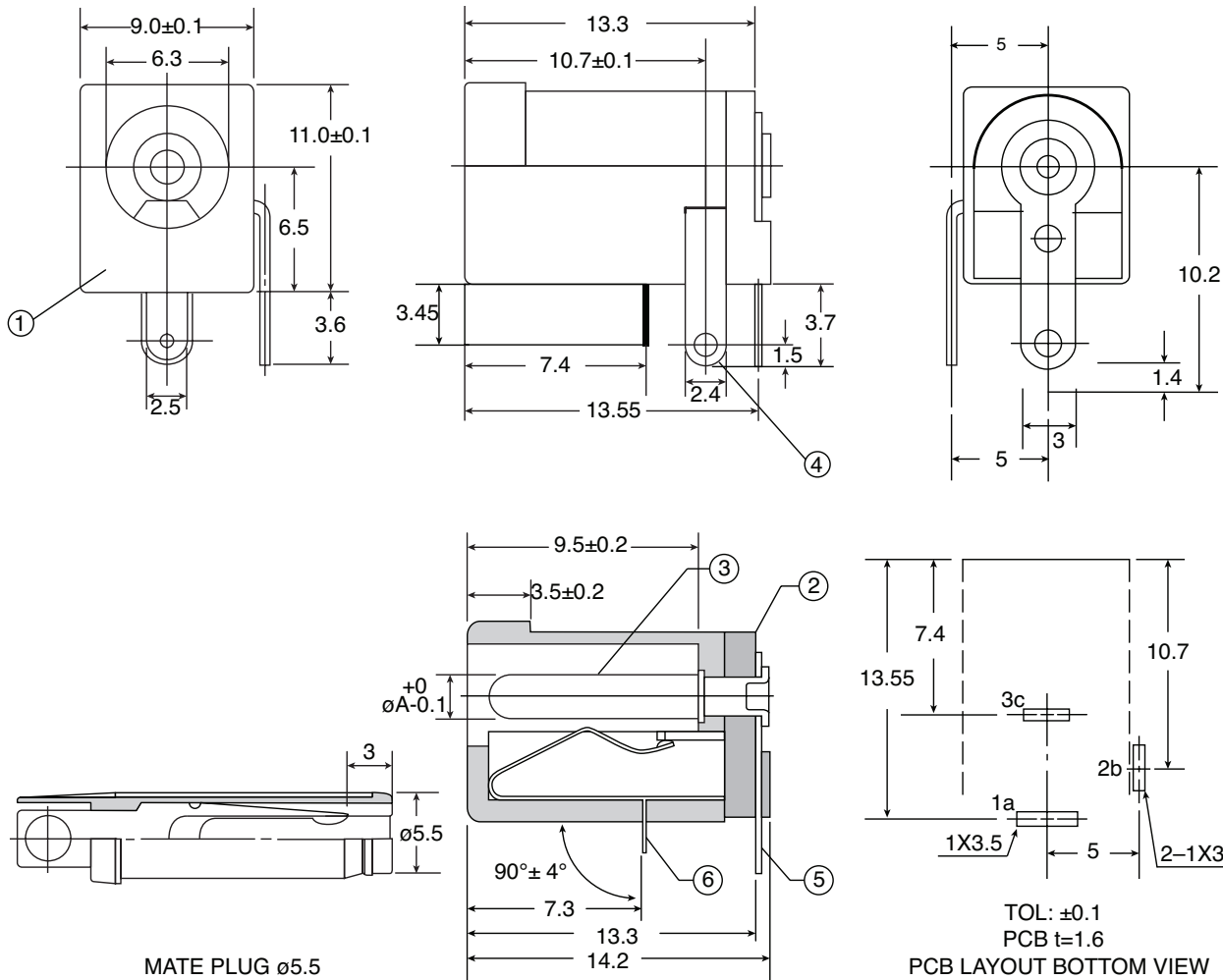
163-7620E-E, 163-7625E-E

**KOBI**CONN

PC Mount DC Power Jacks

163-7620E-E, 163-7625E-E

DIMENSIONS: mm



No.	Part Name	Qty.	Material	Plated/Color
1	Housing	1	PBT+15%GF	Black
2	Back Cover	1	PBT+15%GF	Black
3	Center Pin	1	Brass	1st Cu 2~3μm 2nd Sn-Cu 3~4μm
4	Break Terminal	1	SPCC-SD	1st Cu 3~5μm 2nd Sn-Cu 3~5μm
5	Pin Terminal	1	SPCC-SD	1st Cu 3~5μm 2nd Sn-Cu 3~5μm
6	Spring Contact	1	Phosphor Bronze	1st Cu 2~3μm 2nd Ni 3~4μm
RoHS Compliant				

MODEL	CENTER PIN DIA.øA
163-7620E-E	ø2.0
163-7625E-E	ø2.5

Date Last Revised: 02-20-12

Available from Mouser Electronics  
1-800-346-6873 / www.mouser.com

KC-301411

Specifications are subject to change without notice. No liability or warranty implied by this information. Environmental compliance based on producer documentation.