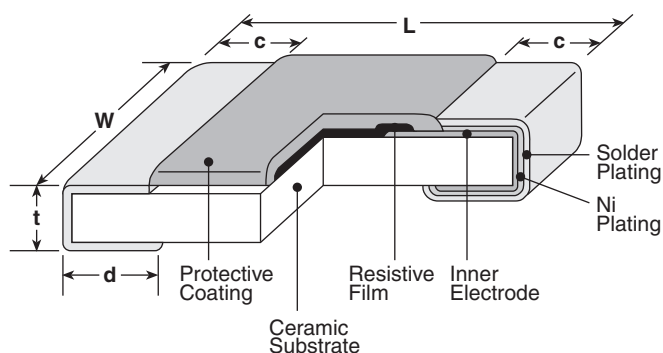


features

- Silver element
- Anti-leaching nickel barrier terminations
- Also available with epoxy bondable palladium silver terminations in sizes 1J, 2A, 2B, 2E, 2H and 3A.
- Meets or exceeds EIA 575, EIAJ RC 2690A, EIA PDP-100, MIL-R-55342F
- Marking: White "000" on black protective coat
1H and 1E sizes are green with no marking
1J has white "0" marking
- Products with lead-free terminations meet RoHS requirements

dimensions and construction



| Type (Inch Size Code) | Dimensions inches (mm) | | | | |
|--------------------------|--|-------------------------|-------------------------|--|--------------------------|
| | L | W | c | d | t |
| 1H (0201) | .024±.001 (0.6±0.03) | .012±.001 (0.3±0.03) | .004±.002 (0.1±0.05) | .006±.002 (0.15±0.05) | .009±.002 (0.23±0.05) |
| 1E (0402) | .039 ^{+0.004} _{-.002} (1.0 ^{+0.1} _{-0.05}) | .02±.002 (0.5±0.05) | .008±.004 (0.2±0.1) | .01 ^{+0.002} _{-.004} (0.25 ^{+0.05} _{-0.1}) | .014±.002 (0.35±0.05) |
| 1J (0603) | .063±.008 (1.6±0.2) | .031±.004 (0.8±0.1) | .012±.004 (0.3±0.1) | .012±.004 (0.3±0.1) | .018±.004 (0.45±0.1) |
| 2A (0805) | .079±.008 (2.0±0.2) | .049±.004 (1.25±0.1) | .016±.008 (0.4±0.2) | .012 ^{+0.008} _{-.004} (0.3 ^{+0.2} _{-0.1}) | .02±.004 (0.5±0.1) |
| 2B (1206) | .126±.008 (3.2±0.2) | .063±.008 (1.6±0.2) | .02±.012 (0.5±0.3) | .016 ^{+0.008} _{-.004} (0.4 ^{+0.2} _{-0.1}) | .024±.004 (0.6±0.1) |
| 2E (1210) | | .102±.008 (2.6±0.2) | | | |
| 2H (2010) | .197±.008 (5.0±0.2) | .098±.008 (2.5±0.2) | | | |
| 3A (2512) | .248±.008 (6.3±0.2) | .122±.008 (3.1±0.2) | | | |

ordering information

| New Part # | RK73Z | 2B | T | TD |
|------------|-------|------|---|--|
| Type | | Size | Termination Material | Packaging |
| | | 1H | T: Sn | TC: 2mm pitch pressed paper (0201 only) |
| | | 1E | L: SnPb | TB: 2mm pitch pressed paper (0201 only) |
| | | 1J | (Other termination styles available, contact factory for options) | TP: 2mm pitch punched paper (0402 & 0603) |
| | | 2A | | TD: 7" paper tape (0603, 0805, 1206 & 1210) |
| | | 2B | | TDD: 10" paper tape (0603, 0805, 1206 & 1210) |
| | | 2E | | TE: 7" punched plastic (0805, 1206, 1210, 2010 & 2512) |
| | | 2H | | TED: 10" punched plastic (0805, 1206, 1210, 2010 & 2512) |
| | | 3A | | |

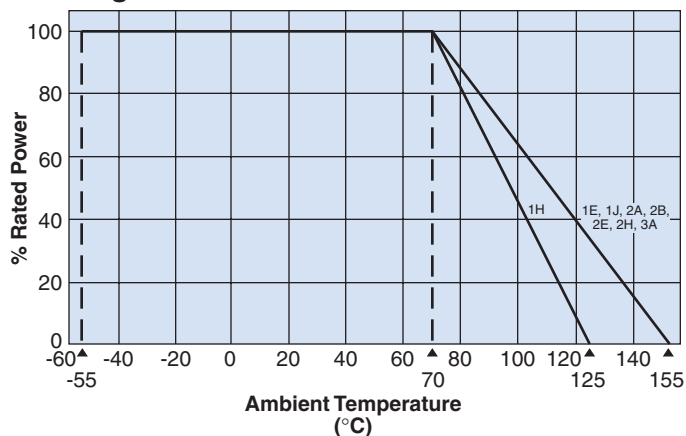
For further information on packaging, please refer to Appendix A.

applications and ratings

| Part Designation | Maximum Continuous Current @ 70°C | Maximum Surge Current @ 70°C | Maximum Resistance | Operating Temperature Range |
|--|-----------------------------------|------------------------------|--------------------|-----------------------------|
| RK73Z1H | 0.5 Amps | 1.0 Amp Max. for < 1 second | 50mΩ | -55°C to +125°C |
| RK73Z1E RK73Z1J | 1.0 Amps | 2 Amp Max. for < 1 second | | -55°C to +155°C |
| RK73Z2A | 2.0 Amps | 5 Amp Max. for < 1 second | | |
| RK73Z2B RK73Z2E RK73Z2H RK73Z3A | 2.0 Amps | 10 Amp Max. for < 1 second | | |

environmental applications

Derating Curve



For complete environmental specifications, please refer to pages 28-29.