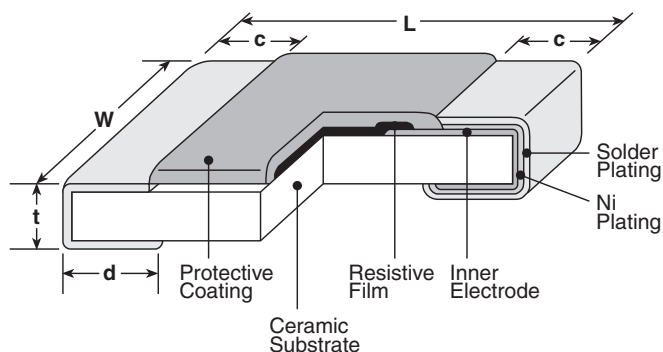


### features

- High precision resistor with T.C.R. of  $\pm 50$  ppm/°C and tolerance of  $\pm 0.5\%$  or 1%
- RuO<sub>2</sub> thick film resistor element
- Marking: Four-digit, black on dark blue protective coat (1J, 2A, 2B)  
1J-3 marking for E-24  
No marking for E-96  
Black protective coat on 1H and 1E with no marking
- Products with lead-free terminations meet RoHS requirements. Pb located in glass material, electrode and resistor element is exempt per Annex 1, exemption 5 of EU directive 2005/95/EC

### dimensions and construction



Type (Inch Size Code)	Dimensions inches (mm)				
	L	W	c	d	t
<b>1H</b> (0201)	.024±.001 (0.6±0.03)	.012±.001 (0.3±0.03)	.004±.002 (0.1±0.05)	.006±.002 (0.15±0.05)	.009±.012 (0.23±0.03)
<b>1E</b> (0402)	.039 <sup>+0.004</sup> <sub>-.002</sub> (1.0 <sup>+0.1</sup> <sub>-.05</sub> )	.02±.002 (0.5±0.05)	.008±.004 (0.2±0.1)	.01 <sup>+0.002</sup> <sub>-.004</sub> (0.25 <sup>+0.05</sup> <sub>-.1</sub> )	.014±.002 (0.35±0.05)
<b>1J</b> (0603)	.063±.008 (1.6±0.2)	.031±.004 (0.8±0.1)	.012±.004 (0.3±0.1)	.012±.004 (0.3±0.1)	.018±.004 (0.45±0.1)
<b>2A</b> (0805)	.079±.008 (2.0±0.2)	.049±.004 (1.25±0.1)	.016±.008 (0.4±0.2)	.012 <sup>+0.008</sup> <sub>-.004</sub> (0.3 <sup>+0.2</sup> <sub>-.1</sub> )	.02±.004 (0.5±0.1)
<b>2B</b> (1206)	.126±.008 (3.2±0.2)	.063±.008 (1.6±0.2)	.02±.012 (0.5±0.3)	.016 <sup>+0.008</sup> <sub>-.004</sub> (0.4 <sup>+0.2</sup> <sub>-.1</sub> )	.024±.004 (0.6±0.1)

### ordering information

New Part #	RK73G	1J	T	TD	1003	F
Type		Size	Termination Material	Packaging	Nominal Resistance	Tolerance
		1H 1E 1J 2A 2B	T: Sn (1H, 1E, 1J, 2A, 2B) L: SnPb (1E, 1J, 2A, 2B) (Other termination styles may be available, please contact factory for options)	TC: 2mm pitch pressed paper (0201) TP: 2mm pitch punched paper (0402 & 0603) TD: 7" paper tape (0603, 0805 & 1206) TDD: 10" paper tape (0603, 0805 & 1206) TE: 7" punched plastic (1206 & 1210) TED: 10" punched plastic (1206 & 1210)	3 significant figures + 1 multiplier "R" indicates decimal on value <100Ω	D: $\pm 0.5\%$ F: $\pm 1\%$

For further information on packaging, please refer to Appendix A.

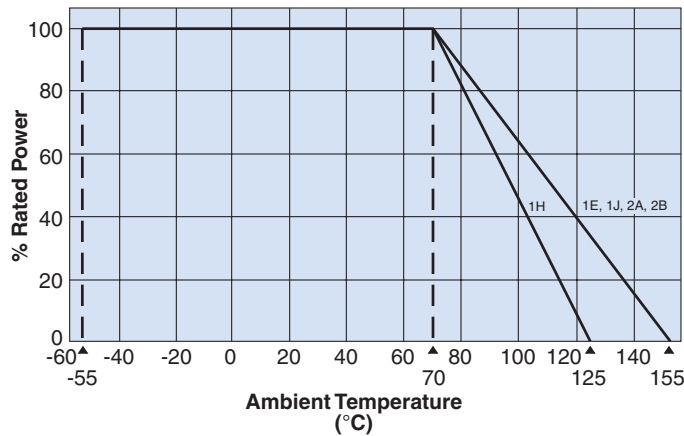
## applications and ratings

Part Designation*	Power Rating @ 70°C	T.C.R. (ppm/°C) Max.	Resistance Range E-24, E-96 (D±0.5%)	Resistance Range E-24, E-96 (F±1%)	Absolute Maximum Working Voltage	Absolute Maximum Overload Voltage	Operating Temperature Range
RK73G1H (0201)	1/10W (.05W)	±50	100Ω - 1MΩ**	100Ω - 1MΩ**	25V	50V	-55°C to +125°C
RK73G1E (0402)	1/16W (.063W)		10Ω - 976kΩ	10Ω - 1MΩ	50V	100V	-55°C to +155°C
RK73G1J (0603)	1/10W (.10W)		10Ω - 1MΩ		75V	150V	
RK73G2A (0805)	1/8W (.125W)				150V	200V	
RK73G2B (1206)	1/4W (.25W)				200V	400V	

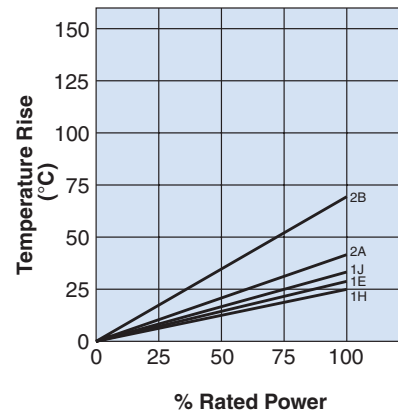
\* Parenthesis indicate EIA package size codes.  
 \*\* RK73G1H available in E-24 decade values only

## environmental applications

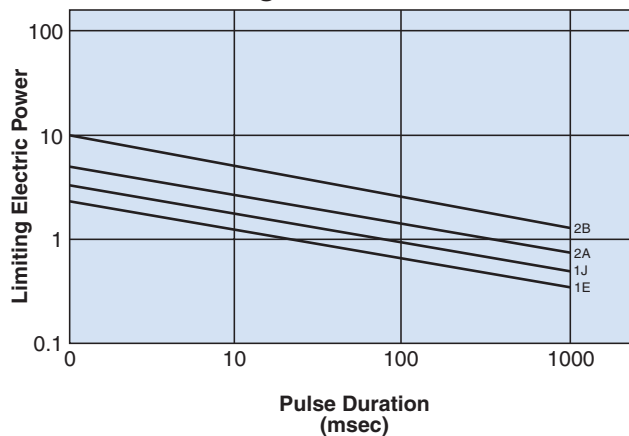
### Derating Curve



### Surface Temperature Rise



### One-Pulse Limiting Electric Power



For complete environmental specifications, please refer to pages 30-31.