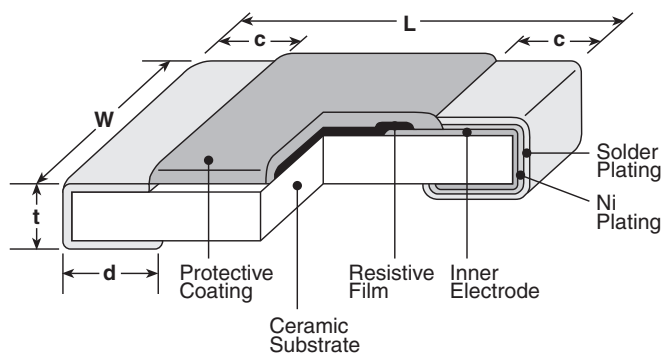


features

- RuO₂ thick film resistor element
- Anti-leaching nickel barrier terminations
- For high resolution sound and clarity in signal processing and audio circuits
- Marking: Three-digit, light blue on black protective coating
- Products with lead-free terminations meet RoHS requirements. Pb located in glass material, electrode and resistor element is exempt per Annex 1, exemption 5 of EU directive 2005/95/EC

dimensions and construction



Type (Inch Size Code)	Dimensions inches (mm)				
	L	W	c	d	t
1J (0603)	.063±.008 (1.6±0.2)	.031±.004 (0.8±0.1)	.012±.004 (0.3±0.1)	.012±.004 (0.3±0.1)	.018±.004 (0.45±0.1)
2A (0805)	.079±.008 (2.0±0.2)	.049±.004 (1.25±0.1)	.016±.008 (0.4±0.2)	.012 ^{+0.008} _{-0.004} (0.3 ^{+0.2} _{-0.1})	.02±.004 (0.5±0.1)
2B (1206)	.126±.008 (3.2±0.2)	.063±.008 (1.6±0.2)	.02±.012 (0.5±0.3)	.016 ^{+0.008} _{-0.004} (0.4 ^{+0.2} _{-0.1})	.024±.004 (0.6±0.1)

ordering information

New Part #	RK73A	1J	T	TD	102	J
Type						
Size		1J 2A 2B				
Termination Material			T: Sn L: SnPb (Other termination styles available, contact factory for options)			
Packaging				TP: 2mm pitch punched paper (0603 & 0805) TD: 7" paper tape (0603, 0805 & 1206) TDD: 10" paper tape (0603, 0805 & 1206) TE: 7" punched plastic (0805 & 1206) TED: 10" punched plastic (0805 & 1206)		
Nominal Resistance					2 significant figures + 1 multiplier "R" indicates decimal on value <100Ω	
Tolerance						G: ±2% J: ±5%

For further information on packaging, please refer to Appendix A.

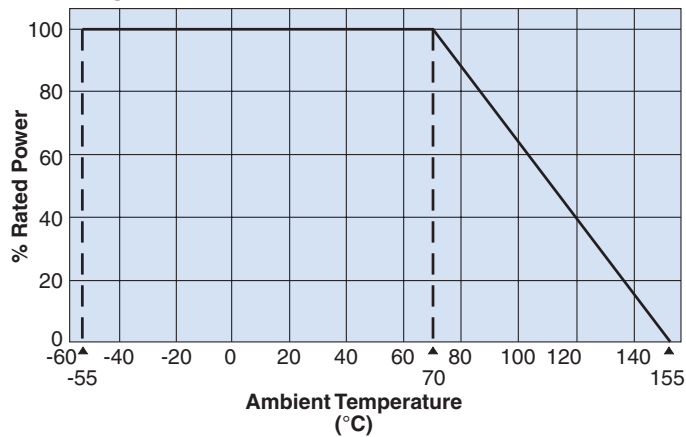
applications and ratings

Part Designation*	Power Rating @ 70°C	T.C.R. (ppm/°C) Max.	Resistance Range E-24 (G±2%)	Resistance Range E-24 (J±5%)	Absolute Maximum Working Voltage	Absolute Maximum Overload Voltage	Operating Temperature Range
RK73A1J (0603)	1/10W (.10W)	±200	10Ω - 1MΩ	10Ω - 1MΩ	50V	100V	-55°C to +155°C
		±250	2.2Ω - 9.1Ω	2.2Ω - 9.1Ω			
RK73A2A (0805)	1/8W (.125W)	±200	10Ω - 1MΩ	10Ω - 1MΩ	150V	300V	
		±250	2.2Ω - 9.1Ω	2.2Ω - 9.1Ω			
RK73A2B (1206)	1/4W (.25W)	±200	10Ω - 1MΩ	10Ω - 1MΩ	200V	400V	
		±250	2.2Ω - 9.1Ω	2.2Ω - 9.1Ω			

* Parenthesis indicate EIA package size codes.

environmental applications

Derating Curve



For complete environmental specifications, please refer to pages 30-31.