

# High Temperature High Voltage Ceramic Capacitors

[www.kemet.com](http://www.kemet.com)

**KEMET**  
CHARGED.™

General Performance Characteristics . . . . .3-6

**HIGH TEMPERATURE CERAMIC CAPACITORS**

HT/HP - Standard Series - (+200°C) Ceramic Capacitors C0G (NP0), X7R Dielectric . . . . .7-9

HV-High Voltage Series - (+200°C) Ceramic Capacitors C0G (NP0), X7R Dielectric . . . . .10-12

Ceramic Cased Capacitors C3 General Information . . . . .13

SCR/SCA Standard Axial & Radial Ceramic Capacitors - C0G (NP0) Dielectric . . . . .14-16

SRR/SRA Standard Axial & Radial Ceramic Capacitors - X7R Dielectric . . . . .14-16

ACR/ACA High Temperature (+200°C) Axial & Radial Ceramic Capacitors - C0G (NP0) Dielectric . . . . .17-19

ARR/ARA High Temperature (+200°C) Axial & Radial Ceramic Capacitors - X7R Dielectric . . . . .17-19

TCR/TCA High Temperature (+260°C) Axial & Radial Ceramic Capacitors - C0G (NP0) Dielectric . . . . .20-22

TRR/TRA High Temperature (+260°C) Axial & Radial Ceramic Capacitors - X7R Dielectric . . . . .20-22

VCR - C3 High Temperature/High Voltage (+260°C) Axial & Radial Ceramic Capacitors - C0G (NP0) Dielectric . . .23-25

VRR - C3 High Temperature/High Voltage (+260°C) Axial & Radial Ceramic Capacitors - X7R Dielectric . . . . .23-25

**HIGH VOLTAGE CERAMIC CAPACITORS**

HV Series, High Voltage, Radial Conformally Coated, C0G (NP0), X7R Dielectric . . . . .26-30

HV Series, High Voltage, Radial Conformally Coated, C0G (NP0) & X7R Dielectric (MIL-PRF-49467 Equivalent) . . .31-33

HS Series, High Voltage, Radial Conformally Coated, Space Quality, C0G (NP0) & X7R Dielectric . . . . .34-38

High Voltage, Ceramic Chip Military Equivalent Tested - C0G (NP0), X7R Dielectric . . . . .39-43

SM Series, High Voltage Surface Mount Ceramic Chip - C0G (NP0), X7R Dielectric . . . . .44-48

D Series, High Voltage Surface Mount Ceramic Disc - C0G (NP0), X7R, X5U Dielectric . . . . .49-50

High Voltage Disc Multilayer Stacks - C0G (NP0), X7R, X5U Dielectric . . . . .51

# High Temperature, High Voltage Performance Characteristics

## GENERAL SPECIFICATIONS

### Working Voltage:

C0G	50, 100, 200, 500, 1k, 2k, 3k, 4k, 5k, 7.5k, 10k, 15k, 20k
X7R	50, 100, 200, 500, 1k, 2k, 3k, 4k, 5k, 7.5k, 10k, 15k, 20k, 30k, 40k, 50k
X5U	3k, 4k, 5k, 7.5k, 10k, 15k, 20k

### Temperature Characteristics:

C0G	0 + 30 PPM / °C from -55°C to +125°C (1)
X7R	+15% from -55°C to +125°C
X5U	+22%, -56% from -55°C to +85°C

### Capacitance Tolerance:

C0G	+0.5pF, +1%, +2%, +5%, +10%
X7R	+10%, +20%, +80% / -20%, +100% / -0%
X5U	+10%, +20%, +80% / -20%, +100% / -0%

### Construction:

Epoxy encapsulated - meets flame test requirements of UL Standard 94V-0.  
High-temperature solder - meets EIA RS-198, Method 302, Condition B (260°C for 10 seconds)

### Termination Material:

Check individual Series: Part Number and Ordering Information for Termination Materials offered in each series.

### Solderability:

MIL-STD 202, Method 208  
(Test Method: ANSI/J-STD-002)  
Test A for through-hole mount and surface mount leaded.  
Test B for surface mount leadless components.

### Terminal Strength:

MIL-STD 202, Method 208, Condition A (2.3kg or 5 lbs)

### Resistance to Solvents:

MIL-STD 202, Method 215

### Resistance to Soldering Heat:

MIL-STD 202, Method 210, Test Condition C

## ELECTRICAL

### Capacitance @ 25°C:

Within specified tolerance and following test conditions per MIL-STD 202, Method 305.

C0G, X7R & X5U  
> 100pF with 1.0 vrms @ 1 kHz with 1.0 vrms  
< 100pF with 1.0 vrms @ 1 MHz with 1.0 vrms

### Dissipation Factor @ 25°C:

Same test conditions as capacitance.  
C0G - 0.15% maximum  
X7R - 2.5% maximum  
X5U - 2.5% maximum

### Insulation Resistance @25°C:

MIL-STD 202, Method 302  
C0G & X7R:  
100 gigohm or 1 gigohm x uF, whichever is less.  
<500V test @ rated voltage, >1kV test @ 500V.

X5U:  
10 gigohm or 100 megohm x uF, whichever is less.  
<500V test @ rated voltage, >1kV test @ 500V.

### Dielectric Withstanding Voltage:

MIL-STD 202, Method 301  
<200V test @ 250% of rated voltage  
500V to 1250V test @ 150% of rated voltage  
>1251V test @ 120% of rated voltage

## ENVIRONMENTAL

### Vibration:

MIL-STD 202, Method 204, Condition D (20g)

### Shock:

MIL-STD 202, Method 213, Condition I (100g)

### Life Test:

MIL-STD 202, Method 108

### <200V

C0G - 200% rated voltage @ +125°C  
X7R - 200% rated voltage @ +125°C

### >500V

C0G - rated voltage @ +125°C  
X7R - rated voltage @ +125°C  
X5U - rated voltage @ +85°C

### Post Test Limits @ 25°C are:

#### Capacitance Change:

C0G (< 200V) - +3% or 0.25pF, whichever is greater.  
C0G (> 500V) - +3% or 0.50pF, whichever is greater.  
X7R - + 20% of initial value (2)

#### Dissipation Factor:

C0G - 0.25% maximum  
X7R & X5U - 3.0% maximum

#### Insulation Resistance:

C0G & X7R:  
100 gigohm or 1 gigohm x uF, whichever is less.  
<500V test @ rated voltage, >1kV test @ 500V.

#### X5U:

10 gigohm or 100 megohm x uF, whichever is less.  
<500V test @ rated voltage, >1kV test @ 500V.

### Moisture Resistance:

MIL-STD 202, Method 106

Post Test Limits @ 25°C are:

#### Capacitance Change:

C0G (< 200V) - +3% or 0.25pF, whichever is greater.  
C0G (> 500V) - +3% or 0.50pF, whichever is greater.  
X7R - + 20% of initial value (2)

#### Dissipation Factor:

C0G - 0.25% maximum  
X7R & X5U - 3.0% maximum

#### Insulation Resistance:

C0G & X7R:  
100 gigohm or 1 gigohm x uF, whichever is less.  
<500V test @ rated voltage, >1kV test @ 500V.

#### X5U:

10 gigohm or 100 megohm x uF, whichever is less.  
<500V test @ rated voltage, >1kV test @ 500V.

### Thermal Shock:

MIL-STD 202, Method 107, Condition A

C0G & X7R: -55°C to 125°C

X5U: -55°C to 85°C

- (1) +53 PPM -30 PPM/ °C from +25°C to -55°C, + 60 PPM below 10pF.
- (2) X7R & X5U dielectrics exhibit aging characteristics; therefore, it is highly recommended that capacitors be deaged for 2 hours at 150°C and stabilized at room temperature for 48 hours before capacitance measurements are made.

	HIGH TEMPERATURE	HIGH VOLTAGE
<b>MILITARY &amp; AEROSPACE</b>		
Avionics	X	X
Radar Systems	X	X
Telemetry, Data Tx/Rx		X
Control Systems	X	
<b>MEDICAL</b>		
.5 to 1.5 Tesla MR1 &		X
NM1 Tuning Coils		X
1 to 3 Tesla MR1 Gradient		X
Coils & Magnetic Rings		X
CT-Scanner		X
Medical MRI		X
X-Ray Generator	X	X
<b>SEMICONDUCTOR</b>		
RF Tuning Networks		X
RF Power Supplies		X
Semiconductor Manufacturing	X	
<b>SECURITY</b>		
Handheld Scanners		X
Intruder Detection Systems		X
Luggage Scanners		X
Metal/Explosive Detector		X
<b>OTHER</b>		
LCD Backlight Inverter		X
Electric Ballast for CFL	X	X
Electric Ballast for Fluorescent Lamp	X	X
Measurement Equipment	X	X
Microwave/Convection Ovens	X	X
<b>POWER SUPPLY</b>		
HV Power Supply	X	X
Power Station Equipment		X
Power Supply for Air Conditioner, Washing Machine		X
Inverter Power Supply-AC	X	
<b>TELECOM</b>		
Base Station Power amps		X
Broadcasting Equipment		X
<b>MODEM</b>		
DAA Modem		X
xDSL Modem		X
LAN, Router, HUB, Switches		X
RF Power Amplifiers		X
<b>INDUSTRIAL</b>		
Oil Rigging, Down Hole, Mining	X	X

# KEMET High Voltage Technical Summary

	ELECTRICAL			ENVIRONMENTAL	MECHANICAL
	Voltage Range	Capacitance Range	Dissipation Factor	Operating Temperature Range	Configuration
<b>HIGH VOLTAGE</b>					
Radial Conformally Coated					
Std	C0G/X7R: 500 to 10k VDC	C0G:12 pF - .330µF X7R: 220 pF - 5.6 µF	C0G: 0.15% max X7R: 2.5% max	C0G: -55°C to + 125°C X7R: -55°C to + 125°C	Radial
Mil-PRF-49467 Equivalent	C0G/X7R: 600 to 5k VDC	C0G: 12 pF - .68 µF X7R: 27 pF - .47 µF	C0G: 0.15% max X7R: 2.5% max	C0G/X7R: -55°C to + 125°C	Radial
Space Quality	C0G/X7R: 500 to 10k VDC	C0G/X7R: 560 pF - 2.20µF	C0G: 0.15% max X7R: 2.5% max	C0G/X7R: -55°C to + 125°C	Radial
Ceramic Surface Mount Chip					
Military	C0G/X7R: 500 to 5k VDC	C0G: 12 pF - .10 µF X7R: 270 pF - 2.50 µF	C0G: 0.15% max X7R: 2.5% max	C0G/X7R: -55°C to + 125°C	Chip
Leaded Chips J or L lead	C0G/X7R: 500 to 10k VDC	C0G: 12 pF-.330 µF X7R: 220 pF-5.6 uF	C0G: 0.15% max X7R: 2.5% max	C0G/X7R: -55°C to + 125°C	Leaded Chip J or L Lead
Disc	C0G/X5U: 3k to 20k VDC, X7R:3k to 50k VDC	C0G: 1.2 pF-236 pF X7R: 10 p -7400 pF X5U: 80 pF-17300 pF	C0G: 0.15% max X7R: 2.5% max X5U: 2.5% max	C0G/X7R: -55°C to + 125°C X5U: -55°C to + 85°C	Disc
Disc Stack	C0G/X7R/X5U: 5k to 20k VDC	C0G: 1.2 pF-141 pF X7R: 37 pF-4400 pF X5U: 80 pF-10400 pF	C0G: 0.15% max X7R: 2.5% max X5U: 2.5% max	C0G/X7R: -55°C to + 125°C X5U: -55°C to + 85°C	Disc Stack

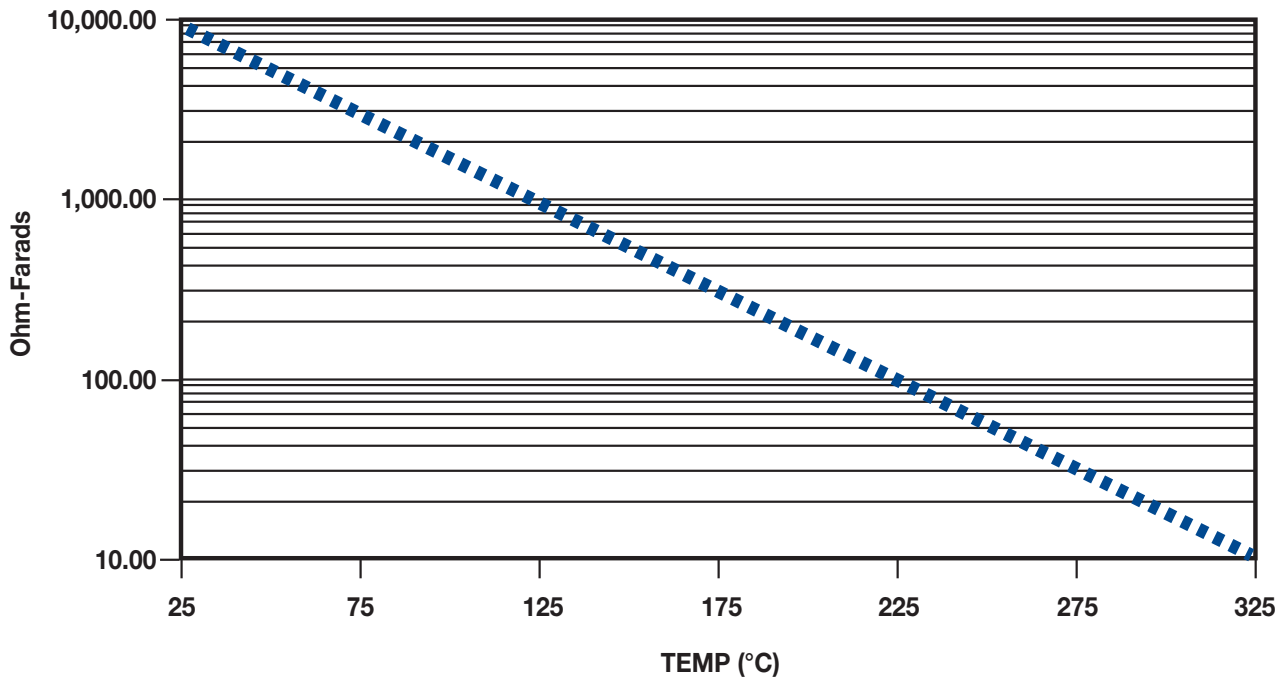
## HIGH TEMPERATURE

Hi Temp (HT/HP)	100 to 200 VDC	-C0G: 22 pF-.100 µF X7R:1000 pF-1.0µF	C0G 0.15% X7R Type 2.0% X7R 2.50%	-55°C to + 200°C	Axial/Radial
Hi Temp Hi Volt (HV)	500 to 4000 VDC	C0G: 390 pF-.015 µF X7R:1400 pF- .270 µF	C0G 0.15% X7R Type 2.0% X7R 2.50%	-55°C to + 200°C	Radial
<b>Ceramic Cased Capacitor</b>					
Std 125°C (SCR/SRR/SCA/SRA)	50 to 200 VDC	C0G: 1.0 pF - .12 µF X7R:100 pF- 6.8 µF	C0G 0.15% X7R 2.50%	-55°C to + 125°C	Axial/Radial
200°C (ACR/ARR/ACA/ARA)	50 to 100 VDC	C0G: 1.0 pF - .12 µF X7R:100 pF- 3.3 µF	C0G 0.15% X7R 2.50%	-55°C to + 200°C	Axial/Radial
260°C (TCR/TRR/TCA/TRA)	50 to 100 VDC	C0G: 1.0 pF - .12 µF X7R:100 pF- 3.3 µF	C0G 0.15% X7R 2.50%	-55°C to + 260°C	Axial/Radial
Hi Temp Hi Volt (VCR/VRR)	500 to 5000 VDC	C0G: 10 pF-.056 µF X7R:330 pF-1.2µF	C0G 0.15% X7R 2.50%	-55°C to + 200°C	Radial

**DIELECTRIC COMPARISONS**

Features	Ultra Stable	Semi-Stable High Voltage	Semi-Stable Hi-Temp	Temp/Volt Dependent
Dielectric Type	C0G (NP0)	X7R	X7R type	X5U
Temperature Coefficient	0 ±30ppm/°C	±15%	+15/-40%	+22-56%
Operating Temp. Range	-55 to +200°C	-55 to +125°C	-55 to +200°C	-55 to +125°C
Dissipation Factor	0.1% max.	2.5% max.	2.0% max.	2.5% max.
Aging Rate	None	-2.0% max/dec. hour	-2.0% max/dec. hour	-2.0% max/dec. hour
Voltage Range	25 to 20k VDC	50 to 50k VDC	25 to 4k VDC	Up to 20K VDC
Standard Tolerance	J, K, M	K, M, P, Z	K, M, P, Z	M, P, Z
Coefficient of Thermal Expansion @ 25°C	9 X 10 <sup>-6</sup> IN/IN °C	11 X 10 <sup>-6</sup> IN/IN °C	11 X 10 <sup>-6</sup> IN/IN °C	11 X 10 <sup>-6</sup> IN/IN °C

**TYPICAL INSULATION RESISTANCE VS. TEMP (°C)  
FOR C0G, NP0 & X7R DIELECTRICS**



# High Temperature (+200°C) Axial and Radial Ceramic Capacitors HT/HP Series

## FEATURES

The HT/HP Series is used in robust applications

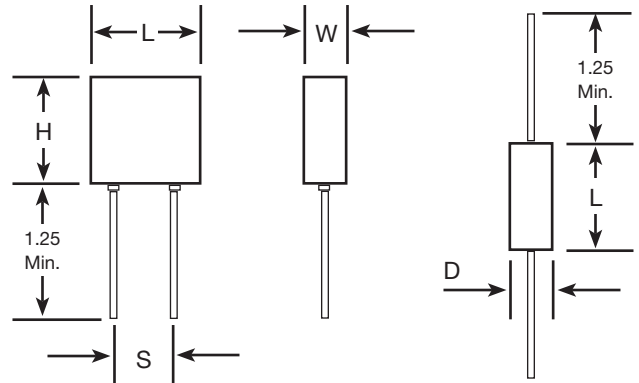
- Down Hole
- Industrial
- Harsh Environments

**Where a Radial/Axial coated capacitor can withstand high temperatures (200°C).**

**NOTE:**

Other tolerances, higher capacitance values, voltages, or special package configurations are available upon request.

## CAPACITOR OUTLINE DRAWING



## DIMENSIONS

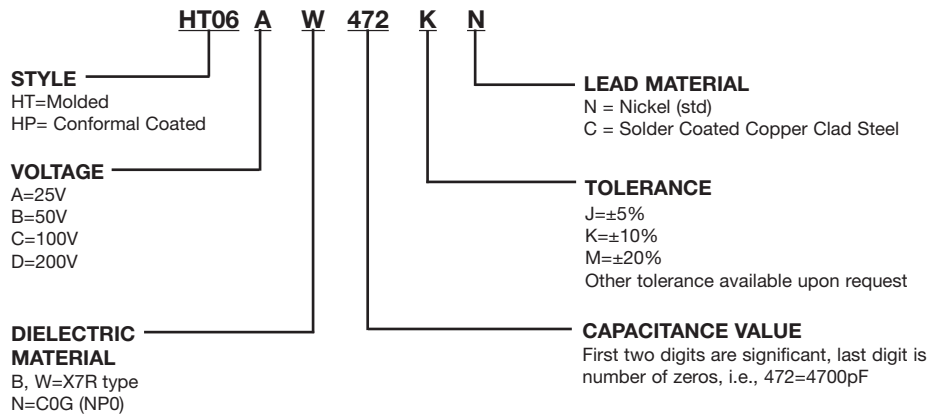
Molded (HT) and Conformal Coated (HP), Radial Lead Types

Style	Sizes in Inches (mm) max			Lead Spacing ±0.030 (S)
	Length (L)	Height (H)	Thickness (W)	
HT05	.200 (5.08)	.200 (5.08)	.100 (2.54)	.100 (2.54)
HT55	.200 (5.08)	.200 (5.08)	.100 (2.54)	.200 (5.08)
HT06	.300 (7.62)	.300 (7.62)	.150 (3.81)	.200 (5.08)
HT08	.500 (12.70)	.500 (12.70)	.250 (6.35)	.400 (10.16)
HT09	.700 (17.78)	.400 (10.16)	.200 (5.08)	.500 (12.70)

Tubular Case, Axial Lead Types

Style	Sizes in Inches (mm) max	
	Length (L)	Diameter (D)
HT11	.170 (4.32)	.100 (2.54)
HT13	.260 (6.60)	.135 (3.43)
HT14	.400 (10.16)	.155 (3.94)
HT15	.500 (12.70)	.200 (5.08)
HT16	.750 (19.05)	.375 (9.52)

## PART NUMBER AND ORDERING INFORMATION



**MARKING**

(HT05, HT55, HT11)  
472K  
KEC

(All other sizes)  
HT06AW472K  
KEC  
Date Code

For CONFORMAL COATED types, change style number to HPXX. HP dimensions will be reduced slightly.







#### FEATURES

The HV series not only withstands high temperatures (200°C), but also offers high voltage (500-4000 VDC)

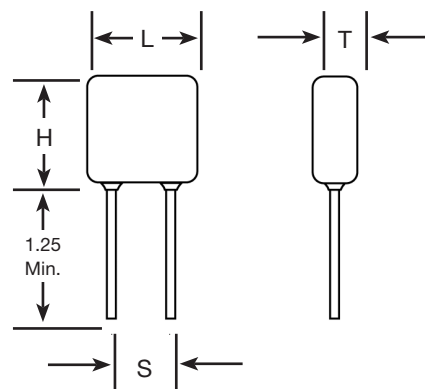
To be used in robust applications

- Down Hole
- Industrial
- Harsh Environments

**NOTE:**

Other tolerances, higher capacitance values, voltages, or special package configurations are available upon request.

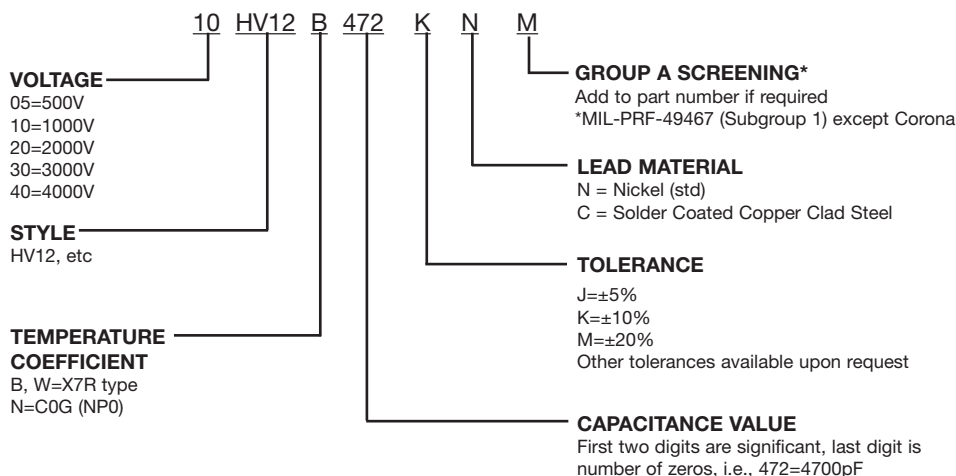
#### CAPACITOR OUTLINE DRAWING



#### DIMENSIONS

Style	Sizes in Inches (mm) max.			Lead Spacing ±0.030 (S)
	Length (L)	Height (H)	Thickness (T)	
<b>HV10</b>	.250 (6.35)	.220 (5.59)	.150 (3.81)	.170 (4.32)
<b>HV11</b>	.320 (8.13)	.300 (7.62)	.250 (6.35)	.200 (5.08)
<b>HV12</b>	.420 (10.67)	.400 (10.16)	.250 (6.35)	.300 (7.62)
<b>HV13</b>	.520 (13.21)	.500 (12.70)	.300 (7.62)	.400 (10.16)
<b>HV14</b>	.620 (15.75)	.500 (12.70)	.300 (7.62)	.500 (12.70)
<b>HV15</b>	.720 (18.29)	.700 (17.78)	.300 (7.62)	.600 (15.24)
<b>HV16</b>	.820 (20.83)	.700 (17.78)	.350 (8.89)	.700 (17.78)

#### PART NUMBER AND ORDERING INFORMATION



**MARKING**  
(HV10, HV11)

472M  
KEC  
Date Code

(All other sizes)  
HV12B472M  
1kV

KEC  
Date Code

# High Temperature (+200°C), High Voltage Radial Ceramic Capacitors

## HV Series

### COG DIELECTRIC

STYLE	HV10			HV11			HV12			HV13			HV14				HV15				HV16											
	L <sub>MAX</sub>	H <sub>MAX</sub>	T <sub>MAX</sub>	S± .030	Lead Dia. +0.004/- .002	WVDC	WVDC	WVDC	WVDC	WVDC	WVDC	WVDC	WVDC	WVDC	WVDC	WVDC	WVDC	WVDC	WVDC	WVDC	WVDC	WVDC	WVDC	WVDC	WVDC	WVDC						
Cap	Cap Code	500	1k	2k	500	1k	2k	3k	500	1k	2k	3k	500	1k	2k	3k	500	1k	2k	3k	4k	500	1k	2k	3k	4k	500	1k	2k	3k	4k	
12pF	120																															
15	150																															
18	180																															
22	220																															
27	270																															
33	330																															
39	390																															
47	470																															
56	560																															
68	680																															
82	820																															
100	101																															
120	121																															
150	151																															
180	181																															
220	221																															
270	271																															
330	331																															
390	391																															
470	471																															
560	561																															
680	681																															
820	821																															
1000	102																															
1200	122																															
1500	152																															
1800	182																															
2200	222																															
2700	272																															
3300	332																															
3900	392																															
4700	472																															
5600	562																															
6800	682																															
8200	822																															
0.01μF	103																															
0.012	123																															
0.015	153																															

**X7R DIELECTRIC**

STYLE		HV10			HV11			HV12			HV13				HV14				HV15				HV16					
Cap	L <sub>MAX</sub>	.250 (6.35)			.320 (8.13)			.420 (10.67)			.520 (13.21)				.620 (15.75)				.720 (18.29)				.820 (20.83)					
	H <sub>MAX</sub>	.220 (5.59)			.300 (7.62)			.400 (10.16)			.500 (12.70)				.500 (12.70)				.700 (17.78)				.700 (17.78)					
	W <sub>MAX</sub>	.150 (3.81)			.250 (6.35)			.250 (6.35)			.300 (7.62)				.300 (7.62)				.300 (7.62)				.350 (8.89)					
	S± .030	.170 (4.32)			.200 (5.08)			.300 (7.62)			.400 (10.16)				.500 (12.70)				.600 (15.24)				.700 (17.78)					
	Lead Dia. +0.004/-0.002	.025 (.635)			.025 (.635)			.025 (.635)			.025 (.635)				.025 (.635)				.025 (.635)				.025 (.635)					
Cap Code	WVDC		WVDC		WVDC		WVDC		WVDC		WVDC		WVDC		WVDC		WVDC		WVDC		WVDC		WVDC					
	500	1k	2k	500	1k	2k	500	1k	2k	500	1k	2k	3k	500	1k	2k	3k	4k	500	1k	2k	3k	4k	500	1k	2k	3k	4k
270pF	271																											
330	331																											
390	391																											
470	471																											
560	561																											
680	681																											
820	821																											
1000	102																											
1200	122																											
1500	152																											
1800	182																											
2200	222																											
2700	272																											
3300	332																											
3900	392																											
4700	472																											
5600	562																											
6800	682																											
8200	822																											
0.01uF	103																											
0.012	123																											
0.015	153																											
0.018	183																											
0.022	223																											
0.027	273																											
0.033	333																											
0.039	393																											
0.047	473																											
0.056	563																											
0.068	683																											
0.082	823																											
0.100	104																											
0.120	124																											
0.150	154																											
0.180	184																											
0.220	224																											
0.270	274																											
0.330	334																											
0.390	394																											
0.470	474																											
0.560	564																											
0.680	684																											
0.820	824																											
1.000	105																											
1.200	125																											
1.500	155																											
1.800	185																											
2.200	225																											
2.700	275																											
3.300	335																											
3.900	395																											
4.700	475																											
5.600	565																											
6.800	685																											
8.200	825																											

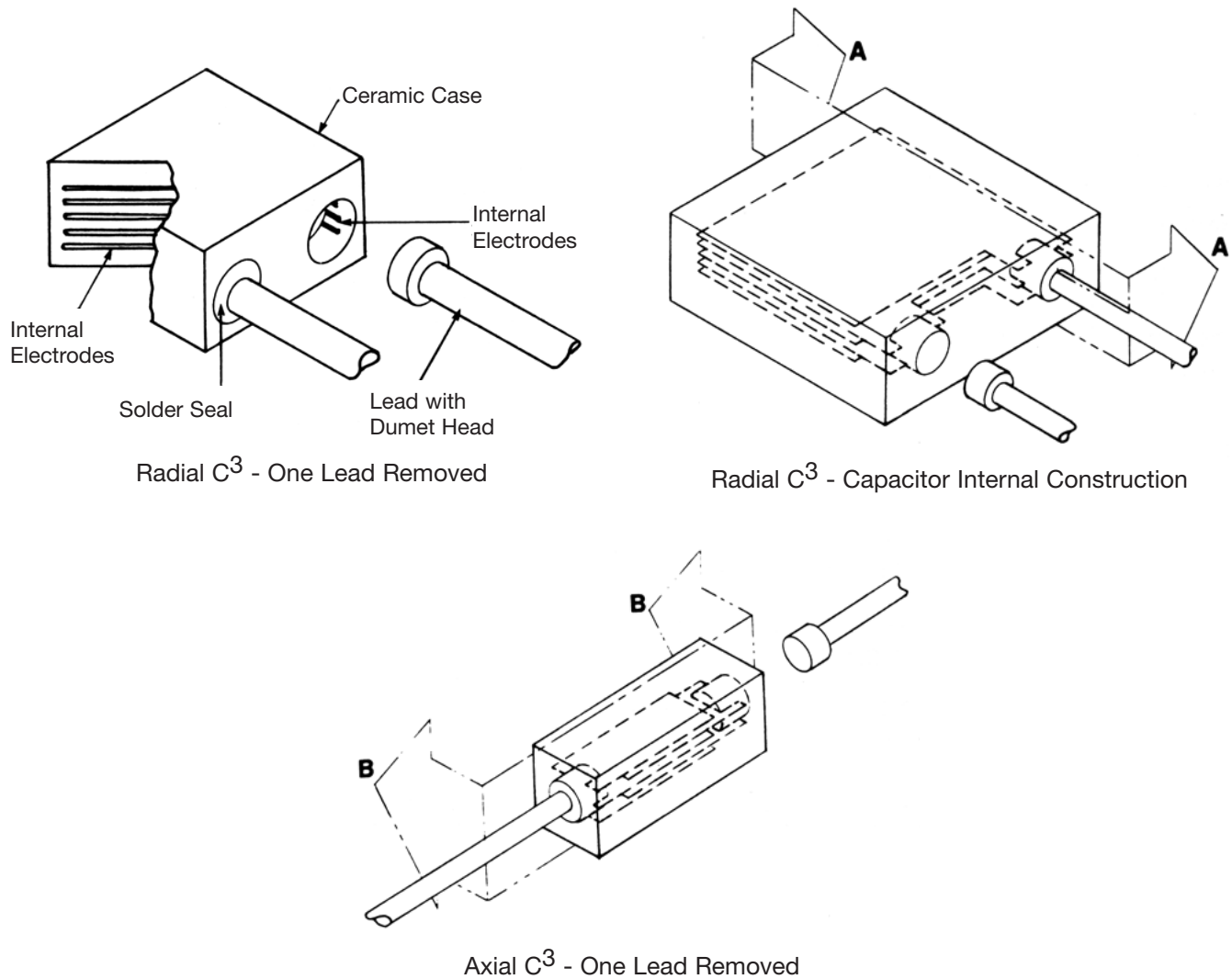
# High Temperature Ceramic Cased Capacitors C<sup>3</sup>

## C3 GENERAL INFORMATION

Monolithic ceramic capacitors are capable of withstanding and operating at temperatures up to +260°C when properly designed and manufactured for this application. A design has been developed which is ideal for operation at these high temperatures. This design is a Ceramic Cased Capacitor (C<sup>3</sup>) as described in PATENT #4,931,899.

The advantages of the C<sup>3</sup> construction at 125°C, 200°C and 260°C are:

- Uniform coefficient of linear expansion eliminates chip cracking during thermal shock.
- No "pull-away" of epoxy potting from epoxy case at elevated temperatures.
- Resistant to moisture penetration.
- Superior volumetric efficiency



**COG**

COG (NPO) capacitors which exhibit little change in capacitance with variations in temperature, are used in RF oscillators, precision timing circuits, wave filters and other circuits requiring a predictable linear temperature coefficient.

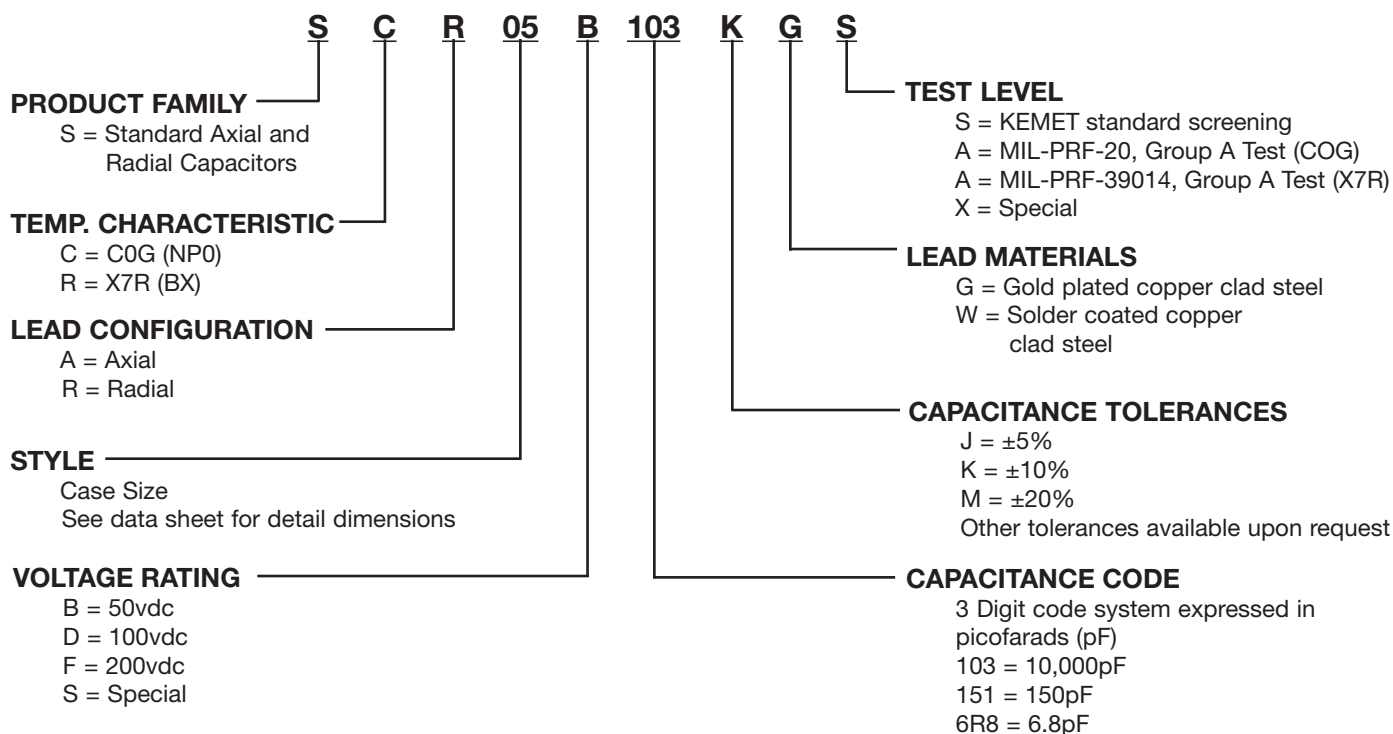
**X7R**

BX and X7R capacitors are used in coupling circuits (IF and RF); for bypassing and decoupling in computers and stereo systems; power supply line filtering and frequency discrimination.

**INSTALLATION:**

Parts should be soldered using a heat sink between the soldering point and the part using a soldering iron rated between 18-30 watts. Soldering temperature should not exceed +300°C. For wave soldering, the parts should be slowly heated to +150°C and, after soldering, be allowed to cool down slowly to +90°C to preclude thermal shocking of the parts.

**PART NUMBER AND ORDERING INFORMATION**



<b>MARKING</b>	
Manufacturer's ID	KEC
Capacitance	106J
Voltage	50V
Date Code	123

Note: Solderability testing is not required for gold leaded parts.







# High Temperature Standard (+200°C) Axial and Radial Ceramic Cased Capacitors (C<sup>3</sup>) ACR/ARR/ACA/ARA Series

High temperature ceramic cased capacitors, with a new, unique design concept, are ideally suited for continuous operation up to +200°C. Problems associated with epoxy cased/epoxy potted capacitors, such as material deterioration, cracks in cases and potted areas, are nonexistent, even at +200°C.

## COG

COG (NPO) capacitors, which exhibit little change in capacitance with variations in temperature, are used in RF oscillators, precision timing circuits, wave filters, and other circuits requiring a predictable linear temperature coefficient.

## X7R

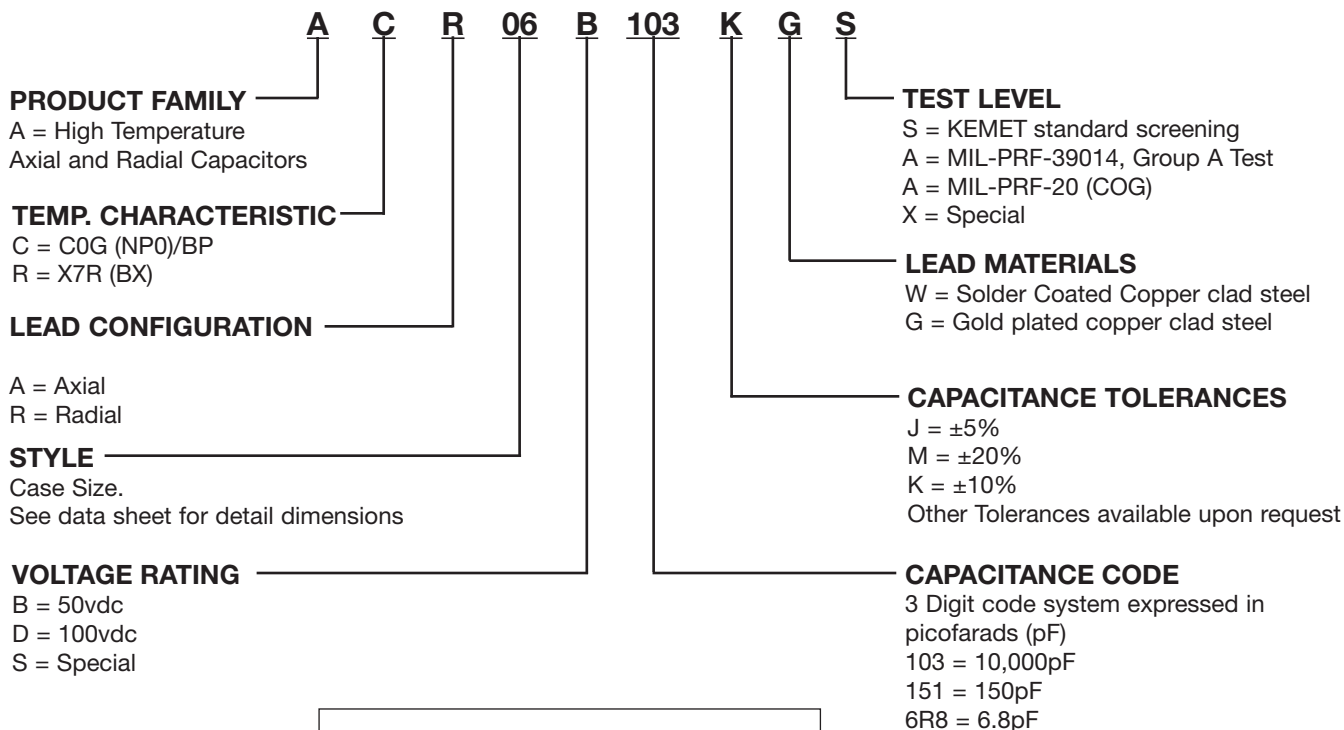
Specially formulated X7R ceramic materials result in a retention of 40% of the +25°C capacitance. Dissipation factor drops from 1.25% at +25°C to 0.1% at +200°C. At +120°C the ceramic undergoes a transformation (crystalline inversion) resulting in the material changing from ferroelectric to paraelectric - no piezoelectric behavior.

Typical applications include oil well logging (down hole), jet engine controls and geophysical pressure probes.

## INSTALLATION:

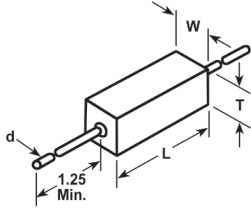
Parts should be soldered using a heat sink between the soldering point and the part using a soldering iron rated between 18-30 watts. Soldering temperature should not exceed +300°C.

## PART NUMBER AND ORDERING INFORMATION

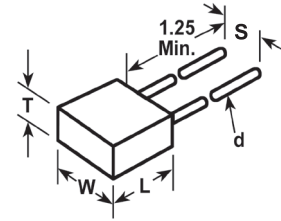


MARKING	
Manufacturer's ID	KEC
Capacitance	106J
Voltage	50V
Date Code	123

**AXIAL**  
All Dimensions  
in Inches (mm)



**RADIAL**  
All Dimensions  
in Inches (mm)



### COG DIELECTRIC

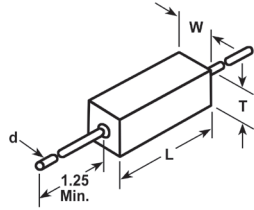
STYLE	AXIAL										RADIAL											
	16		25		39		50		69		05		06		07		08		09			
	L <sub>MAX</sub>	H <sub>MAX</sub>	W <sub>MAX</sub>	s	d	WVDC	WVDC	WVDC	WVDC	WVDC	WVDC	WVDC	WVDC	WVDC	WVDC	WVDC	WVDC	WVDC	WVDC	WVDC		
Cap	Cap Code	50	100	50	100	50	100	50	100	50	100	50	100	50	100	50	100	50	100	50	100	
1.0 pF	109																					
1.2	129																					
1.5	159																					
1.8	189																					
2.2	229																					
2.7	279																					
3.3	339																					
3.9	399																					
4.7	479																					
5.6	569																					
6.8	689																					
8.2	829																					
10	100																					
12	120																					
15	150																					
18	180																					
22	220																					
27	270																					
33	330																					
39	390																					
47	470																					
56	560																					
68	680																					
82	820																					
100	101																					
120	121																					
150	151																					
180	181																					
220	221																					
270	271																					
330	331																					
390	391																					
470	471																					
560	561																					
680	681																					
820	821																					
1000	102																					
1200	122																					
1500	152																					
1800	182																					
2200	222																					
2700	272																					
3300	332																					
3900	392																					
4700	472																					
5600	562																					
6800	682																					
8200	822																					
0.01 μF	103																					
0.012	123																					
0.015	153																					
0.018	183																					
0.022	223																					
0.027	273																					
0.033	333																					
0.039	393																					
0.047	473																					
0.056	563																					
0.068	683																					
0.082	823																					
0.100	104																					
0.120	124																					

# High Temperature Standard (+200°C) Axial and Radial Ceramic Cased Capacitors (C<sup>3</sup>)

## ARR/ARA Series

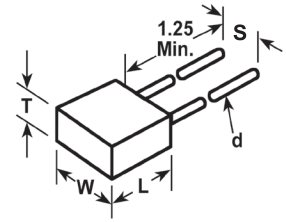
### AXIAL

All Dimensions  
in Inches (mm)



### RADIAL

All Dimensions  
in Inches (mm)



### X7R DIELECTRIC

STYLE		AXIAL										RADIAL											
		16		25		39		50		69		05		06		07		08		09			
Cap	Cap Code	50	100	50	100	50	100	50	100	50	100	50	100	50	100	50	100	50	100	50	100		
		100pF	101																				
		120	121																				
150	151																						
180	181																						
220	221																						
270	271																						
330	331																						
390	391																						
470	471																						
560	561																						
680	681																						
820	821																						
1000	102																						
1200	122																						
1500	152																						
1800	182																						
2200	222																						
2700	272																						
3300	332																						
3900	392																						
4700	472																						
5600	562																						
6800	682																						
8200	822																						
0.01 μF	103																						
0.012	123																						
0.015	153																						
0.018	183																						
0.022	223																						
0.027	273																						
0.033	333																						
0.039	393																						
0.047	473																						
0.056	563																						
0.068	683																						
0.082	823																						
0.100	104																						
0.120	124																						
0.150	154																						
0.180	184																						
0.220	224																						
0.270	274																						
0.330	334																						
0.390	394																						
0.470	474																						
0.560	564																						
0.680	684																						
0.820	824																						
1.000	105																						
1.200	125																						
1.500	155																						
1.800	185																						
2.200	225																						
2.700	275																						
3.300	335																						

High temperature ceramic cased capacitors, with a new, unique design concept, are ideally suited for continuous operation up to +260°C. Problems associated with epoxy cased/epoxy potted capacitors, such as material deterioration, cracks in cases and potted areas, are nonexistent, even at +260°C.

**COG**

COG (NPO) capacitors, which exhibit little change in capacitance with variations in temperature, are used in RF oscillators, precision timing circuits, wave filters, and other circuits requiring a predictable linear temperature coefficient.

**X7R**

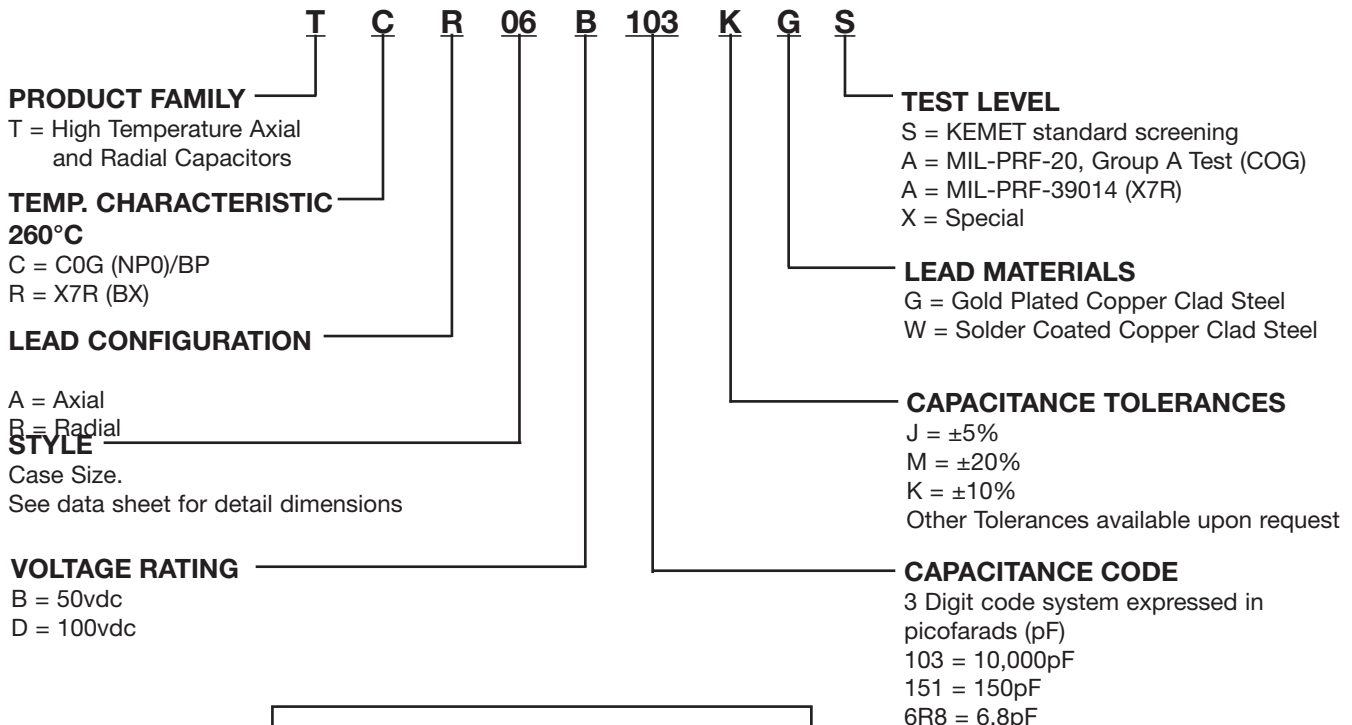
Conventional X7R materials lose up to 75% of the +25°C capacitance. Dissipation factor drops from 1.25% at +25°C to 0.2% at +260°C. At +120°C the ceramic undergoes a transformation (crystalline inversion) resulting in the material changing from ferroelectric to paraelectric - no piezoelectric behavior.

Typical applications include oil well logging (down hole), jet engine controls and geophysical pressure probes.

**INSTALLATION:**

Parts should be soldered using a heat sink between the soldering point and the part using a soldering iron rated 18-30 watts. Remove all traces of flux or other contamination resulting from the soldering operation. An intermittent conducting path between the leads, at high voltage, could cause breakdown. Soldering temperature should not exceed +300°C.

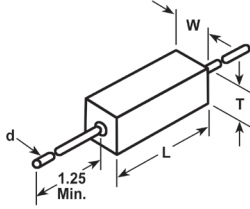
**PART NUMBER AND ORDERING INFORMATION**



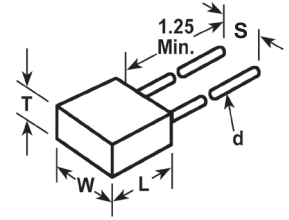
MARKING	EXAMPLE
Manufacturer's ID	KEC
Capacitance	106J
Voltage	50V
Date Code	123
Red dot = +260°C	•

# High Temperature (+260°C) Axial and Radial Ceramic Cased Capacitors (C<sup>3</sup>) TCR/TCA Series

**AXIAL**  
All Dimensions  
in Inches (mm)



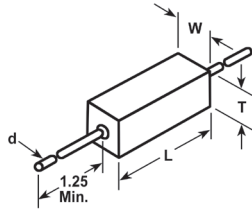
**RADIAL**  
All Dimensions  
in Inches (mm)



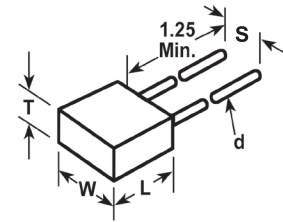
**COG DIELECTRIC**

STYLE		AXIAL										RADIAL									
		16		25		39		50		69		05		06		07		08		09	
Cap	Cap Code	WVDC		WVDC		WVDC		WVDC		WVDC		WVDC		WVDC		WVDC		WVDC		WVDC	
		50	100	50	100	50	100	50	100	50	100	50	100	50	100	50	100	50	100	50	100
		1.0 pF	109																		
1.2	129																				
1.5	159																				
1.8	189																				
2.2	229																				
2.7	279																				
3.3	339																				
3.9	399																				
4.7	479																				
5.6	569																				
6.8	689																				
8.2	829																				
10.0	100																				
12.0	120																				
15.0	150																				
18.0	180																				
22.0	220																				
27.0	270																				
33.0	330																				
39.0	390																				
47.0	470																				
56.0	560																				
68.0	680																				
82.0	820																				
100	101																				
120	121																				
150	151																				
180	181																				
220	221																				
270	271																				
330	331																				
390	391																				
470	471																				
560	561																				
680	681																				
820	821																				
1000	102																				
1200	122																				
1500	152																				
1800	182																				
2200	222																				
2700	272																				
3300	332																				
3900	392																				
4700	472																				
5600	562																				
6800	682																				
8200	822																				
0.01 μF	103																				
0.012	123																				
0.015	153																				
0.018	183																				
0.022	223																				
0.027	273																				
0.033	333																				
0.039	393																				
0.047	473																				
0.056	563																				
0.068	683																				
0.082	823																				
0.100	104																				
0.120	124																				

**AXIAL**  
All Dimensions  
in Inches (mm)



**RADIAL**  
All Dimensions  
in Inches (mm)



**X7R DIELECTRIC**

STYLE		AXIAL										RADIAL									
		16		25		39		50		69		05		06		07		08		09	
Cap	Cap Code	50	100	50	100	50	100	50	100	50	100	50	100	50	100	50	100	50	100	50	100
		100pF	101																		
	120																				
	150																				
	180																				
	220																				
	270																				
	330																				
	390																				
	470																				
	560																				
	680																				
	820																				
	1000																				
	1200																				
	1500																				
	1800																				
	2200																				
	2700																				
	3300																				
	3900																				
	4700																				
	5600																				
	6800																				
	8200																				
0.01 μF	103																				
	123																				
	0.015																				
	153																				
	0.018																				
	183																				
	0.022																				
	223																				
	0.027																				
	273																				
	0.033																				
	333																				
	0.039																				
	393																				
	0.047																				
	473																				
	0.056																				
	563																				
	0.068																				
	683																				
	0.082																				
	823																				
	0.100																				
	104																				
	0.120																				
	124																				
	0.150																				
	154																				
	0.180																				
	184																				
	0.220																				
	224																				
	0.270																				
	274																				
	0.330																				
	334																				
	0.390																				
	394																				
	0.470																				
	474																				
	0.560																				
	564																				
	0.680																				
	684																				
	0.820																				
	824																				
	1.000																				
	105																				
	1.200																				
	125																				
	1.500																				
	155																				
	1.800																				
	185																				
	2.000																				
	205																				
	2.200																				
	225																				
	2.700																				
	275																				
	3.300																				
	335																				

# High Temperature (+200°C), High Voltage Radial Ceramic Cased Capacitors (C<sup>3</sup>) VCR/VRR Series

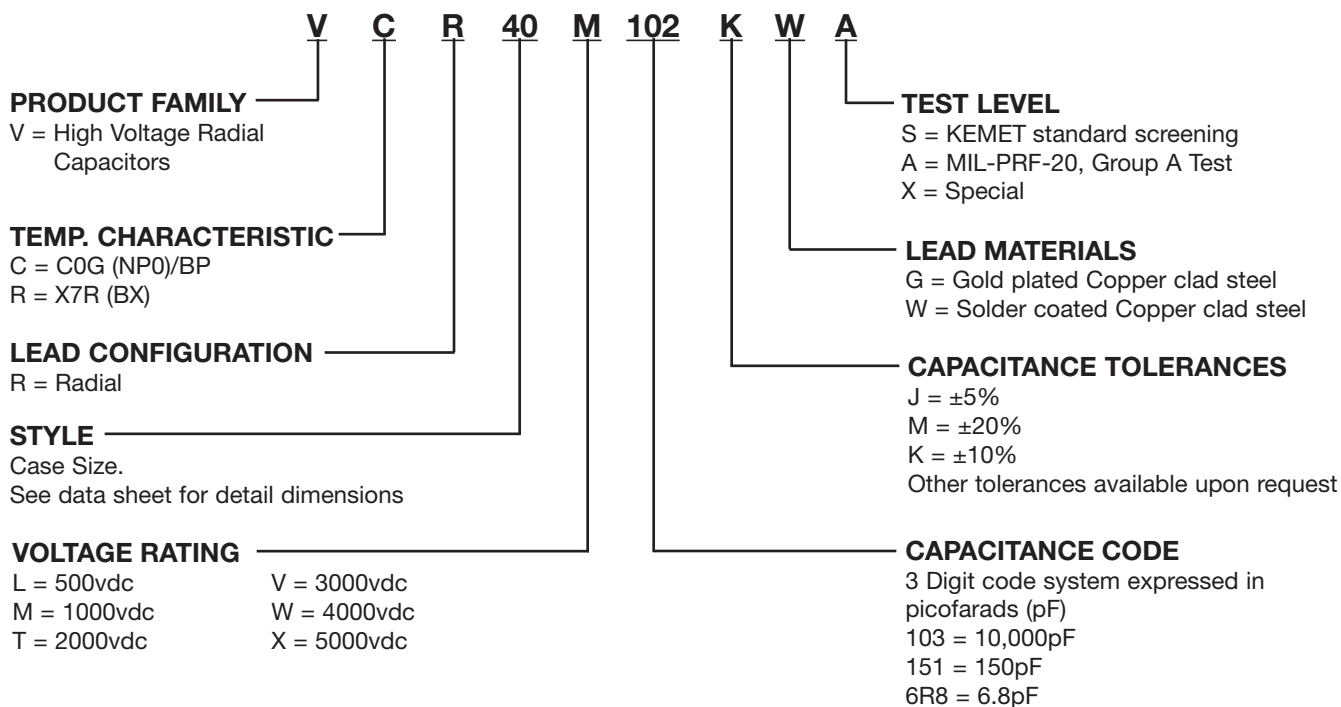
Ceramic cased capacitors, with a new, unique design concept which eliminates potential problems associated with conventional epoxy cased epoxy potted capacitors.

Major application is high voltage power supplies. High voltage capacitors are also utilized on high voltage meter multiplier and RF circuits.

### INSTALLATION:

Parts should be soldered using a heat sink between the soldering point and the part using a soldering iron rated 18-30 watts. Remove all traces of flux or other contamination resulting from the soldering operation. An intermittent conducting path between the leads, at high voltage, could cause breakdown. Soldering temperature should not exceed +300°C.

### PART NUMBER AND ORDERING INFORMATION



MARKING	EXAMPLE
Manufacturer's ID	KEC
Capacitance	106J
Voltage	500V
Date Code	123

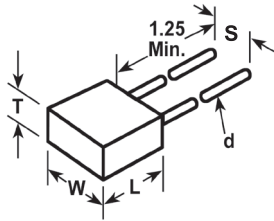




# High Temperature (+200°C), High Voltage Axial and Radial Ceramic Cased Capacitors (C<sup>3</sup>)

## VRR Series

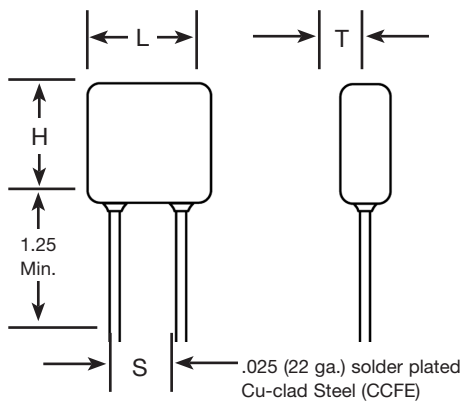
**RADIAL**  
All Dimensions  
in Inches (mm)



### X7R DIELECTRIC

STYLE		07			40					50					60					70					80								
L <sub>MAX</sub>		.300 (7.62)			.350 (8.89)					.450 (11.43)					.550 (13.97)					.650 (16.51)					.750 (19.05)								
H <sub>MAX</sub>		.300 (7.62)			.400 (10.16)					.500 (12.70)					.600 (15.24)					.700 (17.78)					.800 (20.32)								
W <sub>MAX</sub>		.150 (3.81)			.275 (6.98)					.300 (7.62)					.375 (9.52)					.375 (9.52)					.375 (9.52)								
S		.200 ± .015 (5.08 ± .38)			.300 ± .015 (7.62 ± .38)					.400 ± .015 (10.16 ± .38)					.500 ± .015 (12.70 ± .38)					.600 ± .015 (15.24 ± .38)					.700 ± .015 (17.78 ± .38)								
d		.025 ± .002 (.035 ± .051)			.032 ± .004 (.813 ± .102)					.032 ± .004 (.813 ± .102)					.032 ± .004 (.813 ± .102)					.032 ± .004 (.813 ± .102)					.032 ± .004 (.813 ± .102)								
		WVDC			WVDC					WVDC					WVDC					WVDC					WVDC								
Cap	Cap Code	500	1k	2k	500	1k	2k	3k	4k	500	1k	2k	3k	4k	5k	500	1k	2k	3k	4k	5k	500	1k	2k	3k	4k	5k	500	1k	2k	3k	4k	5k
330pF	331																																
390	391																																
470	471																																
560	561																																
680	681																																
820	821																																
1000	102																																
1200	122																																
1500	152																																
1800	182																																
2200	222																																
2700	272																																
3300	332																																
3900	392																																
4700	472																																
5600	562																																
6800	682																																
8200	822																																
0.01 μF	103																																
0.012	123																																
0.015	153																																
0.018	183																																
0.022	223																																
0.027	273																																
0.033	333																																
0.039	393																																
0.047	473																																
0.056	563																																
0.068	683																																
0.082	823																																
0.100	104																																
0.120	124																																
0.150	154																																
0.180	184																																
0.220	224																																
0.270	274																																
0.330	334																																
0.390	394																																
0.470	474																																
0.560	564																																
0.680	684																																
0.820	824																																
1.000	105																																
1.200	125																																

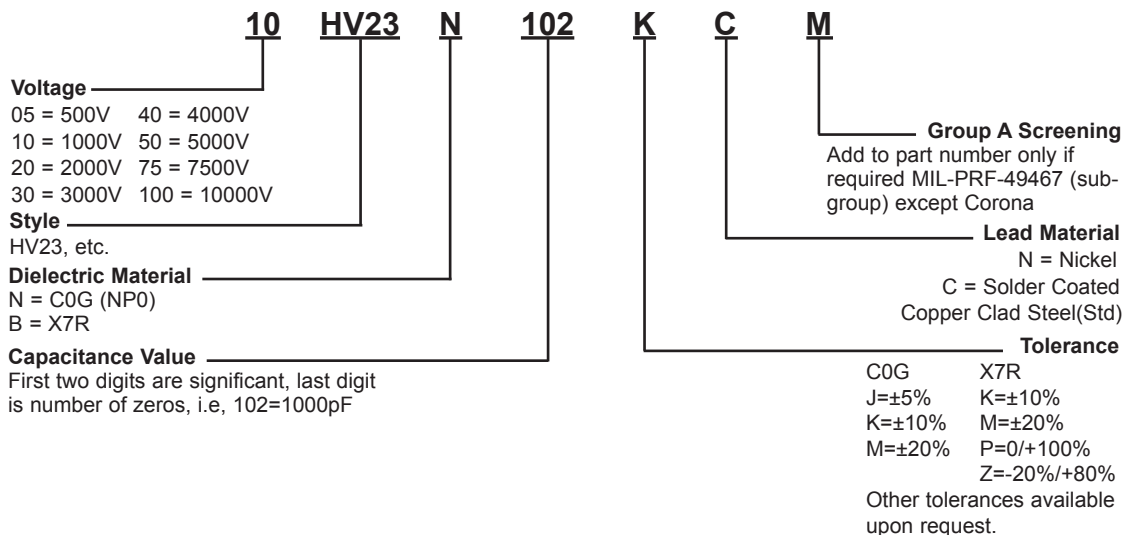
### CAPACITOR OUTLINE DRAWING



### DIMENSIONS

Style	Sizes in Inches (mm) max.			Lead Spacing ±0.030 (S)
	Length (L)	Height (H)	Thickness (T)	
HV20	.250 (6.35)	.220 (5.59)	.200 (5.08)	.170 (4.32)
HV21	.320 (8.13)	.280 (7.11)	.250 (6.35)	.220 (5.59)
HV22	.370 (9.40)	.300 (7.62)	.250 (6.35)	.275 (6.98)
HV23	.470 (11.94)	.400 (10.16)	.270 (6.89)	.375 (9.52)
HV24	.570 (14.48)	.500 (12.70)	.270 (6.89)	.475 (12.06)
HV25	.670 (17.02)	.600 (15.24)	.270 (6.89)	.575 (14.60)
HV26	.770 (19.56)	.720 (18.29)	.270 (6.89)	.675 (17.14)
HV30	.450 (11.43)	.220 (5.59)	.200 (5.08)	.300 (7.62)
HV31	.550 (13.97)	.280 (7.11)	.250 (6.35)	.400 (10.16)
HV33	.850 (21.59)	.400 (10.16)	.270 (6.89)	.700 (17.78)
HV34	1.050 (26.67)	.500 (12.70)	.270 (6.89)	.975 (24.76)
HV35	1.250 (31.75)	.600 (15.24)	.270 (6.89)	1.175 (29.84)
HV36	1.450 (36.83)	.720 (18.29)	.270 (6.89)	1.375 (34.92)

### PART NUMBER AND ORDERING INFORMATION



### MARKING

(HV20, HV21)	(All Other Sizes)
103K	HV24A103K
1 kV	1 kV
KEC	KEC
Date Code	Date Code





# High Voltage Radial Conformally Coated Ceramic Capacitors HV Series

## X7R DIELECTRIC

STYLE		HV20			HV21			HV22			HV23				HV24					HV25					HV26													
Cap	L <sub>MAX</sub>	.250 (6.35)			.320 (8.13)			.370 (9.40)			.470 (11.94)				.570 (14.48)					.670 (17.02)					.770 (19.56)													
	H <sub>MAX</sub>	.220 (5.59)			.280 (7.11)			.300 (7.62)			.400 (10.16)				.500 (12.70)					.600 (15.24)					.720 (18.29)													
	T <sub>MAX</sub>	.200 (5.08)			.250 (6.35)			.250 (6.35)			.270 (6.86)				.270 (6.86)					.270 (6.86)					.270 (6.86)													
	S± .030	.170 (4.32)			.220 (5.59)			.275 (6.98)			.375 (9.52)				.475 (12.06)					.575 (14.60)					.675 (17.14)													
	Lead Dia. *10.004±.002	.025 (.635)			.025 (.635)			.025 (.635)			.025 (.635)				.025 (.635)					.025 (.635)					.025 (.635)													
Cap Code	WVDC			WVDC			WVDC			WVDC				WVDC					WVDC					WVDC														
	500	1k	2k	500	1k	2k	3k	500	1k	2k	3k	500	1k	2k	3k	4k	500	1k	2k	3k	4k	5k	500	1k	2k	3k	4k	5k	500	1k	2k	3k	4k	5k				
270pF	271																																					
330	331																																					
390	391																																					
470	471																																					
560	561																																					
680	681																																					
820	821																																					
1000	102																																					
1200	122																																					
1500	152																																					
1800	182																																					
2200	222																																					
2700	272																																					
3300	332																																					
3900	392																																					
4700	472																																					
5600	562																																					
6800	682																																					
8200	822																																					
0.01uF	103																																					
0.012	123																																					
0.015	153																																					
0.018	183																																					
0.022	223																																					
0.027	273																																					
0.033	333																																					
0.039	393																																					
0.047	473																																					
0.056	563																																					
0.068	683																																					
0.082	823																																					
0.100	104																																					
0.120	124																																					
0.150	154																																					
0.180	184																																					
0.220	224																																					
0.270	274																																					
0.330	334																																					
0.390	394																																					
0.470	474																																					
0.560	564																																					
0.680	684																																					
0.820	824																																					
1.00	105																																					
1.20	125																																					
1.50	155																																					
1.80	185																																					
2.20	225																																					
2.90	295																																					

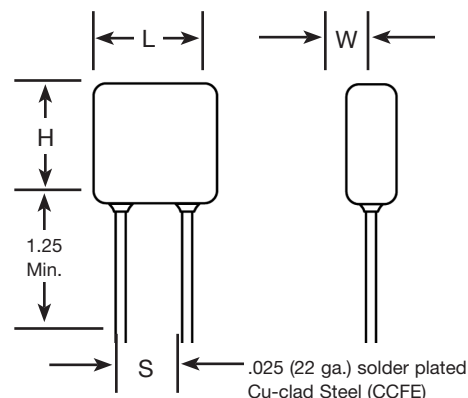


# High Voltage MIL-PRF-49467 (Equivalent) HV Series

## FEATURES

1. Electrical characteristics and environmental information on these parts may be obtained by referring to MIL-PRF-49467.
2. All parts are conformal coated multilayer ceramic.
3. Designed to provide excellent long-term reliability.
4. Parts are Group A screened per MIL-PRF-49467 which includes 100% Corona testing and meet all other specification requirements.
5. Designed for surface, sea and airborne military and commercial high-reliability applications.
6. No IR degradation over life.
7. BR (X7R) V/TC is -40% at rated voltage and BZ (X7R) V/TC is -40% at 60% rated voltage.
8. BX characteristic (-25%) on BR parts is approximately 52% rated voltage.
9. 100% Non-destructive test by means of CSAM inspection available.

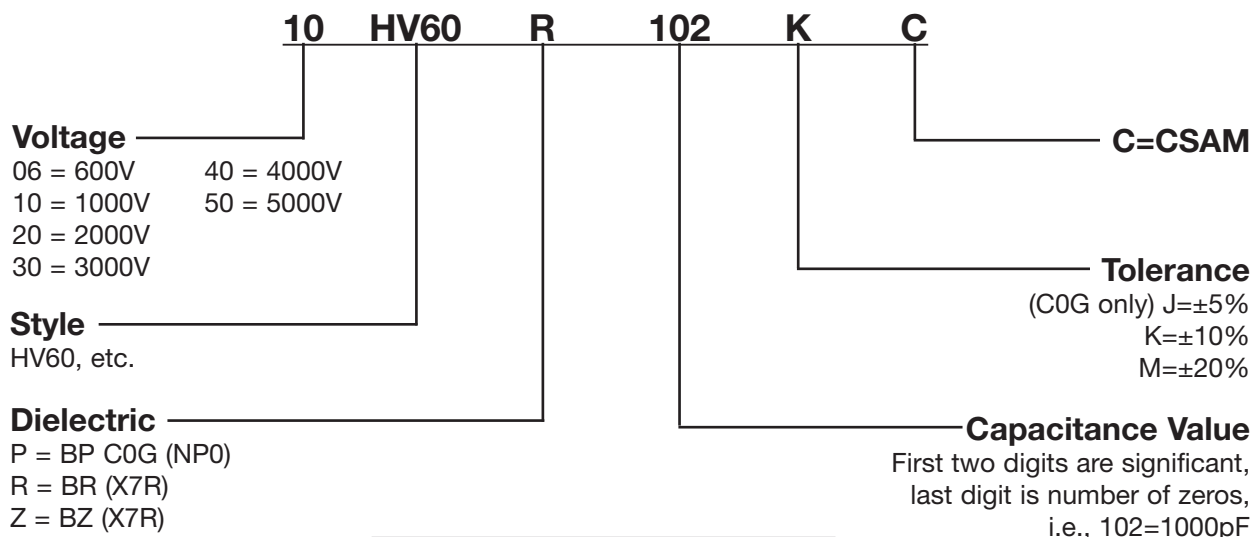
## CAPACITOR OUTLINE DRAWING



## DIMENSIONS

Style	Sizes in Inches (mm) max.			Lead Spacing ±0.030 (S)
	Length (L)	Height (H)	Thickness (W)	
<b>HV60</b>	.250 (6.35)	.220 (5.59)	.200 (5.08)	.170 (4.32)
<b>HV61</b>	.320 (8.13)	.280 (7.11)	.250 (6.35)	.220 (5.59)
<b>HV62</b>	.370 (9.40)	.300 (7.62)	.250 (6.35)	.275 (6.98)
<b>HV63</b>	.470 (11.94)	.400 (10.16)	.270 (6.86)	.375 (9.52)
<b>HV64</b>	.570 (14.48)	.500 (12.70)	.270 (6.86)	.475 (12.06)
<b>HV65</b>	.670 (17.02)	.600 (15.24)	.270 (6.86)	.575 (14.60)
<b>HV66</b>	.770 (19.56)	.720 (18.29)	.270 (6.86)	.675 (17.14)
<b>HV68</b>	1.300 (33.02)	.600 (15.24)	.270 (6.86)	1.175 (29.84)
<b>HV69</b>	1.500 (38.10)	.720 (18.29)	.270 (6.86)	1.375 (34.92)

## PART NUMBER AND ORDERING INFORMATION



MARKING	
(HV60, HV61)	(All Other Sizes)
102K	HV63R102K
1 kV	1 kV
KEC	KEC
Date Code	Date Code





# High Voltage MIL-PRF-49467 (Equivalent) HV Series

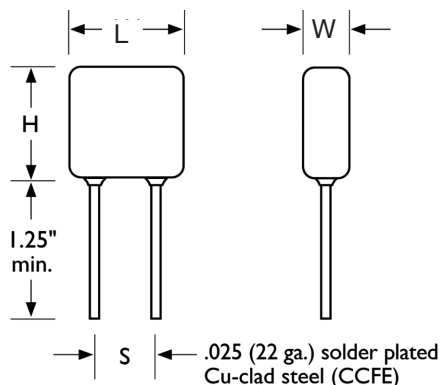
## X7R DIELECTRIC

STYLE		HV60			HV61			HV62			HV63				HV64				HV65				HV66				HV 68			HV 69										
Cap	L <sub>MAX</sub>	.250 (6.35)			.320 (8.13)			.370 (9.40)			.470 (11.94)				.570 (14.48)				.670 (17.02)				.770 (19.56)				1.300 (33.02)			1.500 (38.10)										
	H <sub>MAX</sub>	.220 (5.59)			.280 (7.11)			.300 (7.62)			.400 (10.16)				.500 (12.70)				.600 (15.24)				.720 (18.29)				.600 (15.24)			.720 (18.29)										
	W <sub>MAX</sub>	.200 (5.08)			.250 (6.35)			.250 (6.35)			.270 (6.86)				.270 (6.86)				.270 (6.86)				.270 (6.86)				.270 (6.86)			.270 (6.86)										
	S <sub>± .030</sub>	.170 (4.32)			.220 (5.59)			.275 (6.98)			.375 (9.52)				.475 (12.06)				.575 (14.60)				.675 (17.14)				1.175 (29.84)			1.375 (34.92)										
	Lead Dia. +0.004 -.002	.025 (.635)			.025 (.635)			.025 (.635)			.025 (.635)				.025 (.635)				.025 (.635)				.025 (.635)				0.025 (.635)			0.025 (.635)										
	Cap Code	WVDC			WVDC			WVDC			WVDC				WVDC				WVDC				WVDC				WVDC			WVDC										
		600	1k	2k	600	1k	2k	3k	600	1k	2k	3k	600	1k	2k	3k	4k	600	1k	2k	3k	4k	5k	600	1k	2k	3k	4k	5k	1k	2k	3k	4k	5k	3k	4k	5k	3k	4k	
270pF	271																																							
330	331																																							
390	391																																							
470	471																																							
560	561																																							
680	681																																							
820	821																																							
1000	102																																							
1200	122																																							
1500	152																																							
1800	182																																							
2200	222																																							
2700	272																																							
3300	332																																							
3900	392																																							
4700	472																																							
5600	562																																							
6800	682																																							
8200	822																																							
0.01uF	103																																							
0.012	123																																							
0.015	153																																							
0.018	183																																							
0.022	223																																							
0.027	273																																							
0.033	333																																							
0.039	393																																							
0.047	473																																							
0.056	563																																							
0.068	683																																							
0.082	823																																							
0.100	104																																							
0.120	124																																							
0.150	154																																							
0.180	184																																							
0.220	224																																							
0.270	274																																							
0.330	334																																							
0.390	394																																							
0.470	474																																							

### FEATURES

1. Conforms to MIL-PRF-49467. (Group A Screening, Subgroup 1)
2. 100% Corona tested.
3. No IR degradation over life.
4. High density, low DF ceramic.
5. Conservative and proven design is recommended for non-repairable applications such as spacecraft.
6. CSAM inspection is available and is recommended for space applications.
7. Burn-in in a non-contaminating inert fluid is standard for  $\geq 2\text{KV}$ ; optional for 500V or 1 KV parts.

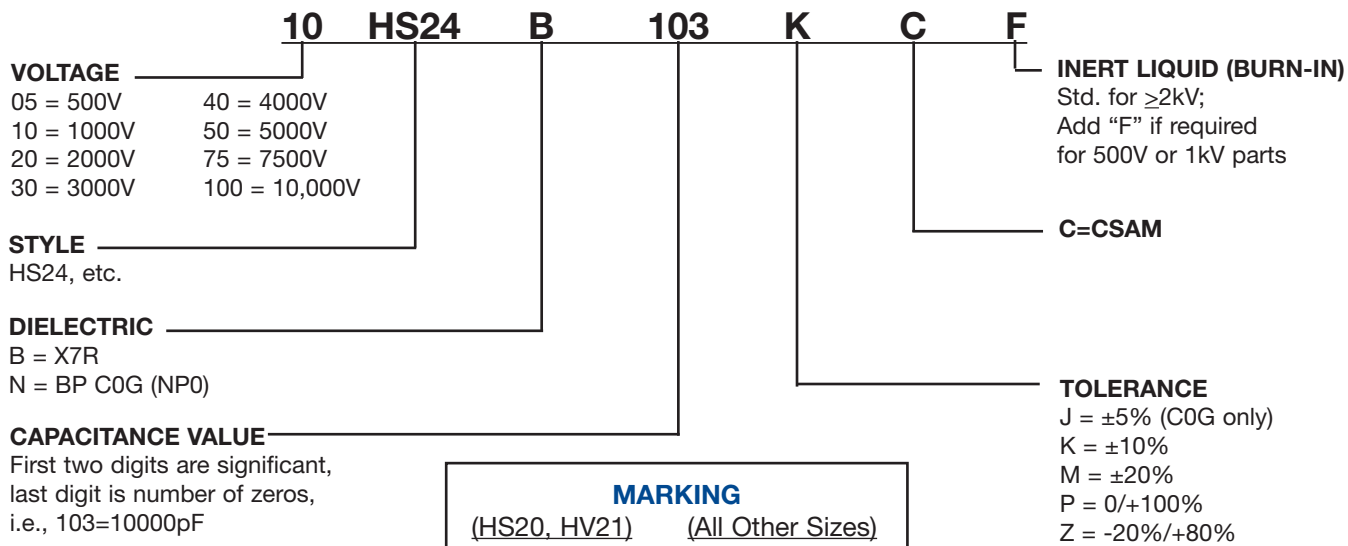
### CAPACITOR OUTLINE DRAWING



### DIMENSIONS

Style	Sizes in Inches (mm) max.			Lead Spacing $\pm 0.030$ (S)
	Length (L)	Height (H)	Thickness (W)	
HS20	.250 (6.35)	.220 (5.59)	.200 (5.08)	.170 (4.32)
HS21	.320 (8.13)	.280 (7.11)	.250 (6.35)	.220 (5.59)
HS22	.370 (9.40)	.300 (7.62)	.250 (6.35)	.275 (6.98)
HS30	.450 (11.43)	.220 (5.59)	.200 (5.08)	.300 (7.62)
HS23	.470 (11.94)	.400 (10.16)	.270 (6.89)	.375 (9.52)
HS31	.550 (13.97)	.280 (7.11)	.250 (6.35)	.400 (10.16)
HS24	.570 (14.48)	.500 (12.70)	.270 (6.89)	.475 (12.06)
HS25	.670 (17.02)	.600 (15.24)	.270 (6.89)	.575 (14.60)
HS26	.770 (19.56)	.720 (18.29)	.270 (6.89)	.675 (17.14)
HS33	.850 (21.59)	.400 (10.16)	.270 (6.89)	.700 (17.78)
HS34	1.050 (26.67)	.500 (12.70)	.270 (6.89)	.975 (24.76)
HS35	1.250 (31.75)	.600 (15.24)	.270 (6.89)	1.175 (29.84)
HS36	1.450 (36.83)	.720 (18.29)	.270 (6.89)	1.375 (34.92)

### PART NUMBER AND ORDERING INFORMATION









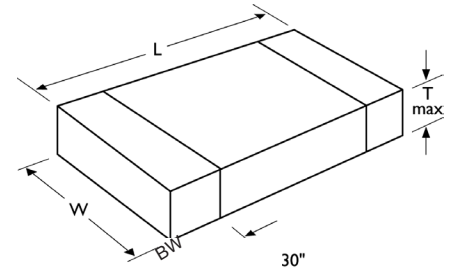


# High Voltage Ceramic Chip (+125°C) Military Equivalent

## FEATURES

1. The ceramic chip capacitors described in this section are the types used in our other high voltage ceramic multilayer product lines.
2. Types BP available as described in MIL-PRF-49467.
3. Group A and B screening per MIL-PRF-49467 available. - TCVC exceptions apply.
4. Ceramic chip capacitors are extremely sensitive to thermal shock damage during installation. Wherever possible, processes involving infrared or vapor phase soldering systems should be utilized.
5. Higher voltages available upon request.
6. Where nickel barrier termination is required, bandwidth dimensions may exceed the standard dimension listed.

## CERAMIC CHIP OUTLINE DRAWING

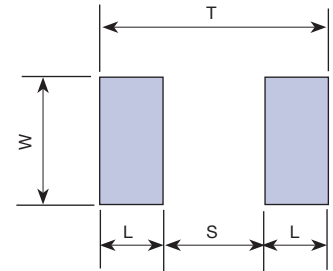


## DIMENSIONS

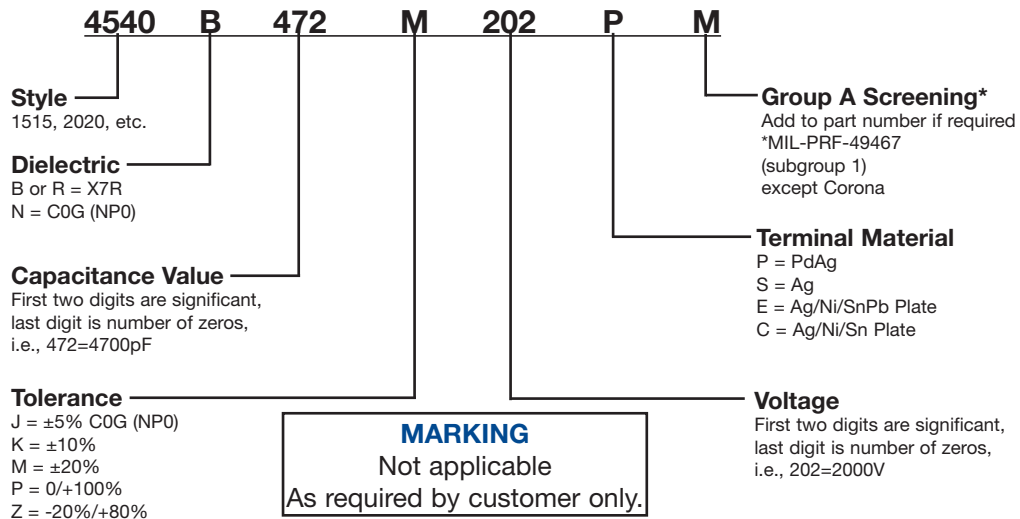
Style	Length (L) Inches (mm)	Width (W) Inches (mm)	Thickness (T) max Inches (mm)	Bandwidth (BW) Inches
1515	.150 ±.015 (3.81 ±.38)	.150 ±.015 (3.81 ±.38)	.140 (3.55)	.010 - .030"
1812	.180 ±.020 (4.57 ±.51)	.120 ±.015 (3.05 ±.38)	.100 (2.54)	.010 - .040"
1825	.180 ±.020 (4.57 ±.51)	.250 ±.020 (6.35 ±.51)	.160 (4.07)	.010 - .040"
2020	.200 ±.020 (5.08 ±.51)	.200 ±.020 (5.08 ±.51)	.180 (3.55)	.010 - .040"
2225	.220 ±.020 (5.59 ±.51)	.250 ±.020 (6.35 ±.51)	.200 (5.08)	.010 - .040"
2520	.250 ±.020 (6.35 ±.51)	.200 ±.020 (5.08 ±.51)	.180 (4.57)	.030 - .060"
3333	.330 ±.030 (8.38 ±.76)	.330 ±.030 (8.38 ±.76)	.220 (5.59)	.030 - .060"
3530	.350 ±.030 (8.89 ±.76)	.300 ±.030 (7.62 ±.76)	.220 (5.59)	.030 - .060"
4040	.400 ±.030 (10.2 ±.76)	.400 ±.030 (10.2 ±.76)	.220 (5.59)	.030 - .060"
4540	.450 ±.030 (11.43 ±.76)	.400 ±.030 (10.2 ±.76)	.220 (5.59)	.030 - .060"
5440	.540 ±.030 (13.7 ±.76)	.400 ±.030 (10.2 ±.76)	.220 (5.59)	.030 - .060"
5550	.550 ±.030 (14.0 ±.76)	.500 ±.030 (12.7 ±.76)	.220 (5.59)	.030 - .060"
6560	.650 ±.030 (16.5 ±.76)	.600 ±.030 (15.2 ±.76)	.220 (5.59)	.030 - .060"

## RECOMMENDED SOLDER PAD PATTERN DIMENSIONS

Chip Size	T (Total Length)		S (Separation)		W (Pad Width)		L (Pad Length)	
	mm	in.	mm	in.	mm	in.	mm	in.
1515	5.20	0.205	1.90	0.075	4.34	0.171	1.65	0.065
1812	5.90	0.232	2.30	0.091	3.70	0.146	1.80	0.071
1825	5.90	0.232	2.30	0.091	6.90	0.272	1.80	0.071
2020	6.50	0.256	2.80	0.110	5.62	0.221	1.85	0.073
2225	7.00	0.276	3.30	0.130	6.80	0.268	1.85	0.073
2520	8.68	0.342	4.98	0.196	5.62	0.221	1.85	0.073
3333	10.91	0.430	7.11	0.280	9.27	0.365	1.90	0.075
3530	11.51	0.453	7.61	0.300	8.51	0.335	1.95	0.077
4040	12.88	0.507	8.88	0.350	11.05	0.435	2.00	0.079
4540	14.21	0.559	10.15	0.400	11.05	0.435	2.03	0.080
5440	16.51	0.650	10.41	0.410	11.05	0.435	3.05	0.120
5550	18.92	0.745	12.82	0.505	13.59	0.535	3.05	0.120
6560	19.80	0.780	13.20	0.520	16.13	0.635	3.30	0.130



## PART NUMBER AND ORDERING INFORMATION



**COG DIELECTRIC**

STYLE	1515				1812				1825				2020				2225				2520				3333					3530							
	L																																				
W																																					
T <sub>MAX</sub>																																					
Band Width																																					
Cap	Cap Code	WVDC			WVDC			WVDC			WVDC			WVDC			WVDC			WVDC			WVDC			WVDC											
		500	1k	2k	3k	500	1k	2k	3k	500	1k	2k	3k	500	1k	2k	3k	500	1k	2k	3k	500	1k	2k	3k	500	1k	2k	3k	4k	500	1k	2k	3k	4k		
12pF	120																																				
15	150																																				
18	180																																				
22	220																																				
27	270																																				
33	330																																				
39	390																																				
47	470																																				
56	560																																				
68	680																																				
82	820																																				
100	101																																				
120	121																																				
150	151																																				
180	181																																				
220	221																																				
270	271																																				
330	331																																				
390	391																																				
470	471																																				
560	561																																				
680	681																																				
820	821																																				
1000	102																																				
1200	122																																				
1500	152																																				
1800	182																																				
2200	222																																				
2700	272																																				
3300	332																																				
3900	392																																				
4700	472																																				
5600	562																																				
6800	682																																				
8200	822																																				
0.010uF	103																																				
0.012	123																																				
0.015	153																																				
0.018	183																																				
0.022	223																																				



# High Voltage Ceramic Chip (+125°C) Military Equivalent

## COG DIELECTRIC

STYLE		4040					4540					5440					5550					6560							
Cap	L	.400 ± .030 (10.20 ± .76)					.450 ± .030 (11.43 ± .76)					0.540 ± .030 (13.70 ± .76)					.550 ± .030 (14.00 ± .76)					.650 ± .030 (16.50 ± .76)							
	W	.400 ± .030 (10.20 ± .76)					.400 ± .030 (10.20 ± .76)					.400 ± .030 (10.20 ± .76)					.500 ± .030 (10.20 ± .76)					.600 ± .030 (15.20 ± .76)							
	T <sub>MAX</sub>	.220 (5.59)					.220 (5.59)					.220 (5.59)					.220 (5.59)					.220 (5.59)							
	Band Width	0.030 - 0.060					0.030 - 0.060					0.030 - 0.060					0.030 - 0.060					.030-.060							
	Cap Code	WVDC					WVDC					WVDC					WVDC					WVDC							
		500	1k	2k	3k	4k	500	1k	2k	3k	4k	5k	500	1k	2k	3k	4k	500	1k	2k	3k	4k	5k	500	1k	2k	3k	4k	5k
18pF	180																												
22	220																												
27	270																												
33	330																												
39	390																												
47	470																												
56	560																												
68	680																												
82	820																												
100	101																												
120	121																												
150	151																												
180	181																												
220	221																												
270	271																												
330	331																												
390	391																												
470	471																												
560	561																												
680	681																												
820	821																												
1000	102																												
1200	122																												
1500	152																												
1800	182																												
2200	222																												
2700	272																												
3300	332																												
3900	392																												
4700	472																												
5600	562																												
6800	682																												
8200	822																												
0.010uF	103																												
0.012	123																												
0.015	153																												
0.018	183																												
0.022	223																												
0.027	273																												
0.033	333																												
0.039	393																												
0.047	473																												
0.056	563																												
0.068	683																												
0.082	823																												
0.100	104																												

**X7R DIELECTRIC**

STYLE		1515			1812			1825				2020				2225				2520				3333				3530							
Cap	L	.150 ± .015 (3.81 ± .38)			.180 ± .020 (4.57 ± .51)			.180 ± .020 (4.57 ± .51)				.200 ± .020 (5.08 ± .51)				.220 ± 0.020 (5.59 ± .51)				.250 ± .020 (6.35 ± .51)				.330 ± .030 (8.38 ± .76)				.350 ± .030 (8.89 ± .76)							
	W	.150 + 0.015 (3.81 ± .38)			.120 ± .015 (3.05 ± .38)			.250 ± .020 (6.35 ± .51)				.200 ± .020 (5.08 ± .51)				.250 ± .020 (6.35 ± .51)				.200 ± .020 (5.08 ± .51)				.330 ± .030 (8.38 ± .76)				.300 ± .030 (7.62 ± .76)							
	T <sub>MAX</sub>	.140 (3.55)			.100 (2.54)			.160 (4.07)				.180 (3.55)				.200 (5.08)				.180(3.55)				.220 (5.59)				.220 (5.59)							
	Band Width	0.010-0.030			0.010-0.040			0.010-0.040				0.010-0.040				0.010-0.040				0.030-0.060				0.030-0.060				0.030-0.060							
Cap Code	WVDC			WVDC			WVDC				WVDC				WVDC				WVDC				WVDC												
	500	1k	2k	500	1k	2k	500	1k	2k	3k	500	1k	2k	3k	500	1k	2k	3k	500	1k	2k	3k	500	1k	2k	3k	500	1k	2k	3k	500	1k	2k	3k	4k
270pF	271																																		
390	331																																		
390	391																																		
470	471																																		
560	561																																		
680	681																																		
820	821																																		
1000	102																																		
1200	122																																		
1500	152																																		
1800	182																																		
2200	222																																		
2700	272																																		
3300	332																																		
3900	392																																		
4700	472																																		
5600	562																																		
6800	682																																		
8200	822																																		
0.010uF	103																																		
0.012	123																																		
0.015	153																																		
0.018	183																																		
0.022	223																																		
0.027	273																																		
0.033	333																																		
0.039	393																																		
0.047	473																																		
0.056	563																																		
0.068	683																																		
0.082	823																																		
0.100	104																																		
0.120	124																																		
0.150	154																																		
0.180	184																																		
0.220	224																																		
0.270	274																																		
0.330	334																																		
0.390	394																																		
0.470	474																																		
0.560	564																																		
0.680	684																																		
0.820	824																																		

# High Voltage Ceramic Chip (+125°C) Military Equivalent

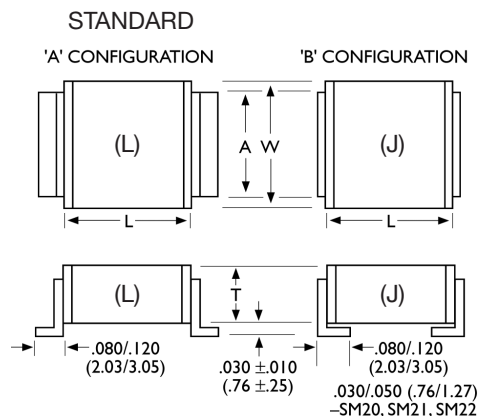
## X7R DIELECTRIC

STYLE		4040					4540					5440					5550					6560							
Cap	L	.400 ± .030 (10.20 ± .76)					.450 ± .030 (11.43 ± .76)					0.540 ± .030 (13.70 ± .76)					.550 ± .030 (14.00 ± .76)					.650 ± .030 (16.50 ± .76)							
	W	.400 ± .030 (10.20 ± .76)					.400 ± .030 (10.20 ± .76)					.400 ± .030 (10.20 ± .76)					.500 ± .030 (10.20 ± .76)					.600 ± .030 (15.20 ± .76)							
	T <sub>MAX</sub>	.220 (5.59)					.220 (5.59)					.220 (5.59)					.220 (5.59)					.220 (5.59)							
	Band Width	0.030 - 0.060					0.030 - 0.060					0.030 - 0.060					0.030 - 0.060					.030-.060							
	Cap Code	WVDC					WVDC					WVDC					WVDC					WVDC							
		500	1k	2k	3k	4k	500	1k	2k	3k	4k	5k	500	1k	2k	3k	4k	500	1k	2k	3k	4k	5k	500	1k	2k	3k	4k	5k
470pF	471																												
560	561																												
680	681																												
820	821																												
1000	102																												
1200	122																												
1500	152																												
1800	182																												
2200	222																												
2700	272																												
3300	332																												
3900	392																												
4700	472																												
5600	562																												
6800	682																												
8200	822																												
0.010uF	103																												
0.012	123																												
0.015	153																												
0.018	183																												
0.022	223																												
0.027	273																												
0.033	333																												
0.039	393																												
0.047	473																												
0.056	563																												
0.068	683																												
0.082	823																												
0.100	104																												
0.120	124																												
0.150	154																												
0.180	184																												
0.220	224																												
0.270	274																												
0.330	334																												
0.390	394																												
0.470	474																												
0.560	564																												
0.680	684																												
0.820	824																												
1.000	105																												
1.200	125																												
1.500	155																												
1.800	185																												
2.200	225																												
2.700	275																												

### FEATURES

1. Silver plated copper alloy terminal for easy soldering.
2. Mounting tabs are designed to minimize the effect of thermal stress introduced by the differences in coefficient of thermal expansion between the capacitor and the mounting surface.
3. Low ESR.
4. High current discharge capability.
5. Group A and B screening per MIL-PRF-49467 available .
6. Standard lead configuration is 'B'.(J) If lead configuration is left out of part number the lead style is assumed to be 'B'.

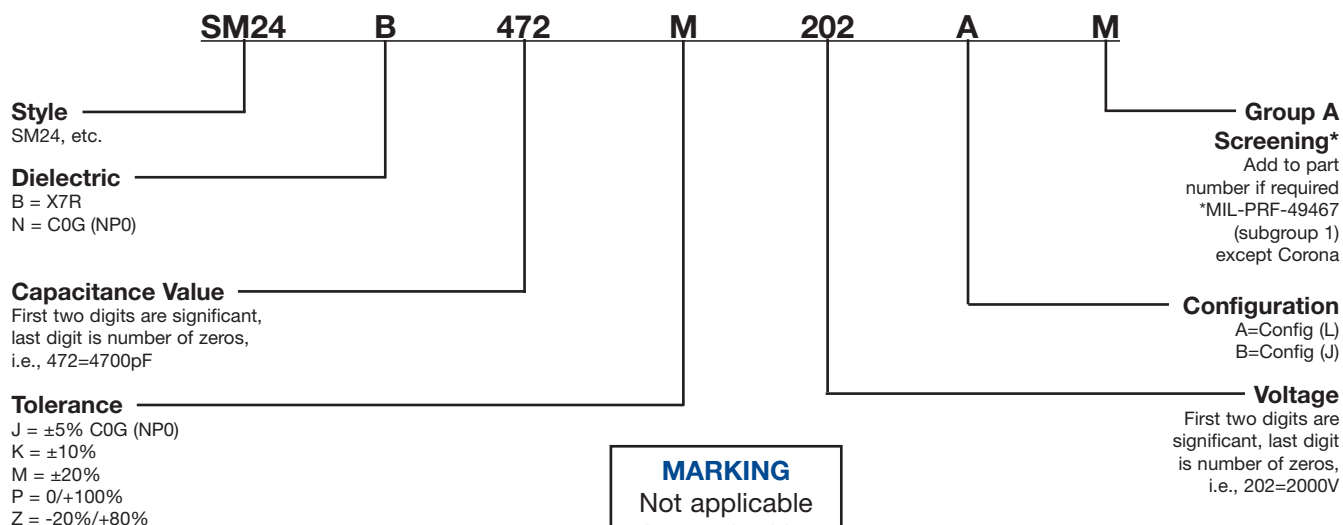
### CAPACITOR OUTLINE DRAWING



### DIMENSIONS

Style	Length (L) Inches (mm)	Width (W) Inches (mm)	Thickness (T) max Inches (mm)	Tab (A) max Inches (mm)
SM20	.150 ±.015 (3.81 ±.38)	.150 ±.015 (3.81 ±.38)	.130 (3.30)	.100 (2.54)
SM21	.200 ±.020 (5.08 ±.51)	.200 ±.020 (5.08 ±.51)	.180 (4.57)	.100 (2.54)
SM22	.250 ±.020 (6.35 ±.51)	.200 ±.020 (5.08 ±.51)	.180 (4.57)	.100 (2.54)
SM23	.350 ±.030 (8.89 ±.76)	.300 ±.030 (7.62 ±.76)	.220 (5.59)	.200 (5.08)
SM24	.450 ±.030 (11.43 ±.76)	.400 ±.030 (10.20 ±.76)	.220 (5.59)	.300 (7.62)
SM25	.550 ±.030 (14.00 ±.76)	.500 ±.030 (12.70 ±.76)	.220 (5.59)	.400 (10.2)
SM26	.650 ±.030 (16.50 ±.76)	.600 ±.030 (15.20 ±.76)	.220 (5.59)	.500 (12.7)
SM30	.300 ±.030 (7.62 ±.76)	.150 ±.015 (3.81 ±.38)	.140 (3.55)	.100 (2.54)
SM31	.400 ±.030 (10.20 ±.76)	.200 ±.020 (5.08 ±.51)	.130 (3.30)	.100 (2.54)
SM33	.700 ±.030 (17.08 ±.76)	.300 ±.030 (7.62 ±.76)	.180 (4.57)	.200 (5.08)
SM34	.900 ±.030 (22.90 ±.76)	.400 ±.030 (10.20 ±.76)	.220 (5.59)	.300 (7.62)
SM35	1.100 ±.030 (27.90 ±.76)	.500 ±.030 (12.70 ±.76)	.220 (5.59)	.400 (10.2)
SM36	1.350 ±.030 (33.00 ±.76)	.600 ±.030 (15.20 ±.76)	.220 (5.59)	.500 (12.7)

### PART NUMBER AND ORDERING INFORMATION







# High Voltage L and J Leaded Ceramic Capacitor SM Series

## X7R DIELECTRIC

STYLE		SM20			SM21				SM22				SM23					SM24					SM25					SM26											
Cap	L <sub>MAX</sub>	.150 ± .015 (3.31 ± .38)			.200 ± .020 (5.08 ± .51)				.250 ± .020 (6.35 ± .51)				.350 ± .030 (8.89 ± .76)					.450 ± .030 (11.43 ± .76)					.550 ± .030 (14.00 ± .76)					.650 ± .030 (16.50 ± .76)											
	W <sub>MAX</sub>	.150 ± .015 (3.31 ± .38)			.200 ± .020 (5.08 ± .51)				.200 ± .020 (5.08 ± .51)				.300 ± .030 (7.62 ± .76)					.400 ± .030 (10.20 ± .76)					.500 ± .030 (12.70 ± .76)					.600 ± .030 (15.20 ± .76)											
	T <sub>MAX</sub>	.130 (3.30)			.180 (4.57)				.180 (4.57)				.220 (5.59)					.220 (5.59)					.220 (5.59)					.220 (5.59)											
	Tab A max	.100 (2.54)			.100 (2.54)				.100 (2.54)				.200 (5.08)					.300 (7.62)					.400 (10.20)					.500 (12.70)											
	Cap Code	WVDC			WVDC				WVDC				WVDC					WVDC					WVDC					WVDC											
	500	1k	2k	500	1k	2k	3k	500	1k	2k	3k	500	1k	2k	3k	4k	500	1k	2k	3k	4k	5k	500	1k	2k	3k	4k	5k	500	1k	2k	3k	4k	5k					
270pF	271																																						
330	331																																						
390	391																																						
470	471																																						
560	561																																						
680	681																																						
820	821																																						
1000	102																																						
1200	122																																						
1500	152																																						
1800	182																																						
2200	222																																						
2700	272																																						
3300	332																																						
3900	392																																						
4700	472																																						
5600	562																																						
6800	682																																						
8200	822																																						
0.01uF	103																																						
0.012	123																																						
0.015	153																																						
0.018	183																																						
0.022	223																																						
0.027	273																																						
0.033	333																																						
0.039	393																																						
0.047	473																																						
0.056	563																																						
0.068	683																																						
0.082	823																																						
0.100	104																																						
0.120	124																																						
0.150	154																																						
0.180	184																																						
0.220	224																																						
0.270	274																																						
0.330	334																																						
0.390	394																																						
0.470	474																																						
0.560	564																																						
0.680	684																																						
0.820	824																																						
1.000	105																																						
1.200	125																																						
1.500	155																																						
1.800	185																																						
2.200	225																																						
2.700	275																																						





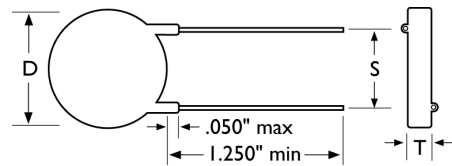
# High Voltage Disc Ceramic Capacitor D Series

## FEATURES

Disc ceramic capacitors made under strict quality control procedures are a reliable component. Special attention is given to the ceramic pressing operation to assure high and uniform ceramic density.

These parts are manufactured for the quality conscious customer. Parts are available screened to MIL-PRF-49467 established reliability specification.

## CAPACITOR OUTLINE DRAWING



## INSTALLATION

Higher-voltage parts may require further encapsulation to prevent surface breakdown. Parts should be cleaned and oven dried at 85°C before further encapsulation. Silicone rubbers or an epoxy may be used. De-airing of encapsulants is recommended. We recommend that a heat sink be attached to the lead between the soldering iron and the capacitor during installation soldering. Testing of higher-voltage parts before encapsulation may be done in a suitable dielectric fluid such as Freon.

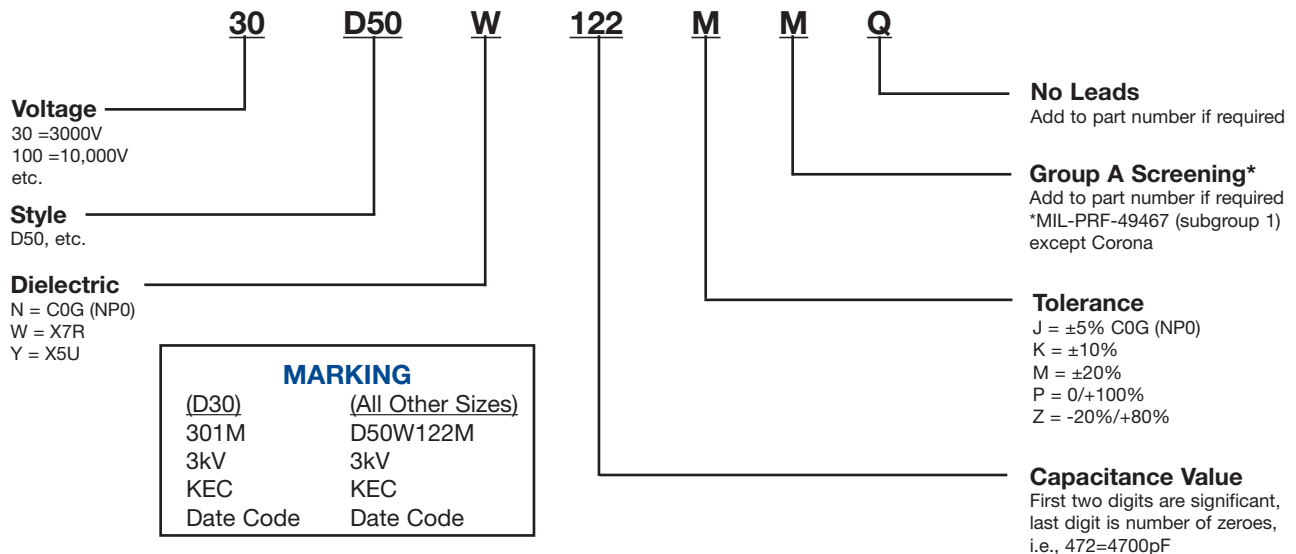
## DIELECTRIC COMPARISON

CERAMIC TYPE	C0G (NP0)	X7R	X5U
Dissipation Factor	0.1%	2.5%	2.5%
Temperature Coefficient	±30ppm/°C	±15%	+22% -56%
Voltage Coefficient	0	-20%	N/A
Dielectric Withstanding Voltage Test	3 to 15kV at 1.5x rated, 20 to 50kV at rated +10kV	3 to 15kV at 1.5x rated, 20 to 50kV at rated +10kV	3 to 15kV at 1.5x rated, 20 to 50kV at rated +10kV
Insulation Resistance (25°C)	100k megohms or 1k megohms-μF, whichever is less	100k megohms or 1k megohms-μF, whichever is less	10k megohms or 100 megohms-μF, whichever is less
Operating Temperature Range (rated voltage)	-55°C to +125°C	-55°C to +125°C	-55°C to +85°C

**Thickness:**  
**Inches (mm) max.**  
 3kV = 0.15 (3.81)  
 5kV = 0.20 (5.08)  
 7.5kV = 0.28 (7.11)  
 10kV = 0.35 (8.89)  
 15kV = 0.45 (11.43)  
 20kV = 0.55 (13.97)  
 30kV = 0.95 (24.13)  
 40kV = 1.20 (30.48)  
 50kV = 1.50 (38.10)

**Lead Type:** Solder plated, copper-clad steel (CCFE)-  
 D30, D40: 0.025" (22GA)  
 D50 & Larger: 0.032" (20GA)

## PART NUMBER AND ORDERING INFORMATION



### 3K VDC

Disc Style	D Max.	S ±.030	COG (NP0)		X7R		X5U	
			Min.	Max.	Min.	Max.	Min.	Max.
D30	.30	.250	7.8pF	9.6pF	250pF	300pF	520pF	700pF
D40	.40	.250	20pF	25pF	630pF	770pF	1300pF	1800pF
D50	.50	.375	36pF	44pF	1100pF	1400pF	2400pF	3200pF
D75	.75	.375	80pF	98pF	2500pF	3100pF	5300pF	7200pF
D90	.90	.500	123pF	150pF	3800pF	4700pF	8200pF	11000pF
D100	1.00	.500	145pF	178pF	4600pF	5600pF	9700pF	13000pF
D120	1.20	.500	193pF	236pF	6000pF	7400pF	12900pF	17300pF

### 5K VDC

D30	.30	.250	4.7pF	5.7pF	150pF	180pF	310pF	420pF
D40	.40	.250	12pF	15pF	380pF	460pF	810pF	1100pF
D50	.50	.375	21pF	26pF	670pF	820pF	1400pF	1900pF
D75	.75	.375	48pF	59pF	1500pF	1800pF	3200pF	4300pF
D90	.90	.500	74pF	90pF	2300pF	2800pF	4900pF	6600pF
D100	1.00	.500	87pF	107pF	2700pF	3300pF	5800pF	7800pF
D120	1.20	.500	116pF	141pF	3600pF	4400pF	7700pF	10400pF

### 7.5K VDC

D30	.30	.250	3.1pF	3.8pF	100pF	120pF	210pF	280pF
D40	.40	.250	8.1pF	9.9pF	250pF	310pF	540pF	720pF
D50	.50	.375	14pF	17pF	450pF	550pF	950pF	1300pF
D75	.75	.375	32pF	39pF	1000pF	1200pF	2100pF	2900pF
D90	.90	.500	49pF	60pF	1500pF	1900pF	3300pF	4400pF
D100	1.00	.500	58pF	71pF	1800pF	2200pF	3900pF	5200pF
D120	1.20	.500	77pF	94pF	2400pF	3000pF	5100pF	6900pF

### 10K VDC

D30	.30	.250	2.4pF	2.9pF	70pF	90pF	160pF	210pF
D40	.40	.250	6.1pF	7.4pF	190pF	230pF	400pF	540pF
D50	.50	.375	10.7pF	13.1pF	330pF	410pF	710pF	960pF
D75	.75	.375	24pF	29pF	750pF	920pF	1600pF	2200pF
D90	.90	.500	37pF	45pF	1200pF	1400pF	2500pF	3300pF
D100	1.00	.500	44pF	53pF	1400pF	1700pF	2900pF	3900pF
D120	1.20	.500	58pF	71pF	1800pF	2200pF	3900pF	5200pF

### 15K VDC

D30	.30	.250	1.6pF	1.9pF	50pF	60pF	100pF	140pF
D40	.40	.250	4.0pF	4.9pF	130pF	150pF	270pF	360pF
D50	.50	.375	7.1pF	8.7pF	220pF	270pF	480pF	640pF
D75	.75	.375	16pF	20pF	500pF	610pF	1100pF	1400pF
D90	.90	.500	25pF	30pF	770pF	940pF	1600pF	2200pF
D100	1.00	.500	29pF	36pF	910pF	1100pF	1900pF	2600pF
D120	1.20	.500	39pF	47pF	1200pF	1500pF	2600pF	3500pF

### 20K VDC

D30	.30	.250	1.2pF	1.4pF	37pF	45pF	80pF	110pF
D40	.40	.250	3.0pF	3.7pF	100pF	120pF	200pF	270pF
D50	.50	.375	5.3pF	6.5pF	170pF	200pF	360pF	480pF
D75	.75	.375	12pF	15pF	380pF	460pF	800pF	1100pF
D90	.90	.500	18pF	22pF	580pF	700pF	1200pF	1600pF
D100	1.00	.500	22pF	27pF	680pF	830pF	1500pF	2000pF
D120	1.20	.500	29pF	35pF	910pF	1100pF	1900pF	2600pF

### 30K, 40K & 50K VDC

Disc Style	D Max.	S ±.030	30kVDC		40kVDC		50kVDC	
			X7R		X7R		X7R	
			Min.	Max.	Min.	Max.	Min.	Max.
D30	.30	.250	20pF	30pF	18pF	22pF	10pF	20pF
D40	.40	.250	60pF	80pF	50pF	60pF	40pF	50pF
D50	.50	.375	110pF	140pF	80pF	100pF	70pF	80pF
D75	.75	.375	250pF	310pF	190pF	230pF	150pF	180pF
D90	.90	.500	380pF	470pF	290pF	350pF	230pF	280pF
D100	1.00	.500	460pF	560pF	340pF	420pF	270pF	330pF
D120	1.20	.500	600pF	740pF	450pF	550pF	360pF	440pF

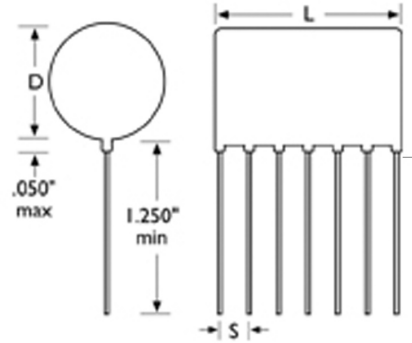
# High Voltage Disc Multiplier Stacks

## FEATURES

1. Special lead configurations available.
2. Custom designs are available upon request.

D dimension - See previous page for capacitance/voltage desired and resulting diameter.

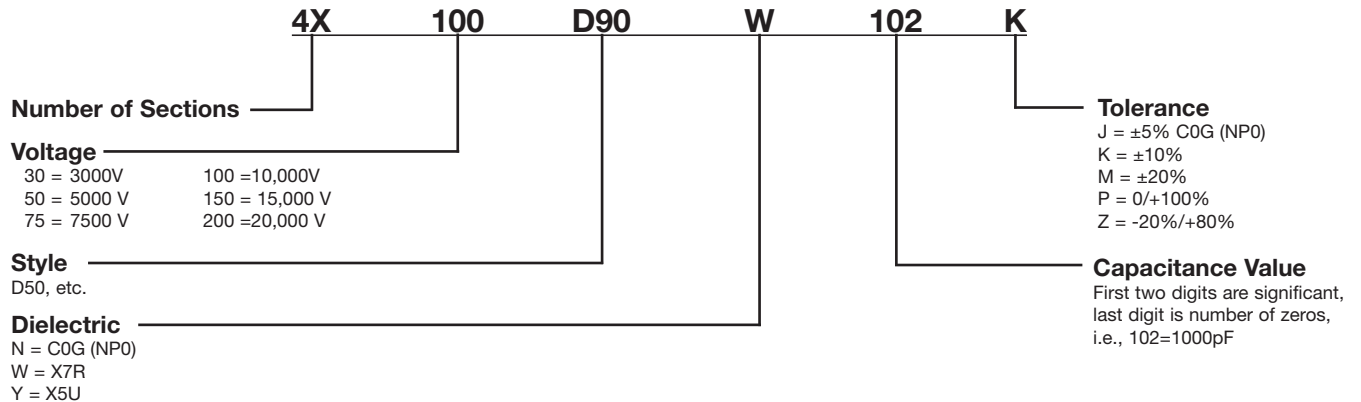
## CAPACITOR OUTLINE DRAWING



## L DIMENSION INCHES (MM) MAX.

Number of Selections	Voltage per Section				
	5k VDC	7.5k VDC	10k VDC	15k VDC	20k VDC
2	.40 (10.16)	.50 (12.70)	.60 (15.24)	.90 (22.86)	1.00 (25.40)
3	.55 (13.97)	.70 (17.78)	.85 (21.59)	1.15 (29.21)	1.55 (39.07)
4	.70 (17.78)	.85 (21.59)	1.10 (27.94)	1.45 (36.83)	1.90 (48.26)
5	.80 (20.32)	1.10 (27.94)	1.30 (33.02)	1.80 (45.72)	2.30 (58.42)
6	.95 (24.13)	1.30 (33.02)	1.55 (39.07)	2.15 (54.61)	2.75 (69.85)
S ±0.030 (±.76)	.13 (3.30)	.18 (4.57)	.23 (5.84)	.33 (8.35)	.43 (10.92)

## PART NUMBER AND ORDERING INFORMATION



## MARKING

(D30)	(All Other Sizes)
301M	4XD50W122M
3kV	3kV
KEC	KEC
Date Code	Date Code

**World Sales Headquarters**

KEMET Electronics Corporation  
P.O. Box 5928  
Greenville, SC 29606  
Phone: 864-963-6300

**Europe**

KEMET Electronics S.A.  
1-3, Avenue de la Paix  
P.O.B. 76  
CH-1211 Geneva 20,  
Switzerland  
Phone: 41-22-715-0100

**Asia**

KEMET Electronics Marketing PTE Ltd.  
101 Thomson road, #23-03  
United Square  
Singapore, 307591, Singapore  
Phone: 65-6353-6636

KEMET Electronics Asia Ltd.  
30 Canton Road, Room 1512  
SilverCord Tower II  
Tsimshatshui, Kowloon  
Hong Kong  
Phone: 852-2305-1168