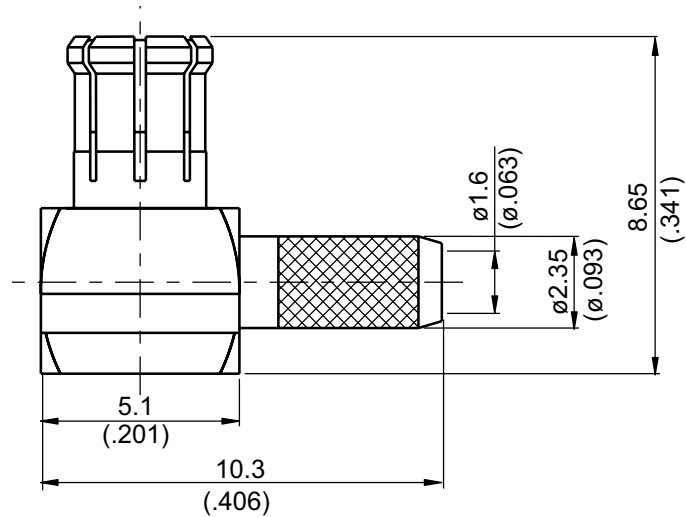


MCX3100D-9316

MCX Plug Crimp Right Angle 50Ω



Parts	Material	Plating (Micro-inch)
Ferrule	Brass	Gold 4 Over Nickel Phosphorous Alloy 80 Over Copper 20
Cover	Brass	Gold 4 Over Nickel Phosphorous Alloy 80 Over Copper 20
Contact Pin	Brass	Gold 4 Over Nickel Phosphorous Alloy 80 Over Copper 20
Insulator	Teflon	
Body	Phosphor Bronze	Gold 4 Over Nickel Phosphorous Alloy 80 Over Copper 20

Weight: 1.04 g

Suitable Cables: RD316, RG316D-E, RD316-FEP, JBY100

This part number complies with RoHS.

Notice: JYEBAO reserves the right to make modifications deemed appropriate.

## CABLE ASSEMBLY INSTRUCTION

MCX3100D-9316

JYE BAO CO., LTD.

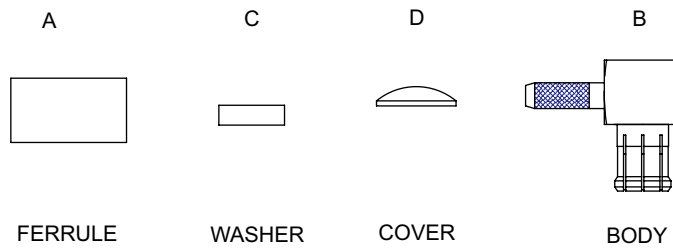


DIAGRAM	ASSEMBLY INSTRUCTION
	<p>Step 1: STRIP AS SHOWN.</p>
	<p>Step 2: SLIDE FERRULE "A" OVER CABLE.            Step 3: WRAP THE BRAIDING UPWARDS.            Step 4: SLIDE CENTER CONDUCTOR ON THE CONTACT PIN OF CONNECTOR "B" AND SOLDER IN "Y".</p>
	<p>Step 5: SLIDE FERRULE "A" TOWARDS THE CONNECTOR "B" AND CRIMP.</p>
	<p>Step 6: PRESS ON THE TOP OF "C" "D" WITH JIGS.</p>

This part number complies with RoHS.

Notice: JYEBAO reserves the right to make modifications deemed appropriate.