



The latest comprehensive data to fully support these parts is readily available.

## BOARD TO BOARD CONNECTORS 0.8mm PITCH

### IL-WX SERIES DOUBLE ROW

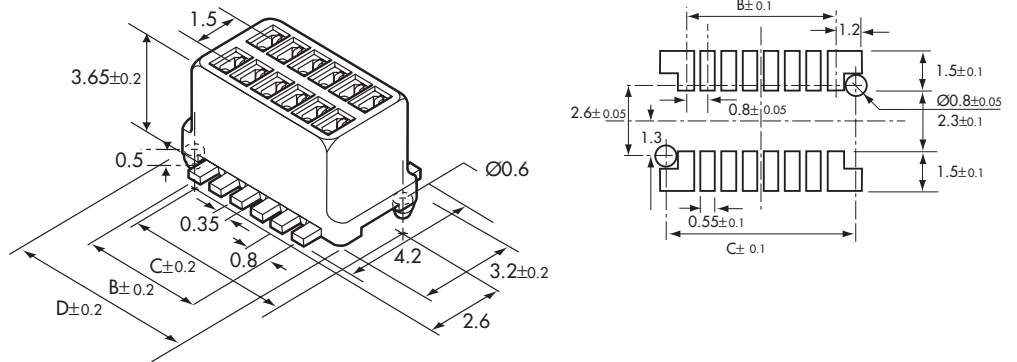
- AVAILABLE FROM 10 TO 28 CIRCUITS, WITH A BOARD TO BOARD HEIGHT OF 4.5mm
- SPECIAL TALL HEADER GIVING BOARD TO BOARD HEIGHT OF 8.4mm
- RIGHT ANGLE HEADER HAS METALLIC HOLD DOWN PEGS
- POLARISED CONNECTORS WITH 125 VAC @ 0.5A CONTACT RATING
- CONNECTORS ARE ON TAPE AND REEL AND HAVE LOCATING BOSSES

### VERTICAL SOCKET

Part No.	No. Circuits	Dim. B	SQP £ ea.
IL-WX-10SB-VF-B-E1000	10	3.2	0.44
IL-WX-14SB-VF-B-E1000	14	4.8	0.54
IL-WX-18SB-VF-B-E1000	18	6.4	0.60
IL-WX-20SB-VF-B-E1000	20	7.2	0.67
IL-WX-24SB-VF-B-E1000	24	8.8	0.74
IL-WX-28SB-VF-B-E1000	28	10.4	0.80

A = B + 2.60 C = B + 1.80 D = B + 2.40 All dimensions in mm.

### DIMENSIONS AND TYPICAL FOOTPRINT

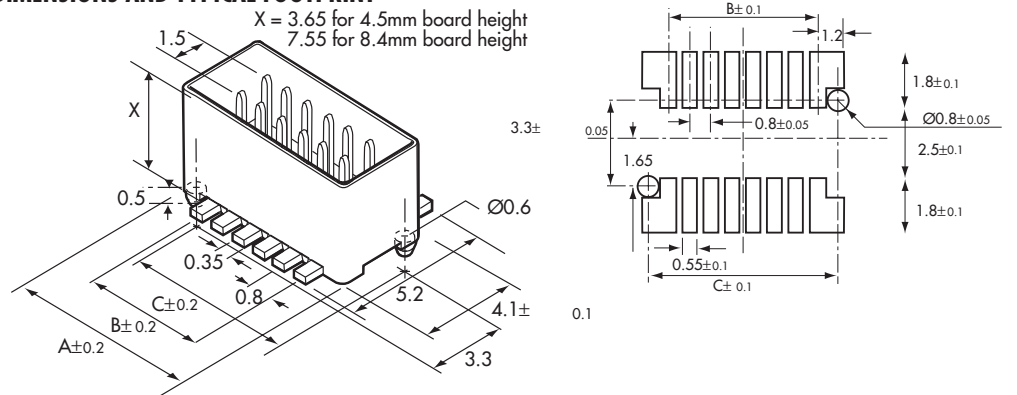


### VERTICAL HEADER

Part No.	No. Circuits	Dim. B	SQP £ ea.
4.5mm Board to board height			
IL-WX-10PB-VF-B-E1000	10	3.2	0.44
IL-WX-14PB-VF-B-E1000	14	4.8	0.54
IL-WX-18PB-VF-B-E1000	18	6.4	0.60
IL-WX-20PB-VF-B-E1000	20	7.2	0.67
IL-WX-24PB-VF-B-E1000	24	8.8	0.74
IL-WX-28PB-VF-B-E1000	28	10.4	0.80
8.4mm Board to board height			
IL-WX-18PB-VF84-B-E900	18	6.4	0.72
IL-WX-24PB-VF84-B-E900	24	8.8	0.94

A = B + 2.60 C = B + 1.80 D = B + 2.40 All dimensions in mm

### DIMENSIONS AND TYPICAL FOOTPRINT



### TAPE & REEL SPECIFICATIONS

VERTICAL			
No. Cts.	Reel Size	Tape Width	Quantity
6-20	330mm	16mm	1,000
22-28	330mm	24mm	1,000

Note: VF84 parts have 900 per reel.

### SQP – SMALL QUANTITY PRICES

A typical unit price for a quantity of 100 pieces. It will vary (up or down) depending on the time, order value etc. Call us for your update.

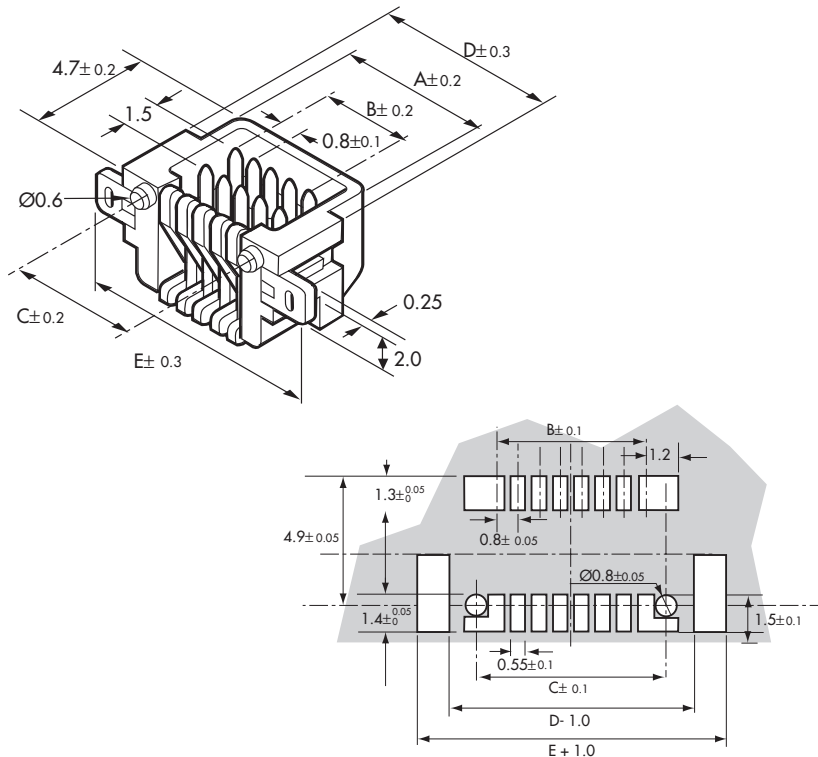
## BOARD TO BOARD CONNECTORS 0.8mm PITCH

### RIGHT ANGLE HEADER

Part No.	No. Circuits	Dim. B	SQP £ ea.
IL-WX-10PB-HF-HD-S-B-E1000	10	3.2	0.47
IL-WX-14PB-HF-HD-S-B-E1000	14	4.8	0.54
IL-WX-18PB-HF-HD-S-B-E1000	18	6.4	0.63
IL-WX-20PB-HF-HD-S-B-E1000	20	7.2	0.67
IL-WX-24PB-HF-HD-S-B-E1000	24	8.8	0.77
IL-WX-28PB-HF-HD-S-B-E1000	28	10.4	0.84

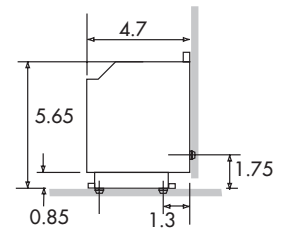
A = B + 2.60 C = B + 1.80 D = B + 2.40 All dimensions in mm

### DIMENSIONS AND TYPICAL FOOTPRINT



The latest comprehensive data to fully support these parts is readily available.

### CONNECTOR MATING DETAILS



### TAPE & REEL SPECIFICATIONS

#### RIGHT ANGLE

No. Cts.	Reel Size	Tape Width	Quantity
6-12	330mm	16mm	1,000
14-28	330mm	24mm	1,000

### SQP – SMALL QUANTITY PRICES

A typical unit price for a quantity of 100 pieces. It will vary (up or down) depending on the time, order value etc. Call us for your update.