

Box Mounting Receptacle

VG95234 Style B1 (with threaded holes in flange)

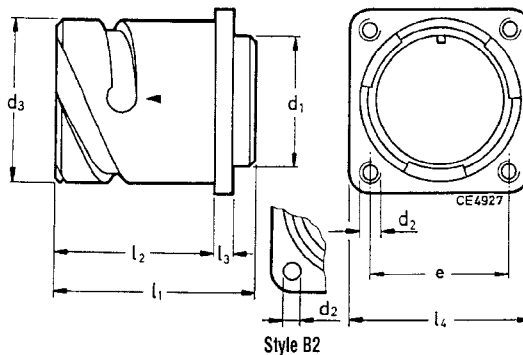
CA3102-B and Modifications, e.g -04, -109 or -111

CA3102-B designates a receptacle with square flange for rear panel mounting.

VG95234 Style B2 (with through holes in flange)

CA3102E-B and Modifications

Modifications see page 10



Dimensions in mm

| VG95234 Part No. | Cannon Part No. | d ₁ max | d ₂ | | d ₃ -0.15 | e ±0.1 | l ₁ ±0.3 | l ₂ +0.4 | l ₃ ±0.2 | l ₄ ±0.3 | Weight ⁽¹⁾ g max |
|------------------|--------------------|--------------------|----------------|--------|----------------------|--------|---------------------|---------------------|---------------------|---------------------|-----------------------------|
| | | | B1 | B2 H13 | | | | | | | |
| VG95234XX-10SL-* | CA3102E10SL-*B-*** | 16,20 | M4 | 3,20 | 11,20 | 18,20 | 24,70 | 18,20 | 2,80 | 25,40 | 14 |
| - | CA3102E12S-*B-*** | 16,20 | M4 | 3,20 | 21,40 | 20,60 | 24,70 | 18,20 | 3,20 | 28,00 | 18 |
| VG95234XX-14S-* | CA3102E14S-*B-*** | 19,20 | M4 | 3,20 | 24,60 | 23,00 | 24,70 | 18,20 | 3,20 | 30,00 | 21 |
| VG95234XX-16S-* | CA3102E16S-*B-*** | 22,40 | M4 | 3,20 | 27,40 | 24,60 | 24,70 | 18,20 | 3,20 | 32,50 | 22 |
| VG95234XX-16-* | CA3102E16-*B-*** | 22,40 | M4 | 3,20 | 27,40 | 24,60 | 33,80 | 21,50 | 3,20 | 32,50 | 27 |
| VG95234XX-18-* | CA3102E18-*B-*** | 25,60 | M4 | 3,20 | 30,80 | 27,00 | 33,80 | 23,05 | 4,00 | 35,00 | 33 |
| VG95234XX-20-* | CA3102E20-*B-*** | 29,00 | M4 | 3,20 | 34,20 | 29,40 | 33,80 | 23,05 | 4,00 | 38,00 | 37 |
| VG95234XX-22-* | CA3102E22-*B-*** | 32,20 | M4 | 3,20 | 37,40 | 31,80 | 33,80 | 23,05 | 4,00 | 41,00 | 42 |
| VG95234XX-24-* | CA3102E24-*B-*** | 35,30 | M4 | 3,70 | 40,90 | 34,90 | 33,80 | 23,05 | 4,00 | 44,50 | 48 |
| VG95234XX-28-* | CA3102E28-*B-*** | 41,40 | M5 | 3,70 | 46,70 | 39,70 | 33,80 | 24,05 | 4,00 | 50,80 | 58 |
| VG95234XX-32-* | CA3102E32-*B-*** | 47,80 | M5 | 4,30 | 53,40 | 44,50 | 33,80 | 24,05 | 4,00 | 57,00 | 72 |
| VG95234XX-36-* | CA3102E36-*B-*** | 54,10 | M5 | 4,30 | 59,60 | 49,20 | 33,80 | 24,05 | 4,00 | 63,50 | 84 |

Dimensions in inches

| VG95234 Part No. | Cannon Part No. | d ₁ max | d ₂ | | d ₃ -0.006 | e ±.004 | l ₁ ±.012 | l ₂ +.016 | l ₃ ±.008 | l ₄ ±.012 | Weight ⁽¹⁾ g max |
|------------------|--------------------|--------------------|----------------|--------|-----------------------|---------|----------------------|----------------------|----------------------|----------------------|-----------------------------|
| | | | B1 | B2 H13 | | | | | | | |
| VG95234XX-10SL-* | CA3102E10SL-*B-*** | .638 | M4 | .126 | .717 | .717 | .972 | .717 | .110 | 1.000 | 14 |
| - | CA3102E12S-*B-*** | .638 | M4 | .126 | .843 | .811 | .972 | .717 | .126 | 1.102 | 18 |
| VG95234XX-14S-* | CA3102E14S-*B-*** | .756 | M4 | .126 | .969 | .906 | .972 | .717 | .126 | 1.181 | 21 |
| VG95234XX-16S-* | CA3102E16S-*B-*** | .882 | M4 | .126 | 1.080 | .967 | .972 | .717 | .126 | 1.280 | 22 |
| VG95234XX-16-* | CA3102E16-*B-*** | .882 | M4 | .126 | 1.080 | .967 | 1.331 | .846 | .126 | 1.280 | 27 |
| VG95234XX-18-* | CA3102E18-*B-*** | 1.008 | M4 | .126 | 1.213 | 1.063 | 1.331 | .907 | .157 | 1.378 | 33 |
| VG95234XX-20-* | CA3102E20-*B-*** | 1.142 | M4 | .126 | 1.346 | 1.157 | 1.331 | .907 | .157 | 1.496 | 37 |
| VG95234XX-22-* | CA3102E22-*B-*** | 1.268 | M4 | .126 | 1.472 | 1.252 | 1.331 | .907 | .157 | 1.614 | 42 |
| VG95234XX-24-* | CA3102E24-*B-*** | 1.390 | M4 | .146 | 1.610 | 1.374 | 1.331 | .907 | .157 | 1.752 | 48 |
| VG95234XX-28-* | CA3102E28-*B-*** | 1.630 | M5 | .146 | 1.840 | 1.563 | 1.331 | .947 | .157 | 2.000 | 58 |
| VG95234XX-32-* | CA3102E32-*B-*** | 1.882 | M5 | .170 | 2.102 | 1.752 | 1.331 | .947 | .157 | 2.244 | 72 |
| VG95234XX-36-* | CA3102E36-*B-*** | 2.130 | M5 | .170 | 2.346 | 1.937 | 1.331 | .947 | .157 | 2.500 | 84 |

⁽¹⁾ Weight without insulator

CA20L-B designates a receptacle for rear panel mounting with solder pin contacts to solder into printed circuits. All pattern drawings upon request. For all other dimensions see above table.

For contact arrangements with #16 and #12 contacts only.

