



# 8259A PROGRAMMABLE INTERRUPT CONTROLLER (8259A/8259A-2)

- 8086, 8088 Compatible
- MCS-80, MCS-85 Compatible
- Eight-Level Priority Controller
- Expandable to 64 Levels
- Programmable Interrupt Modes
- Individual Request Mask Capability
- Single +5V Supply (No Clocks)
- Available in 28-Pin DIP and 28-Lead PLCC Package  
(See Packaging Spec., Order #231369)
- Available in EXPRESS
  - Standard Temperature Range
  - Extended Temperature Range

The Intel 8259A Programmable Interrupt Controller handles up to eight vectored priority interrupts for the CPU. It is cascadable for up to 64 vectored priority interrupts without additional circuitry. It is packaged in a 28-pin DIP, uses NMOS technology and requires a single +5V supply. Circuitry is static, requiring no clock input.

The 8259A is designed to minimize the software and real time overhead in handling multi-level priority interrupts. It has several modes, permitting optimization for a variety of system requirements.

The 8259A is fully upward compatible with the Intel 8259. Software originally written for the 8259 will operate the 8259A in all 8259 equivalent modes (MCS-80/85, Non-Buffered, Edge Triggered).

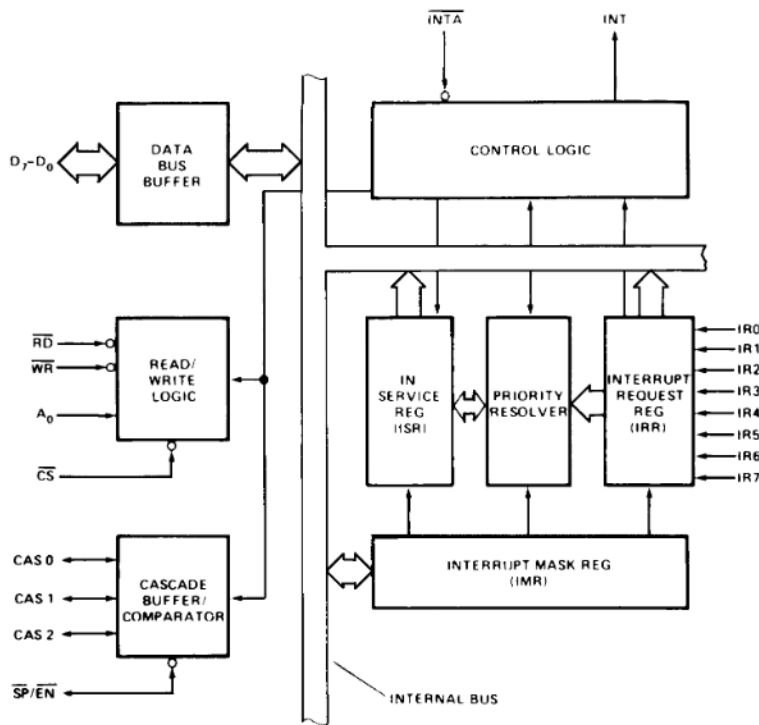


Figure 1. Block Diagram

231468-1

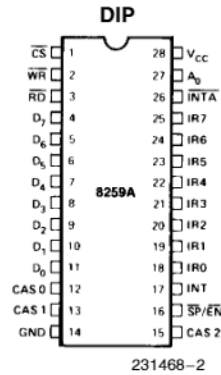


Figure 2. Pin Configurations

231468-31

Table 1. Pin Description

| Symbol                                      | Pin No.    | Type | Name and Function  |
|---|------------|------|--|
| V <sub>CC</sub>                             | 28         | I    | <b>SUPPLY:</b> +5V Supply.   |
| GND   | 14         | I    | <b>GROUND</b>  |
| $\overline{\text{CS}}$                      | 1          | I    | <b>CHIP SELECT:</b> A low on this pin enables $\overline{\text{RD}}$ and $\overline{\text{WR}}$ communication between the CPU and the 8259A. INTA functions are independent of CS.   |
| $\overline{\text{WR}}$                      | 2          | I    | <b>WRITE:</b> A low on this pin when CS is low enables the 8259A to accept command words from the CPU.   |
| $\overline{\text{RD}}$                      | 3          | I    | <b>READ:</b> A low on this pin when CS is low enables the 8259A to release status onto the data bus for the CPU.   |
| D <sub>7</sub> -D <sub>0</sub>              | 4-11       | I/O  | <b>BIDIRECTIONAL DATA BUS:</b> Control, status and interrupt-vector information is transferred via this bus.   |
| CAS <sub>0</sub> -CAS <sub>2</sub>          | 12, 13, 15 | I/O  | <b>CASCADE LINES:</b> The CAS lines form a private 8259A bus to control a multiple 8259A structure. These pins are outputs for a master 8259A and inputs for a slave 8259A.  |
| $\overline{\text{SP}}/\overline{\text{EN}}$ | 16         | I/O  | <b>SLAVE PROGRAM/ENABLE BUFFER:</b> This is a dual function pin. When in the Buffered Mode it can be used as an output to control buffer transceivers (EN). When not in the buffered mode it is used as an input to designate a master (SP = 1) or slave (SP = 0).   |
| INT   | 17         | O    | <b>INTERRUPT:</b> This pin goes high whenever a valid interrupt request is asserted. It is used to interrupt the CPU, thus it is connected to the CPU's interrupt pin.   |
| IR <sub>0</sub> -IR <sub>7</sub>            | 18-25      | I    | <b>INTERRUPT REQUESTS:</b> Asynchronous inputs. An interrupt request is executed by raising an IR input (low to high), and holding it high until it is acknowledged (Edge Triggered Mode), or just by a high level on an IR input (Level Triggered Mode).  |
| $\overline{\text{INTA}}$                    | 26         | I    | <b>INTERRUPT ACKNOWLEDGE:</b> This pin is used to enable 8259A interrupt-vector data onto the data bus by a sequence of interrupt acknowledge pulses issued by the CPU.  |
| A <sub>0</sub>                              | 27         | I    | <b>AO ADDRESS LINE:</b> This pin acts in conjunction with the $\overline{\text{CS}}$ , $\overline{\text{WR}}$ , and $\overline{\text{RD}}$ pins. It is used by the 8259A to decipher various Command Words the CPU writes and status the CPU wishes to read. It is typically connected to the CPU A <sub>0</sub> address line (A <sub>1</sub> for 8086, 8088). |

## FUNCTIONAL DESCRIPTION

### Interrupts in Microcomputer Systems

Microcomputer system design requires that I.O devices such as keyboards, displays, sensors and other components receive servicing in an efficient manner so that large amounts of the total system tasks can be assumed by the microcomputer with little or no effect on throughput.

The most common method of servicing such devices is the *Polled* approach. This is where the processor must test each device in sequence and in effect "ask" each one if it needs servicing. It is easy to see that a large portion of the main program is looping through this continuous polling cycle and that such a method would have a serious detrimental effect on system throughput, thus limiting the tasks that could be assumed by the microcomputer and reducing the cost effectiveness of using such devices.

A more desirable method would be one that would allow the microprocessor to be executing its main program and only stop to service peripheral devices when it is told to do so by the device itself. In effect, the method would provide an external asynchronous input that would inform the processor that it should complete whatever instruction that is currently being executed and fetch a new routine that will service the requesting device. Once this servicing is complete, however, the processor would resume exactly where it left off.

This method is called *Interrupt*. It is easy to see that system throughput would drastically increase, and thus more tasks could be assumed by the microcomputer to further enhance its cost effectiveness.

The Programmable Interrupt Controller (PIC) functions as an overall manager in an Interrupt-Driven system environment. It accepts requests from the peripheral equipment, determines which of the incoming requests is of the highest importance (priority), ascertains whether the incoming request has a higher priority value than the level currently being serviced, and issues an interrupt to the CPU based on this determination.

Each peripheral device or structure usually has a special program or "routine" that is associated with its specific functional or operational requirements; this is referred to as a "service routine". The PIC, after issuing an Interrupt to the CPU, must somehow input information into the CPU that can "point" the Program Counter to the service routine associated with the requesting device. This "pointer" is an address in a vectoring table and will often be referred to, in this document, as vectoring data.

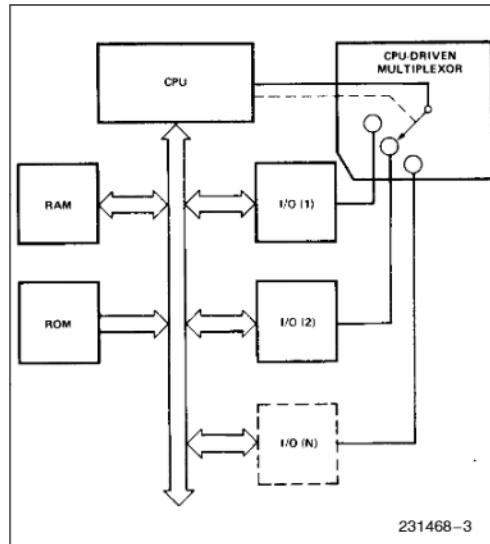


Figure 3a. Polled Method

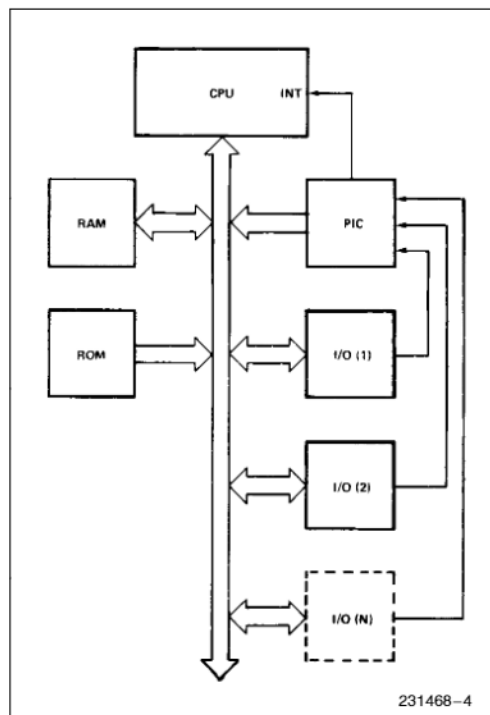


Figure 3b. Interrupt Method

The 8259A is a device specifically designed for use in real time, interrupt driven microcomputer systems. It manages eight levels or requests and has built-in features for expandability to other 8259A's (up to 64 levels). It is programmed by the system's software as an I/O peripheral. A selection of priority modes is available to the programmer so that the manner in which the requests are processed by the 8259A can be configured to match his system requirements. The priority modes can be changed or reconfigured dynamically at any time during the main program. This means that the complete interrupt structure can be defined as required, based on the total system environment.

#### **INTERRUPT REQUEST REGISTER (IRR) AND IN-SERVICE REGISTER (ISR)**

The interrupts at the IR input lines are handled by two registers in cascade, the Interrupt Request Register (IRR) and the In-Service (ISR). The IRR is used to store all the interrupt levels which are requesting service; and the ISR is used to store all the interrupt levels which are being serviced.

#### **PRIORITY RESOLVER**

This logic block determines the priorities of the bits set in the IRR. The highest priority is selected and strobed into the corresponding bit of the ISR during  $\overline{\text{INTA}}$  pulse.

#### **INTERRUPT MASK REGISTER (IMR)**

The IMR stores the bits which mask the interrupt lines to be masked. The IMR operates on the IRR. Masking of a higher priority input will not affect the interrupt request lines of lower quality.

#### **INT (INTERRUPT)**

This output goes directly to the CPU interrupt input. The  $V_{OH}$  level on this line is designed to be fully compatible with the 8080A, 8085A and 8086 input levels.

#### **$\overline{\text{INTA}}$ (INTERRUPT ACKNOWLEDGE)**

$\overline{\text{INTA}}$  pulses will cause the 8259A to release vectoring information onto the data bus. The format of this data depends on the system mode ( $\mu\text{PM}$ ) of the 8259A.

#### **DATA BUS BUFFER**

This 3-state, bidirectional 8-bit buffer is used to interface the 8259A to the system Data Bus. Control words and status information are transferred through the Data Bus Buffer.

#### **READ/WRITE CONTROL LOGIC**

The function of this block is to accept OUTput commands from the CPU. It contains the Initialization Command Word (ICW) registers and Operation Command Word (OCW) registers which store the various control formats for device operation. This function block also allows the status of the 8259A to be transferred onto the Data Bus.

#### **$\overline{\text{CS}}$ (CHIP SELECT)**

A LOW on this input enables the 8259A. No reading or writing of the chip will occur unless the device is selected.

#### **$\overline{\text{WR}}$ (WRITE)**

A LOW on this input enables the CPU to write control words (ICWs and OCWs) to the 8259A.

#### **$\overline{\text{RD}}$ (READ)**

A LOW on this input enables the 8259A to send the status of the Interrupt Request Register (IRR), In Service Register (ISR), the Interrupt Mask Register (IMR), or the Interrupt level onto the Data Bus.

#### **$A_0$**

This input signal is used in conjunction with  $\overline{\text{WR}}$  and  $\overline{\text{RD}}$  signals to write commands into the various command registers, as well as reading the various status registers of the chip. This line can be tied directly to one of the address lines.



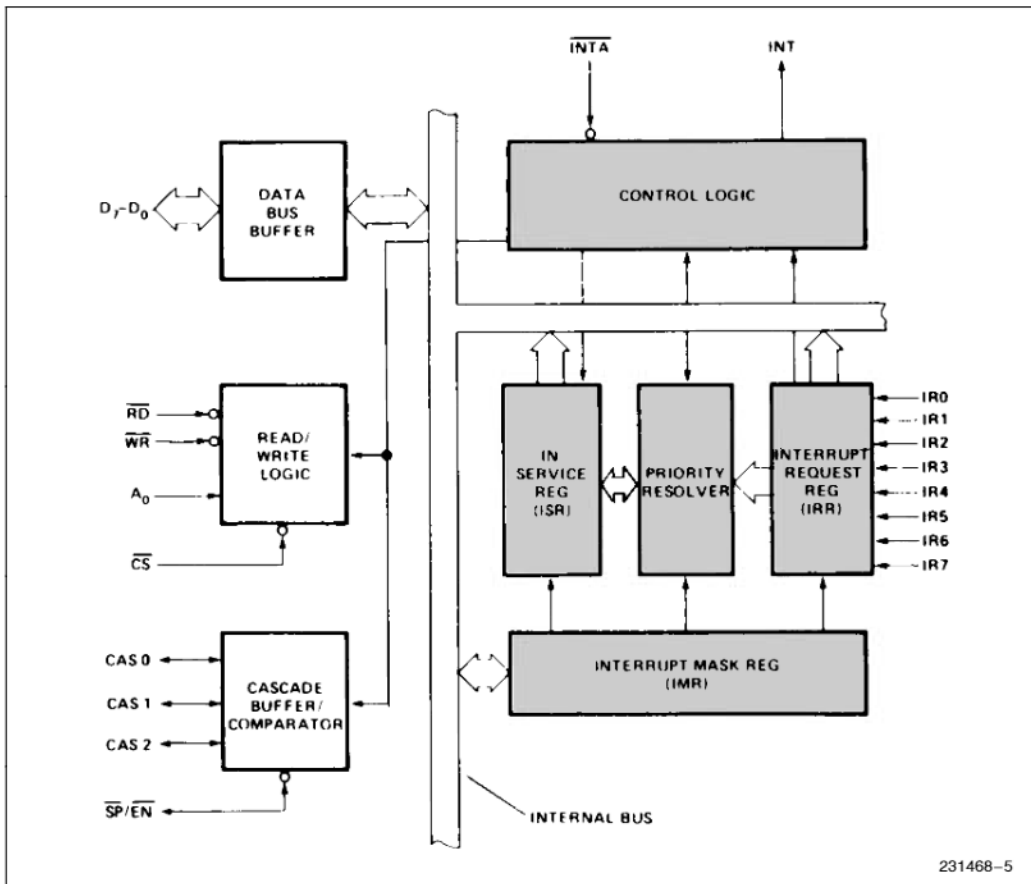


Figure 4a. 8259A Block Diagram



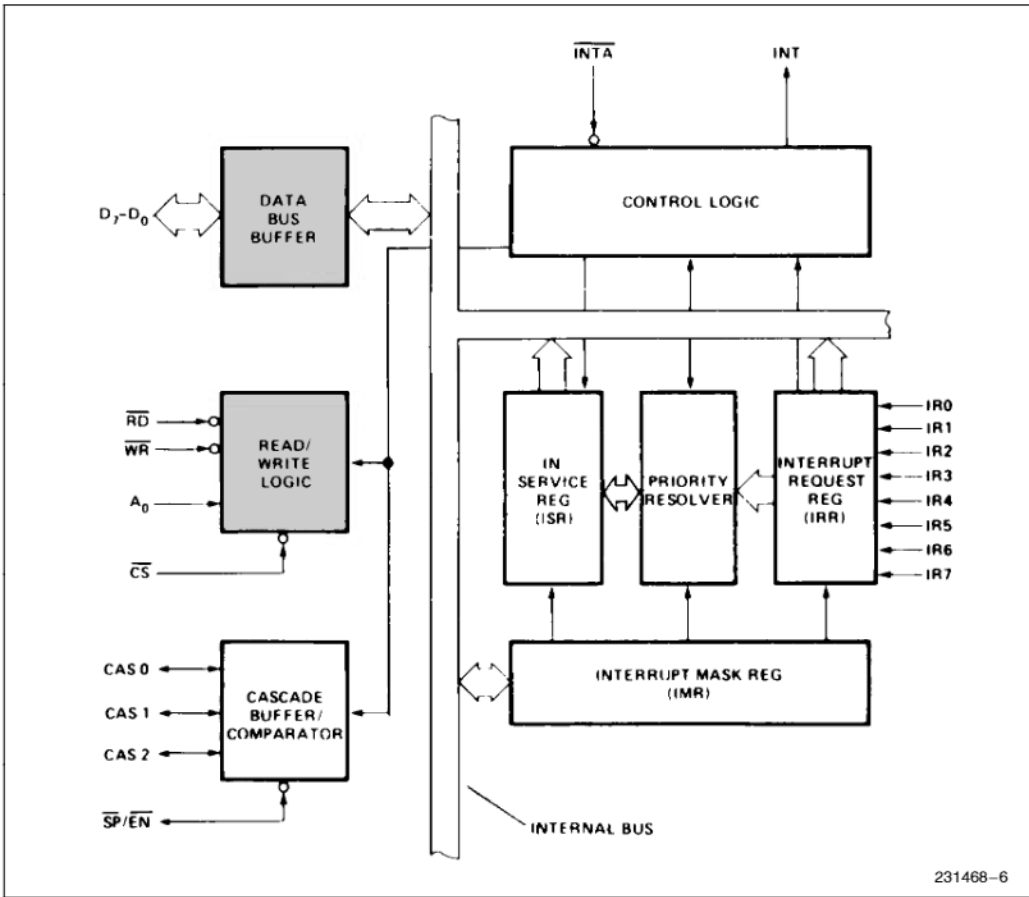


Figure 4b. 8259A Block Diagram



### THE CASCADE BUFFER/COMPARATOR

This function block stores and compares the IDs of all 8259A's used in the system. The associated three I/O pins (CAS0-2) are outputs when the 8259A is used as a master and are inputs when the 8259A is used as a slave. As a master, the 8259A sends the ID of the interrupting slave device onto the CAS0-2 lines. The slave thus selected will send its preprogrammed subroutine address onto the Data Bus during the next one or two consecutive  $\overline{\text{INTA}}$  pulses. (See section "Cascading the 8259A".)

### INTERRUPT SEQUENCE

The powerful features of the 8259A in a microcomputer system are its programmability and the interrupt routine addressing capability. The latter allows direct or indirect jumping to the specific interrupt routine requested without any polling of the interrupting devices. The normal sequence of events during an interrupt depends on the type of CPU being used.

The events occur as follows in an MCS-80/85 system:

1. One or more of the INTERRUPT REQUEST lines (IR7-0) are raised high, setting the corresponding IRR bit(s).
2. The 8259A evaluates these requests, and sends an INT to the CPU, if appropriate.
3. The CPU acknowledges the INT and responds with an  $\overline{\text{INTA}}$  pulse.
4. Upon receiving an  $\overline{\text{INTA}}$  from the CPU group, the highest priority ISR bit is set, and the corresponding IRR bit is reset. The 8259A will also release a CALL instruction code (11001101) onto the 8-bit Data Bus through its D7-0 pins.
5. This CALL instruction will initiate two more  $\overline{\text{INTA}}$  pulses to be sent to the 8259A from the CPU group.
6. These two  $\overline{\text{INTA}}$  pulses allow the 8259A to release its preprogrammed subroutine address onto the Data Bus. The lower 8-bit address is re-

leased at the first  $\overline{\text{INTA}}$  pulse and the higher 8-bit address is released at the second  $\overline{\text{INTA}}$  pulse.

7. This completes the 3-byte CALL instruction released by the 8259A. In the AEOI mode the ISR bit is reset at the end of the third  $\overline{\text{INTA}}$  pulse. Otherwise, the ISR bit remains set until an appropriate EOI command is issued at the end of the interrupt sequence.

The events occurring in an 8086 system are the same until step 4.

4. Upon receiving an  $\overline{\text{INTA}}$  from the CPU group, the highest priority ISR bit is set and the corresponding IRR bit is reset. The 8259A does not drive the Data Bus during this cycle.
5. The 8086 will initiate a second  $\overline{\text{INTA}}$  pulse. During this pulse, the 8259A releases an 8-bit pointer onto the Data Bus where it is read by the CPU.
6. This completes the interrupt cycle. In the AEOI mode the ISR bit is reset at the end of the second  $\overline{\text{INTA}}$  pulse. Otherwise, the ISR bit remains set until an appropriate EOI command is issued at the end of the interrupt subroutine.

If no interrupt request is present at step 4 of either sequence (i.e., the request was too short in duration) the 8259A will issue an interrupt level 7. Both the vectoring bytes and the CAS lines will look like an interrupt level 7 was requested.

When the 8259A PIC receives an interrupt, INT becomes active and an interrupt acknowledge cycle is started. If a higher priority interrupt occurs between the two INTA pulses, the INT line goes inactive immediately after the second INTA pulse. After an unspecified amount of time the INT line is activated again to signify the higher priority interrupt waiting for service. This inactive time is not specified and can vary between parts. The designer should be aware of this consideration when designing a system which uses the 8259A. It is recommended that proper asynchronous design techniques be followed.

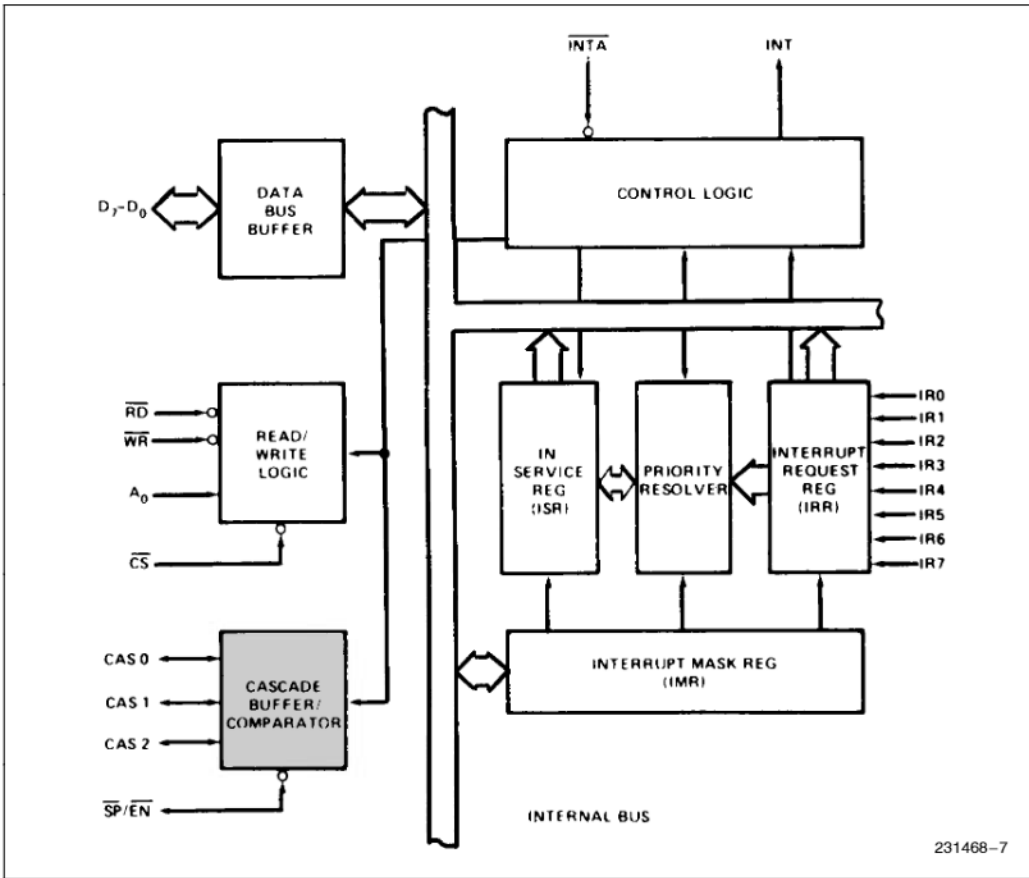


Figure 4c. 8259A Block Diagram

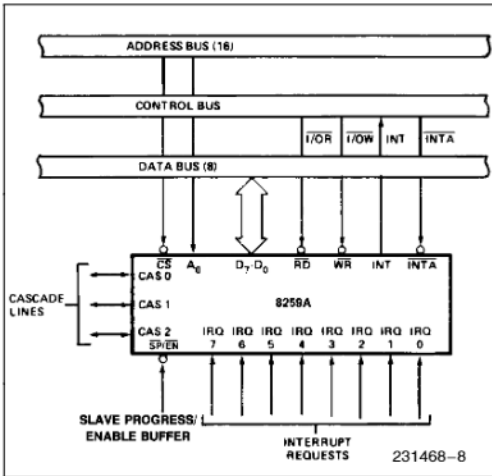


Figure 5. 8259A Interface to Standard System Bus

### INTERRUPT SEQUENCE OUTPUTS

#### MCS-80, MCS-85

This sequence is timed by three  $\overline{INTA}$  pulses. During the first  $\overline{INTA}$  pulse the CALL opcode is enabled onto the data bus.

#### Content of First Interrupt Vector Byte

|           | D7 | D6 | D5 | D4 | D3 | D2 | D1 | D0 |
|-----------|----|----|----|----|----|----|----|----|
| CALL CODE | 1  | 1  | 0  | 0  | 1  | 1  | 0  | 1  |

During the second  $\overline{INTA}$  pulse the lower address of the appropriate service routine is enabled onto the data bus. When Interval = 4 bits  $A_5-A_7$  are programmed, while  $A_0-A_4$  are automatically inserted by the 8259A. When Interval = 8 only  $A_6$  and  $A_7$  are programmed, while  $A_0-A_5$  are automatically inserted.



**Content of Second Interrupt Vector Byte**

| IR | Interval = 4 |    |    |    |    |    |    |    |
|----|--------------|----|----|----|----|----|----|----|
|    | D7           | D6 | D5 | D4 | D3 | D2 | D1 | D0 |
| 7  | A7           | A6 | A5 | 1  | 1  | 1  | 0  | 0  |
| 6  | A7           | A6 | A5 | 1  | 1  | 0  | 0  | 0  |
| 5  | A7           | A6 | A5 | 1  | 0  | 1  | 0  | 0  |
| 4  | A7           | A6 | A5 | 1  | 0  | 0  | 0  | 0  |
| 3  | A7           | A6 | A5 | 0  | 1  | 1  | 0  | 0  |
| 2  | A7           | A6 | A5 | 0  | 1  | 0  | 0  | 0  |
| 1  | A7           | A6 | A5 | 0  | 0  | 1  | 0  | 0  |
| 0  | A7           | A6 | A5 | 0  | 0  | 0  | 0  | 0  |

| IR | Interval = 8 |    |    |    |    |    |    |    |
|----|--------------|----|----|----|----|----|----|----|
|    | D7           | D6 | D5 | D4 | D3 | D2 | D1 | D0 |
| 7  | A7           | A6 | 1  | 1  | 1  | 0  | 0  | 0  |
| 6  | A7           | A6 | 1  | 1  | 0  | 0  | 0  | 0  |
| 5  | A7           | A6 | 1  | 0  | 1  | 0  | 0  | 0  |
| 4  | A7           | A6 | 1  | 0  | 0  | 0  | 0  | 0  |
| 3  | A7           | A6 | 0  | 1  | 1  | 0  | 0  | 0  |
| 2  | A7           | A6 | 0  | 1  | 0  | 0  | 0  | 0  |
| 1  | A7           | A6 | 0  | 0  | 1  | 0  | 0  | 0  |
| 0  | A7           | A6 | 0  | 0  | 0  | 0  | 0  | 0  |

During the third  $\overline{INTA}$  pulse the higher address of the appropriate service routine, which was programmed as byte 2 of the initialization sequence (A<sub>8</sub>–A<sub>15</sub>), is enabled onto the bus.

**Content of Third Interrupt Vector Byte**

| D7  | D6  | D5  | D4  | D3  | D2  | D1 | D0 |
|-----|-----|-----|-----|-----|-----|----|----|
| A15 | A14 | A13 | A12 | A11 | A10 | A9 | A8 |

**8086, 8088**

8086 mode is similar to MCS-80 mode except that only two Interrupt Acknowledge cycles are issued by the processor and no CALL opcode is sent to the processor. The first interrupt acknowledge cycle is similar to that of MCS-80, 85 systems in that the 8259A uses it to internally freeze the state of the interrupts for priority resolution and as a master it issues the interrupt code on the cascade lines at the end of the  $\overline{INTA}$  pulse. On this first cycle it does not issue any data to the processor and leaves its data bus buffers disabled. On the second interrupt acknowledge cycle in 8086 mode the master (or slave if so programmed) will send a byte of data to the processor with the acknowledged interrupt code

composed as follows (note the state of the ADI mode control is ignored and A<sub>5</sub>–A<sub>11</sub> are unused in 8086 mode):

**Content of Interrupt Vector Byte for 8086 System Mode**

|     | D7 | D6 | D5 | D4 | D3 | D2 | D1 | D0 |
|-----|----|----|----|----|----|----|----|----|
| IR7 | T7 | T6 | T5 | T4 | T3 | 1  | 1  | 1  |
| IR6 | T7 | T6 | T5 | T4 | T3 | 1  | 1  | 0  |
| IR5 | T7 | T6 | T5 | T4 | T3 | 1  | 0  | 1  |
| IR4 | T7 | T6 | T5 | T4 | T3 | 1  | 0  | 0  |
| IR3 | T7 | T6 | T5 | T4 | T3 | 0  | 1  | 1  |
| IR2 | T7 | T6 | T5 | T4 | T3 | 0  | 1  | 0  |
| IR1 | T7 | T6 | T5 | T4 | T3 | 0  | 0  | 1  |
| IR0 | T7 | T6 | T5 | T4 | T3 | 0  | 0  | 0  |

**PROGRAMMING THE 8259A**

The 8259A accepts two types of command words generated by the CPU:

1. *Initialization Command Words (ICWs)*: Before normal operation can begin, each 8259A in the system must be brought to a starting point—by a sequence of 2 to 4 bytes timed by  $\overline{WR}$  pulses.
2. *Operation Command Words (OCWs)*: These are the command words which command the 8259A to operate in various interrupt modes. These modes are:
  - a. Fully nested mode
  - b. Rotating priority mode
  - c. Special mask mode
  - d. Polled mode

The OCWs can be written into the 8259A anytime after initialization.

**INITIALIZATION COMMAND WORDS (ICWS)**

**General**

Whenever a command is issued with A<sub>0</sub> = 0 and D<sub>4</sub> = 1, this is interpreted as Initialization Command Word 1 (ICW1). ICW1 starts the initialization sequence during which the following automatically occur.

- a. The edge sense circuit is reset, which means that following initialization, an interrupt request (IR) input must make a low-to-high transition to generate an interrupt.

- b. The Interrupt Mask Register is cleared.
- c. IR7 input is assigned priority 7.
- d. The slave mode address is set to 7.
- e. Special Mask Mode is cleared and Status Read is set to IRR.
- f. If  $IC4 = 0$ , then all functions selected in ICW4 are set to zero. (Non-Buffered mode\*, no Auto-EOI, MCS-80, 85 system).

**\*NOTE:**

Master/Slave in ICW4 is only used in the buffered mode.

### Initialization Command Words 1 and 2 (ICW1, ICW2)

$A_5-A_{15}$ : Page starting address of service routines. In an MCS 80/85 system, the 8 request levels will generate CALLs to 8 locations equally spaced in memory. These can be programmed to be spaced at intervals of 4 or 8 memory locations, thus the 8 routines will occupy a page of 32 or 64 bytes, respectively.

The address format is 2 bytes long ( $A_0-A_{15}$ ). When the routine interval is 4,  $A_0-A_4$  are automatically inserted by the 8259A, while  $A_5-A_{15}$  are programmed externally. When the routine interval is 8,  $A_0-A_5$  are automatically inserted by the 8259A, while  $A_6-A_{15}$  are programmed externally.

The 8-byte interval will maintain compatibility with current software, while the 4-byte interval is best for a compact jump table.

In an 8086 system  $A_{15}-A_{11}$  are inserted in the five most significant bits of the vectoring byte and the 8259A sets the three least significant bits according to the interrupt level.  $A_{10}-A_5$  are ignored and ADI (Address interval) has no effect.

LTIM: If  $LTIM = 1$ , then the 8259A will operate in the level interrupt mode. Edge detect logic on the interrupt inputs will be disabled.

ADI: CALL address interval.  $ADI = 1$  then interval = 4;  $ADI = 0$  then interval = 8.

SNGL: Single. Means that this is the only 8259A in the system. If  $SNGL = 1$  no ICW3 will be issued.

IC4: If this bit is set—ICW4 has to be read. If ICW4 is not needed, set  $IC4 = 0$ .

### Initialization Command Word 3 (ICW3)

This word is read only when there is more than one 8259A in the system and cascading is used, in which

case  $SNGL = 0$ . It will load the 8-bit slave register. The functions of this register are:

- a. In the master mode (either when  $SP = 1$ , or in buffered mode when  $M/S = 1$  in ICW4) a "1" is set for each slave in the system. The master then will release byte 1 of the call sequence (for MCS-80/85 system) and will enable the corresponding slave to release bytes 2 and 3 (for 8086 only byte 2) through the cascade lines.
- b. In the slave mode (either when  $\overline{SP} = 0$ , or if  $BUF = 1$  and  $M/S = 0$  in ICW4) bits 2-0 identify the slave. The slave compares its cascade input with these bits and, if they are equal, bytes 2 and 3 of the call sequence (or just byte 2 for 8086) are released by it on the Data Bus.

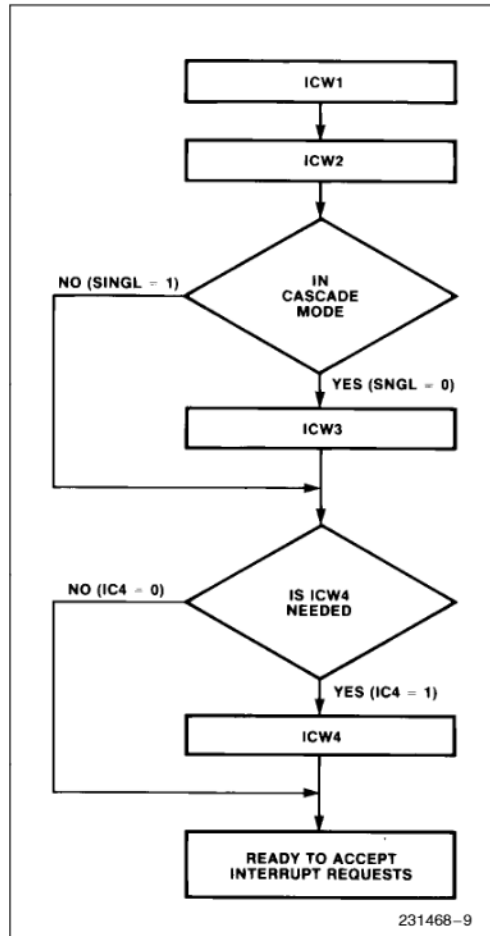


Figure 6. Initialization Sequence

**Initialization Command Word 4 (ICW4)**

SFNM: If SFNM = 1 the special fully nested mode is programmed.

BUF: If BUF = 1 the buffered mode is programmed. In buffered mode  $\overline{SP/EN}$  becomes an enable output and the master/slave determination is by M/S.

M/S: If buffered mode is selected: M/S = 1 means the 8259A is programmed to be a

master, M/S = 0 means the 8259A is programmed to be a slave. If BUF = 0, M/S has no function.

AEOI: If AEOI = 1 the automatic end of interrupt mode is programmed.

$\mu$ PM: Microprocessor mode:  $\mu$ PM = 0 sets the 8259A for MCS-80, 85 system operation,  $\mu$ PM = 1 sets the 8259A for 8086 system operation.

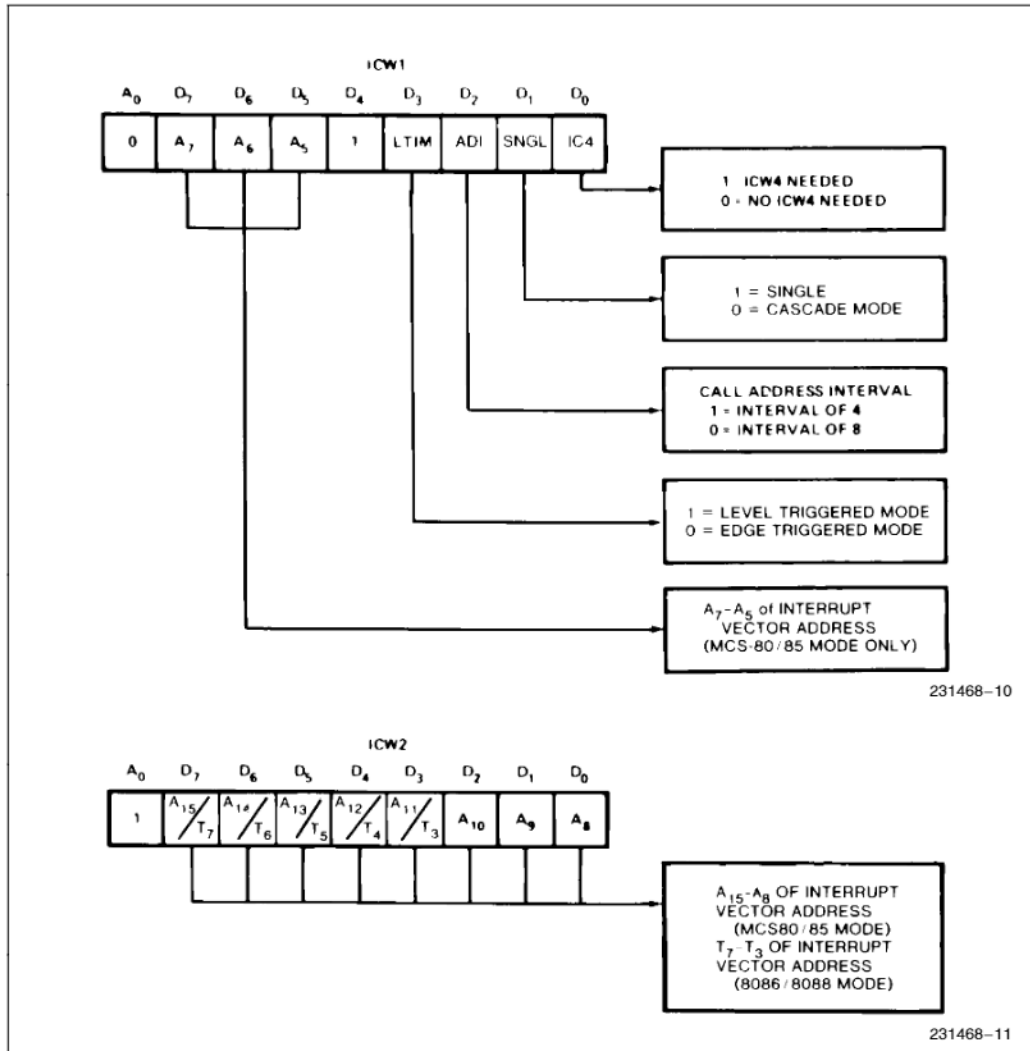


Figure 7. Initialization Command Word Format

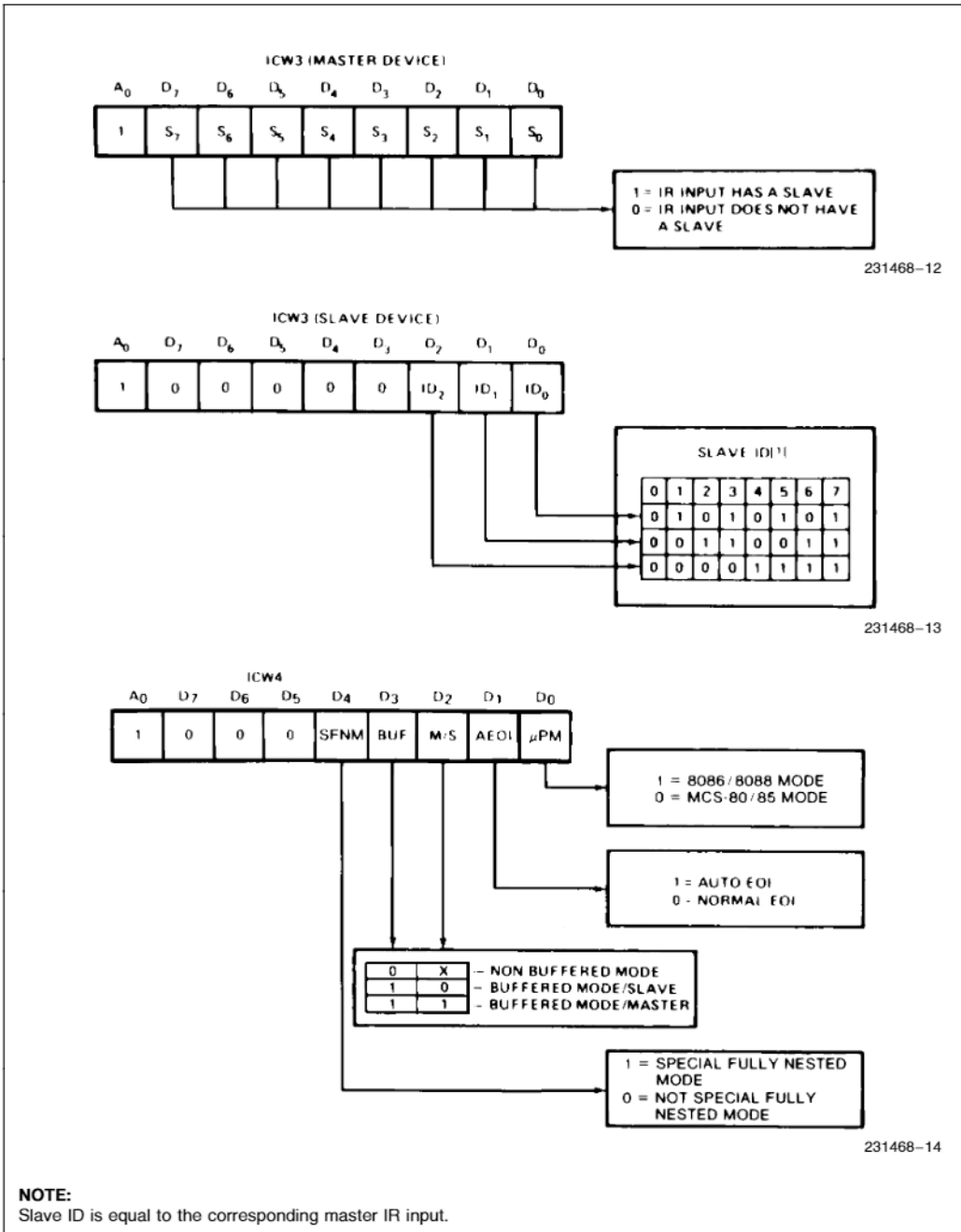


Figure 7. Initialization Command Word Format (Continued)

**OPERATION COMMAND WORDS (OCWS)**

After the Initialization Command Words (ICWs) are programmed into the 8259A, the chip is ready to accept interrupt requests at its input lines. However, during the 8259A operation, a selection of algorithms can command the 8259A to operate in various modes through the Operation Command Words (OCWs).

**Operation Control Words (OCWs)**

| OCW1 |    |    |    |    |    |    |    |    |
|------|----|----|----|----|----|----|----|----|
| A0   | D7 | D6 | D5 | D4 | D3 | D2 | D1 | D0 |
| 1    | M7 | M6 | M5 | M4 | M3 | M2 | M1 | M0 |

| OCW2 |    |    |     |    |    |    |    |    |
|------|----|----|-----|----|----|----|----|----|
| A0   | D7 | D6 | D5  | D4 | D3 | D2 | D1 | D0 |
| 0    | R  | SL | EOI | 0  | 0  | L2 | L1 | L0 |

| OCW3 |      |     |    |    |    |    |     |    |
|------|------|-----|----|----|----|----|-----|----|
| A0   | D7   | D6  | D5 | D4 | D3 | D2 | D1  | D0 |
| 0    | ESMM | SMM | 0  | 1  | P  | RR | RIS |    |

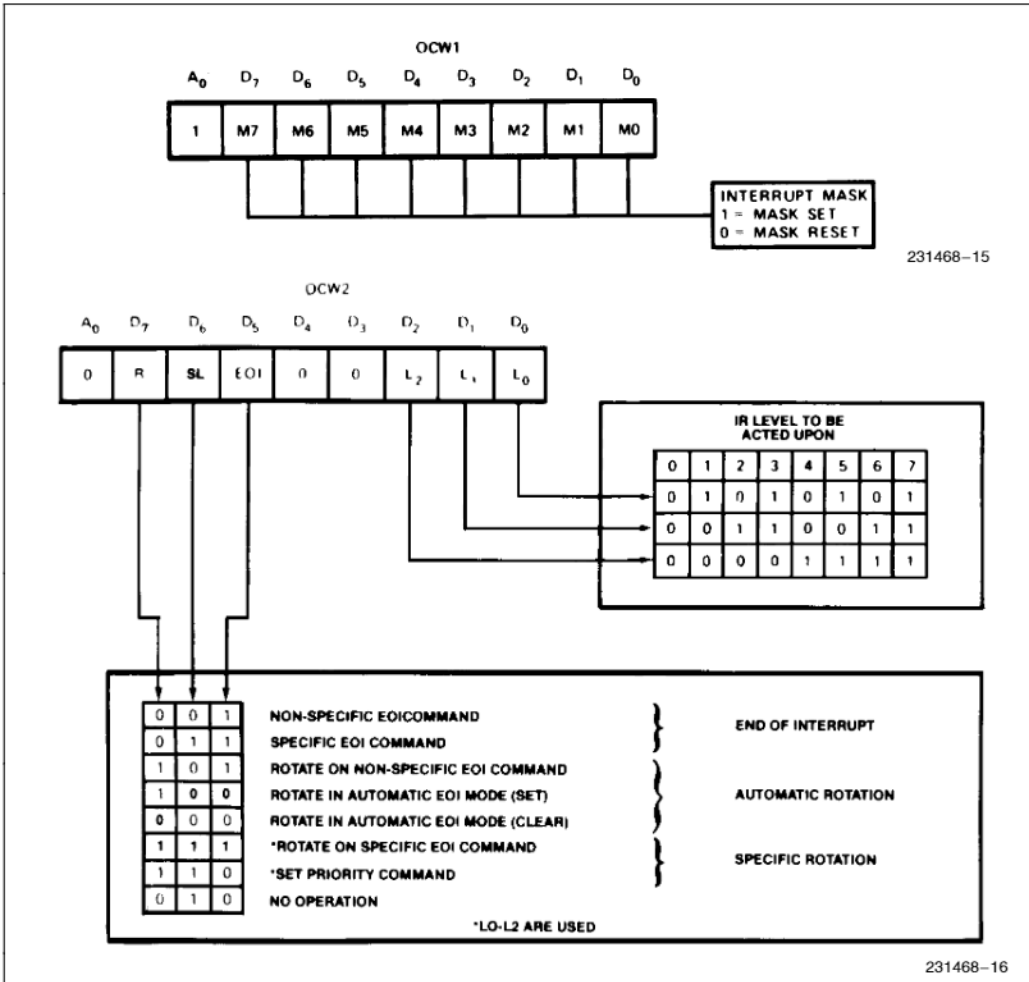


Figure 8. Operation Command Word Format

### Operation Control Word 1 (OCW1)

OCW1 sets and clears the mask bits in the interrupt Mask Register (IMR). M<sub>7</sub>–M<sub>0</sub> represent the eight mask bits. M = 1 indicates the channel is masked (inhibited), M = 0 indicates the channel is enabled.

### Operation Control Word 2 (OCW2)

R, SL, EOI—These three bits control the Rotate and End of Interrupt modes and combinations of the two. A chart of these combinations can be found on the Operation Command Word Format.

L<sub>2</sub>, L<sub>1</sub>, L<sub>0</sub>—These bits determine the interrupt level acted upon when the SL bit is active.

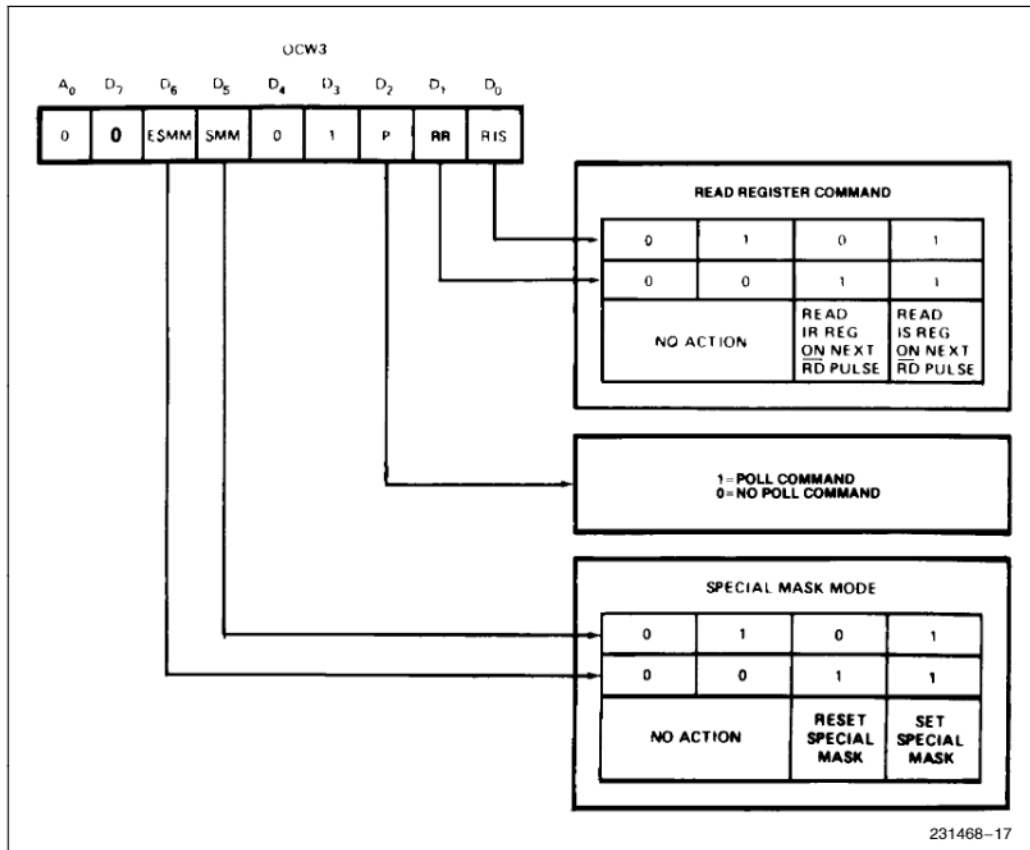


Figure 8. Operation Command Word Format (Continued)

### Operation Control Word 3 (OCW3)

**ESMM**—Enable Special Mask Mode. When this bit is set to 1 it enables the SMM bit to set or reset the Special Mask Mode. When ESMM = 0 the SMM bit becomes a “don’t care”.

**SMM**—Special Mask Mode. If ESMM = 1 and SMM = 1 the 8259A will enter Special Mask Mode. If ESMM = 1 and SMM = 0 the 8259A will revert to normal mask mode. When ESMM = 0, SMM has no effect.

### Fully Nested Mode

This mode is entered after initialization unless another mode is programmed. The interrupt requests are ordered in priority from 0 through 7 (0 highest). When an interrupt is acknowledged the highest priority request is determined and its vector placed on the bus. Additionally, a bit of the Interrupt Service register (ISO-7) is set. This bit remains set until the microprocessor issues an End of Interrupt (EOI) command immediately before returning from the service routine, or if AEIO (Automatic End of Interrupt) bit is set, until the trailing edge of the last INTA. While the IS bit is set, all further interrupts of the same or lower priority are inhibited, while higher levels will generate an interrupt (which will be acknowledged only if the microprocessor internal Interrupt enable flip-flop has been re-enabled through software).

After the initialization sequence, IR0 has the highest priority and IR7 the lowest. Priorities can be changed, as will be explained, in the rotating priority mode.

### End of Interrupt (EOI)

The In Service (IS) bit can be reset either automatically following the trailing edge of the last in sequence INTA pulse (when AEIO bit in ICW1 is set) or by a command word that must be issued to the 8259A before returning from a service routine (EOI command). An EOI command must be issued twice if in the Cascade mode, once for the master and once for the corresponding slave.

There are two forms of EOI command: Specific and Non-Specific. When the 8259A is operated in modes which preserve the fully nested structure, it can determine which IS bit to reset on EOI. When a Non-Specific EOI command is issued the 8259A will automatically reset the highest IS bit of those that are set, since in the fully nested mode the highest IS level was necessarily the last level acknowledged and serviced. A non-specific EOI can be issued with OCW2 (EOI = 1, SL = 0, R = 0).

When a mode is used which may disturb the fully nested structure, the 8259A may no longer be able to determine the last level acknowledged. In this case a Specific End of Interrupt must be issued which includes as part of the command the IS level to be reset. A specific EOI can be issued with OCW2 (EOI = 1, SL = 1, R = 0, and L0–L2 is the binary level of the IS bit to be reset).

It should be noted that an IS bit that is masked by an IMR bit will not be cleared by a non-specific EOI if the 8259A is in the Special Mask Mode.

### Automatic End of Interrupt (AEIO) Mode

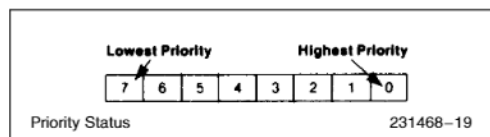
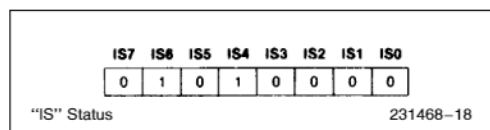
If AEIO = 1 in ICW4, then the 8259A will operate in AEIO mode continuously until reprogrammed by ICW4. In this mode the 8259A will automatically perform a non-specific EOI operation at the trailing edge of the last interrupt acknowledge pulse (third pulse in MCS-80/85, second in 8086). Note that from a system standpoint, this mode should be used only when a nested multilevel interrupt structure is not required within a single 8259A.

The AEIO mode can only be used in a master 8259A and not a slave. 8259As with a copyright date of 1985 or later will operate in the AEIO mode as a master or a slave.

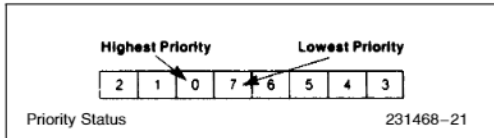
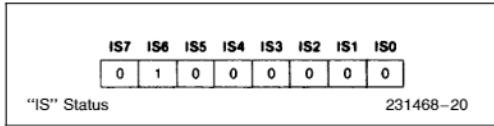
### Automatic Rotation (Equal Priority Devices)

In some applications there are a number of interrupting devices of equal priority. In this mode a device, after being serviced, receives the lowest priority, so a device requesting an interrupt will have to wait, in the worst case until each of 7 other devices are serviced at most *once*. For example, if the priority and “in service” status is:

**Before Rotate** (IR4 the highest priority requiring service)



**After Rotate** (IR4 was serviced, all other priorities rotated correspondingly)



There are two ways to accomplish Automatic Rotation using OCW2, the Rotation on Non-Specific EOI Command ( $R = 1$ ,  $SL = 0$ ,  $EOI = 1$ ) and the Rotate in Automatic EOI Mode which is set by ( $R = 1$ ,  $SL = 0$ ,  $EOI = 0$ ) and cleared by ( $R = 0$ ,  $SL = 0$ ,  $EOI = 0$ ).

### Specific Rotation (Specific Priority)

The programmer can change priorities by programming the bottom priority and thus fixing all other priorities; i.e., if IR5 is programmed as the bottom priority device, then IR6 will have the highest one.

The Set Priority command is issued in OCW2 where:  $R = 1$ ,  $SL = 1$ ,  $L0-L2$  is the binary priority level code of the bottom priority device.

Observe that in this mode internal status is updated by software control during OCW2. However, it is independent of the End of Interrupt (EOI) command (also executed by OCW2). Priority changes can be executed during an EOI command by using the Rotate on Specific EOI command in OCW2 ( $R = 1$ ,  $SL = 1$ ,  $EOI = 1$  and  $LO-L2 = IR$  level to receive bottom priority).

### Interrupt Masks

Each Interrupt Request input can be masked individually by the Interrupt Mask Register (IMR) programmed through OCW1. Each bit in the IMR masks one interrupt channel if it is set (1). Bit 0 masks IR0, Bit 1 masks IR1 and so forth. Masking an IR channel does not affect the other channels operation.

### Special Mask Mode

Some applications may require an interrupt service routine to dynamically alter the system priority struc-

ture during its execution under software control. For example, the routine may wish to inhibit lower priority requests for a portion of its execution but enable some of them for another portion.

The difficulty here is that if an Interrupt Request is acknowledged and an End of Interrupt command did not reset its IS bit (i.e., while executing a service routine), the 8259A would have inhibited all lower priority requests with no easy way for the routine to enable them.

That is where the Special Mask Mode comes in. In the special Mask Mode, when a mask bit is set in OCW1, it inhibits further interrupts at that level *and enables* interrupts from *all other* levels (lower as well as higher) that are not masked.

Thus, any interrupts may be selectively enabled by loading the mask register.

The special Mask Mode is set by OWC3 where:  $SSMM = 1$ ,  $SMM = 1$ , and cleared where  $SSMM = 1$ ,  $SMM = 0$ .

### Poll Command

In Poll mode the INT output functions as it normally does. The microprocessor should ignore this output. This can be accomplished either by not connecting the INT output or by masking interrupts within the microprocessor, thereby disabling its interrupt input. Service to devices is achieved by software using a Poll command.

The Poll command is issued by setting  $P = '1'$  in OCW3. The 8259A treats the next  $\overline{RD}$  pulse to the 8259A (i.e.,  $\overline{RD} = 0$ ,  $\overline{CS} = 0$ ) as an interrupt acknowledge, sets the appropriate IS bit if there is a request, and reads the priority level. Interrupt is frozen from  $\overline{WR}$  to  $\overline{RD}$ .

The word enabled onto the data bus during  $\overline{RD}$  is:

|    |    |    |    |    |    |    |    |
|----|----|----|----|----|----|----|----|
| D7 | D6 | D5 | D4 | D3 | D2 | D1 | D0 |
| I  | —  | —  | —  | —  | W2 | W1 | W0 |

W0-W2: Binary code of the highest priority level requesting service.

I: Equal to "1" if there is an interrupt.

This mode is useful if there is a routine common to several levels so that the  $\overline{INTA}$  sequence is not needed (saves ROM space). Another application is to use the poll mode to expand the number of priority levels to more than 64.

### Reading the 8259A Status

The input status of several internal registers can be read to update the user information on the system.



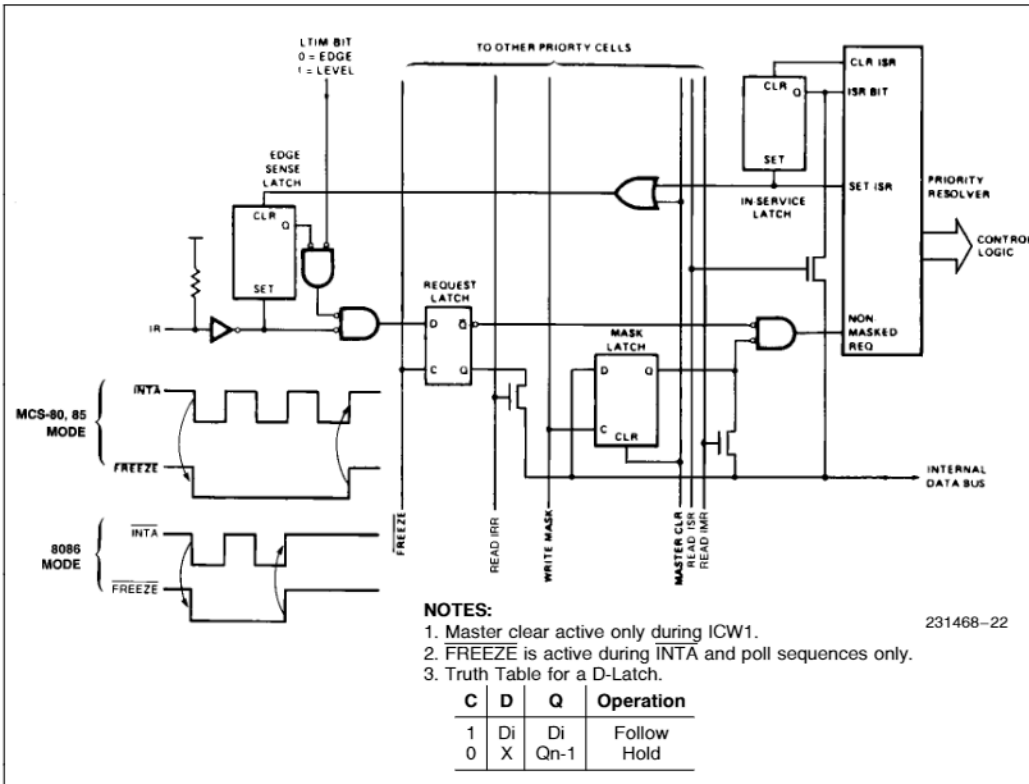


Figure 9. Priority Cell—Simplified Logic Diagram

The following registers can be read via OCW3 (IRR and ISR or OCW1 [IMR]).

**Interrupt Request Register (IRR):** 8-bit register which contains the levels requesting an interrupt to be acknowledged. The highest request level is reset from the IRR when an interrupt is acknowledged. (Not affected by IMR.)

**In-Service Register (ISR):** 8-bit register which contains the priority levels that are being serviced. The ISR is updated when an End of Interrupt Command is issued.

**Interrupt Mask Register:** 8-bit register which contains the interrupt request lines which are masked.

The IRR can be read when, prior to the RD pulse, a Read Register Command is issued with OCW3 (RR = 1, RIS = 0.)

The ISR can be read, when, prior to the RD pulse, a Read Register Command is issued with OCW3 (RR = 1, RIS = 1).

There is no need to write an OCW3 before every status read operation, as long as the status read corresponds with the previous one; i.e., the 8259A “remembers” whether the IRR or ISR has been previously selected by the OCW3. This is not true when poll is used.

After initialization the 8259A is set to IRR.

For reading the IMR, no OCW3 is needed. The output data bus will contain the IMR whenever RD is active and A0 = 1 (OCW1).

Polling overrides status read when P = 1, RR = 1 in OCW3.

### Edge and Level Triggered Modes

This mode is programmed using bit 3 in ICW1.

If LTIM = ‘0’, an interrupt request will be recognized by a low to high transition on an IR input. The IR input can remain high without generating another interrupt.

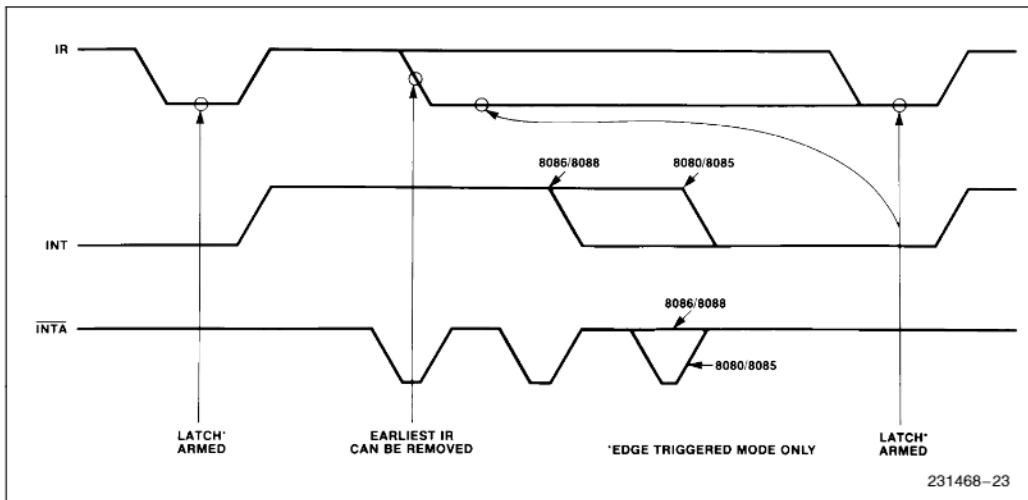


Figure 10. IR Triggering Timing Requirements

If  $LTIM = '1'$ , an interrupt request will be recognized by a 'high' level on IR Input, and there is no need for an edge detection. The interrupt request must be removed before the EOI command is issued or the CPU interrupt is enabled to prevent a second interrupt from occurring.

The priority cell diagram shows a conceptual circuit of the level sensitive and edge sensitive input circuitry of the 8259A. Be sure to note that the request latch is a transparent D type latch.

In both the edge and level triggered modes the IR inputs must remain high until after the falling edge of the first INTA. If the IR input goes low before this time a DEFAULT IR7 will occur when the CPU acknowledges the interrupt. This can be a useful safeguard for detecting interrupts caused by spurious noise glitches on the IR inputs. To implement this feature the IR7 routine is used for "clean up" simply executing a return instruction, thus ignoring the interrupt. If IR7 is needed for other purposes a default IR7 can still be detected by reading the ISR. A normal IR7 interrupt will set the corresponding ISR bit, a default IR7 won't. If a default IR7 routine occurs during a normal IR7 routine, however, the ISR will remain set. In this case it is necessary to keep track of whether or not the IR7 routine was previously entered. If another IR7 occurs it is a default.

### The Special Fully Nest Mode

This mode will be used in the case of a big system where cascading is used, and the priority has to be conserved within each slave. In this case the fully nested mode will be programmed to the master (us-

ing ICW4). This mode is similar to the normal nested mode with the following exceptions:

- When an interrupt request from a certain slave is in service this slave is not locked out from the master's priority logic and further interrupt requests from higher priority IR's within the slave will be recognized by the master and will initiate interrupts to the processor. (In the normal nested mode a slave is masked out when its request is in service and no higher requests from the same slave can be serviced.)
- When exiting the Interrupt Service routine the software has to check whether the interrupt serviced was the only one from that slave. This is done by sending a non-specific End of Interrupt (EOI) command to the slave and then reading its In-Service register and checking for zero. If it is empty, a non-specific EOI can be sent to the master too. If not, no EOI should be sent.

### Buffered Mode

When the 8259A is used in a large system where bus driving buffers are required on the data bus and the cascading mode is used, there exists the problem of enabling buffers.

The buffered mode will structure the 8259A to send an enable signal on  $SP/\overline{EN}$  to enable the buffers. In this mode, whenever the 8259A's data bus outputs are enabled, the  $SP/\overline{EN}$  output becomes active.

This modification forces the use of software programming to determine whether the 8259A is a master or a slave. Bit 3 in ICW4 programs the buffered mode, and bit 2 in ICW4 determines whether it is a master or a slave.

### CASCADE MODE

The 8259A can be easily interconnected in a system of one master with up to eight slaves to handle up to 64 priority levels.

The master controls the slaves through the 3 line cascade bus. The cascade bus acts like chip selects to the slaves during the  $\overline{INTA}$  sequence.

In a cascade configuration, the slave interrupt outputs are connected to the master interrupt request inputs. When a slave request line is activated and afterwards acknowledged, the master will enable the corresponding slave to release the device routine address during bytes 2 and 3 of  $\overline{INTA}$ . (Byte 2 only for 8086/8088).

The cascade bus lines are normally low and will contain the slave address code from the trailing edge of the first  $\overline{INTA}$  pulse to the trailing edge of the third pulse. Each 8259A in the system must follow a separate initialization sequence and can be programmed to work in a different mode. An EOI command must be issued twice: once for the master and once for the corresponding slave. An address decoder is required to activate the Chip Select (CS) input of each 8259A.

The cascade lines of the Master 8259A are activated only for slave inputs, non-slave inputs leave the cascade line inactive (low).

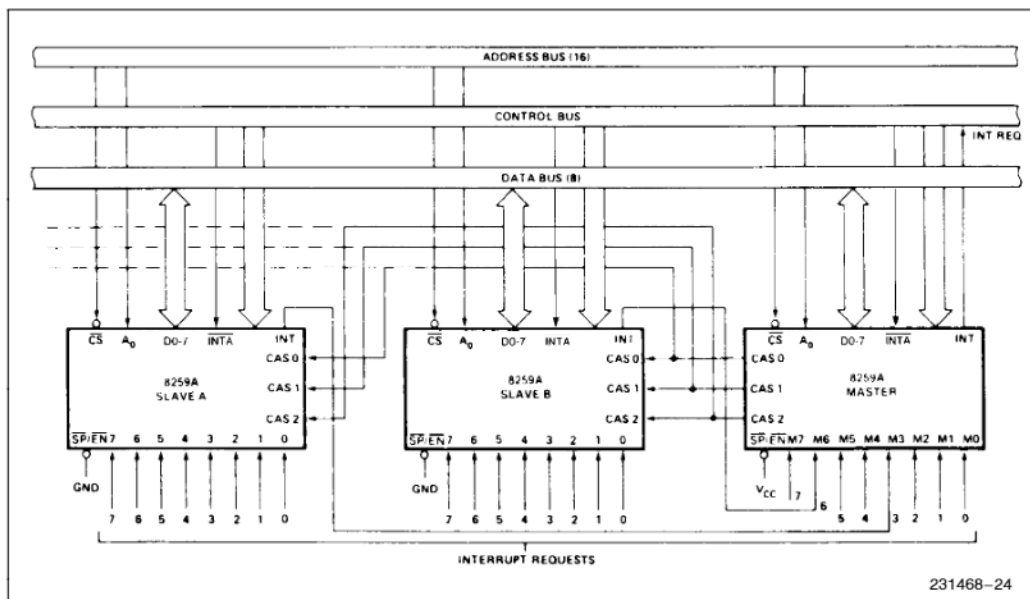


Figure 11. Cascading the 8259A

**ABSOLUTE MAXIMUM RATINGS\***

Ambient Temperature Under Bias . . . . . 0°C to 70°C  
 Storage Temperature . . . . . -65°C to +150°C  
 Voltage on Any Pin  
 with Respect to Ground . . . . . -0.5V to +7V  
 Power Dissipation . . . . . 1W

NOTICE: This is a production data sheet. The specifications are subject to change without notice.

*\*WARNING: Stressing the device beyond the "Absolute Maximum Ratings" may cause permanent damage. These are stress ratings only. Operation beyond the "Operating Conditions" is not recommended and extended exposure beyond the "Operating Conditions" may affect device reliability.*

**D.C. CHARACTERISTICS**  $T_A = 0^\circ\text{C to } 70^\circ\text{C}$ ,  $V_{CC} = 5V \pm 10\%$ 

| Symbol        | Parameter                     | Min  | Max             | Units         | Test Conditions                  |
|---------------|-------------------------------|------|-----------------|---------------|----------------------------------|
| $V_{IL}$      | Input Low Voltage             | -0.5 | 0.8             | V             |                                  |
| $V_{IH}$      | Input High Voltage            | 2.0* | $V_{CC} + 0.5V$ | V             |                                  |
| $V_{OL}$      | Output Low Voltage            |      | 0.45            | V             | $I_{OL} = 2.2\text{ mA}$         |
| $V_{OH}$      | Output High Voltage           | 2.4  |                 | V             | $I_{OH} = -400\ \mu\text{A}$     |
| $V_{OH(INT)}$ | Interrupt Output High Voltage | 3.5  |                 | V             | $I_{OH} = -100\ \mu\text{A}$     |
|               |                               | 2.4  |                 | V             | $I_{OH} = -400\ \mu\text{A}$     |
| $I_{LI}$      | Input Load Current            | -10  | +10             | $\mu\text{A}$ | $0V \leq V_{IN} \leq V_{CC}$     |
| $I_{LOL}$     | Output Leakage Current        | -10  | +10             | $\mu\text{A}$ | $0.45V \leq V_{OUT} \leq V_{CC}$ |
| $I_{CC}$      | $V_{CC}$ Supply Current       |      | 85              | mA            |                                  |
| $I_{LIR}$     | IR Input Load Current         |      | -300            | $\mu\text{A}$ | $V_{IN} = 0$                     |
|               |                               |      | 10              | $\mu\text{A}$ | $V_{IN} = V_{CC}$                |

**\*NOTE:**

For Extended Temperature EXPRESS  $V_{IH} = 2.3V$ .

**CAPACITANCE**  $T_A = 25^\circ\text{C}$ ;  $V_{CC} = \text{GND} = 0V$ 

| Symbol    | Parameter         | Min | Typ | Max | Unit | Test Conditions                      |
|-----------|-------------------|-----|-----|-----|------|--------------------------------------|
| $C_{IN}$  | Input Capacitance |     |     | 10  | pF   | $f_c = 1\text{ MHz}$                 |
| $C_{I/O}$ | I/O Capacitance   |     |     | 20  | pF   | Unmeasured Pins Returned to $V_{SS}$ |

**A.C. CHARACTERISTICS**  $T_A = 0^\circ\text{C}$  to  $70^\circ\text{C}$ ,  $V_{CC} = 5V \pm 10\%$ 
**TIMING REQUIREMENTS**

| Symbol | Parameter  | 8259A |     | 8259A-2 |     | Units | Test Conditions |
|--------|--|-------|-----|---------|-----|-------|-----------------|
|        |  | Min   | Max | Min     | Max |       |                 |
| TAHRL  | AO/ $\overline{\text{CS}}$ Setup to $\overline{\text{RD}}/\overline{\text{INTA}} \downarrow$   | 0     |     | 0       |     | ns    |                 |
| TRHAX  | AO/ $\overline{\text{CS}}$ Hold after $\overline{\text{RD}}/\overline{\text{INTA}} \uparrow$   | 0     |     | 0       |     | ns    |                 |
| TRLRH  | $\overline{\text{RD}}$ Pulse Width   | 235   |     | 160     |     | ns    |                 |
| TAHWL  | AO/ $\overline{\text{CS}}$ Setup to $\overline{\text{WR}} \downarrow$  | 0     |     | 0       |     | ns    |                 |
| TWHAX  | AO/ $\overline{\text{CS}}$ Hold after $\overline{\text{WR}} \uparrow$  | 0     |     | 0       |     | ns    |                 |
| TWLWH  | $\overline{\text{WR}}$ Pulse Width   | 290   |     | 190     |     | ns    |                 |
| TDVWH  | Data Setup to $\overline{\text{WR}} \uparrow$  | 240   |     | 160     |     | ns    |                 |
| TWHDX  | Data Hold after $\overline{\text{WR}} \uparrow$  | 0     |     | 0       |     | ns    |                 |
| TJLJH  | Interrupt Request Width (Low)  | 100   |     | 100     |     | ns    | See Note 1      |
| TCVIAL | Cascade Setup to Second or Third $\overline{\text{INTA}} \downarrow$ (Slave Only)  | 55    |     | 40      |     | ns    |                 |
| TRHRL  | End of $\overline{\text{RD}}$ to Next $\overline{\text{RD}}$<br>End of $\overline{\text{INTA}}$ to Next $\overline{\text{INTA}}$ within<br>an $\overline{\text{INTA}}$ Sequence Only | 160   |     | 100     |     | ns    |                 |
| TWHWL  | End of $\overline{\text{WR}}$ to Next $\overline{\text{WR}}$   | 190   |     | 100     |     | ns    |                 |
| *TCHCL | End of Command to Next Command<br>(Not Same Command Type)  | 500   |     | 150     |     | ns    |                 |
|        | End of $\overline{\text{INTA}}$ Sequence to Next<br>$\overline{\text{INTA}}$ Sequence.   | 500   |     | 300     |     |       |                 |

\*Worst case timing for TCHCL in an actual microprocessor system is typically much greater than 500 ns (i.e. 8085A = 1.6  $\mu\text{s}$ , 8085A-2 = 1  $\mu\text{s}$ , 8086 = 1  $\mu\text{s}$ , 8086-2 = 625 ns)

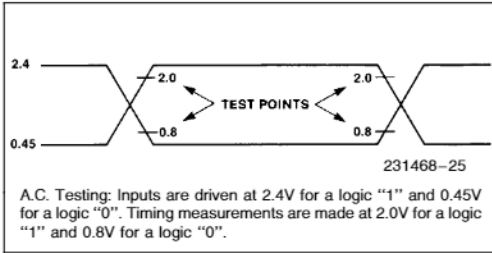
**NOTE:**

This is the low time required to clear the input latch in the edge triggered mode.

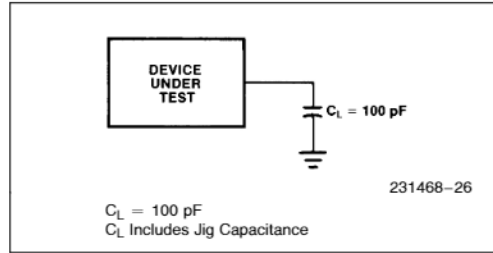
**TIMING RESPONSES**

| Symbol | Parameter   | 8259A |     | 8259A-2 |     | Units | Test Conditions                           |
|--------|---|-------|-----|---------|-----|-------|---|
|        |   | Min   | Max | Min     | Max |       |   |
| TRLDV  | Data Valid from $\overline{\text{RD}}/\overline{\text{INTA}} \downarrow$                    |       | 200 |         | 120 | ns    | C of Data Bus = 100 pF                    |
| TRHDZ  | Data Float after $\overline{\text{RD}}/\overline{\text{INTA}} \uparrow$                     | 10    | 100 | 10      | 85  | ns    | C of Data Bus                             |
| TJHIH  | Interrupt Output Delay  |       | 350 |         | 300 | ns    | Max Test C = 100 pF<br>Min Test C = 15 pF |
| TIALCV | Cascade Valid from First $\overline{\text{INTA}} \downarrow$<br>(Master Only)               |       | 565 |         | 360 | ns    | $C_{\text{INT}} = 100 \text{ pF}$         |
| TRLEL  | Enable Active from $\overline{\text{RD}} \downarrow$ or $\overline{\text{INTA}} \downarrow$ |       | 125 |         | 100 | ns    | $C_{\text{CASCADE}} = 100 \text{ pF}$     |
| TRHEH  | Enable Inactive from $\overline{\text{RD}} \uparrow$ or $\overline{\text{INTA}} \uparrow$   |       | 150 |         | 150 | ns    |   |
| TAHDV  | Data Valid from Stable Address  |       | 200 |         | 200 | ns    |   |
| TCVDV  | Cascade Valid to Valid Data   |       | 300 |         | 200 | ns    |   |

**A.C. TESTING INPUT/OUTPUT WAVEFORM**

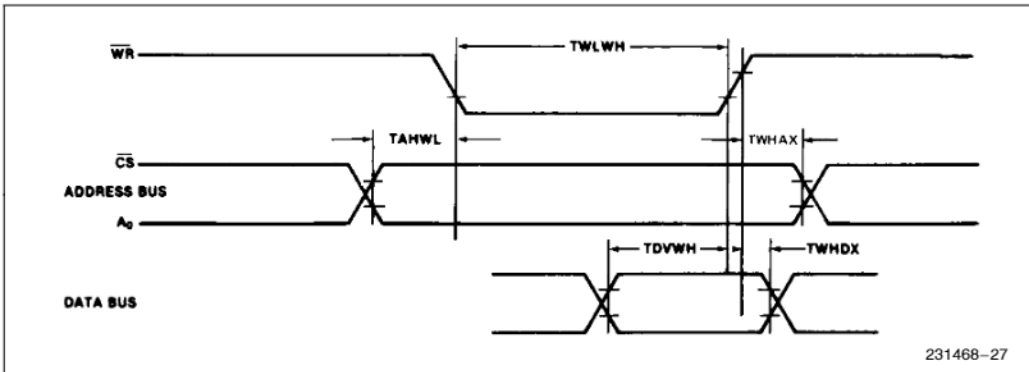


**A.C. TESTING LOAD CIRCUIT**



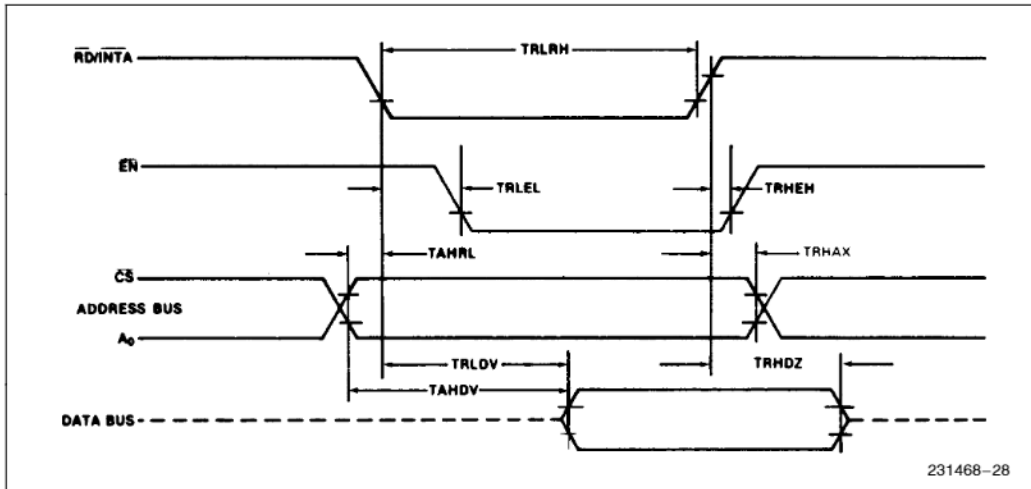
**WAVEFORMS**

**WRITE**

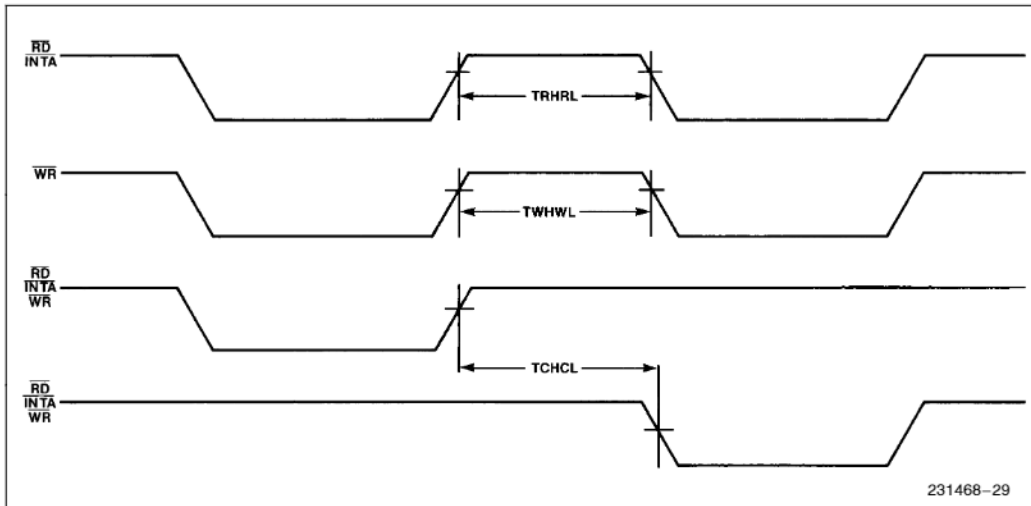


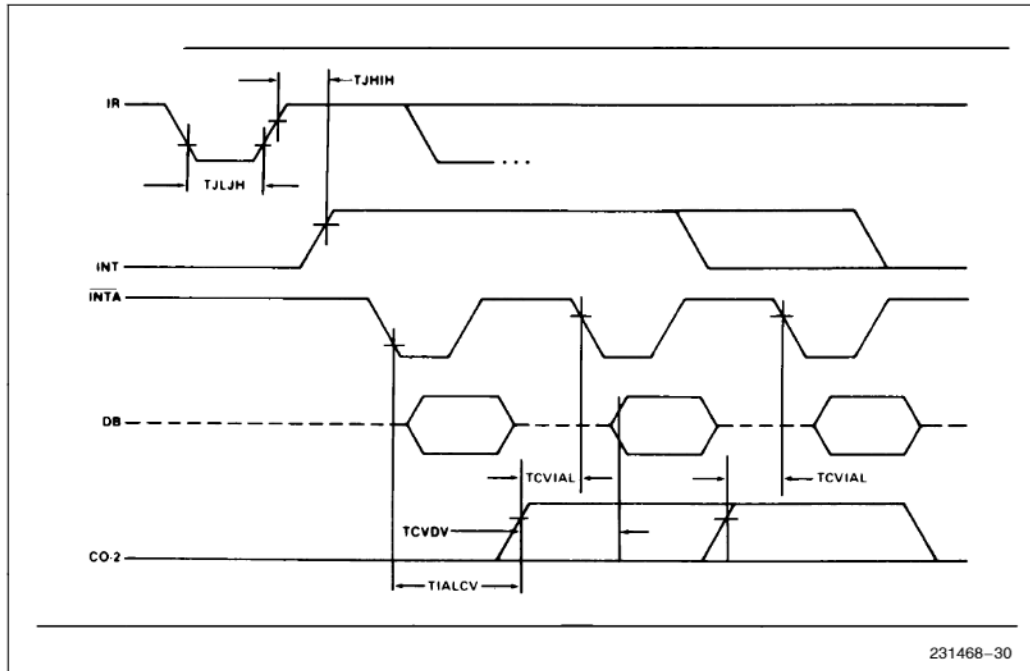
WAVEFORMS (Continued)

READ/INTA



OTHER TIMING



**WAVEFORMS** (Continued)**INTA SEQUENCE****NOTES:**

Interrupt output must remain HIGH at least until leading edge of first INTA.

1. Cycle 1 in 8086, 8088 systems, the Data Bus is not active.

**Data Sheet Revision Review**

The following changes have been made since revision 2 of the 8259A data sheet.

1. The first paragraph of the Poll Command section was rewritten to clarify the status of the INT pin.
2. A paragraph was added to the Interrupt Sequence section to indicate the status of the INT pin during multiple interrupts.
3. A reference to PLCC packaging was added.
4. All references to the 8259A-8 have been deleted.



INTEL CORPORATION, 2200 Mission College Blvd., Santa Clara, CA 95052; Tel. (408) 765-8080

INTEL CORPORATION (U.K.) Ltd., Swindon, United Kingdom; Tel. (0793) 696 000

INTEL JAPAN k.k., Ibaraki-ken; Tel. 029747-8511