



# LXT970A

## Dual-Speed Fast Ethernet Transceiver

---

### Datasheet

The LXT970A is an enhanced derivative of the LXT970 10/100 Mbps Fast Ethernet PHY Transceiver that supports selectable driver strength capabilities and link-loss criteria. The LXT970A supports 100BASE-TX, 10BASE-T, and 100BASE-FX applications. It provides a Media Independent Interface (MII) for easy attachment to 10/100 Media Access Controllers (MAC)s and a pseudo-ECL interface for use with 100BASE-FX fiber networks.

The LXT970A supports full-duplex operation at 10 and 100 Mbps. Its operating condition is set using auto-negotiation, parallel detection or manual control. The encoder may be bypassed for symbol mode applications.

The LXT970A is fabricated with an advanced CMOS process and requires only a single 5V power supply. The MII may be operated independently with either a 5V or a 3.3V supply.

## Applications

- Combination 10BASE-T/100BASE-TX Network Interface Cards (NICs)
- 100BASE-FX Network Interface Cards (NICs)
- 10/100 Switches, 10/100 Printservers

## Product Features

- IEEE 802.3 Compliant:
  - 10BASE-T and 100BASE-TX using a single RJ-45 connection.
  - Supports auto-negotiation and parallel detection for legacy systems.
  - MII interface with extended register capability.
- Robust baseline wander correction performance.
- 100BASE-FX fiber optic capable.
- Standard CSMA/CD or full-duplex operation.
- Configurable via MII serial port or external control pins.
- Configurable for DTE or switch applications.
- CMOS process with single 5V supply operation with provision for interface to 3.3V MII bus.
- Integrated LED drivers.
- Integrated supply monitor and line disconnect during low supply fault.
- Available in:
  - 64-pin TQFP (LXT970ATC)
  - 64-pin PQFP (LXT970AQC)
- Commercial temperature range (0 - 70°C ambient).



Information in this document is provided in connection with Intel® products. No license, express or implied, by estoppel or otherwise, to any intellectual property rights is granted by this document. Except as provided in Intel's Terms and Conditions of Sale for such products, Intel assumes no liability whatsoever, and Intel disclaims any express or implied warranty, relating to sale and/or use of Intel products including liability or warranties relating to fitness for a particular purpose, merchantability, or infringement of any patent, copyright or other intellectual property right. Intel products are not intended for use in medical, life saving, or life sustaining applications.

Intel may make changes to specifications and product descriptions at any time, without notice.

Designers must not rely on the absence or characteristics of any features or instructions marked "reserved" or "undefined." Intel reserves these for future definition and shall have no responsibility whatsoever for conflicts or incompatibilities arising from future changes to them.

The LXT970A may contain design defects or errors known as errata which may cause the product to deviate from published specifications. Current characterized errata are available on request.

Contact your local Intel sales office or your distributor to obtain the latest specifications and before placing your product order.

Copies of documents which have an ordering number and are referenced in this document, or other Intel literature may be obtained by calling 1-800-548-4725 or by visiting Intel's website at <http://www.intel.com>.

Copyright © Intel Corporation, 2001

\*Third-party brands and names are the property of their respective owners.

# Contents

---

<b>1.0</b>	<b>Pin Assignments and Signal Descriptions</b> .....	10
<b>2.0</b>	<b>Functional Description</b> .....	18
2.1	Introduction.....	18
2.2	Interfaces (Network Media/Protocol Support) .....	19
2.2.1	Twisted-Pair Interface .....	19
2.2.2	Fiber Interface .....	19
2.2.3	MII Interface .....	20
2.2.3.1	Selectable Driver Levels.....	20
2.2.3.2	MII Data Interface.....	21
2.2.3.3	Repeater Mode.....	24
2.2.3.4	MII Management Interface .....	24
2.2.4	Hardware Control Interface .....	26
2.3	Operating Requirements .....	27
2.3.1	Power Supply Requirements.....	27
2.3.1.1	Optional MII Power Supply.....	27
2.3.2	Reference Clock Requirements .....	27
2.3.2.1	Master Clock Mode .....	28
2.3.2.2	Slave Clock Mode .....	28
2.3.3	Bias Circuit Requirements.....	29
2.4	Initialization.....	29
2.4.1	Control Mode Selection .....	29
2.4.1.1	MDIO Control Mode .....	29
2.4.1.2	Manual Control Mode .....	29
2.4.2	Link Configuration .....	29
2.4.2.1	Manual Configuration .....	30
2.4.2.2	Auto-Negotiation/Parallel Detection .....	30
2.5	Monitoring Operational Status.....	31
2.5.1	Monitoring Status via MII Registers.....	31
2.5.2	Monitoring Status via Indicator Pins .....	32
2.6	100BASE-X Operation .....	32
2.6.1	100BASE-X MII Operations.....	32
2.6.2	100BASE-X Network Operations .....	33
2.7	10BASE-T Operation.....	35
2.7.1	10BASE-T MII Operations.....	35
2.7.2	10BASE-T Network Operations.....	35
2.8	Protocol Sublayer Operations .....	35
2.8.1	PCS Sublayer.....	35
2.8.1.1	100X Preamble Handling .....	36
2.8.1.2	10T Preamble Handling.....	36
2.8.1.3	Data Errors (100X Only).....	36
2.8.1.4	Collision Indication .....	37
2.8.1.5	SQE (10T Only).....	38
2.8.1.6	Jabber (10T Only) .....	38
2.8.2	PMA Layer.....	38
2.8.2.1	100TX Link Options.....	38
2.8.2.2	10T Link Test.....	38

	2.8.2.3 Carrier Sense (CRS) .....	38
2.8.3	Twisted-Pair PMD Layer .....	39
	2.8.3.1 Scrambler/Descrambler (100TX Only) .....	39
	2.8.3.2 Baseline Wander Correction (100TX Only).....	39
	2.8.3.3 Polarity Correction.....	39
2.8.4	Fiber PMD Layer .....	39
2.8.5	Additional Operating Features .....	40
2.8.6	Low-Voltage-Fault Detect.....	40
2.8.7	Power Down Mode.....	40
2.8.8	Software Reset.....	40
2.8.9	Hardware Reset .....	40
<b>3.0</b>	<b>Application Information .....</b>	<b>41</b>
3.1	Magnetics Information .....	41
3.2	Crystal Information .....	41
3.3	Design Recommendations .....	42
	3.3.1 General Design Guidelines .....	42
	3.3.2 Power Supply Filtering .....	42
	3.3.3 Ground Noise .....	43
	3.3.4 Power and Ground Plane Layout Considerations .....	43
	3.3.5 Interfaces for Twisted-Pair /Fiber .....	43
	3.3.5.1 Twisted-Pair .....	43
	3.3.5.2 Fiber .....	44
	3.3.6 Interface for the MII .....	44
	3.3.6.1 Transmit Hold Time Adjustment.....	44
	3.3.6.2 MII Terminations.....	44
	3.3.7 Typical Application .....	45
	3.3.7.1 Voltage Divider For MF Inputs.....	45
<b>4.0</b>	<b>Test Specifications .....</b>	<b>47</b>
<b>5.0</b>	<b>Register Definitions .....</b>	<b>63</b>
<b>6.0</b>	<b>Mechanical Specifications .....</b>	<b>73</b>

## Figures

1	LXT970A Block Diagram .....	9
2	LXT970A Pin Assignments .....	10
3	Network Interface Card (NIC) Application .....	18
4	MII Interface .....	20
5	MII Data Interface .....	21
6	Loopback Paths .....	23
7	Repeater Block Diagram .....	24
8	MDIO Interrupt Signaling .....	25
9	Management Interface - Read Frame Structure .....	25
10	Management Interface - Write Frame Structure .....	25
11	LXT970A Initialization Sequence .....	30
12	Auto-Negotiation Operation .....	31
13	100BASE-TX Frame Structure .....	33
14	100BASE-TX Data Flow .....	33
15	LXT970A Protocol Sublayers .....	36
16	100BASE-TX Reception with No Errors .....	37
17	100BASE-TX Reception with Invalid Symbol .....	37
18	100BASE-TX Transmission with No Errors .....	37
19	100BASE-TX Transmission with Collision .....	37
20	Voltage Divider .....	45
21	Typical Interface Circuitry .....	46
22	MII - 100BASE-TX Receive Timing / 4B Mode .....	51
23	MII - 100BASE-TX Transmit Timing / 4B Mode .....	52
24	MII - 100BASE-TX Receive Timing / 5B Mode .....	53
25	100BASE-TX Transmit Timing / 5B Mode .....	54
26	MII - 100BASE-FX Receive Timing / 4B Mode .....	55
27	MII - 100BASE-FX Transmit Timing / 4B Mode .....	56
28	MII - 10BASE-T Receiving Timing .....	57
29	MII - 10BASE-T Transmit Timing .....	58
30	10BASE-T SQE (Heartbeat) Timing .....	59
31	10BASE-T Jab and Unjab Timing .....	59
32	Auto Negotiation and Fast Link Pulse Timing .....	60
33	Fast Link Pulse Timing .....	60
34	MDIO Timing when Sourced by STA .....	61
35	MDIO Timing when Sourced by PHY .....	61
36	Power-Down Recovery Timing (Over Recommended Range) .....	62
37	PHY Identifier Bit Mapping .....	66
38	64-Pin QFP Package Diagram .....	73
39	64-Pin TQFP Package Diagram .....	74

## Tables

1	LXT970A Power Supply Signal Descriptions .....	10
2	LXT970A MII Signal Descriptions .....	11
3	LXT970A Fiber Interface Signal Descriptions .....	12
4	LXT970A Twisted-Pair Interface Signal Descriptions .....	13
5	LXT970A LED Indicator Signal Descriptions.....	13
6	LXT970A Miscellaneous Signal Descriptions.....	13
7	LXT970A Hardware Control Interface Signal Descriptions .....	14
8	MF Pin Function Settings1, 3 .....	16
9	LXT970A Auto-Negotiation Operating Speed/Full-Duplex Advertisement Settings .....	17
10	Test Loopback Operation.....	23
11	Carrier Sense, Loopback, and Collision Conditions .....	23
12	Configuring the LXT970A via Hardware Control .....	26
13	LXT970A Operating Configurations / Auto-Negotiation Enabled .....	26
14	LXT970A Operating Configurations / Auto-Negotiation Disabled .....	27
15	Mode Control Settings.....	29
16	LXT970A Status using FDS/LED Pins .....	32
17	4B/5B Coding .....	34
18	Magnetics Requirements .....	41
19	Crystal Requirements.....	41
20	Crystal Component Manufacturers .....	41
21	Absolute Maximum Ratings .....	47
22	Operating Conditions .....	47
23	Digital I/O Characteristics1.....	48
24	Digital I/O Characteristics - MultiFunction Pins MF<4:0>.....	48
25	Required Clock Characteristics.....	48
26	Low Voltage Fault Detect Characteristics .....	49
27	100BASE-TX Transceiver Characteristics .....	49
28	100BASE-FX Transceiver Characteristics .....	49
29	10BASE-T Transceiver Characteristics.....	50
30	10BASE-T Link Integrity Timing Characteristics .....	50
31	MI - 100BASE-TX Receive Timing Parameters / 4B Mode.....	51
32	MI - 100BASE-TX Transmit Timing Parameters / 4B Mode.....	52
33	MI - 100BASE-TX Receive Timing Parameters / 5B Mode.....	53
34	MI - 100BASE-TX Transmit Timing Parameters / 5B Mode.....	54
35	MI - 100BASE-FX Receive Timing Parameters / 4B Mode.....	55
36	MI - 100BASE-FX Transmit Timing Parameters / 4B Mode.....	56
37	MI - 10BASE-T Receive Timing Parameters.....	57
38	MI - 10BASE-T Transmit Timing Parameters.....	58
39	10BASE-T SQE (Heartbeat) Timing Parameters .....	59
40	10BASE-T Jab and Unjab Timing Parameters.....	59
41	Auto Negotiation and Fast Link Pulse Timing Parameters.....	60
42	MDIO Timing Parameters .....	61
43	Power-Down Recovery Timing Parameters .....	62
44	Register Set .....	63
45	Control Register (Address 0).....	64
46	Status Register (Address 1) .....	65
47	PHY Identification Register 1 (Address 2).....	66
48	PHY Identification Register 2 (Address 3).....	66



49	Auto Negotiation Advertisement Register (Address 4).....	67
50	Auto Negotiation Link Partner Ability Register (Address 5).....	68
51	Auto Negotiation Expansion (Address 6) .....	69
52	Mirror Register (Address 16, Hex 10).....	69
53	Interrupt Enable Register (Address 17, Hex 11) .....	70
54	Interrupt Status Register (Address 18, Hex 12) .....	70
55	Configuration Register (Address 19, Hex 13).....	71
56	Chip Status Register (Address 20, Hex 14) .....	72

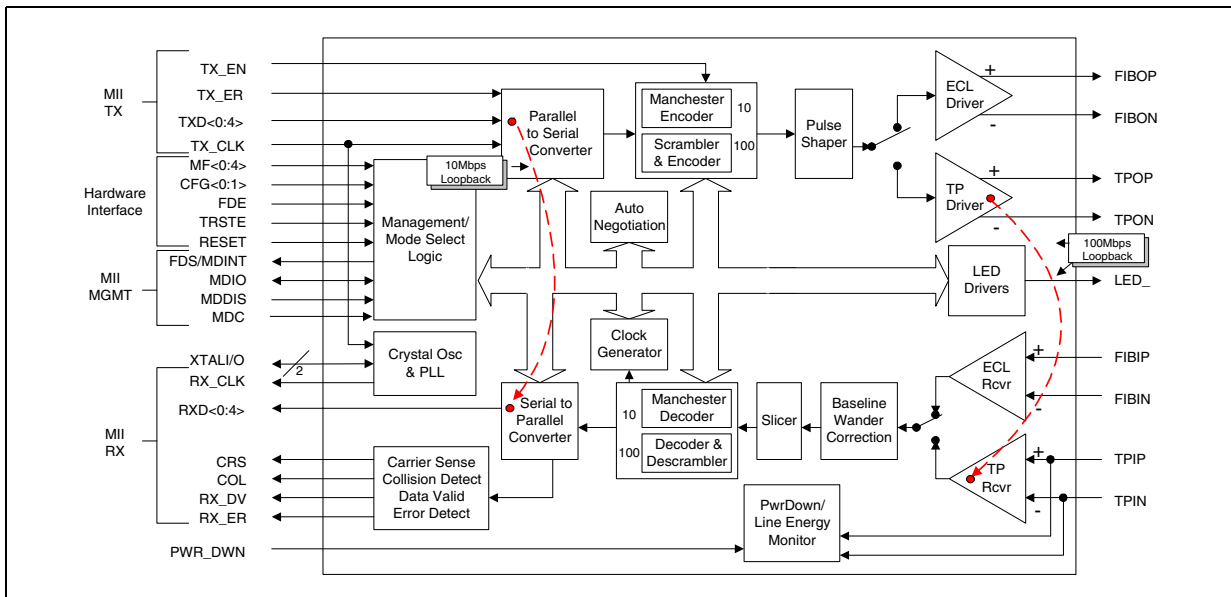
## Revision History

---

Revision	Date	Description



Figure 1. LXT970A Block Diagram



## 1.0 Pin Assignments and Signal Descriptions

Figure 2. LXT970A Pin Assignments

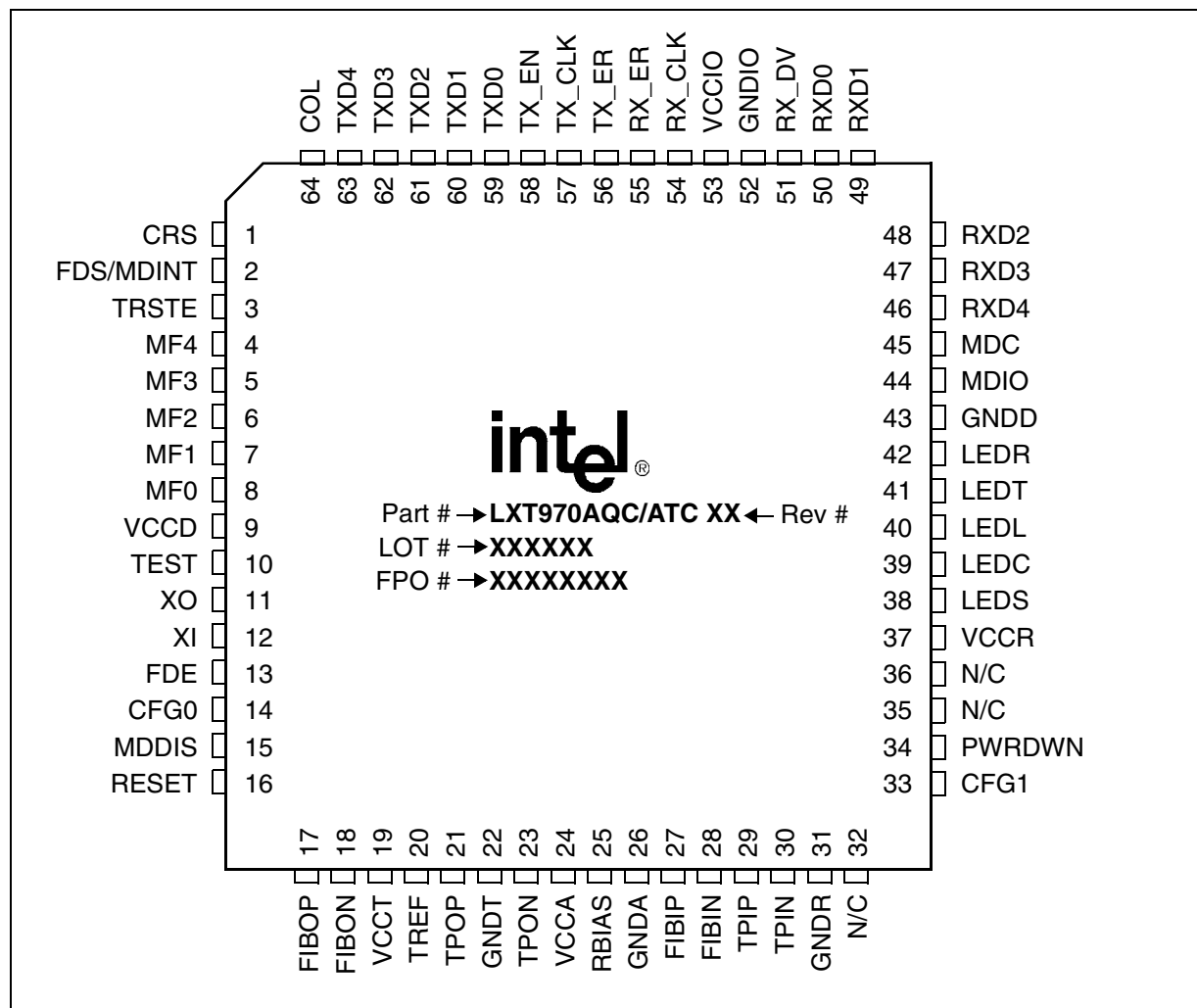


Table 1. LXT970A Power Supply Signal Descriptions

Pin# <sup>1</sup>	Pin Name	I/O	Signal Description
19, 22	VCCT, GNDT	-	<b>Transmitter Supply</b> (+5V) and <b>Ground</b> . (Analog plane)
37, 31	VCCR, NDR	-	<b>Receiver Supply</b> (+5V) and <b>Ground</b> . (Analog plane)
24, 26	VCCA, NDA	-	<b>Analog Supply</b> (+5V) and <b>Ground</b> .
9, 43	VCCD, GNDD	-	<b>Digital Supply</b> (+5V) and <b>Ground</b> .
53, 52	VCCIO, GNDIO	-	<b>MII Supply</b> (+3.3V or +5V) and <b>Ground</b> . (Digital plane)

1. Pin numbers apply to all package types.

**Table 2. LXT970A MII Signal Descriptions**

Pin# <sup>1</sup>	Pin Name	I/O <sup>2,3</sup>	Signal Description <sup>4</sup>
<b>MII Data Interface Pins</b>			
63 62 61 60 59	TXD4 TXD3 TXD2 TXD1 TXD0	I	<b>Transmit Data.</b> The Media Access Controller (MAC) drives data to the LXT970A using these inputs. TXD4 is monitored only in Symbol (5B) Mode. These signals must be synchronized to the TX_CLK.
58	TX_EN	I	<b>Transmit Enable.</b> The MAC asserts this signal when it drives valid data on the TXD inputs. This signal must be synchronized to the TX_CLK.
57	TX_CLK	I/O	<b>Transmit Clock.</b> Normally the LXT970A drives TX_CLK; in Slave Clock Mode, TX_CLK is an input. Refer to the Clock Requirements discussion in the Functional Description section on <a href="#">page 18</a> . 25 MHz for 100 Mbps operation. 2.5 MHz for 10 Mbps operation.
56	TX_ER	I	<b>Transmit Coding Error.</b> The MAC asserts this input when an error has occurred in the transmit data stream. When the LXT970A is operating at 100 Mbps, the LXT970A responds by sending invalid code symbols on the line.
46 47 48 49 50	RXD4 RXD3 RXD2 RXD1 RXD0	O	<b>Receive Data.</b> The LXT970A drives received data on these outputs, synchronous to RX_CLK. RXD4 is driven only in Symbol (5B) Mode.
51	RX_DV	O	<b>Receive Data Valid.</b> The LXT970A asserts this signal when it drives valid data on RXD. This output is synchronous to RX_CLK.
55	RX_ER	O	<b>Receive Error.</b> The LXT970A asserts this output when it receives invalid symbols from the network. This signal is synchronous to RX_CLK.
54	RX_CLK	O	<b>Receive Clock.</b> This continuous clock provides reference for RXD, RX_DV, and RX_ER signals. Refer to the Clock Requirements discussion in the Functional Description section. 25 MHz for 100 Mbps operation. 2.5 MHz for 10 Mbps operation.
64	COL	O	<b>Collision Detected.</b> The LXT970A asserts this output when detecting a collision. This output remains High for the duration of the collision. This signal is asynchronous and inactive during full-duplex operation.
1	CRS	O	<b>Carrier Sense.</b> During half-duplex operation (bit 0.8 = 0), the LXT970A asserts this output when either transmit or receive medium is non-idle. During full-duplex operation (bit 0.8 = 1) or repeater operation (bit 19.13 = 1), CRS is asserted only when the receive medium is non-idle.
<ol style="list-style-type: none"> <li>Pin numbers apply to all package types.</li> <li>I/O Column Coding: I = Input, O = Output, OD = Open Drain, A = Analog.</li> <li>If bit 17.3 = 0, 55Ω series termination resistors are recommended on all output signals to avoid undershoot/overshoot, even on short traces. If bit 17.3 = 1, termination resistors are not required.</li> <li>The LXT970A supports the 802.3 MDIO register set. Specific bits in the registers are referenced using an "X.Y" notation, where X is the register number (0-6 or 16-20) and Y is the bit number (0-15).</li> </ol>			

Table 2. LXT970A MII Signal Descriptions (Continued)

Pin# <sup>1</sup>	Pin Name	I/O <sup>2,3</sup>	Signal Description <sup>4</sup>
3	TRSTE	I	<p><b>Tri-state.</b> In DTE Mode (19.13 = 0), when TRSTE input is High, the LXT970A isolates itself from the MII Data Interface, and controls the MDIO register bit 0.10 (Isolate bit).</p> <p>When MDDIS is High, TRSTE provides continuous control over bit 0.10. When MDDIS is Low, TRSTE sets initial (default) values only and reverts control back to the MDIO interface.</p> <p>In Repeater Mode (19.13 = 1), when TRSTE input is High, the LXT970A tri-states the receive outputs of the MII (RXD&lt;4:0&gt;, RX_DV, RX_ER, RX_CLK).</p>
<b>MII Control Interface Pins</b>			
15	MDDIS	I	<p><b>Management Disable.</b> When MDDIS is High, the MDIO is restricted to Read Only and the MF&lt;4:0&gt;, CFG&lt;1:0&gt;, and FDE pins provide continual control of their respective bits. When MDDIS is Low at power up or Reset, the MF&lt;4:0&gt;, CFG&lt;1:0&gt;, and FDE pins control only the initial or “default” values of their respective register bits. After the power-up/reset cycle is complete, bit control reverts to the MDIO serial channel.</p>
45	MDC	I	<p><b>Management Data Clock.</b> Clock for the MDIO serial data channel. Maximum frequency is 2.5 MHz.</p>
44	MDIO	I/O	<p><b>Management Data Input/Output.</b> Bidirectional serial data channel for PHY/STA communication.</p>
2	FDS/MDINT	OD	<p><b>Full-Duplex Status.</b> When bit 17.1 = 0 (default), this pin indicates full-duplex status. (High = full-duplex, Low = half-duplex)</p> <p>This pin can drive a high efficiency LED. (See Table 23 for detail specifications).</p> <p><b>Management Data Interrupt.</b> When bit 17.1 = 1, an active Low output on this pin indicates status change.</p> <p>Interrupt is cleared by sequentially reading Register 1, then Register 18.</p>
<p>1. Pin numbers apply to all package types.</p> <p>2. I/O Column Coding: I = Input, O = Output, OD = Open Drain, A = Analog.</p> <p>3. If bit 17.3 = 0, 55Ω series termination resistors are recommended on all output signals to avoid undershoot/overshoot, even on short traces. If bit 17.3 = 1, termination resistors are not required.</p> <p>4. The LXT970A supports the 802.3 MDIO register set. Specific bits in the registers are referenced using an “X.Y” notation, where X is the register number (0-6 or 16-20) and Y is the bit number (0-15).</p>			

Table 3. LXT970A Fiber Interface Signal Descriptions

Pin# <sup>1</sup>	Pin Name	I/O <sup>2</sup>	Signal Description
17 18	FIBOP FIBON	O	<p><b>Fiber Output, Positive and Negative.</b> Differential pseudo-ECL driver pair compatible with standard fiber transceiver for 100BASE-FX.</p>
27 28	FIBIP FIBIN	I	<p><b>Fiber Input, Positive and Negative.</b> Differential pseudo-ECL receive pair compatible with standard fiber transceiver for 100BASE-FX.</p>
<p>1. Pin numbers apply to all package types.</p> <p>2. I/O Column Coding: I = Input, O = Output, OD = Open Drain, A = Analog.</p>			

**Table 4. LXT970A Twisted-Pair Interface Signal Descriptions**

Pin# <sup>1</sup>	Pin Name	I/O <sup>2</sup>	Signal Description
21 23	TPOP TPON	AO	<b>Twisted-Pair Output, Positive and Negative.</b> Differential driver pair produces 802.3-compliant pulses for either 100BASE-TX or 10BASE-T transmission.
20	TREF	AO	<b>Transmit Reference.</b> Tie to center tap of output transformer.
29 30	TPIP TPIN	AI	<b>Twisted-Pair Input, Positive and Negative.</b> Differential input pair for either 100BASE-TX or 10BASE-T reception.

1. Pin numbers apply to all package types.  
2. I/O Column Coding: I = Input, O = Output, OD = Open Drain, A = Analog

**Table 5. LXT970A LED Indicator Signal Descriptions**

Pin# <sup>1</sup>	Pin Name	I/O <sup>2</sup>	Signal Description <sup>3</sup>
38	LEDS	O	<b>Speed LED.</b> Active Low output indicates 100 Mbps operation is selected.
42	LEDR	O	<b>Receive LED.</b> Active Low output indicates that receiver is active.
41	LEDT	O	<b>Transmit LED.</b> Active Low output indicates transmitter is active.
40	LEDL	O	<b>Link LED.</b> Active Low output; During 100 Mbps operation, indicates scrambler lock and receipt of valid Idle codes. During 10 Mbps operation, indicates Link Valid status.
39	LEDC	O	<b>Collision LED.</b> In default mode, active Low output indicates collision. However, LEDC is programmable and may be set for other indications. For programming options, see Configuration Register 19 in <a href="#">Table 55, "Configuration Register (Address 19, Hex 13)" on page 71</a> .

1. Pin numbers apply to all package types.  
2. I/O Column Coding: I = Input, O = Output, OD = Open Drain, A = Analog.  
3. LEDs are read at power-up to determine scrambler seed values.

**Table 6. LXT970A Miscellaneous Signal Descriptions**

Pin# <sup>1</sup>	Pin Name	I/O <sup>2</sup>	Signal Description
10	TEST	I	<b>Test.</b> Must be tied Low.
12 11	XI XO	I O	<b>Crystal Input and Output.</b> Use a clock at XI or connect a 25 MHz crystal oscillator across XI and XO. Refer to the Functional Description section for detailed clock requirements on <a href="#">page 18</a> .
25	RBIAS	AI	<b>Bias Control.</b> Controls operating circuit bias via an external 22.1 k $\Omega$ , 1% resistor to ground.
16	RESET	I	<b>Reset.</b> This active Low input is OR'ed with the control register Reset bit (0.15). The LXT970A reset cycle is extended 300 $\mu$ s (nominal) after Reset is de-asserted.
34	PWRDWN	I	<b>Power Down.</b> When High, forces LXT970A into power down mode. This pin is OR'ed with the Power Down bit (0.11). Refer to <a href="#">Table 45</a> for more information.
32, 35, 36	N/C	-	<b>No Connection.</b> Leave open.

1. Pin numbers apply to all package types.  
2. I/O Column Coding: I = Input, O = Output, OD = Open Drain, A = Analog.

Table 7. LXT970A Hardware Control Interface Signal Descriptions

Pin# <sup>1</sup>	Pin Name	I/O <sup>2</sup>	Signal Description <sup>3</sup>																													
8	MF0	I	<p><b>Multi-Function (MF).</b> Five dual-function configuration inputs. Each pin accepts one of four input voltage levels (VMF1 = 5V, VMF2 = 3.5V, VMF3 = 1.5V, VMF4 = 0V). A simple resistor divider network, as shown in <a href="#">Figure 20 on page 45</a>, is required to establish Mid-level (VMF2 and VMF3) settings. VMF1 and VMF4 (default) settings, can be established with the LXT970A standard power supply and do not require a voltage divider. One voltage divider may be used to drive the MF pins in designs using multiple LXT970A's.</p> <p>Each MF pin internally drives two different configuration functions. The first function determines the 5-bit address that the LXT970A responds to on the MDIO line. The second function determines a particular operational mode of the LXT970A. Each MF pin also determines the state of a particular bit in the MII registers. The MDDIS input determines if this effect occurs only at initialization (MDDIS = 0) or continuously (MDDIS = 1). The relationship between the input levels and the two configuration functions are shown in <a href="#">Table 8 on page 16</a> and <a href="#">Table 9 on page 17</a>.</p> <p>The operating functions of MF4, CFG0, and CFG1 change depending on the state of MF0 (Auto-Negotiation enabled or disabled). The functions of MF4, CFG1 and FDE are interrelated.</p> <p>The functions of the five MF inputs are as follows:</p> <table border="1"> <thead> <tr> <th>Pin</th> <th>MII Address</th> <th>MII Bit</th> <th>Operating Function</th> </tr> </thead> <tbody> <tr> <td>MF0</td> <td>0</td> <td>0.12</td> <td>Auto-Negotiation</td> </tr> <tr> <td>MF1</td> <td>1</td> <td>19.13</td> <td>Repeater Mode (Disabling DTE Mode)</td> </tr> <tr> <td>MF2</td> <td>2</td> <td>19.4</td> <td>5B Symbol Mode (Disabling 4B Nibble Mode)</td> </tr> <tr> <td>MF3</td> <td>3</td> <td>19.3</td> <td>Scrambler Operation (Disabling Scrambler)</td> </tr> <tr> <td rowspan="2">MF4</td> <td rowspan="2">4</td> <td>4.7</td> <td rowspan="2">Auto-Negotiation Enabled - Advertise 100 Mbps</td> </tr> <tr> <td>4.8</td> </tr> <tr> <td></td> <td></td> <td>19.2</td> <td>Auto-Negotiation Disabled - Selects TX/FX</td> </tr> </tbody> </table>	Pin	MII Address	MII Bit	Operating Function	MF0	0	0.12	Auto-Negotiation	MF1	1	19.13	Repeater Mode (Disabling DTE Mode)	MF2	2	19.4	5B Symbol Mode (Disabling 4B Nibble Mode)	MF3	3	19.3	Scrambler Operation (Disabling Scrambler)	MF4	4	4.7	Auto-Negotiation Enabled - Advertise 100 Mbps	4.8			19.2	Auto-Negotiation Disabled - Selects TX/FX
Pin	MII Address			MII Bit	Operating Function																											
MF0	0			0.12	Auto-Negotiation																											
MF1	1			19.13	Repeater Mode (Disabling DTE Mode)																											
MF2	2			19.4	5B Symbol Mode (Disabling 4B Nibble Mode)																											
MF3	3	19.3	Scrambler Operation (Disabling Scrambler)																													
MF4	4	4.7	Auto-Negotiation Enabled - Advertise 100 Mbps																													
		4.8																														
		19.2	Auto-Negotiation Disabled - Selects TX/FX																													
7	MF1																															
6	MF2																															
5	MF3																															
4	MF4																															
<p>1. Pin numbers apply to all package types.</p> <p>2. I/O Column Coding: I = Input, O = Output, OD = Open Drain, A = Analog.</p> <p>3. FDE, CFG0, and CFG1 are affected by the MDDIS input pin. When MDDIS = 0, these inputs determine only the initial state of the function they control. When MDDIS = 1, these inputs provide continuous hardware control over their corresponding functions.</p>																																

**Table 7. LXT970A Hardware Control Interface Signal Descriptions (Continued)**

Pin# <sup>1</sup>	Pin Name	I/O <sup>2</sup>	Signal Description <sup>3</sup>
13	FDE	I	<p><b>Full-Duplex Enable.</b></p> <p><b>When A/N is enabled,</b> FDE determines full-duplex advertisement capability in combination with MF4 and CFG1.</p> <p><b>When A/N is disabled,</b> FDE directly affects full-duplex operation and determines the value of bit 0.8 (Duplex Mode).</p> <p>When FDE is High, full-duplex is enabled and 0.8 = 1.</p> <p>When FDE is Low, full-duplex is disabled and 0.8 = 0.</p>
14	CFG0	I	<p><b>Configuration Control 0.</b></p> <p><b>When A/N is enabled,</b> Low-to-High transition on CFG0 causes auto-negotiate to re-start and 0.9 = 1.</p> <p><b>When A/N is disabled,</b> this input selects operating speed and directly affects bit 0.13.</p> <p>When CFG0 is High, 100 Mbps is selected and 0.13 = 1. If FX Operation is selected, this input must be tied High.</p> <p>When CFG0 is Low, 10 Mbps is selected and 0.13 = 0.</p>
33	CFG1	I	<p><b>Configuration Control 1.</b></p> <p><b>When A/N is enabled,</b> CFG1 determines operating speed advertisement capabilities in combination with MF4.</p> <p><b>When A/N is disabled,</b> CFG1 enables 10 Mbps link test function and directly affects bit 19.8.</p> <p>When CFG1 is High, 10 Mbps link test is disabled and 19.8 = 1.</p> <p>When CFG1 is Low, 10 Mbps link test is enabled and 19.8 = 0.</p>
<p>1. Pin numbers apply to all package types.</p> <p>2. I/O Column Coding: I = Input, O = Output, OD = Open Drain, A = Analog.</p> <p>3. FDE, CFG0, and CFG1 are affected by the MDDIS input pin. When MDDIS = 0, these inputs determine only the initial state of the function they control. When MDDIS = 1, these inputs provide continuous hardware control over their corresponding functions.</p>			

Table 8 summarizes the relationship between input voltage levels (VMF1, VMF2, VMF3, VMF4) and the configuration function for each of the MF input pins. Each MF pin shows two configuration inputs; configuration function and MII address. The initial setting of the corresponding bit is also shown.

**Table 8. MF Pin Function Settings<sup>1,3</sup>**

Pin	Function	Input Voltage Levels <sup>2</sup>			
		VMF1 (5V)	VMF2 (3.5V)	VMF3 (1.5V)	VMF4 (0V)
MF0	MII Address Bit 0	1	1	0	0
	Auto-Negotiation Sets the initial value of bit 0.12	Disabled (0.12 = 0)	Enabled (0.12 = 1)	Enabled (0.12 = 1)	Disabled (0.12 = 0)
MF1	MII Address Bit 1	1	1	0	0
	Repeater / DTE Mode Sets the initial value of bit 19.13	DTE (19.13 = 0)	Repeater (19.13 = 1)	Repeater (19.13 = 1)	DTE (19.13 = 0)
MF2	MII Address Bit 2	1	1	0	0
	Nibble (4B) / Symbol (5B) Mode Sets the initial value of bit 19.4	Nibble (4B) (19.4 = 0)	Symbol (5B) (19.4 = 1)	Symbol (5B) (19.4 = 1)	Nibble (4B) (19.4 = 0)
MF3	MII Address Bit 3	1	1	0	0
	Scrambler Operation Sets the initial value of bit 19.3	Enabled (19.3 = 0)	Bypassed (19.3 = 1)	Bypassed (19.3 = 1)	Enabled (19.3 = 0)
MF4	MII Address Bit 4	1	1	0	0
	If Auto-Negotiate Enabled via MF0, MF4 works in combination with CFG1 to control operating speed and duplex advertisement capabilities via bits 4.5 - 4.8.	See Table 9 for details.			
	If Auto-Negotiate Disabled via MF0, MF4 selects either TX or FX Mode Sets the initial value of bit 19.2	100TX (19.2 = 0)	100FX (19.2 = 1)	100FX (19.2 = 1)	100TX (19.2 = 0)

1. In MDIO Control Mode, the MF pins control only the initial or default value for the respective register bits. In Manual Control mode, the MF pins provide continuous control of the respective register bits.  
2. Input Voltage Levels (VMF1, VMF2, VMF3, VMF4) for MF pins.  
3. See Table 12 through Table 14 for operating configuration set-up.



**Table 9. LXT970A Auto-Negotiation Operating Speed/Full-Duplex Advertisement Settings**

Desired Configuration	Input Value			MDIO Registers
	MF4	CFG1	FDE	
Advertise all capabilities Ignore FDE	VMF1, VMF4	Low	–	Sets 4.5, 4.6, 4.7 and 4.8 = 1
Advertise 10 Mbps only Advertise FD	VMF1, VMF4	High	High	Sets 4.5 = 1 Sets 4.7 and 4.8 = 0 Sets 4.6 = 1
Advertise 10 Mbps only Do Not Advertise FD			Low	Sets 4.5 = 1 Sets 4.7 and 4.8 = 0 Sets 4.6 = 0
Advertise 100 Mbps only Advertised FD	VMF2, VMF3	Low	High	Sets 4.7 = 1 Sets 4.5 and 4.6 = 0 Sets 4.8 = 1
Advertise 100 Mbps only Do Not Advertise FD			Low	Sets 4.7 = 1 Sets 4.5 and 4.6 = 0 Sets 4.8 = 0
Advertise 10/100 Mbps Advertise FD	VMF2, VMF3	High	High	Sets 4.5 and 4.7 = 1 Sets 4.6 and 4.8 = 1
Advertise 10/100 Mbps Do Not Advertise FD			Low	Sets 4.5 and 4.7 = 1 Sets 4.6 and 4.8 = 0

## 2.0 Functional Description

### 2.1 Introduction

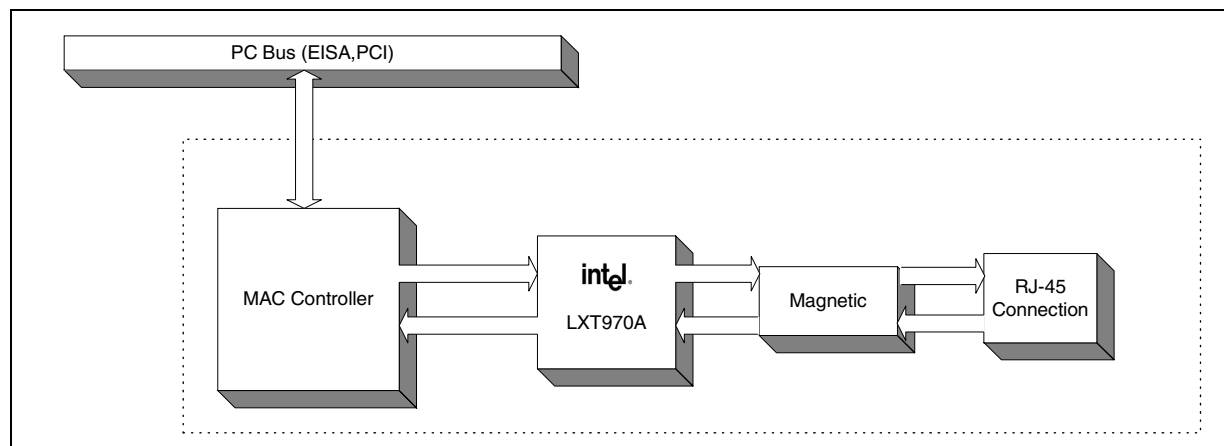
The LXT970A, a new-generation version of the LXT970 10/100 PHY Fast Ethernet Transceiver incorporates several functional enhancements for a more robust Ethernet solution. The LXT970A supports optional MII driver strength capabilities and link-loss criteria selectable via the MDIO register set.

The LXT970A can directly drive a twisted-pair cable for up to 100 meters. The LXT970A also provides a pseudo-ECL interface for driving a 100BASE-FX fiber connection. On power-up, the LXT970A uses auto-negotiation with parallel detection to automatically determine line operating conditions. If the PHY device on the other side of the link supports auto-negotiation, the LXT970A auto-negotiates using Fast Link Pulse (FLP) bursts. If the PHY partner does not support auto-negotiation, the LXT970A automatically detects the presence of either link pulses (10 Mbps PHY) or Idle symbols (100 Mbps PHY) and set its operating speed accordingly. When the line speed selection is made via the parallel detection method, the duplex mode sets to half. The user may later select full-duplex operation by subsequent writes to the appropriate MDIO register. Line operation can also be set using the Hardware Control Interface.

The LXT970A interfaces to a 10/100 MAC through the MII interface. The LXT970A performs all functions of the Physical Coding Sublayer (PCS) and Physical Media Attachment (PMA) sublayer as defined in the IEEE 802.3 100BASE-X specification. It also performs all Physical Media Dependent (PMD) sublayer functions for 100BASE-TX connections. The MII speed is automatically set once line operating conditions have been determined.

See [Figure 3](#) for a typical Network Interface Card (NIC). The LXT970A supports NIC, repeater, and switch applications. It provides half- and full-duplex operation at 100 Mbps and 10 Mbps. The LXT970A supports the 802.3 MDIO register set. Specific bits in the registers are referenced using an “X.Y” notation, where X is the register address (0-6 or 16-20) and Y is the bit number (0:15).

**Figure 3. Network Interface Card (NIC) Application**



## 2.2 Interfaces (Network Media/Protocol Support)

The LXT970A provides the following interfaces:

- A Twisted-Pair Interface which directly supports 100BASE-TX and 10BASE-T applications.
- A pseudo-ECL (PECL) Fiber Interface which supports 100BASE-FX applications through an external fiber transceiver.
- An MII (Media Independent Interface) for interfacing 10/100 Media Access Controllers (MACs).
- A Hardware Control Interface to configure various operating characteristics.

### 2.2.1 Twisted-Pair Interface

The Twisted-Pair Interface directly supports both 100BASE-TX and 10BASE-T applications. The interface is capable of directly driving an RJ-45 interface through magnetics and termination resistors. The interface uses two signal pairs - one for transmit and one for receive. A third output, TREF, connects to the center-tap of the transmit transformer. The same signal pairs, magnetics, and termination resistors are used for both 10 and 100 Mbps operation.

When the LXT970A is operating as a 100 Mbps device, it transmits and receives a 125 Mbps, 5B-encoded, scrambled MLT-3 waveform on this interface. The MLT-3 waveform is continuous. When there is no data to send, “IDLE” symbols are sent and received.

When the LXT970A is operating as a 10 Mbps device, it transmits and receives 10 Mbps Manchester-encoded data. The waveform is not continuous. When there is no data to send, the line is left in an idle state. Link pulses are transmitted periodically to keep the link up.

The LXT970A supports both fixed operation and auto-negotiation with parallel detection on this interface. Fixed operation allows the designer to specify the line speed and duplex mode. With auto-negotiation enabled, the LXT970A automatically determines line speed and duplex state by exchanging capability “pages” with its link partner.

A 4 k $\Omega$  passive load is always present across the twisted-pair inputs. When enabled, the twisted-pair inputs are actively biased to approximately 2.8V.

In applications where the Twisted-Pair Interface is not used, the inputs and outputs may be left unconnected.

The Twisted-Pair Interface is disabled in power down mode, when the Fiber Interface is selected, or when the transmit disconnect (bit 19.0) is set. When the Twisted-Pair Interface is disabled its outputs are tri-stated and inputs are unbiased.

### 2.2.2 Fiber Interface

The pseudo-ECL Fiber Interface is suitable for driving 100BASE-FX applications through an external fiber transceiver. This interface consists of a transmit and receive pair. The LXT970A sends and receives a continuous 125 Mbps, 5B-encoded NRZI stream on this interface. Scrambling and MLT-3 are not used in fiber connections.

There is no industry standard for auto-negotiation on 100BASE-FX. The LXT970A only supports forced operation on the Fiber Interface. The LXT970A does not support 10FL (10 Mbps fiber) applications.

The LXT970A does not support the Signal Detect Function. However, the PMA functions of the LXT970A guarantee that it will detect invalid link conditions and break down a link, even without the Signal Detect function.

In applications where the Fiber Interface is not used, the inputs and outputs may be left unconnected. The Fiber Interface is disabled in power down mode and when the Twisted-Pair Interface is enabled. When the Fiber Interface is disabled its outputs are pulled to ground.

## 2.2.3 MII Interface

The LXT970A implements the Media Independent Interface (MII) as defined in the IEEE 802.3. This interface consists of a data interface and a management interface as shown in [Figure 4](#). The data interface is used for exchanging data between a 10/100 802.3 compliant Ethernet Media Access Controller (MAC) and the LXT970A. The management portion of the interface allows network management functions to control and monitor the LXT970A.

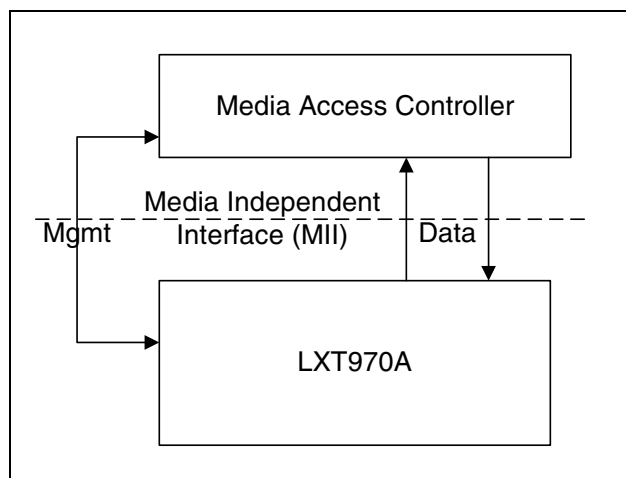
### 2.2.3.1 Selectable Driver Levels

The LXT970A supports two options for driver-strength capabilities that can be selected via bit 17.3.

High-strength (bit 17.3 = 0, default) MII driver level can effectively source 50 - 60 mA. To avoid undershoot or overshoot, series termination resistors are recommended on all output signals when this driver level is selected.

Reduced (bit 17.3 = 1) MII driver level relaxes the pull-down strength of the MII signals by a factor of ten and the pull-up strength by a factor of eight. Termination resistors are not required on the MII outputs when this driver level is selected.

**Figure 4. MII Interface**



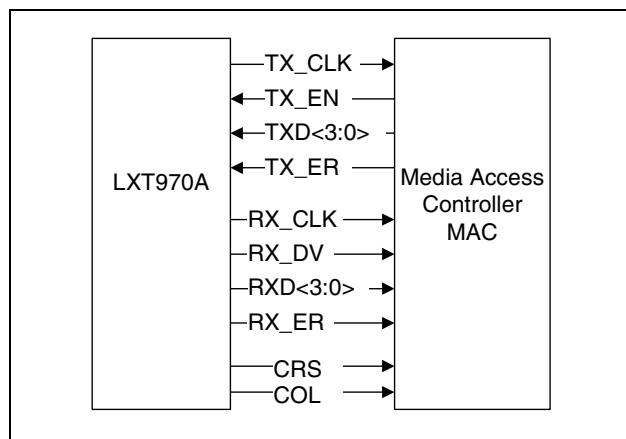
### 2.2.3.2 MII Data Interface

Figure 5 shows the data portion of the MII interface. Separate channels are provided for transmitting data from the MAC to the LXT970A (TXD), and for receiving data (RXD) from the line.

Each channel has its own clock, data bus and control signals. The LXT970A supplies both clock signals as well as separate outputs for carrier sense and collision.

Normal data transmission across the MII is implemented in 4-bit wide nibbles known as 4B Nibble Mode. In 5B Symbol Mode, a fifth bit allows 5-bit symbols to be sent across the MII. Refer to the 100 Mbps Operation section on page 32 for additional information.

Figure 5. MII Data Interface



#### Transmit Clock

The transmit clock (TX\_CLK) is normally generated by the LXT970A from the master 25 MHz reference source at the XI input. However, when the XI input is grounded, TX\_CLK becomes the master reference clock input.

The transmit data and control signals must always be synchronized to TX\_CLK by the MAC. The LXT970A normally samples these signals on the rising edge of TX\_CLK. However, Advanced TX\_CLK Mode is available by setting MII register bit 19.5=1. In this mode, the LXT970A samples the transmit data and control signals on the falling edge of TX\_CLK.

Further details of clock modes can be found in the Operating Requirements section on page 27.

#### Receive Clock

The source of the receive clock varies depending on operating conditions. For 100BASE-TX and 100BASE-FX links, receive clock is continuously recovered from the line. If the link goes down, and auto-negotiation is disabled, receive clock operates off the master input clock (XI or TX\_CLK).

For 10T links, receive clock is recovered from the line while carrier is active and operates from the master input clock when the line is idle.

The LXT970A synchronizes the receive data and control signals to RX\_CLK. The LXT970A always changes these signals on the falling edge of RX\_CLK in order to stabilize the signals at the rising edge of the clock with 10 ns setup and hold times.

### Transmit Enable

The MAC must assert TX\_EN the same time as the first nibble of preamble, and de-assert TX\_EN after the last bit of the packet.

### Receive Data Valid

The LXT970A asserts RX\_DV when it receives a valid packet. Timing changes depend on line operating speed and MII mode:

- For 100TX and 100FX links with the MII in 4B mode, RX\_DV is asserted from the first nibble of preamble to the last nibble of the data packet.
- For 100TX and 100FX links with the MII in 5B mode, RX\_DV is asserted starting with the /K symbol and ending with the /T symbol.
- For 10BT links, the entire preamble is truncated. RX\_DV is asserted with the first nibble of the SFD “5D” and remains asserted until the end of the packet.

### Error Signals

In 100TX mode, when the LXT970A receives an errored symbol from the network, it asserts RX\_ER and drives “1110” (4B) or “01110” (5B) on the RXD pins.

When the MAC asserts TX\_ER, the LXT970A drives “H” symbols out on the line.

There are no error functions in 10T mode.

### Carrier Sense

Carrier sense (CRS) is an asynchronous output. It is always generated when a packet is received from the line and in some modes when a packet is transmitted.

On transmit CRS is asserted on a 10BT, half-duplex link when MII Register 19.11 = 0 (default state), or on any 100 Mbps half-duplex link. Carrier sense is not generated on transmit when the link operation is full-duplex, or with 10BT half-duplex links when 19.11=1.

Usage of CRS for Interframe Gap (IFG) timing is *not* recommended for the following reasons:

- De-assertion time for CRS is slightly longer than assertion time. This causes the IFG interval to appear somewhat shorter to the MAC than it actually is on the wire.
- CRS de-assertion is not aligned with TX\_EN de-assertion on transmit loopbacks in half-duplex mode.

### Operational Loopback

Operational loopback is provided for 10 Mbps half-duplex links when bit 19.11 = 0. Data transmitted by the MAC will be looped back on the receive side of the MII. Operational loopback is not provided for 100 Mbps links, full-duplex links, or when 19.11 = 1.

## Test Loopback

A test loopback function is provided for diagnostic testing of the LXT970A. During test loopback the twisted-pair interface is disabled. Data transmitted by the MAC is internally looped back by the LXT970A and returned to the MAC.

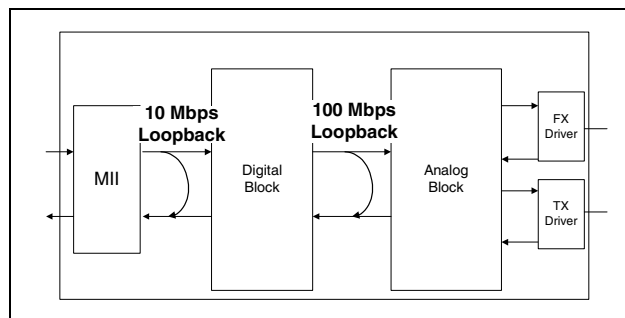
Test loopback is available for 100 Mbps and 10 Mbps operation. Loopback paths for the two modes of operation are shown in Figure 6.

Test loopback is enabled by setting bit 0.14 = 1 (loopback), bit 0.8 = 1 (full-duplex), and bit 0.12 = 0 (disable auto-negotiation). The desired mode of operation for test loopback is set using bits 0.13 and 19.2 as shown in Table 10.

**Table 10. Test Loopback Operation**

Mode of Operation	Bit	
	19.2	0.13
10 Mbps Test Loopback	0	0
100 Mbps Test Loopback	1	1
1. Also set bit 0.14 = 1, bit 0.8 = 1, and 0.12 = 0 to enable Test Loopback.		

**Figure 6. Loopback Paths**



## Collision

The LXT970A asserts its collision signal, asynchronously to any clock, whenever the line state is half-duplex and the transmitter and receiver are active at the same time. Table 11 summarizes the conditions for assertion of carrier sense, collision, and data loopback signals.

**Table 11. Carrier Sense, Loopback, and Collision Conditions**

Speed & Duplex Condition	Carrier Sense	Operational Loopback	Collision
Full-Duplex at 10 Mbps or 100 Mbps Repeater Mode	Receive only	None	None
100 Mbps, Half-Duplex	Transmit or Receive	None	Transmit and Receive
10 Mbps, Half-Duplex, 19.11 = 0	Transmit or Receive	Yes	Transmit and Receive
10 Mbps, Half-Duplex, 19.11 = 1	Receive only	None	Transmit and Receive

### 2.2.3.3 Repeater Mode

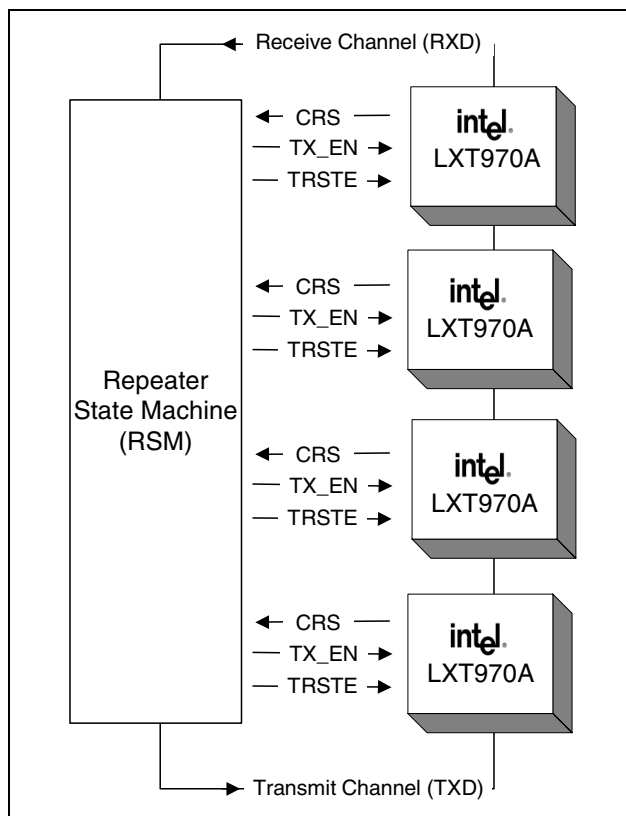
The LXT970A MII normally operates in DTE Mode (19.13 = 0). An alternative operating mode is available for repeater applications (19.13 = 1).

In Repeater Mode, the Carrier Sense (CRS) and Tri-state (TRSTE) signals request and grant bus access. The TRSTE pin controls only the receive channel of the MII (RX\_DV, RX\_ER, RX\_CLK, and RXD).

As shown in Figure 7, a central Repeater State Machine (RSM) is required to perform arbitration and determine which LXT970A drives the MII Data Interface. The RSM is responsible for enforcing collisions, and ensuring packets are not transmitted to the port they were received from. This is accomplished by supplying each LXT970A with individual TX\_EN outputs. Although repeater operation is half-duplex, the LXT970A operates the MII as a full-duplex interface in Repeater Mode. CRS is generated only on receive and Collision (COL) is never generated.

Repeater Mode is normally used with Slave Clock Mode (XI = GND and TX\_CLK is an input).

Figure 7. Repeater Block Diagram



### 2.2.3.4 MII Management Interface

The LXT970A supports the IEEE 802.3 MII Management Interface also known as the Management Data Input/Output (MDIO) Interface. This interface allows upper-layer devices to monitor and control the state of the LXT970A. MDIO interface consists of a physical connection, a specific protocol which runs across the connection, and an internal set of addressable registers. The physical interface consists of a data line (MDIO) and clock line (MDC), a control line (MDDIS)



and an optional interrupt line (MDINT). The LXT970A can signal an interrupt using the MDIO signal as shown in Figure 8. The user can also assign a separate pin for this function. If bit 17.1 = 1, pin 2 (FDS/MDINT) will be used as an MDINT pin.

The protocol allows one controller to communicate with multiple LXT970A devices. The MF pins control one bit each of the 5-bit address setting. Each LXT970A is assigned an MII address between 0 and 31. Details of the MF inputs are shown in Table 7 on page 14. Timing for the MDIO Interface is shown in Table 42 on page 61. Read and write operations are shown in Figure 9 and Figure 10. Operation of this interface is controlled by the MDDIS input pin. When MDDIS is High, the MDIO operates as a read-only interface. When MDDIS is Low, read and write are enabled.

The LXT970A supports twelve 16-bit MDIO registers. Registers 0-6 are required and their functions are specified by the IEEE 802.3 specification. Additional registers are included for expanded functionality. The MDIO Register set for the LXT970A is described in Table 45 through Table 56. Specific bits in the registers are referenced using an “X.Y” notation, where X is the register number (0-6 or 16-20) and Y is the bit number (0-15).

### MII Management Interrupt

The MDINT/FDS pin functions as a management data interrupt on the MII when 17.1 = 1. An active Low on this pin indicates a status change on the LXT970A. The interrupt is activated when changes are made to the following conditions:

- Link Status
- Duplex Status

This interrupt is cleared by sequentially reading Register 1 and Register 18.

Figure 8. MDIO Interrupt Signaling

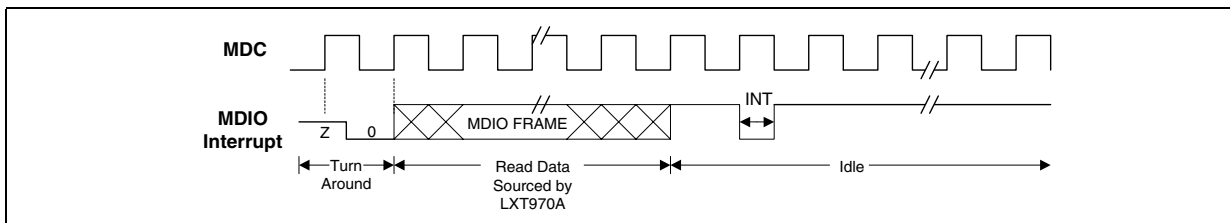


Figure 9. Management Interface - Read Frame Structure

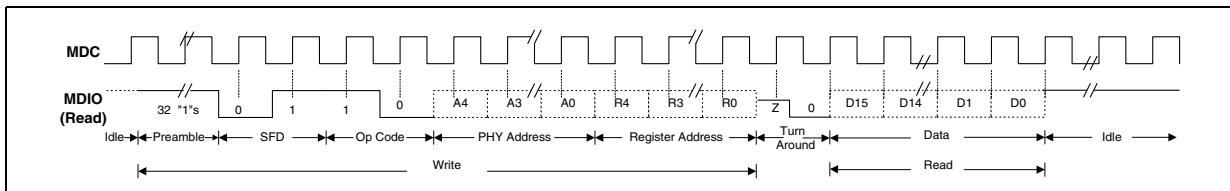
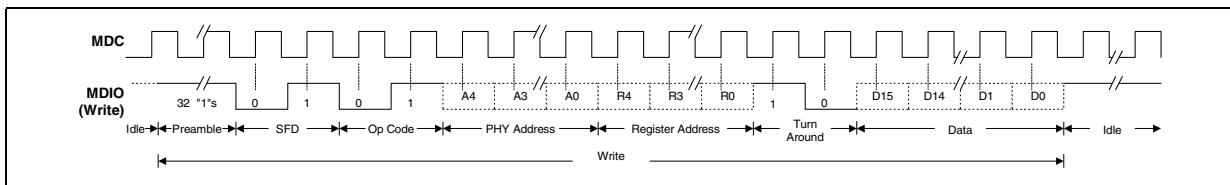


Figure 10. Management Interface - Write Frame Structure



## 2.2.4 Hardware Control Interface

The Hardware Control Interface consists of MF<4:0>, CFG <1:0> and FDE input pins. This interface is used to configure operating characteristics of the LXT970A and to determine the MDIO Address. When MDDIS is Low, the Hardware Control Interface provides initial values for the MDIO registers, and then passes control to the MDIO Interface.

When MDDIS is High, the Hardware Control Interface provides continuous control over the LXT970A. Individual chip addressing allows multiple LXT970A devices to share the MII in either mode. [Table 12](#), [Table 13](#) and [Table 14](#) show how to set up the desired operating configurations using the Hardware Control Interface.

**Table 12. Configuring the LXT970A via Hardware Control**

Desired Configuration	Pin Name	Voltage Level	MDIO Registers
Auto-Negotiation Enabled <sup>1</sup>	MF0	VMF2, VMF3	0.12 = 1
Auto-Negotiation Disabled <sup>2</sup>	MF0	VMF1, VMF4	0.12 = 0
Normal Operation (DTE Mode, Nibble Mode, Scrambler Enabled)	MF1 MF2 MF3	VMF1, VMF4	19.13 = 0 19.4 = 0 19.3 = 0
Repeater Mode	MF1	VMF2, VMF3	19.13 = 1
Symbol Mode	MF2	VMF2, VMF3	19.4 = 1
Scrambler Bypass Mode	MF3	VMF2, VMF3	19.3 = 1
1. Refer to <a href="#">Table 13</a> for Hardware Control Interface functions available when auto-negotiation is enabled. 2. Refer to <a href="#">Table 14</a> for Hardware Control Interface functions available when auto-negotiation is disabled.			

**Table 13. LXT970A Operating Configurations / Auto-Negotiation Enabled**

Desired Configuration <sup>1,2</sup>	Input Value			MDIO Registers			
	MF4	CFG1	FDE	4.5	4.6	4.7	4.8
Advertise All	VMF1, VMF4	Low	Ignore	1	1	1	1
Advertise 100 HD	VMF2, VMF3	Low	Low	0	0	1	0
Advertise 100 HD/FD	VMF2, VMF3	Low	High	0	0	1	1
Advertise 10 HD	VMF1, VMF4	High	Low	1	0	0	0
Advertise 10 HD/FD	VMF1, VMF4	High	High	1	1	0	0
Advertise 10/100 HD	VMF2, VMF3	High	Low	1	0	1	0
Advertise 10/100 HD/FD	VMF2, VMF3	High	High	1	1	1	1
1. Refer to <a href="#">Table 12</a> for basic configurations. 2. Refer to <a href="#">Table 14</a> for Hardware Control Interface functions available when auto-negotiation is disabled.							

**Table 14. LXT970A Operating Configurations / Auto-Negotiation Disabled**

Desired Configuration <sup>1,2</sup>	Pin Name	Input Value	MDIO Registers
Force 100FX Operation	MF4	VMF2, VMF3	19.2 = 1
	CFG0	High	0.13 = 1
	MF3	VMF1, VMF4	19.3 = 0
Force 100TX Operation	MF4	VMF1, VMF4	19.2 = 0
	CFG0	High	0.13 = 1
Force 10T Operation	MF4	VMF1, VMF4	19.2 = 0
	CFG0	Low	0.13 = 0
Force Full-Duplex Operation	FDE	High	0.8 = 1
Disable 10T Link Test	CFG1	High	19.8 = 1
Enable 10T Link Test	CFG1	Low	19.8 = 0

1. Refer to [Table 12](#) for basic configurations.  
 2. Refer to [Table 13](#) for Hardware Control Interface functions available when auto-negotiation is enabled.

## 2.3 Operating Requirements

### 2.3.1 Power Supply Requirements

The LXT970A requires a 5V power supply. Power should be supplied from a single source to the VCC, VCCA, VCCT, and VCCR power pins. A ground return path must be provided to the GND, GNDA, GNDT, and GNDR pins. As a matter of practice, the power supply should be as clean as possible. Filtering is recommended for the analog power pins (VCCA, VCCT, VCCR) at least in the initial design. Consult the Design Recommendations section on [page 42](#) for details. A decoupling capacitor is recommended between each VCC pin and its respective GND, placed as close to the device as possible.

#### 2.3.1.1 Optional MII Power Supply

The MII may be powered by either a 3.3V or 5V source via the VCCIO pin. To avoid power sequencing issues, the VCCIO pin should be supplied from the same source used to power the other side of the MII interface. When VCCIO is supplied with 3.3V, the MII inputs are not tolerant of 5V signal levels. The MDIO and MDC pins must be operated at the same voltage as the rest of the MII interface.

### 2.3.2 Reference Clock Requirements

The LXT970A requires a continuous, stable reference clock. There are two clock modes, Master Clock Mode and Slave Clock Mode. Depending on the mode of operation, the clock may be supplied at the crystal oscillator pins (XI, XO), or at the Transmit Clock pin (TX\_CLK). See [Table 25 on page 48](#) for input clock requirements.

### 2.3.2.1 Master Clock Mode

The Master Clock mode is recommended in most Network Interface Cards (NICs) and switch applications. In Master Clock mode the LXT970A is the master clock source for data transmission, and requires a 25 MHz reference signal at XI. The reference clock may be supplied either from a crystal oscillator or from a digital clock circuit with the following specifications:

- A frequency of 25 MHz +/-100 ppm
- 40/60 duty cycle or better
- CMOS voltage levels ( $V_{OH} > 3.2V$ ).

In Master Clock Mode, TX\_CLK is an output and the LXT970A automatically sets the speed of TX\_CLK to match line conditions. If the line is operating at 100 Mbps, TX\_CLK will be set to 25 MHz. If the line is operating at 10 Mbps, TX\_CLK will be set to 2.5 MHz.

#### External Crystal

A crystal is typically used in NIC applications. If using a crystal oscillator, it should be fundamental-mode and parallel-resonant, with a drive capacity of at least 7 pF. Attach between the XI and XO pins. Add compensating capacitors between each leg and digital ground. The correct value to use is the nominal drive capacity of the crystal minus 3 pF (input capacitance of the XI and XO pins). One crystal can be used to drive two LXT970As. Connect the XO pin of only one 970 to one side of the crystal, and connect the other side to both XI pins. Calculate compensation accordingly.

#### External Clock

An external 25 MHz clock source, rather than a crystal, is frequently used in switch applications. When a clock is supplied to XI, XO is left open.

#### TX Clock Advance Mode

When operating in Master Clock mode under MDIO Control, the user can advance the transmit clock relative to TXD<4:0> and TX\_ER. When TX\_CLK Advance is selected, the LXT970A clocks TXD data in on the falling edge of TX\_CLK, instead of the rising edge.

This mode provides an increase in timing margins of TXD, relative to TX\_CLK. TX\_CLK Advance is enabled when bit 19.5 = 1.

### 2.3.2.2 Slave Clock Mode

The Slave Clock mode is typically used for repeater applications, where the LXT970A is not the master clock source for data transmissions. In Slave Clock Mode, a digital clock circuit with TTL levels ( $V_{OH} > 2.4V$ ) must supply the TX\_CLK input. The frequency may be either 25 MHz or 2.5 MHz. Either frequency can be used during auto-negotiation. However, once link is established, the supplied frequency must match the link state. A 25 MHz clock must be supplied for correct operation of a 100TX or 100FX link, and a 2.5 MHz clock must be supplied for correct operation of a 10BT link. In Slave Clock mode, XI is connected to ground and XO is left open.

### 2.3.3 Bias Circuit Requirements

A 22.1 kΩ 1% resistor must be tied between the RBIAS input and ground. High-speed signals should be kept away from this resistor. Follow the layout recommendations given in the Design Recommendations section on page 42.

## 2.4 Initialization

At power-up or reset, the LXT970A performs the initialization sequence shown in Figure 11.

### 2.4.1 Control Mode Selection

Mode control selection is provided via the MDDIS pin as shown in Table 15. When pin 15 (MDDIS) is High, the LXT970A enters Manual Control Mode. When MDDIS is Low, MDIO Control Mode is enabled.

#### 2.4.1.1 MDIO Control Mode

In the MDIO Control mode, the LXT970A reads the Hardware Control Interface pins to set the initial (default) values of the MDIO registers. Once the initial values are set, bit control reverts to the MDIO interface.

#### 2.4.1.2 Manual Control Mode

In the Manual Control Mode, LXT970A disables direct write operations to the MDIO registers via the MDIO Interface. The LXT970A continuously monitors the Hardware Control Interface pins and updates the MDIO registers accordingly.

**Table 15. Mode Control Settings**

Mode	MDDIS	RESET	PWRDWN
MDIO Control	Low	High	Low
Manual Control	High	High	Low
Reset	-	Low	Low
Power Down	-	-	High

### 2.4.2 Link Configuration

When the LXT970A is first powered on, reset, or encounters a link failure state, it must determine the line speed and operating conditions to use for the network link. The LXT970A first checks the MDIO registers (initialized via the Hardware Control Interface or MDIO Interface) for operating instructions. Both control modes allow the user to either force the LXT970A to a specific configuration or allow it to auto-negotiate the optimum configuration with its link partner.

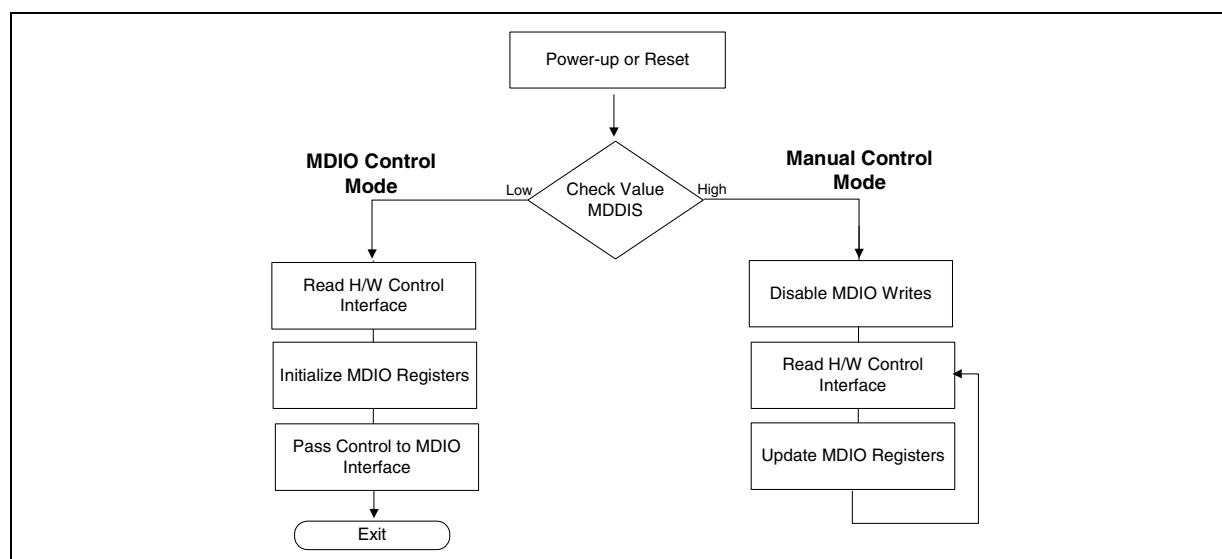
### 2.4.2.1 Manual Configuration

The LXT970A can be manually configured to force operation in the following modes:

- 100FX, full-duplex
- 100FX, half-duplex
- 100TX, full-duplex
- 100TX, half-duplex
- 10T, full-duplex
- 10T, half-duplex

Refer to [Table 12](#) through [Table 14](#) in the Hardware Control Interface discussion for specific manual configuration settings.

**Figure 11. LXT970A Initialization Sequence**



### 2.4.2.2 Auto-Negotiation/Parallel Detection

With auto-negotiation enabled at power-up or reset, the LXT970A attempts to establish link operating conditions with its partner by sending Fast Link Pulse (FLP) bursts.

If the link partner is also capable of auto-negotiation, the two devices exchange FLP bursts to communicate their capabilities to each other. Each side finds the highest common capabilities that both sides can support and then begins operating in that mode.

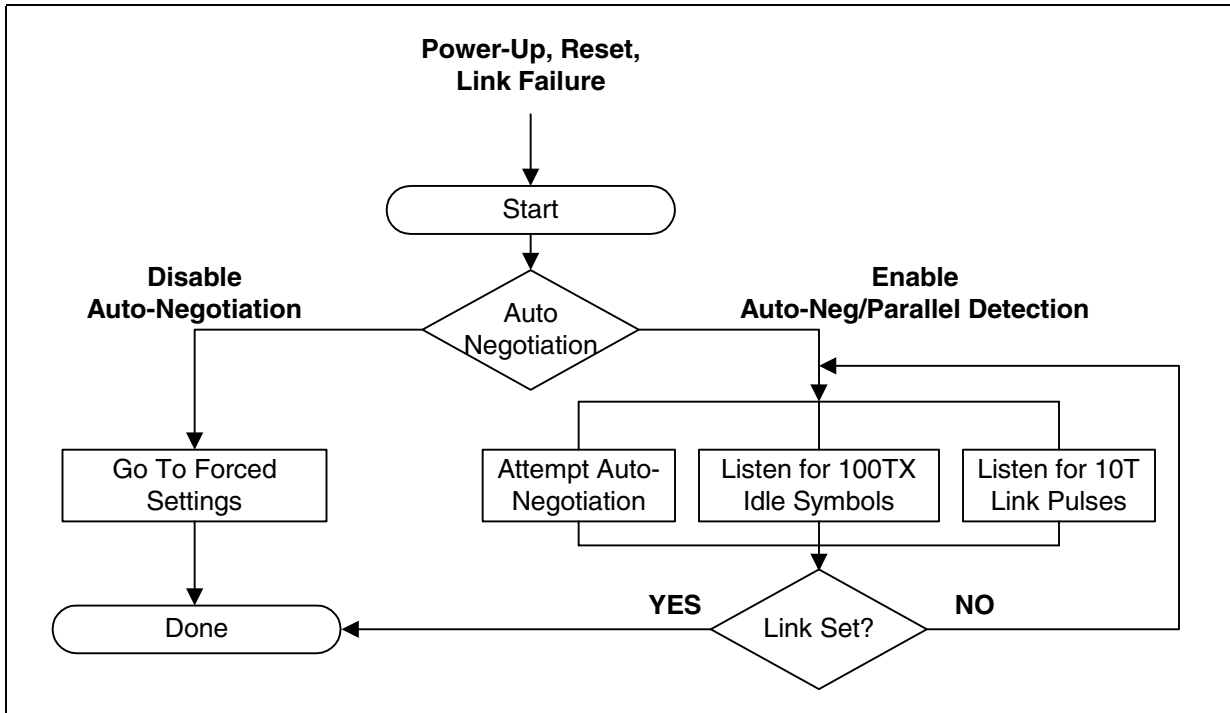
If the link partner is not capable of auto-negotiation, it transmits either 10 Mbps Normal Link Pulses (NLP) or 100 Mbps Idle symbols. When the LXT970A detects either NLPs or Idle symbols, it automatically configures to match the detected operating speed in half-duplex mode. This ability allows the LXT970A to communicate with devices that do not support auto-negotiation.

## Controlling Auto-Negotiation

When auto-negotiation is controlled by software, the following steps are recommended:

- After a reset or power-up (initial or from power down mode), the power down recovery time (refer to [Table 43 on page 62](#)) must be exhausted before proceeding.
- Set MDIO Register 4 advertisement capabilities before setting MDIO bit 0.12 = 1 to enable auto-negotiation.

Figure 12. Auto-Negotiation Operation



## 2.5 Monitoring Operational Status

### 2.5.1 Monitoring Status via MII Registers

The Chip Status Register ([Table 56 on page 72](#)) provides a convenient indication of several status conditions:

- Bit 20.13 is set to 1 once the link is established.
- Bits 20.11 and 20.12 indicate the link speed and duplex condition respectively.
- Bits 20.9 and 20.8 indicate the progress and status of auto-negotiation.

Refer to the Register Definition section on [page 63](#) for additional details on specific registers.

## 2.5.2 Monitoring Status via Indicator Pins

The LEDS, LEDR, LEDT, LEDL, and LEDC pins are CMOS digital outputs that drive LEDs. These pins along with the FDS/MDINT output, can also be used to externally monitor the status of the LXT970A. The following notes apply to the FDS/MDINT and LED pins:

- LEDR, LEDT and LEDC pulse Low to indicate receive, transmit, and collision activity respectively. When the LXT970A asserts these signals, it automatically extends them for 100 ms.
- LEDL indicates link status and LEDS indicates link speed. LEDL and LEDS are active Low.
- In its default state (17.1 = 0), the MDINT/FDS output indicates duplex condition. FDS is active High.

Table 16 shows the state of the LXT970A according to the status of LEDL, LEDS, and FDS pins.

**Table 16. LXT970A Status using FDS/LED Pins**

LXT970A State	Pin Status		
	LEDL	LEDS	FDS
During Power-up	High	High	Low
During Auto-Negotiation or Link Failure	High	High	Low
Link-up; 100 Mbps; full-duplex	Low	Low	High
Link-up; 100 Mbps; half-duplex	Low	Low	Low
Link-up; 10 Mbps; full-duplex	Low	High	High
Link-up; 10 Mbps; half-duplex	Low	High	Low

## 2.6 100BASE-X Operation

### 2.6.1 100BASE-X MII Operations

The MAC exchanges data with the LXT970A over the MII interface. The LXT970A converts the digital data from the MAC into an analog waveform that is transmitted to the network via the copper (TX) or fiber (FX) interface. The LXT970A converts analog signals received from the network into a digital format and sends them to the MAC via the MII. Refer to the MII interface discussion on [page 20](#) for details on MII control and data signals.

The 100BASE-X protocol specifies the use of a 5-bit symbol code on the network media. However, data is normally transmitted across the MII interface in 4-bit nibbles. The LXT970A incorporates a 4B/5B encoder/decoder circuit that translates 4-bit nibbles from the MII into 5-bit symbols for the 100BASE-X connection, and translates 5-bit symbols from the 100BASE-X connection into 4-bit nibbles for the MII. [Figure 14](#) shows the data conversion flow from nibbles to symbols. [Table 17](#) shows 4B/5B symbol coding (not all symbols are valid).

In some applications it may be desirable to bypass the 4B/5B encoder/decoder circuit, and operate the MII as a 5-bit symbol mode interface. The LXT970A provides additional lines in both the receive and transmit channels (RXD4 & TXD4) to accommodate MACs that accept 5-bit symbols.



## 2.6.2 100BASE-X Network Operations

During 100BASE-X operation, the LXT970A transmits and receives 5-bit symbols across the network link. Figure 13 shows the structure of a standard frame packet. When the MAC is not actively transmitting data, the LXT970A sends out Idle symbols on the line.

In 100TX mode, the LXT970A scrambles the data using a polynomial key, and transmits it to the network using MLT-3 line code. The MLT-3 signals received from the network are descrambled and decoded by the LXT970A, and sent across the MII to the MAC.

In 100FX mode, the LXT970A transmits and receives NRZI signals across the pseudo-ECL interface. An external 100FX transceiver module is required to complete the fiber connection. To enable 100FX operation, auto-negotiation must be disabled and FX selected.

Figure 13. 100BASE-TX Frame Structure

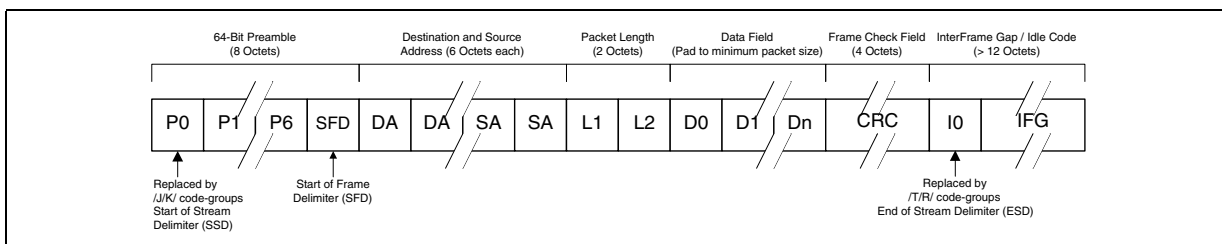


Figure 14. 100BASE-TX Data Flow

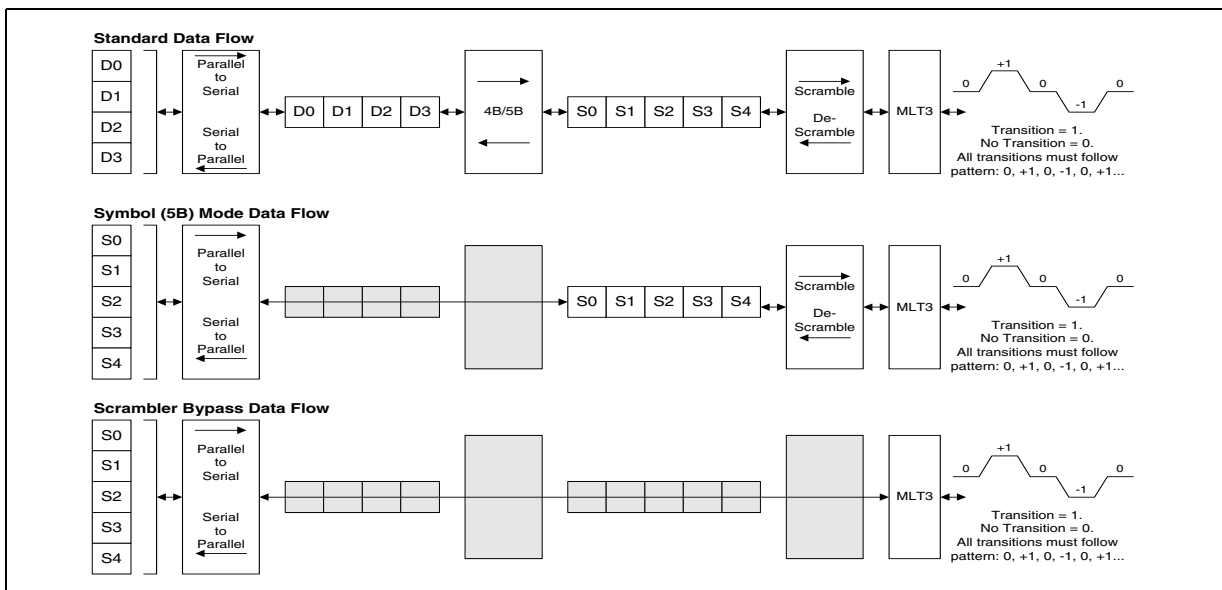


Table 17. 4B/5B Coding

Code Type	4B Code 3 2 1 0	Name	5B Symbol 4 3 2 1 0	Interpretation
	0 0 0 0	0	1 1 1 1 0	Data 0
	0 0 0 1	1	0 1 0 0 1	Data 1
	0 0 1 0	2	1 0 1 0 0	Data 2
	0 0 1 1	3	1 0 1 0 1	Data 3
	0 1 0 0	4	0 1 0 1 0	Data 4
	0 1 0 1	5	0 1 0 1 1	Data 5
	0 1 1 0	6	0 1 1 1 0	Data 6
DATA	0 1 1 1	7	0 1 1 1 1	Data 7
	1 0 0 0	8	1 0 0 1 0	Data 8
	1 0 0 1	9	1 0 0 1 1	Data 9
	1 0 1 0	A	1 0 1 1 0	Data A
	1 0 1 1	B	1 0 1 1 1	Data B
	1 1 0 0	C	1 1 0 1 0	Data C
	1 1 0 1	D	1 1 0 1 1	Data D
	1 1 1 0	E	1 1 1 0 0	Data E
	1 1 1 1	F	1 1 1 0 1	Data F
IDLE	undefined	I <sup>1</sup>	1 1 1 1 1	Idle. Used as inter-stream fill code
	0 1 0 1	J <sup>2</sup>	1 1 0 0 0	Start-of-Stream Delimiter (SSD), part 1 of 2
CONTROL	0 1 0 1	K <sup>2</sup>	1 0 0 0 1	Start-of-Stream Delimiter (SSD), part 2 of 2
	undefined	T <sup>3</sup>	0 1 1 0 1	End-of-Stream Delimiter (ESD), part 1 of 2
	undefined	R <sup>3</sup>	0 0 1 1 1	End-of-Stream Delimiter (ESD), part 2 of 2
	undefined	H <sup>4</sup>	0 0 1 0 0	Transmit Error. Used to force signaling errors
	undefined	Invalid	0 0 0 0 0	Invalid
	undefined	Invalid	0 0 0 0 1	Invalid
	undefined	Invalid	0 0 0 1 0	Invalid
INVALID	undefined	Invalid	0 0 0 1 1	Invalid
	undefined	Invalid	0 0 1 0 1	Invalid
	undefined	Invalid	0 0 1 1 0	Invalid
	undefined	Invalid	0 1 0 0 0	Invalid
	undefined	Invalid	0 1 1 0 0	Invalid
	undefined	Invalid	1 0 0 0 0	Invalid
	undefined	Invalid	1 1 0 0 1	Invalid

1. The /I/ (Idle) code-group is sent continuously between frames.  
2. The /J/ and /K/ (SSD) code-groups are always sent in pairs; /K/ follows /J/.  
3. The /T/ and /R/ (ESD) code-groups are always sent in pairs; /R/ follows /T/.  
4. An /H/ (Error) code-group is used to signal an error condition.

## 2.7 10BASE-T Operation

### 2.7.1 10BASE-T MII Operations

The MAC transmits data to the LXT970A over the MII interface. The LXT970A converts the digital data from the MAC into an analog waveform that is transmitted to the network via the copper interface. The LXT970A converts analog signals received from the network into a digital format suitable for the MAC. The LXT970A sends the received data to the MAC via the MII. The 5-bit symbol code is not used for 10BASE-T operation. The MII operates only as a 4-bit interface and the RXD4 & TXD4 lines are not used.

### 2.7.2 10BASE-T Network Operations

During 10BASE-T operation, the LXT970A transmits and receives Manchester-encoded data across the network link. When the MAC is not actively transmitting data, the LXT970A sends out link pulses on the line.

In 10BASE-T mode, the polynomial scrambler/descrambler is inactive. Manchester-encoded signals received from the network are decoded by the LXT970A and sent across the MII to the MAC.

The LXT970A does not support fiber connections at 10 Mbps.

## 2.8 Protocol Sublayer Operations

With respect to the 7-layer communications model, the LXT970A is a Physical Layer 1 (PHY) device. The LXT970A implements the Physical Coding Sublayer (PCS), Physical Medium Attachment (PMA), and Physical Medium Dependent (PMD) sublayers of the reference model defined by the IEEE 802.3u specification. The following paragraphs discuss LXT970A operation from the reference model point of view.

### 2.8.1 PCS Sublayer

The Physical Coding Sublayer (PCS) provides the MII interface, as well as the 4B/5B encoding/decoding function when the MII is operating as a 4B interface.

For 100TX and 100FX operation, the PCS layer provides IDLE symbols to the PMD-layer line driver as long as TX\_EN is de-asserted.

When the MII is operating in 5B mode, the encoder/decoder function is disabled, and symbol data presented at the MII is transparently passed downstream, and vice versa.

For 10T operation, the PCS layer merely provides a bus interface and serialization/de-serialization function. 10T operation does not use the 4B/5B encoder, and is not supported when the MII is in 5B mode.

### 2.8.1.1 100X Preamble Handling

When the MAC asserts TX\_EN, the PCS substitutes a /J/K symbol pair, also known as the Start of Stream Delimiter or SSD, for the first two nibbles received across the MII. The PCS layer continues to encode the remaining MII data, following Table 17, until TX\_EN is de-asserted. It then returns to supplying IDLE symbols to the line driver.

In the receive direction, the PCS layer performs the opposite function, substituting two preamble nibbles for the SSD.

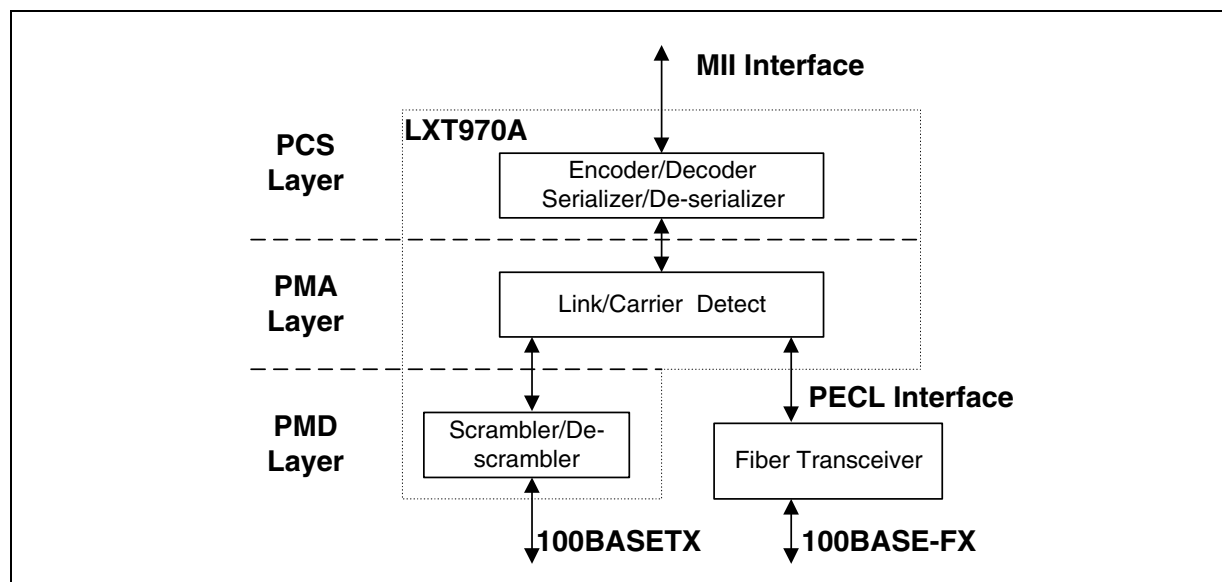
### 2.8.1.2 10T Preamble Handling

In 10BASE-T Mode, the LXT970A strips the entire preamble off of received packets. CRS is asserted a few bit times after carrier is detected. RX\_DV is held for the duration of the preamble.

When RX\_DV is asserted, the very first two nibbles driven by the LXT970A are the SFD “5D” hex followed by the body of the packet. In 10T loopback

the LXT970A loops back whatever the MAC transmits to it, including the preamble.

Figure 15. LXT970A Protocol Sublayers



### 2.8.1.3 Data Errors (100X Only)

Figure 16 shows normal reception. When the LXT970A receives invalid symbols from the line, it asserts RX\_ER, as shown in Figure 17.

### 2.8.1.4 Collision Indication

Figure 18 shows normal transmission. The LXT970A detects a collision if transmit and receive are active at the same time. As shown in Figure 19 upon detection of a collision, the COL output is asserted and remains asserted for the duration of the collision.

Figure 16. 100BASE-TX Reception with No Errors

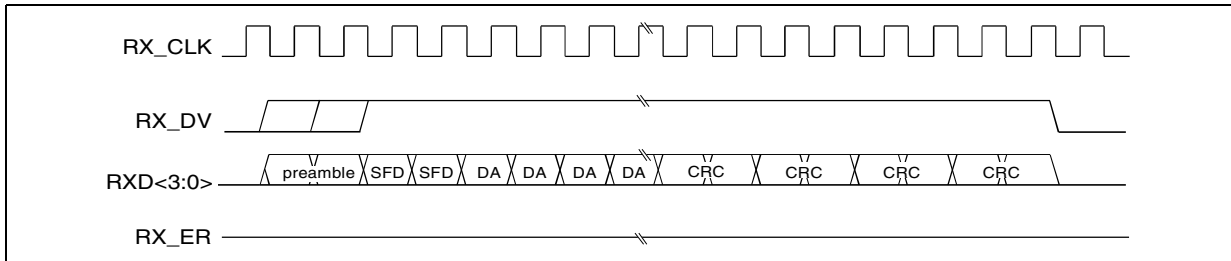


Figure 17. 00BASE-TX Reception with Invalid Symbol

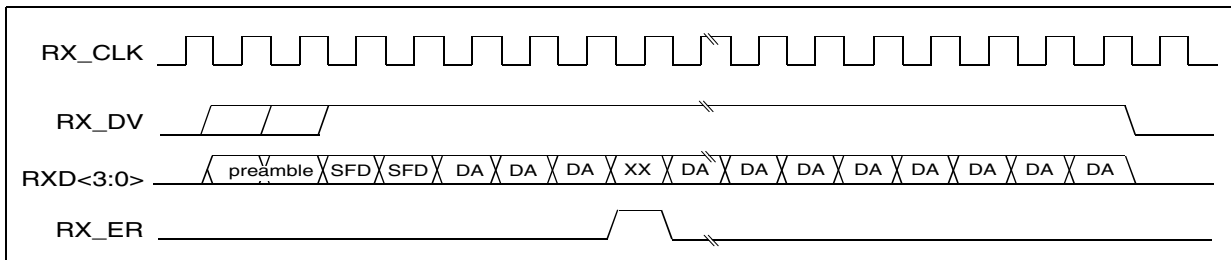


Figure 18. 00BASE-TX Transmission with No Errors

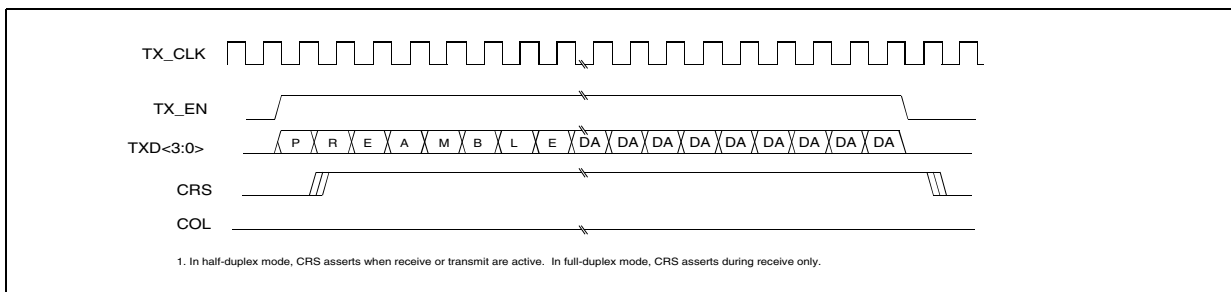
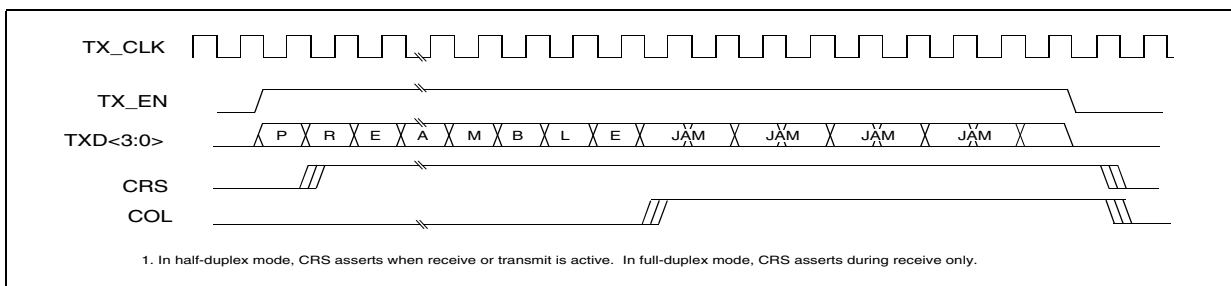


Figure 19. 00BASE-TX Transmission with Collision



### 2.8.1.5 SQE (10T Only)

When the SQE (heartbeat) function is enabled, the LXT970A asserts its COL output for 5-15 BT after each packet. By default, the SQE function is disabled on the LXT970A. To enable SQE, set bit 19.10 = 1. See [Figure 30 on page 59](#) for SQE timing parameters.

### 2.8.1.6 Jabber (10T Only)

If the MAC transmission exceeds the jabber timer, the LXT970A disables the transmit and loopback functions and asserts the COL pin. The LXT970A automatically exits jabber mode after 250-750 ms. This function can be disabled by setting bit 19.9 = 1. See [Figure 31 on page 59](#) for Jabber timing parameters.

## 2.8.2 PMA Layer

The Physical Medium Attachment (PMA) layer provides link and carrier status functions.

### 2.8.2.1 100TX Link Options

The LXT970A uses standard symbol error rate criteria to establish a link and has two options for 100TX and 100FX applications to break down a link:

- Standard (symbol error rate).
- Enhanced (scrambler lock).

Standard link criteria (17.2 = 0 default), takes down the link when the Bit Error Rate (BER) exceeds the allowable standards. If the link goes down and auto-negotiation is enabled, the device automatically restarts the auto-negotiation process. Otherwise the device continues to monitor the line for a valid link. With this option both link up and link loss are based on symbol error rate.

Enhanced link-loss criteria (17.2 = 1) works independent of symbol error rate. The loss of scrambler lock for more than 1 - 2 msec brings the link down. Enhanced link-loss criteria is not available in 5B mode.

### 2.8.2.2 10T Link Test

For 10T operation, link is detected via Normal Link Pulses (NLPs). In 10T mode, the LXT970A always transmits link pulses. If the Link Test Function is enabled, it monitors the connection for link pulses. Once it detects 2 to 7 link pulses, data transmission will be enabled and remains enabled as long as the link pulses or data transmission continues. Link failure occurs if Link Test is enabled and link pulses are no longer received. When this condition occurs, the LXT970A returns to the auto-negotiation phase if auto-negotiation is enabled. If the Link Test function is disabled, the LXT970A transmits to the connection regardless of detected link pulses. The Link Test function can be disabled by setting bit 19.8 = 1 or by setting MF0 to disable auto-negotiation and setting CFG1 input High.

### 2.8.2.3 Carrier Sense (CRS)

For 100TX and 100FX links, a start-of-stream delimiter or /J/K symbol pair causes assertion of carrier sense (CRS). An end-of-stream delimiter, or /T/R symbol pair causes deassertion of CRS. The PMA layer also de-asserts CRS if IDLE symbols are received without /T/R, however, in this case RX\_ER asserts for one clock cycle when CRS is de-asserted.

For 10T links, CRS assertion is based on reception of valid preamble, and de-assertion on reception of an end-of-frame (EOF) marker.

The PMA layer in the LXT970A does not support the optional Far-End-Fault function.

### 2.8.3 Twisted-Pair PMD Layer

The twisted-pair Physical Medium Dependent (PMD) layer provides the signal scrambling and descrambling, line coding and decoding (MLT-3 for 100TX, Manchester for 10T), as well as receiving, polarity correction, and baseline wander correction functions.

#### 2.8.3.1 Scrambler/Descrambler (100TX Only)

The scrambler spreads the signal power spectrum and reduces EMI and baseline wander. Scrambling is done with an 11-bit, non-data-dependent polynomial. The receiver automatically decodes the polynomial whenever IDLE symbols are received.

The LXT970A provides a scrambler-bypass mode for testing purposes. Bypassing the scrambler causes the PCS-layer encoder to be bypassed as well, and the MII to operate in 5B mode.

#### 2.8.3.2 Baseline Wander Correction (100TX Only)

The LXT970A provides a baseline wander correction function that makes the device robust under all network operating conditions. The MLT3 coding scheme used in 100BASE-TX is by definition “unbalanced”, which means the average DC value of the signal voltage can “wander” significantly over short time intervals (tenths of seconds). In less robust PHY devices, this wander can cause receiver errors, particularly at long line lengths (100 meters). The exact characteristics of the wander are completely data dependent. The LXT970A baseline wander correction circuitry allows error-free data recovery, even at long line lengths.

#### 2.8.3.3 Polarity Correction

The LXT970A automatically detects and corrects for the condition where the receive signal (TPIP/N) is inverted. Reversed polarity is detected if eight inverted link pulses, or four inverted end-of-frame markers, are received consecutively. If link pulses or data are not received for 96-128 ms, the polarity state is reset to a non-inverted state.

### 2.8.4 Fiber PMD Layer

The LXT970A provides a pseudo-ECL interface for connection to an external fiber optic transceiver. (The external transceiver provides the PMD function for fiber media.) The LXT970A uses an NRZI format for the fiber interface. The fiber interface operates at 100 Mbps and is intended for 100FX applications. It does not support 10FL applications. The fiber interface does not support the signal detect function supplied by most fiber optic transceivers. However, the link detection function in the PMA layer quickly detects faults in the fiber link.

## 2.8.5 Additional Operating Features

## 2.8.6 Low-Voltage-Fault Detect

The LXT970A low-voltage fault detection function prevents transmission of invalid symbols when VCC goes below normal operating levels. If this condition occurs, the LXT970A disables the transmit outputs and sets 20.2 = 1. Operation is automatically restored when VCC returns to normal. [Table 26 on page 49](#) indicates voltage levels that detect and clear the low-voltage fault condition.

## 2.8.7 Power Down Mode

The LXT970A goes into power down mode when PWRDWN is asserted. In this mode, all functions are disabled except the MDIO. The power supply current is significantly reduced. This mode can be used for energy-efficient applications or for redundant applications where there are two devices and one is left as a stand-by. When the LXT970A is returned to normal operation, configuration settings of the MDIO registers are maintained. Refer to [Table 22 on page 47](#) for power down specifications.

## 2.8.8 Software Reset

Software reset causes all state machines to be reset and the LXT970A to re-configure itself to the settings of the hardware configuration pins (MF<4:0>, FDE, CFG0, CFG1).

The LXT970A is reset via software (0.15 = 1). This bit setting is maintained while the reset operation is running. When the reset operation is complete, the LXT70 resets bit 0.15 = 0.

## 2.8.9 Hardware Reset

Hardware reset causes the LXT970A to reset all of its functions and re-configure itself based on the hardware configuration pin settings.

The LXT970A performs a hardware reset when a Low signal is detected at the RESET pin. All operational conditions must be met for this function to operate. VCC must be above 4.75V and stable, and the RESET signal must be asserted for two cycles of the master input clock. The LXT970A continues to drive an internal reset for a period of 300  $\mu$ s after the RESET signal is de-asserted to ensure that all functions start up smoothly. MII registers are not available and the MDIO output is tri-stated during the internal reset period. Refer to [Table 43 on page 62](#) for hardware reset specifications.



## 3.0 Application Information

### 3.1 Magnetics Information

The LXT970A requires a 1:1 ratio for both the receive and the transmit transformers. Refer to [Table 18](#) for magnetics requirements.

A cross-reference list of magnetic manufacturers and part numbers is available in *Application Note 73, Magnetic Manufacturers*, which can be found on the Intel web site ([developer.intel.com/design/network/](http://developer.intel.com/design/network/)). Designers must test and evaluate all components for suitability in their applications.

**Table 18. Magnetics Requirements**

Parameter	Min	Nom	Max	Units	Test Condition
Rx and Tx Turns Ratio	–	1:1	–	–	
Insertion Loss	0.0	–	1.1	dB	
Primary Inductance	350	–	–	μH	
Transformer Isolation	–	2	–	kV	
Differential to common mode rejection	–	–	-40	dB	.1 to 60 MHz
	–	–	-35	dB	60 to 100 MHz
Return Loss	–	–	-17	dB	.1 to 60 MHz
	–	–	-15	dB	60 to 100 MHz
Rise Time	2.0	–	3.5	ns	10% to 90%

### 3.2 Crystal Information

The LXT970A requires a parallel-resonant fundamental-mode crystal that meet specifications as shown in [Table 19](#). XI and XO input capacitance and voltage requirements are provided in [Table 25](#) on page 48.

Crystals are available from various manufacturers. Designers should test and validate all crystals before committing to a specific component. Based on limited evaluation, [Table 20](#) provides suitable crystal component manufacturers.

**Table 19. Crystal Requirements**

Parameter	Min	Nom	Max	Units	Test Condition
Frequency	–	25.0	–	MHz	
Frequency Stability	–	–	±100	ppm	-40 - 85°C

1. See [Table 25](#) (Clock Characteristics) for additional device specifications.

**Table 20. Crystal Component Manufacturers**

Component	Manufacturer	Part Number
Crystal	Epson America	MA-505-25.000M
	Caliber Electronics	AA18C1-25.000MHz

## 3.3 Design Recommendations

The LXT970A is designed in accordance with IEEE requirements and provides outstanding receive Bit Error Ratio (BER) and long-line-length performance. Lab tests show that the LXT970A performs well beyond the required distance of 100 meters. Ensuring maximum performance from the LXT970A requires attention to detail and good design practices. Refer to the LXT970 Design and Layout Guide for detailed design and layout information.

### 3.3.1 General Design Guidelines

Adherence to generally accepted design practices is essential to minimize noise levels on power and ground planes. Up to 50 mV of noise is considered acceptable. 50 to 80 mV of noise is considered marginal. High-frequency switching noise can be reduced, and its effects can be eliminated, by following these simple guidelines throughout the design:

- Fill in unused areas of the signal planes with solid copper and attach them with vias to a VCC or ground plane that is not located adjacent to the signal layer.
- Use ample bulk and decoupling capacitors throughout the design (a value of .01  $\mu$ F is recommended for decoupling caps).
- Provide ample power and ground planes.
- Provide termination on all high-speed switching signals and clock lines.
- Provide impedance matching on long traces to prevent reflections.
- Route high-speed signals next to a continuous, unbroken ground plane.
- Filter and shield DC-DC converters, oscillators, etc.
- Do not route any digital signals between the LXT970A and the RJ-45 connectors at the edge of the board.
- Do not extend any circuit power and ground plane past the center of the magnetics or to the edge of the board. Use this area for chassis ground, or leave it void.

### 3.3.2 Power Supply Filtering

Power supply ripple and digital switching noise on the VCC plane can cause EMI problems and degrade line performance. It is generally difficult to predict in advance the performance of any design, although certain factors greatly increase the risk of having these problems:

- Poorly-regulated or over-burdened power supplies.
- Wide data busses (>32-bits) running at a high clock rate.
- DC-to-DC converters.

Many of these issues can be improved by following good general design guidelines. Intel also recommends filtering between the power supply and the analog VCC pins of the LXT970A. Filtering has two benefits. First, it keeps digital switching noise out of the analog circuitry inside the LXT970A, which helps line performance. Second, if the VCC planes are laid out correctly, it keeps digital switching noise away from external connectors, reducing EMI problems.

The recommended implementation is to divide the VCC plane into two sections. The digital section supplies power to the digital VCC pin, VCCIO pin, and to the external components. The analog section supplies power to VCCA, VCCT, and VCCR pins of the LXT970A. The break between the two planes should run under the device. In designs with more than one LXT970A, a single continuous analog VCC plane can be used to supply them all.

The digital and analog VCC planes should be joined at one or more points by ferrite beads. The beads should produce at least a 100Ω impedance at 100 MHz. The beads should be placed so that current flow is evenly distributed. The maximum current rating of the beads should be at least 150% of the current that is actually expected to flow through them. A bulk cap (2.2 -10 μF) should be placed on each side of each ferrite bead to stop switching noise from traveling through the ferrite.

In addition, a high-frequency bypass cap (.01μf) should be placed near each analog VCC pin.

### 3.3.3 Ground Noise

The best approach to minimize ground noise is strict use of good general design guidelines and by filtering the VCC plane.

### 3.3.4 Power and Ground Plane Layout Considerations

Great care needs to be taken when laying out the power and ground planes. The following guidelines are recommended:

- Follow the guidelines in the *LXT970 Layout Guide* for locating the split between the digital and analog VCC planes.
- Keep the digital VCC plane away from the TPOP/N and TPIP/N signals, away from the magnetics, and away from the RJ-45 connectors.
- The ground plane should be one continuous, unbroken plane.
- Place the layers so that the TPOP/N and TPIP/N signals can be routed near or next to the ground plane. It is more important to shield TPOP/N than TPIP/N for EMI reasons.

### 3.3.5 Interfaces for Twisted-Pair /Fiber

#### 3.3.5.1 Twisted-Pair

Figure 21 on page 46 shows the recommended termination circuits for the fiber and twisted-pair interfaces. The twisted-pair interface consists of magnetics and a 100Ω termination resistance in parallel on the device-side of the winding. On the transmit pair, a common-mode bypass capacitor to ground is strongly recommended. A similar technique on the receive side can improve performance in some cases, however the results are highly application specific and must be verified. Route TREF nearby, but not in-between TPOP and TPON. A “Bob Smith” termination is often provided for the unused signal pairs.

### 3.3.5.2 Fiber

The fiber interface consists of a pseudo-ECL transmit and receive pair to an external fiber optic transceiver. The transmit pair should be AC-coupled to the transceiver, and biased to 3.7V with a 50Ω equivalent impedance. The receive pair can be DC-coupled, and should be biased to 3.0V with a 50Ω equivalent impedance. [Figure 21 on page 46](#) shows the correct bias networks to achieve these requirements.

The following guidelines apply to when laying out any differential pair:

- Space both members close together allowing nothing to come between them.
- Keep distances as short as possible, both traces should have the same length.
- Avoid layer changes as much as possible.
- Keep termination circuits close together and on the same side of the board.
- Always put termination circuits close to the source end of any circuit.

## 3.3.6 Interface for the MII

### 3.3.6.1 Transmit Hold Time Adjustment

Transmit hold time for TXD, TX\_EN, and TX\_ER from TX\_CLK High is currently specified in [Table 32](#), [Table 34](#), [Table 36](#), and [Table 38](#) as 5 ns minimum. 0 ns minimum is the IEEE specification. Depending on the specification of the MAC or ASIC used in your design, you may or may not need to account for this in your PC board design.

If you determine that a timing adjustment is required, there are a couple of recommended ways to do this.

- If using series resistors in the TXD lines, increase the value of the resistors to achieve the necessary delay.
- An alternative method is to add the appropriate delay in the TX\_CLK line. Depending on the amount of delay required, this may be accomplished with a series resistor or by adding a buffer to the TX\_CLK line.

Note that some delay is introduced by the actual PC board traces themselves.

### 3.3.6.2 MII Terminations

When the LXT970A is configured with high-strength MII driver levels (bit 17.3 = 0), 55Ω series termination resistors are recommended on all MII output signals to avoid undershoot and overshoot.

When 17.3 = 1, the MI driver levels are reduced by a factor of ten and termination resistors are not required on the MII outputs.

### 3.3.7 Typical Application

Figure 21 on page 46 is typical interface circuitry of the LXT970A. The diagram groups similar pins; it does not portray the actual chip pinout. The Media Independent Interface (MII) pins are at the upper left. Hardware Control Interface pins are center left. The line interface pins for twisted-pair and fiber are shown on the top and bottom right respectively.

The VCCD and VCCIO pins are at the bottom of the diagram. VCCT, VCCR, and VCCA are at the center right. All VCC pins (except VCCIO) use a single power supply. VCCIO may be powered by a 3.3V supply, and may be separately connected.

#### 3.3.7.1 Voltage Divider For MF Inputs

The LXT970A requires an external voltage divider to provide optional (VMF2 and VMF3) multi-level inputs to the Multi-Function (MF) pins. These voltage levels are designated as VMF1 - VMF4. A single voltage divider may be used to drive the MF pins in designs using multiple PHYs. Figure 20 shows a voltage divider with three 1 kΩ resistors configured in series between VCC and Ground.

Figure 20. Voltage Divider

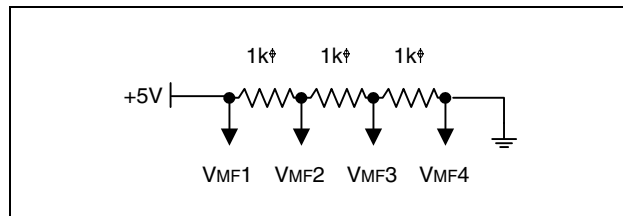
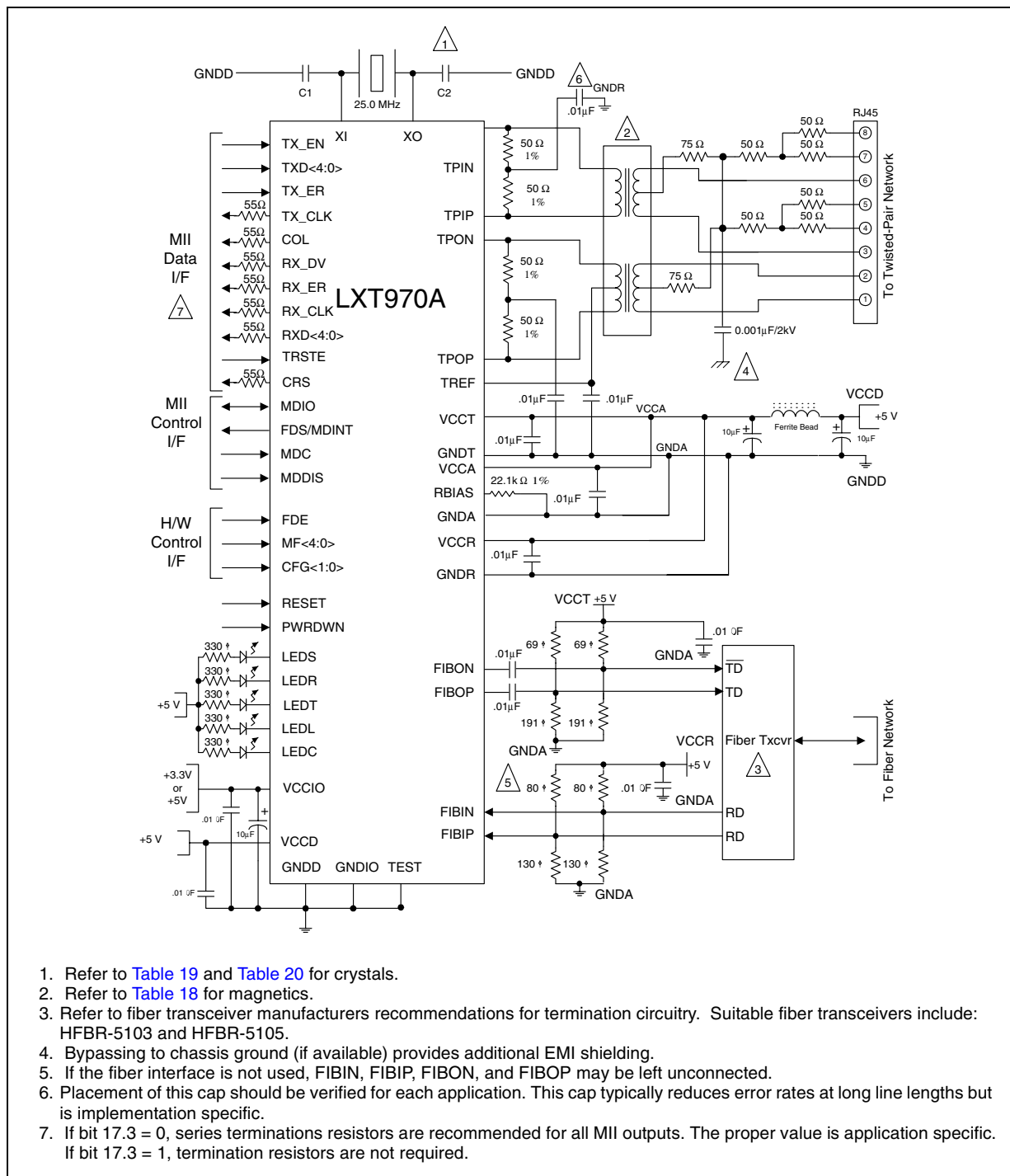


Figure 21. Typical Interface Circuitry



1. Refer to [Table 19](#) and [Table 20](#) for crystals.
2. Refer to [Table 18](#) for magnetics.
3. Refer to fiber transceiver manufacturers recommendations for termination circuitry. Suitable fiber transceivers include: HFBR-5103 and HFBR-5105.
4. Bypassing to chassis ground (if available) provides additional EMI shielding.
5. If the fiber interface is not used, FIBIN, FIBIP, FIBON, and FIBOP may be left unconnected.
6. Placement of this cap should be verified for each application. This cap typically reduces error rates at long line lengths but is implementation specific.
7. If bit 17.3 = 0, series terminations resistors are recommended for all MII outputs. The proper value is application specific. If bit 17.3 = 1, termination resistors are not required.

## 4.0 Test Specifications

**Note:** Table 21 through Table 43 and Figure 22 through Figure 36 represent the performance specifications of the LXT970A. These specifications are guaranteed by test except where noted “by design.” Minimum and maximum values listed in Table 23 through Table 43 apply over the recommended operating conditions specified in Table 22.

**Table 21. Absolute Maximum Ratings**

Parameter		Sym	Min	Max	Units
Supply Voltage		VCC	-0.3	6	V
Operating Temperature	Ambient	TOPA	-15	+85	°C
	Case	TOPC	–	+120	°C
Storage Temperature		TST	-65	+150	°C
<p><b>Caution:</b> Exceeding these values may cause permanent damage. Functional operation under these conditions is not implied. Exposure to maximum rating conditions for extended periods may affect device reliability.</p>					

**Table 22. Operating Conditions**

Parameter		Sym	Min	Typ <sup>1</sup>	Max	Units
Recommended Supply Voltage <sup>2</sup>	Except MII Supply	VCC	4.75	5.0	5.25	V
	II Supply	VCCIO	3.125	–	5.25	V
Recommended Operating Temperature	Ambient	TOPA	0	–	70	°C
	Case	TOPC	0	–	110	°C
Power Consumption (+5V Only)	100BASE-TX	I <sub>CC</sub>	–	170	–	mA
	100BASE-FX	I <sub>CC</sub>	–	80	–	mA
	10BASE-T	I <sub>CC</sub>	–	185	–	mA
	Power-Down Mode	I <sub>CC</sub>	–	9	–	mA
	Auto-Negotiation	I <sub>CC</sub>	–	240	270	mA
<p>1. Typical values are at 25 °C and are for design aid only; not guaranteed and not subject to production testing.                  2. Voltages with respect to ground unless otherwise specified.</p>						

Table 23. Digital I/O Characteristics<sup>1</sup>

Parameter	Symbol	Min	Typ	Max	Units	Test Conditions
Input Low Voltage <sup>3</sup>	V <sub>IL</sub>	–	–	.8	V	
Input High Voltage <sup>3</sup>	V <sub>IH</sub>	2.0	–	–	V	
Input Current	I <sub>I</sub>	-10	–	10	μA	0.0 < V <sub>I</sub> < V <sub>CC</sub>
Output Low Voltage	V <sub>OL</sub>	–	–	0.4	V	I <sub>OL</sub> = 4 mA
Output High Voltage (MII only)	V <sub>OH</sub>	2.2	–	–	V	I <sub>OH</sub> = -4 mA, V <sub>CCIO</sub> = 3.3V
Output High Voltage	V <sub>OH</sub>	2.4	–	–	V	I <sub>OH</sub> = -4 mA, V <sub>CCIO</sub> = 5.0V
MII Driver Output Resistance (Line Driver Output Enabled)	R <sub>O</sub> <sup>2,4</sup>	6.0	–	25.0	Ω	V <sub>CCIO</sub> = 3.3V
	R <sub>O</sub> <sup>2,4</sup>	6.0	–	25.0	Ω	V <sub>CCIO</sub> = 5.0V

1. Applies to all pins except MF<4:0> pins. Refer to Table 24 for MF pin I/O Characteristics.  
2. Parameter is guaranteed by design and not subject to production testing.  
3. Does not apply to XI or TX\_CLK pins. Refer to Table 25 for clock input levels.  
4. Applies to default MII driver level (bit 17.3= 0).

Table 24. Digital I/O Characteristics - MultiFunction Pins MF&lt;4:0&gt;

Parameter	Symbol	Min	Typ <sup>1</sup>	Max	Units	Test Conditions
Input Voltage Level 1	VMF1	V <sub>CC</sub> - 0.5	–	–	V	
Input Voltage Level 2	VMF2	(V <sub>CC</sub> /2) + 0.5	–	V <sub>CC</sub> - 1.2	V	
Input Voltage Level 3	VMF3	1.2	–	V <sub>CC</sub> /2 - 0.5	V	
Input Voltage Level 4	VMF4	–	–	0.5	V	

1. Typical values are at 25 °C and are for design aid only; not guaranteed and not subject to production testing.

Table 25. Required Clock Characteristics

Parameter	Sym	Min	Typ <sup>1</sup>	Max	Units	Test Conditions
<b>Master Clock Mode - External XI Clock Input</b>						
Input Low Voltage <sup>2</sup>	V <sub>IL</sub>	–	–	1.0	V	
Input High Voltage <sup>2</sup>	V <sub>IH</sub>	3.2	–	–	V	
Input Clock Frequency Tolerance <sup>2</sup>	Δf	–	–	± 100	ppm	Clock frequency is 25 MHz or 2.5 MHz
Input Clock Duty Cycle <sup>2</sup>	T <sub>dc</sub>	40	–	60	%	
Input Capacitance (XI and XO)	C <sub>IN</sub>	–	3.0	–	pF	
<b>Slave Clock Mode - External TX_CLK Input</b>						
Input Low Voltage	V <sub>IL</sub>	–	–	.8	V	
Input High Voltage	V <sub>IH</sub>	2.0	–	–	V	
Input Clock Frequency Tolerance <sup>2</sup>	Δf	–	–	± 100	ppm	Clock frequency is 25 MHz or 2.5 MHz
Input Clock Duty Cycle <sup>2</sup>	T <sub>dc</sub>	35	–	65	%	

1. Typical values are at 25 °C and are for design aid only; not guaranteed and not subject to production testing.  
2. Parameter is guaranteed by design; not subject to production testing.



**Table 26. Low Voltage Fault Detect Characteristics**

Parameter	Sym	Min	Typ <sup>1</sup>	Max	Units	Test Conditions
Detect Fault Threshold	VLT	3.4	–	4.0	V	–
Clear Fault Threshold	VLH	4.1	–	4.7	V	–

1. Typical values are at 25 °C and are for design aid only; not guaranteed and not subject to production testing.

**Table 27. 100BASE-TX Transceiver Characteristics**

Parameter	Sym	Min	Typ <sup>1</sup>	Max	Units	Test Conditions
Peak Differential Output Voltage	VOP	0.95	–	1.05	V	Note 2
Signal Amplitude Symmetry	Vss	98	–	102	%	Note 2
Signal Rise/Fall Time	TRF	3.0	–	5.0	ns	Note 2
Rise/Fall Time Symmetry	TRFS	–	–	0.5	ns	Note 2
Duty Cycle Distortion	DCD	–	–	± 0.5	ns	Offset from 16ns pulse width at 50% of pulse peak
Overshoot/Undershoot	VOS	–	–	5	%	–

1. Typical values are at 25 °C and are for design aid only; not guaranteed and not subject to production testing.  
 2. Measured at the line side of the transformer, line replaced by 100Ω (±1%) resistor.

**Table 28. 100BASE-FX Transceiver Characteristics**

Parameter	Sym	Min	Typ <sup>1</sup>	Max	Units	Test Conditions
<b>Transmitter</b>						
Peak Differential Output Voltage (Single Ended)	VOP	0.6	–	1.0	V	–
Signal Rise/Fall Time	TRF	–	–	1.6	ns	10 <-> 90% 2.0 pF load
Jitter (Measured Differentially)	–	–	–	1.3	ns	–
<b>Receiver</b>						
Peak Differential Input Voltage	VIP	0.55	–	1.5	V	–
Common-Mode Input Range	VCMIR	2.25	–	VCC - 0.5	V	–

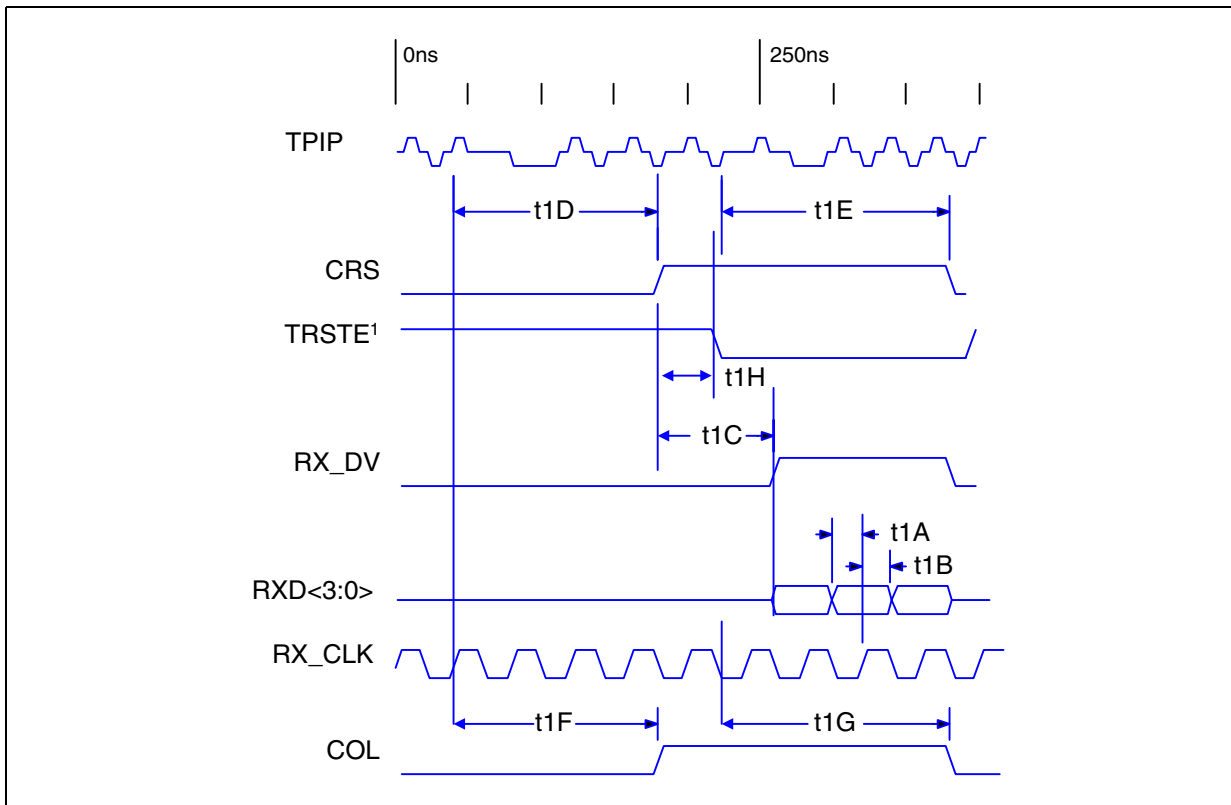
1. Typical values are at 25 °C and are for design aid only; not guaranteed and not subject to production testing.

Table 29. 10BASE-T Transceiver Characteristics

Parameter	Sym	Min	Typ <sup>1</sup>	Max	Units	Test Conditions
<b>Transmitter</b>						
Peak Differential Output Voltage	VOP	2.2	2.5	2.8	V	With transformer, line replaced by 100Ω (±1%) resistor
Transmit Timing Jitter added by the MAU and PLS Sections <sup>2,3</sup>	–	0	2	11	ns	After line model specified by IEEE 802.3 for 10BASE-T MAU
<b>Receiver</b>						
Receive Input Impedance <sup>2</sup>	ZIN	–	3.6	–	kΩ	Between TPIP/TPIN
Differential Squelch Threshold	VDS	300	420	585	mV	5 MHz square wave input
1. Typical values are at 25 °C and are for design aid only; not guaranteed and not subject to production testing. 2. Parameter is guaranteed by design; not subject to production testing. 3. IEEE 802.3 specifies maximum jitter additions at 1.5 ns for the AUI cable, 0.5ns from the encoder, and 3.5ns from the MAU.						

Table 30. 10BASE-T Link Integrity Timing Characteristics

Parameter	Sym	Min	Typ <sup>1</sup>	Max	Units	Test Conditions
Time Link Loss Receive	TLL	50	64	150	ms	–
Link Pulse	TLP	2	4	7	Link Pulses	–
Link Min Receive Timer	TLR MIN	2	4	7	ms	–
Link Max Receive Timer	TLR MAX	50	64	150	ms	–
Link Transmit Period	Tlt	8	10	24	ms	–
Link Pulse Width	Tlpw	–	100	–	ns	–
1. Typical values are at 25 °C and are for design aid only; not guaranteed and not subject to production testing.						

**Figure 22. MII - 100BASE-TX Receive Timing / 4B Mode**

**Table 31. MII - 100BASE-TX Receive Timing Parameters / 4B Mode**

Parameter	Sym	Min	Typ <sup>1</sup>	Max	Units <sup>3</sup>
RXD, RX_DV, RX_ER Setup to RX_CLK High	t1A	10	–	–	ns
RXD, RX_DV, RX_ER Hold from RX_CLK High	t1B	10	–	–	ns
CRS asserted to RXD<3:0>, RX_DV asserted	t1C	–	8	–	BT
Receive start of “J” to CRS asserted	t1D	0	15 - 19	20	BT
Receive start of “T” to CRS de-asserted	t1E	13	23 - 27	28	BT
Receive start of “J” to COL asserted	t1F	0	15 - 19	20	BT
Receive start of “T” to COL de-asserted	t1G	13	23 - 27	28	BT
TRSTE asserted to RX_DV, RXD<3:0> driven <sup>2</sup>	t1H	–	20	–	ns

1. Typical values are at 25 °C and are for design aid only; not guaranteed and not subject to production testing.

2. These parameters apply only when the device is operated in Repeater Mode.

3. BT is the duration of one bit as transferred to and from the MAC and is the reciprocal of the bit rate. 100BASE-T bit time =  $10^{-8}$  s or 10 ns.

Figure 23. MII - 100BASE-TX Transmit Timing / 4B Mode

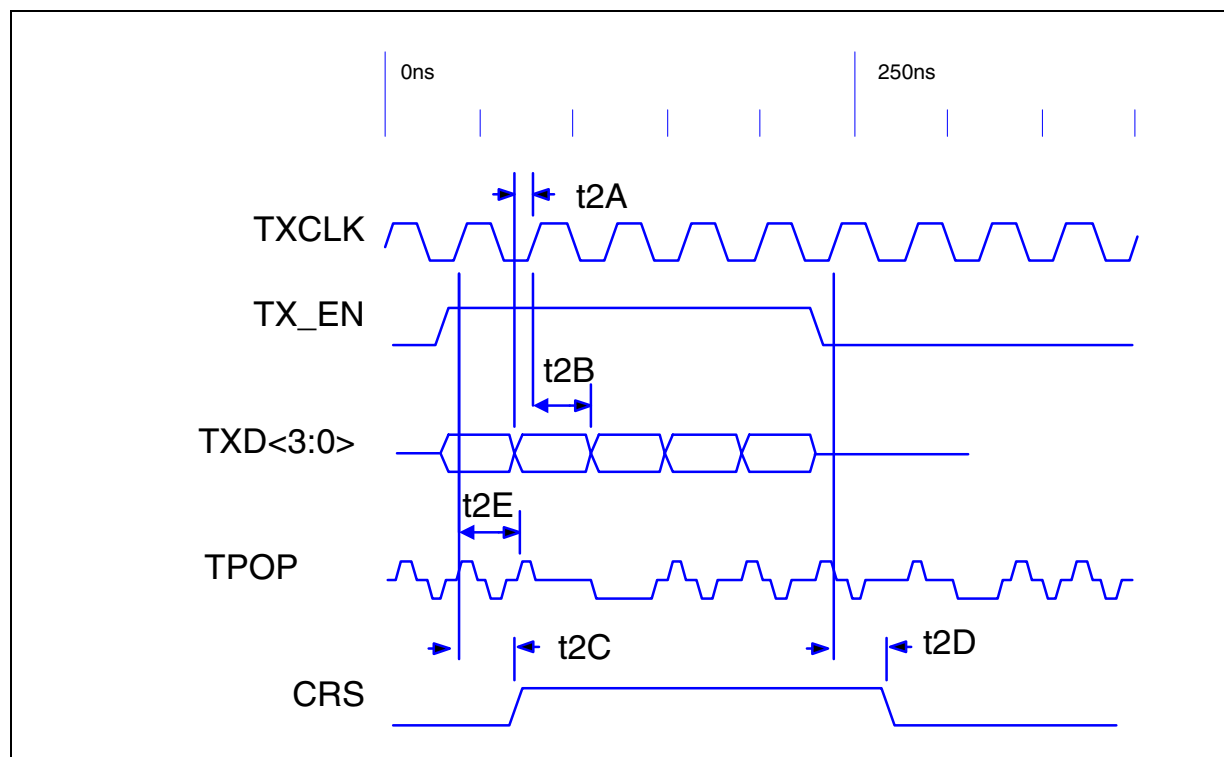
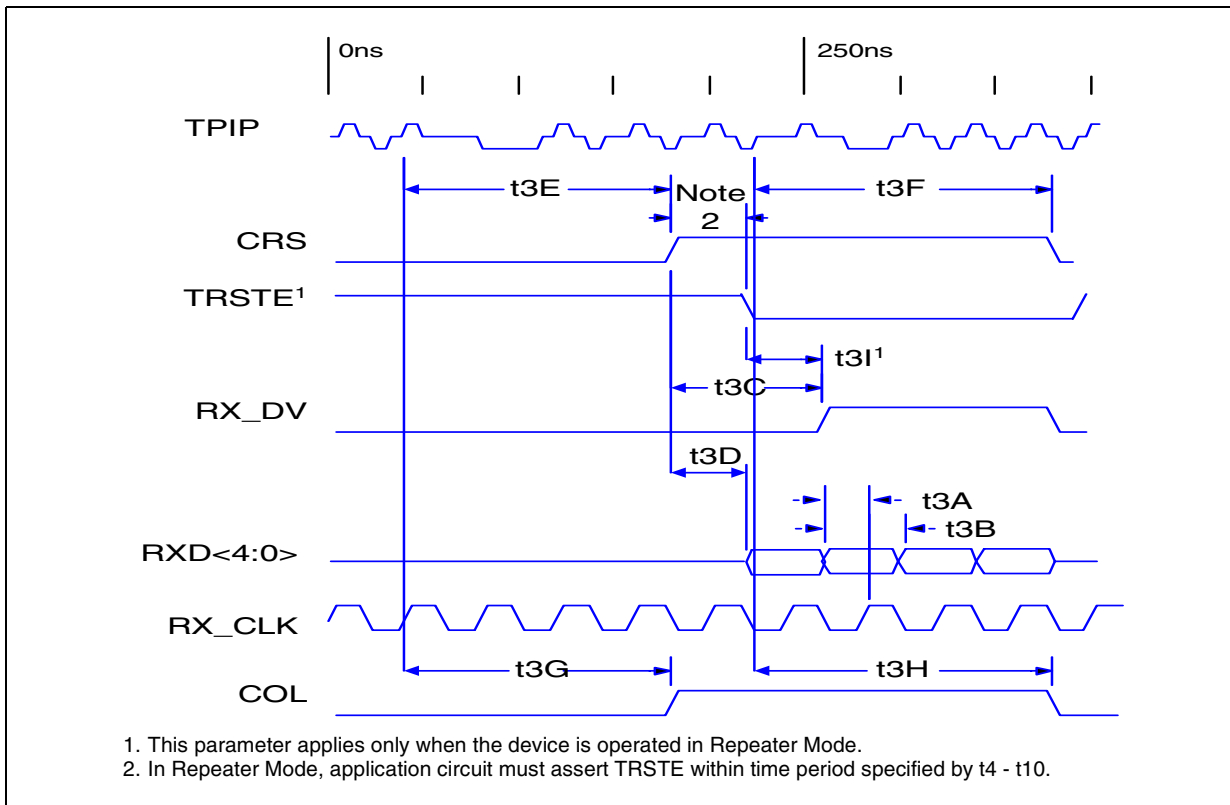


Table 32. MII - 100BASE-TX Transmit Timing Parameters / 4B Mode

Parameter	Sym	Min	Typ <sup>1</sup>	Max	Units <sup>2</sup>
TXD<3:0>, TX_EN, TX_ER Setup to TX_CLK High	t2A	10	–	–	ns
TXD<3:0>, TX_EN, TX_ER Hold from TX_CLK High	t2B	5	–	–	ns
TX_EN sampled to CRS asserted	t2C	–	3	4	BT
TX_EN sampled to CRS de-asserted	t2D	–	4	16	BT
TX_EN sampled to TPO out (Tx latency)	t2E	6	10	14	BT

1. Typical values are at 25 °C and are for design aid only; not guaranteed and not subject to production testing.  
 2. BT is the duration of one bit as transferred to and from the MAC and is the reciprocal of the bit rate. 100BASE-T bit time = 10<sup>-8</sup> s or 10 ns.

**Figure 24. MII - 100BASE-TX Receive Timing / 5B Mode**

**Table 33. MII - 100BASE-TX Receive Timing Parameters / 5B Mode**

Parameter	Sym	Min	Typ <sup>1</sup>	Max	Units <sup>3</sup>
RXD, RX_DV, RX_ER Setup to RX_CLK High	t3A	10	–	–	ns
RXD, RX_DV, RX_ER Hold from RX_CLK High	t3B	10	–	–	ns
CRS asserted to RX_DV asserted	t3C	–	8	–	BT
CRS asserted to RXD<4:0> asserted	t3D	–	4	–	BT
Receive start of “J” to CRS asserted	t3E	0	15 - 19	20	BT
Receive start of “T” to CRS de-asserted	t3F	13	23 - 27	28	BT
Receive start of “J” to COL asserted	t3G	0	15 - 19	20	BT
Receive start of “T” to COL de-asserted	t3H	13	23 - 27	28	BT
TRSTE asserted to RX_DV, RXD<4:0> driven <sup>2</sup>	t3I	–	20	–	ns

1. Typical values are at 25 °C and are for design aid only; not guaranteed and not subject to production testing.  
 2. These parameters apply only when the device is operated in Repeater Mode.  
 3. BT is the duration of one bit as transferred to and from the MAC and is the reciprocal of the bit rate. 100BASE-T bit time = 10<sup>-8</sup> s or 10 ns.

Figure 25. 100BASE-TX Transmit Timing / 5B Mode

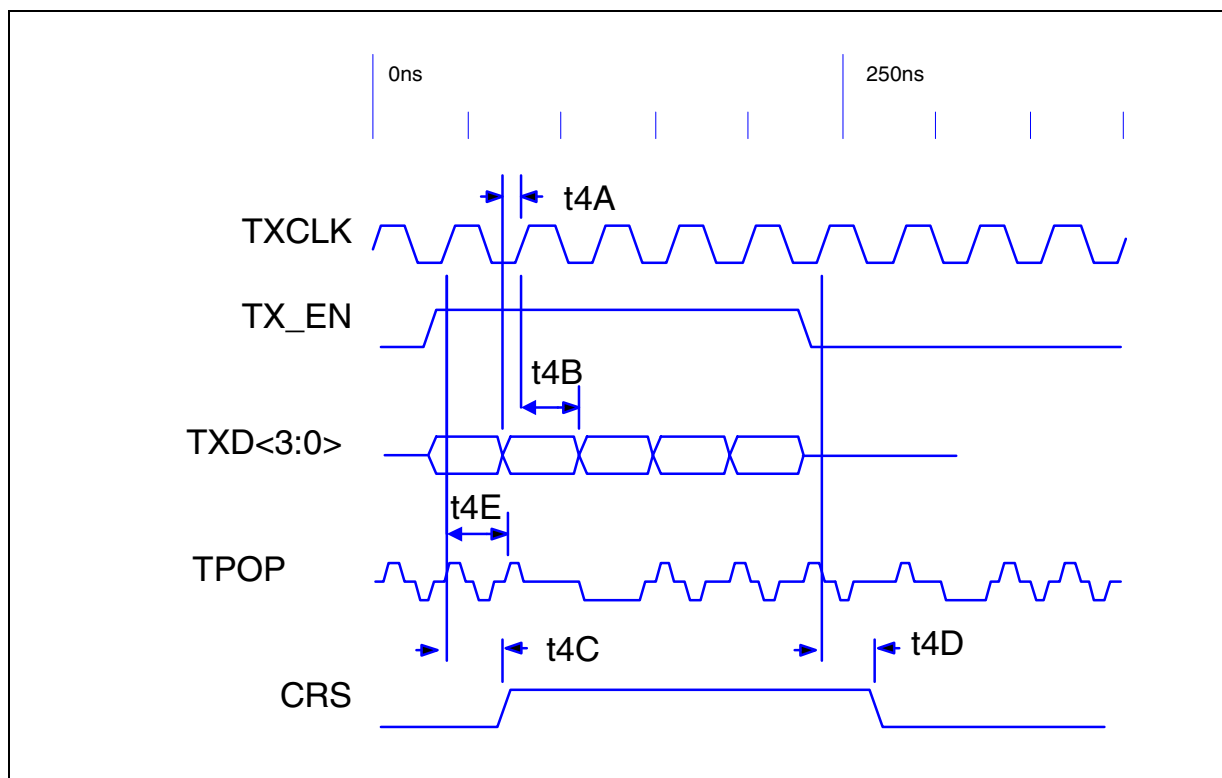
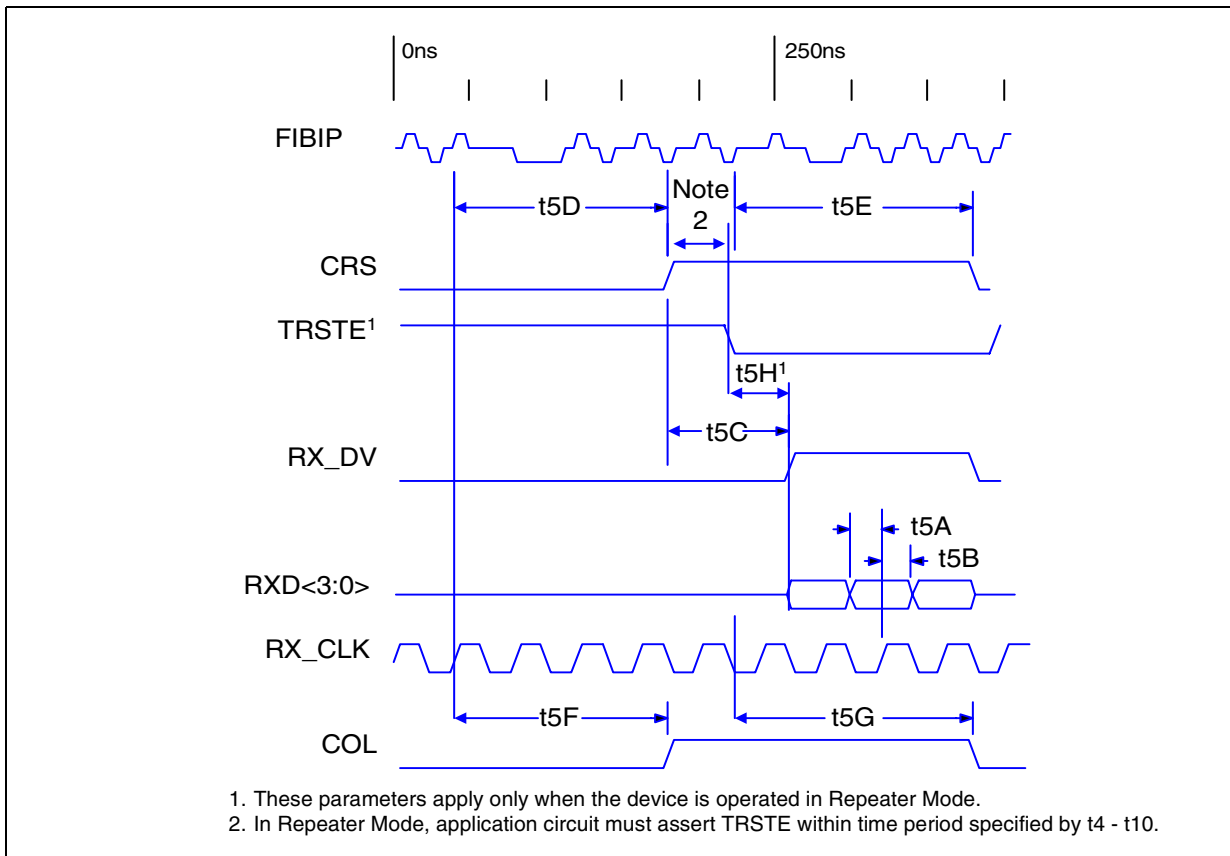


Table 34. MII - 100BASE-TX Transmit Timing Parameters / 5B Mode

Parameter	Sym	Min	Typ <sup>1</sup>	Max	Units <sup>2</sup>
TXD, TX_EN, TX_ER Setup to TX_CLK High	t4A	10	–	–	ns
TXD, TX_EN, TX_ER Hold from TX_CLK High	t4B	5	–	–	ns
TX_EN sampled to CRS asserted	t4C	–	3	4	BT
TX_EN sampled to CRS de-asserted	t4D	–	4	16	BT
TX_EN sampled to TPO out (Tx latency)	t4E	4	6	9	BT

1. Typical values are at 25 °C and are for design aid only; not guaranteed and not subject to production testing.  
 2. BT is the duration of one bit as transferred to and from the MAC and is the reciprocal of the bit rate. 100BASE-T bit time = 10<sup>-8</sup> s or 10 ns.

**Figure 26. MII - 100BASE-FX Receive Timing / 4B Mode**

**Table 35. MII - 100BASE-FX Receive Timing Parameters / 4B Mode**

Parameter	Sym	Min	Typ <sup>1</sup>	Max	Units <sup>3</sup>
RXD, RX_DV, RX_ER Setup to RX_CLK High	t5A	10	–	–	ns
RXD, RX_DV, RX_ER Hold from RX_CLK High	t5B	10	–	–	ns
CRS asserted to RXD<3:0>, RX_DV asserted	t5C	–	8	–	BT
Receive start of “J” to CRS asserted	t5D	0	13 - 17	20	BT
Receive start of “T” to CRS de-asserted	t5E	13	21 - 25	26	BT
Receive start of “J” to COL asserted	t5F	0	13 - 17	20	BT
Receive start of “T” to COL de-asserted	t5G	13	21 - 25	26	BT
TRSTE asserted to RX_DV, RXD<3:0> driven <sup>2</sup>	t5H	–	20	–	ns

1. Typical values are at 25 °C and are for design aid only; not guaranteed and not subject to production testing.  
 2. These parameters apply only when the device is operated in Repeater Mode.  
 3. BT is the duration of one bit as transferred to and from the MAC and is the reciprocal of the bit rate. 100BASE-T bit time = 10<sup>-8</sup> s or 10 ns.

Figure 27. MII - 100BASE-FX Transmit Timing / 4B Mode

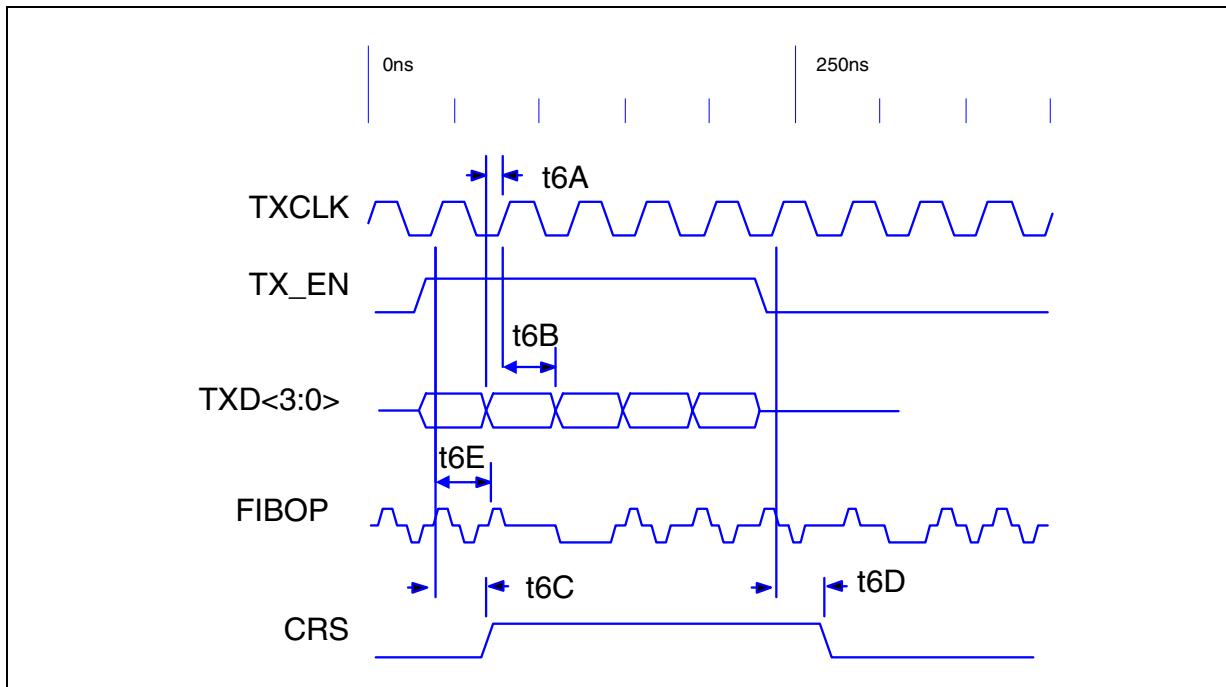
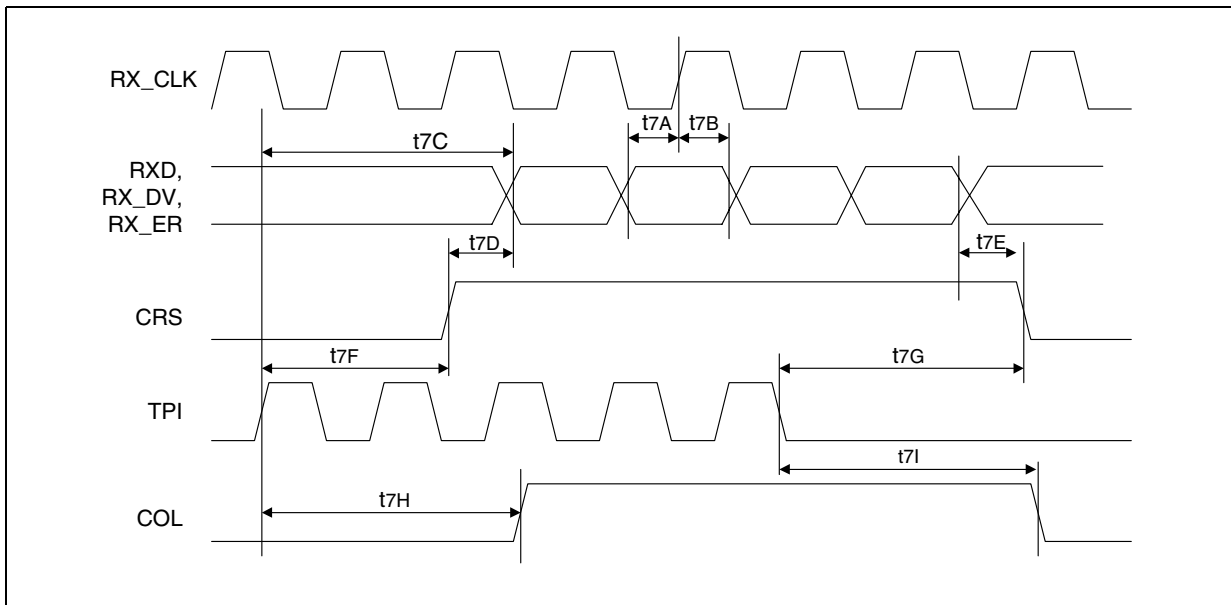


Table 36. MII - 100BASE-FX Transmit Timing Parameters / 4B Mode

Parameter	Sym	Min	Typ <sup>1</sup>	Max	Units <sup>2</sup>
TXD<3:0>, TX_EN, TX_ER Setup to TX_CLK High	t6A	10	–	–	ns
TXD<3:0>, TX_EN, TX_ER Hold from TX_CLK High	t6B	5	–	–	ns
TX_EN sampled to CRS asserted	t6C	–	3	4	BT
TX_EN sampled to CRS de-asserted	t6D	–	4	16	BT
TX_EN sampled to TPO out (Tx latency)	t6E	6	11	14	BT

1. Typical values are at 25 °C and are for design aid only; not guaranteed and not subject to production testing.  
 2. BT is the duration of one bit as transferred to and from the MAC and is the reciprocal of the bit rate. 100BASE-T bit time = 10<sup>-8</sup> s or 10 ns.



**Figure 28. MII - 10BASE-T Receiving Timing**

**Table 37. MII - 10BASE-T Receive Timing Parameters**

Parameter	Sym	Min	Typ <sup>1</sup>	Max	Units <sup>2</sup>
RXD, RX_DV, RX_ER Setup to RX_CLK High	t7A	10	–	–	ns
RXD, RX_DV, RX_ER Hold from RX_CLK High	t7B	10	–	–	ns
TPI in to RXD out (Rx latency)	t7C	–	–	73 <sup>3</sup>	BT
CRS asserted to RXD, RX_DV, RX_ER asserted	t7D	0	–	69 <sup>3</sup>	BT
RXD, RX_DV, RX_ER de-asserted to CRS de-asserted	t7E	0	2.5 - 5.5	6	BT
TPI in to CRS asserted	t7F	0	4	5	BT
TPI quiet to CRS de-asserted	t7G	0	18	19	BT
TPI in to COL asserted	t7H	0	4	5	BT
TPI quiet to COL de-asserted	t7I	0	18	19	BT

1. Typical values are at 25 °C and are for design aid only; not guaranteed and not subject to production testing.

2. BT is the duration of one bit as transferred to and from the MAC and is the reciprocal of the bit rate. 10BASE-T bit time =  $10^{-7}$  s or 100 ns.

3. CRS is asserted. RXD/RX\_DV are driven at the start of SFD (64 BT).

Figure 29. MII - 10BASE-T Transmit Timing

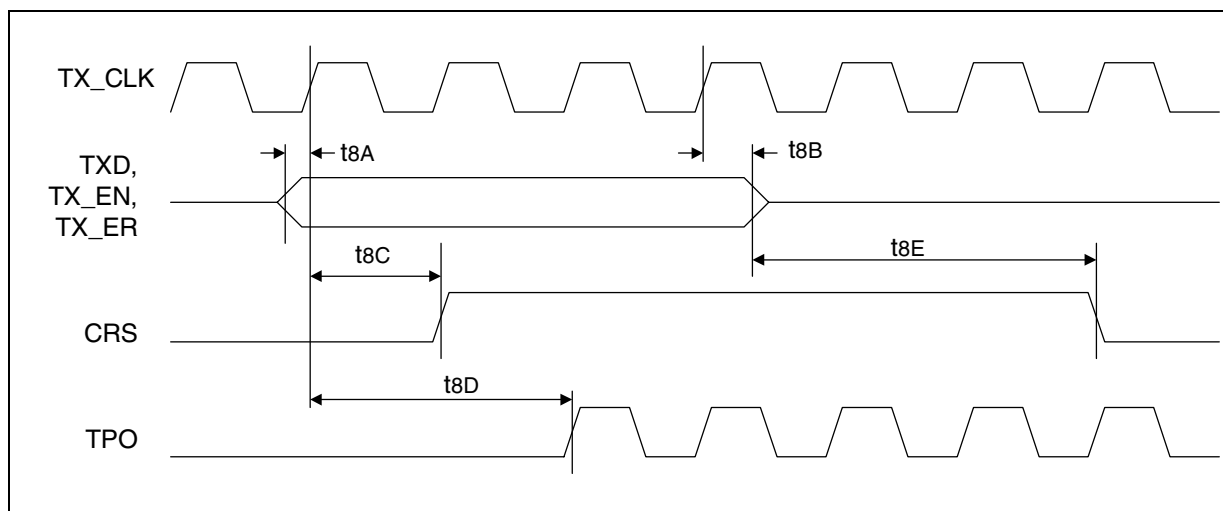
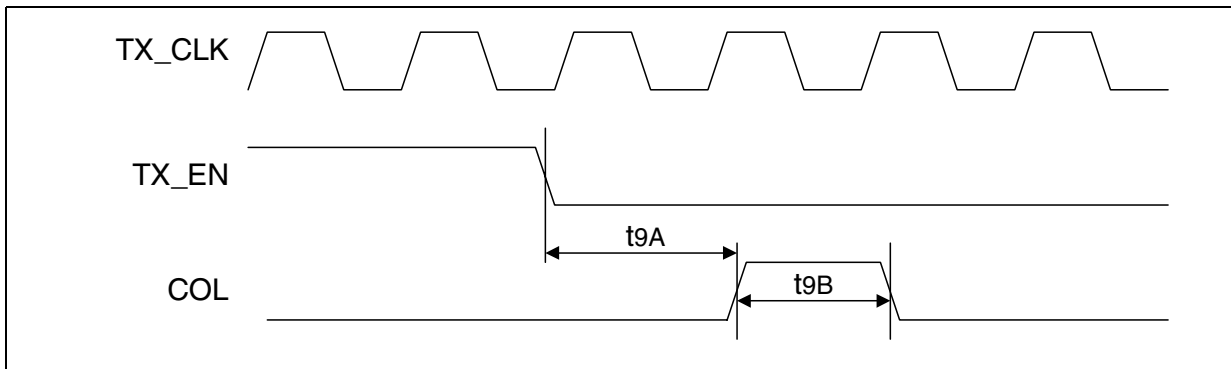


Table 38. MII - 10BASE-T Transmit Timing Parameters

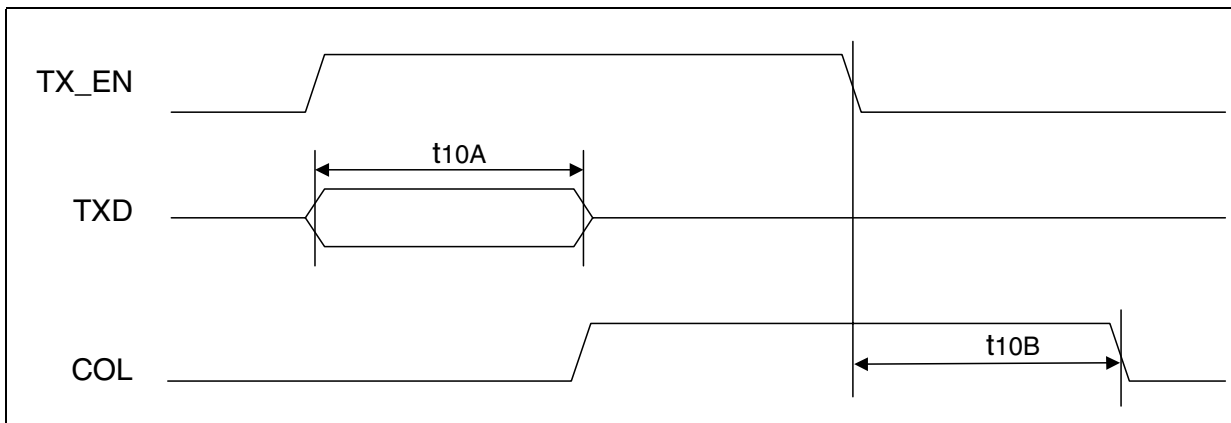
Parameter	Sym	Min	Typ <sup>1</sup>	Max	Units <sup>2</sup>
TXD, TX_EN, TX_ER Setup to TX_CLK High	t8A	10	–	–	ns
TXD, TX_EN, TX_ER Hold from TX_CLK High	t8B	5	–	–	ns
TX_EN sampled to CRS asserted	t8C	–	0	4	BT
TX_EN sampled to CRS de-asserted	t8D	–	8	–	BT
TX_EN sampled to TPO out (Tx latency)	t8E	–	3 - 5	–	BT

1. Typical values are at 25 °C and are for design aid only; not guaranteed and not subject to production testing.  
 2. BT is the duration of one bit as transferred to and from the MAC and is the reciprocal of the bit rate. 10BASE-T bit time =  $10^{-7}$  s or 100 ns.

**Figure 30. 10BASE-T SQE (Heartbeat) Timing**

**Table 39. 10BASE-T SQE (Heartbeat) Timing Parameters**

Parameter	Sym	Min	Typ <sup>1</sup>	Max	Units	Test Conditions
COL (SQE) Delay after TX_EN off	t9A	0.65	1.0	1.6	μs	
COL (SQE) Pulse duration	t9B	.5	1.0	1.5	μs	

1. Typical values are at 25 °C and are for design aid only; not guaranteed and not subject to production testing.

**Figure 31. 10BASE-T Jab and Unjab Timing**

**Table 40. 10BASE-T Jab and Unjab Timing Parameters**

Parameter	Sym	Min	Typ <sup>1</sup>	Max	Units	Test Conditions
Maximum Transmit time	t10A	20	96 - 128 <sup>2</sup>	150	ms	
Unjab time	t10B	250	525	750	ms	

1. Typical values are at 25 °C and are for design aid only; not guaranteed and not subject to production testing.  
 2. Typical transmit time may be either of these values depending on internal 32 ms clock synchronization.

Figure 32. Auto Negotiation and Fast Link Pulse Timing

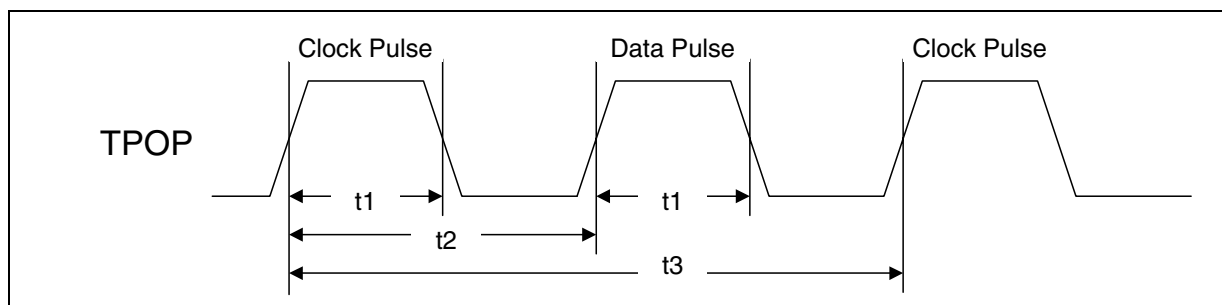


Figure 33. Fast Link Pulse Timing

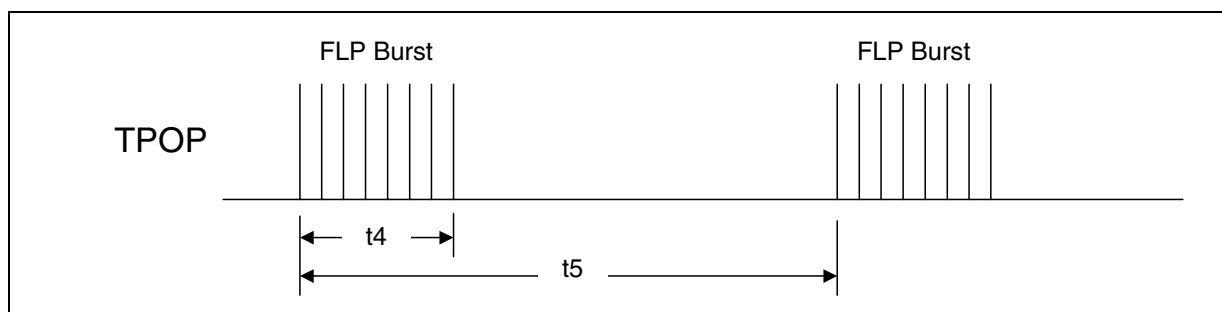
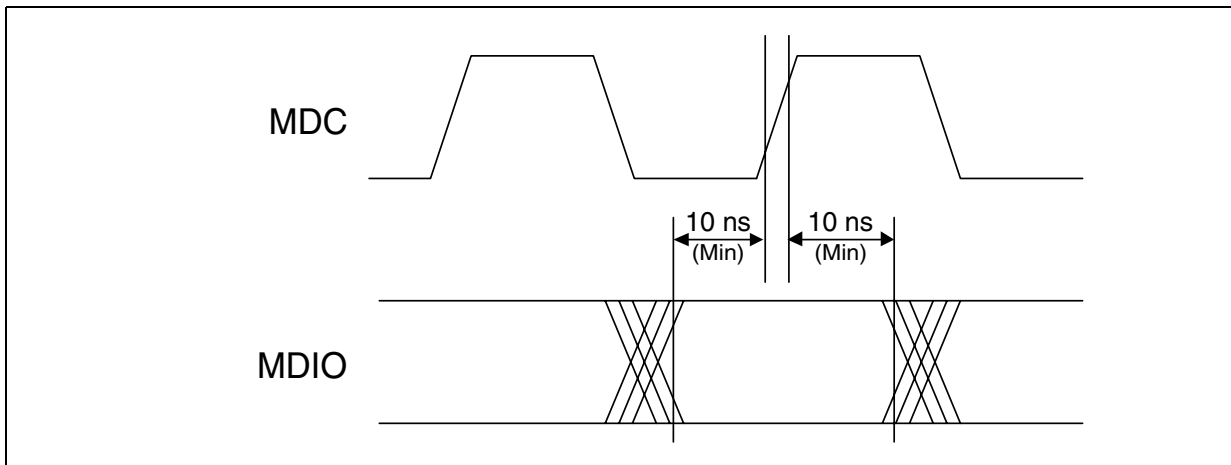
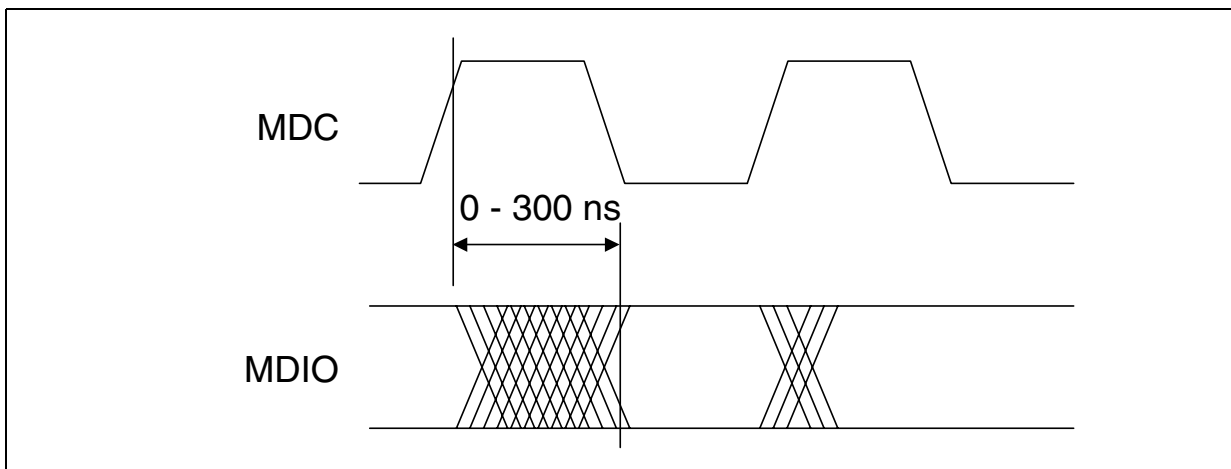


Table 41. Auto Negotiation and Fast Link Pulse Timing Parameters

Parameter	Sym	Min	Typ <sup>1</sup>	Max	Units	Test Conditions
Clock/Data pulse width	t1	–	100	–	ns	
Clock pulse to Data pulse	t2	55.5	62.5	69.5	μs	
Clock pulse to Clock pulse	t3	111	125	139	μs	
FLP burst width	t4	–	2	–	ms	
FLP burst to FLP burst	t5	8	12	24	ms	
Clock/Data pulses per burst	–	17	–	33	ea	

1. Typical values are at 25 °C and are for design aid only; not guaranteed and not subject to production testing.

**Figure 34. MDIO Timing when Sourced by STA**

**Figure 35. MDIO Timing when Sourced by PHY**

**Table 42. MDIO Timing Parameters**

Parameter	Sym	Min	Typ <sup>1</sup>	Max	Units	Test Conditions
MDIO Setup before MDC	–	10	–	–	ns	When sourced by STA
MDIO Hold after MDC	–	10	–	–	ns	When sourced by STA
MDC to MDIO Output delay	–	0	10	300	ns	When sourced by PHY

1. Typical values are at 25° C and are for design aid only; not guaranteed and not subject to production testing.

Figure 36. Power-Down Recovery Timing (Over Recommended Range)

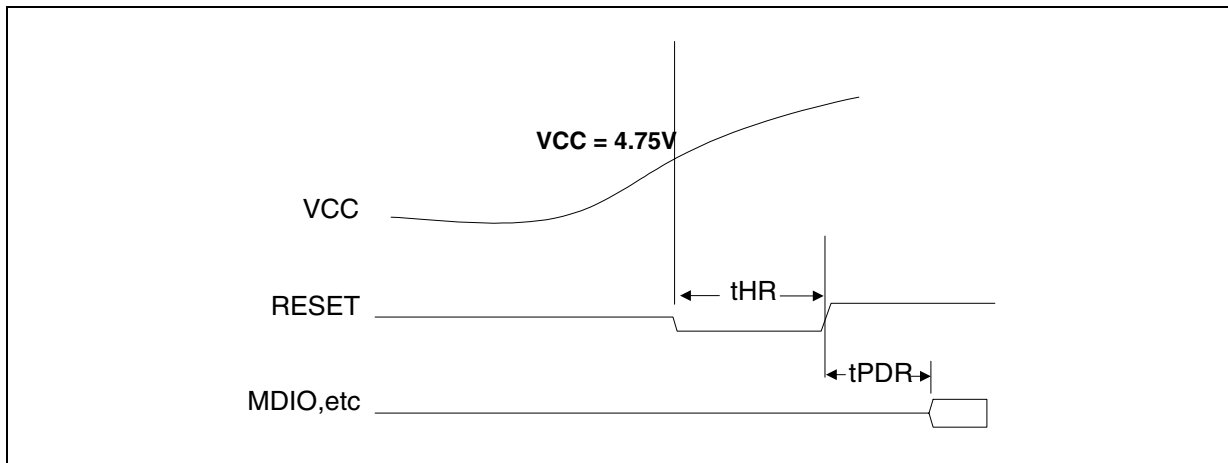


Table 43. Power-Down Recovery Timing Parameters

Parameter	Sym	Min	Typ <sup>1</sup>	Max	Units	Test Conditions
Power-Down recovery time	tPDR	–	1.0	–	ms	
Hardware reset time	tHR	–	300	–	μs	

1. Typical values are at 25° C and are for design aid only; not guaranteed and not subject to production testing.

## 5.0 Register Definitions

The LXT970A register set includes a total of twelve 16-bit registers. Refer to [Table 44](#) for a complete register listing.

- Seven base registers (0 through 6) are defined in accordance with the “Reconciliation Sublayer and Media Independent Interface” and “Physical Layer Link Signalling for 10/100 Mbps Auto-Negotiation” sections of the IEEE 802.3 specification (Register 7, Next Page, is not supported).
- Five additional registers (16 through 20) are defined in accordance with the IEEE 802.3 specification for adding unique chip functions.

**Table 44. Register Set**

Address	Register Name	Bit Assignments
0	Control Register	Refer to <a href="#">Table 45 on page 64</a>
1	Status Register	Refer to <a href="#">Table 46 on page 65</a>
2	PHY Identification Register 1	Refer to <a href="#">Table 47 on page 66</a>
3	PHY Identification Register 2	Refer to <a href="#">Table 48 on page 66</a>
4	Auto-Negotiation Advertisement Register	Refer to <a href="#">Table 49 on page 67</a>
5	Auto-Negotiation Link Partner Ability Register	Refer to <a href="#">Table 50 on page 68</a>
6	Auto-Negotiation Expansion Register	Refer to <a href="#">Table 51 on page 69</a>
16	Mirror Register	Refer to <a href="#">Table 52 on page 69</a>
17	Interrupt Enable Register	Refer to <a href="#">Table 53 on page 70</a>
18	Interrupt Status Register	Refer to <a href="#">Table 54 on page 70</a>
19	Configuration Register	Refer to <a href="#">Table 55 on page 71</a>
20	Chip Status Register	Refer to <a href="#">Table 56 on page 72</a>

Table 45. Control Register (Address 0)

Bit	Name	Description	Type <sup>1</sup>	Default
0.15	Reset	1 = Reset chip. 0 = Enable normal operation.	R/W SC	0
0.14	Loopback	1 = Enable loopback mode. When Loopback is enabled, during 100 Mbps operation, the LXT970A disconnects its transmitter and receiver from the network. Data sent by the controller passes through the chip and then gets looped back to the MII. During 10 Mbps operation the preamble, SFD, and data loop directly back to the MII. 0 = Disable loopback mode.	R/W	0
0.13	Speed Selection	1 = 100 Mbps 0 = 10 Mbps	R/W	Note 2
0.12	Auto-Negotiation Enable	1 = Enable auto-negotiate process (overrides speed select and duplex mode bits). 0 = Disable auto-negotiate process.	R/W	Note 3
0.11	Power Down	1 = Enable power down. 0 = Enable normal operation.	R/W	Note 4
0.10	Isolate	1 = Electrically isolate LXT970A from MII. 0 = Normal operation.	R/W	Note 5
0.9	Restart Auto-Negotiation	1 = Restart auto-negotiation process. 0 = Normal operation.	R/W SC	Note 6
0.8	Duplex Mode	1 = Enable full-duplex. 0 = Enable half-duplex.	R/W	Note 7
0.7	Collision Test	1 = Enable COL signal test. Bit 0.14 must be enabled to use this bit. This bit is used in conjunction with bit 0.14 to test the COL output. 0 = Disable COL signal test.	R/W	0 <sup>Note 8</sup>
0.6:4	Transceiver Test Mode	Not Supported.	RO	0
0.3	Master-Slave Enable	Not Supported.	RO	0
0.2	Master-Slave Value	Not Supported.	RO	0
0.1:0	Reserved		R/W	0

1. R/W = Read/Write  
SC = Self Clearing

2. If auto-negotiation is enabled, this bit is ignored. If auto-negotiation is disabled, the default value of bit 0.13 is determined by pin CFG0.

3. The default value of bit 0.12 is determined by pin MF0.

4. The LXT970A internally maintains all set values of the configuration registers upon exiting power-down mode. A delay of 500 ns minimum is required from the time power down is cleared until any register can be written.

5. The default value of bit 0.10 is determined by pin TRSTE.

6. If auto-negotiation is enabled, the default value of bit 0.9 is determined by pin CFG0. If auto-negotiation is disabled, the default value of bit 0.9 = 0.

7. If auto-negotiation is enabled, this bit is ignored. If auto-negotiation is disabled, the default value of bit 0.8 is determined by pin FDE.

8. This bit is ignored unless loopback is enabled (0.14 = 1).



**Table 46. Status Register (Address 1)**

Bit	Name	Description	Type <sup>1</sup>	Default
1.15	100BASE-T4	Not Supported.	RO	0
1.14	100BASE-X full-duplex	1 = LXT970A able to perform full-duplex 100BASE-X.	RO	1
1.13	100BASE-X half-duplex	1 = LXT970A able to perform half-duplex 100BASE-X.	RO	1
1.12	10 Mb/s full-duplex	1 = LXT970A able to operate at 10 Mb/s in full-duplex mode.	RO	1
1.11	10 Mb/s half-duplex	1 = LXT970A able to operate at 10 Mb/s in half-duplex mode.	RO	1
1.10	100BASE-T2 full-duplex	Not Supported.	RO	0
1.9	100BASE-T2 half-duplex	Not Supported.	RO	0
1.8	Reserved	Ignore on read.	RO	0
1.7	Master-Slave Configuration Fault	Not Supported.	RO	0
1.6	MF Preamble Suppression	0 = LXT970A will not accept management frames with preamble suppressed.	RO	0
1.5	Auto-Neg. Complete	1 = Auto-negotiation process complete. 0 = Auto-negotiation process not complete.	RO	0
1.4	Remote Fault	1 = Remote fault condition detected. 0 = No remote fault condition detected. This bit is set when: Link partner transmits a remote fault condition (bit 5.13 = 1) Link partner protocol is anything other than CSMA-CD (bits 5.4:0 = <00001>) Link partner advertises T4 capability only (bits 5.9:5 ¼ <10000>)	RO/LH	0
1.3	Auto-Neg. Ability	1 = LXT970A is able to perform auto-negotiation.	RO	1
1.2	Link Status	1 = Link is up. 0 = Link is down.	RO/LL	0
1.1	Jabber Detect (10BASE-T Only)	1 = Jabber condition detected. 0 = No jabber condition detected.	RO/LH	0
1.0	Extended Capability	1 = Extended register capabilities.	RO	1

1. RO = Read Only  
LL = Latching Low (This bit remains Low until read, and then returns High).  
LH = Latching High (This bit remains High until read, and then returns Low).

**Table 47. PHY Identification Register 1 (Address 2)**

Bit	Name	Description	Type <sup>1</sup>	Default
2.15:0	PHY ID Number	The PHY identifier composed of bits 3 through 18 of the OUI.	RO	7810 hex

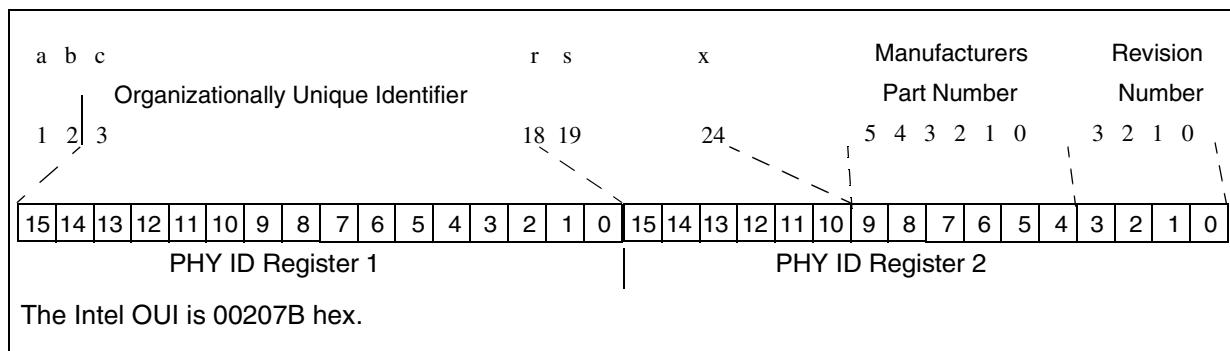
1. RO = Read Only

**Table 48. PHY Identification Register 2 (Address 3)**

Bit	Name	Description	Type <sup>1</sup>	Default
3.15:10	PHY ID number	The PHY identifier composed of bits 19 through 24 of the OUI.	RO	000000 bin
3.9:4	Manufacturer's model number	6 bits containing manufacturer's part number.	RO	000000 bin
3.3:0	Manufacturer's revision number	4 bits containing manufacturer's revision number.	RO	0011 bin

1. RO = Read Only

**Figure 37. PHY Identifier Bit Mapping**



**Table 49. Auto Negotiation Advertisement Register (Address 4)**

Bit	Name	Description	Type <sup>1</sup>	Default
4.15	Next Page	Not Supported	RO	0
4.14	Reserved	Ignore on read.	RO	0
4.13	Remote Fault	1 = Remote fault. 0 = No remote fault.	R/W	0
4.12:11	Reserved	Ignore on read.	R/W	0
4.10	Pause	1 = Pause operation is enabled for full-duplex links. 0 = Pause operation is disabled.	R/W	0
4.9	100BASE-T4	1 = 100BASE-T4 capability is available. 0 = 100BASE-T4 capability is not available.  (The LXT970A does not support 100BASE-T4, but allows this bit to be set to advertise in the Auto-Negotiation sequence for 100BASE-T4 operation. An external 100BASE-T4 transceiver could be switched in if this capability is desired.)	R/W	0
4.8	100BASE-TX full-duplex	1 = DTE is 100BASE-TX full-duplex capable. 0 = DTE is not 100BASE-TX full-duplex capable.	R/W	Note 2
4.7	100BASE-TX	1 = DTE is 100BASE-TX capable. 0 = DTE is not 100BASE-TX capable.	R/W	Note 3
4.6	10BASE-T full-duplex	1 = DTE is 10BASE-T full-duplex capable. 0 = DTE is not 10BASE-T full-duplex capable.	R/W	Note 4
4.5	10BASE-T	1 = DTE is 10BASE-T capable. 0 = DTE is not 10BASE-T capable.	R/W	Note 5
4.4:0	Selector Field, S<4:0>	<00001> = IEEE 802.3 <00010> = IEEE 802.9 ISLAN-16T <00000> = Reserved for future Auto-Negotiation development <11111> = Reserved for future Auto-Negotiation development Unspecified or reserved combinations should not be transmitted.	R/W	00001
1. R/W = Read/Write RO = Read Only 2. The default value of bit 4.8 is determined by pin FDE AND'ed with pin MF4. 3. The default value of bit 4.7 is determined by pin MF4. 4. The default value of bit 4.6 is determined by pin FDE AND'ed with pin CFG1. 5. The default value of bit 4.5 is determined by pin CFG1.				

Table 50. Auto Negotiation Link Partner Ability Register (Address 5)

Bit	Name	Description	Type <sup>1</sup>	Default
5.15	Next Page	1 = Link Partner has ability to send multiple pages. 0 = Link Partner has no ability to send multiple pages.	RO	N/A
5.14	Acknowledge	1 = Link Partner has received Link Code Word from LXT970A. 0 = Link Partner has not received Link Code Word from LXT970A.	RO	N/A
5.13	Remote Fault	1 = Remote fault. 0 = No remote fault.	RO	N/A
5.12:11	Reserved	Ignore on read.	RO	N/A
5.10	Pause	1 = Pause operation is enabled for link partner. 0 = Pause operation is disabled.	RO	N/A
5.9	100BASE-T4	1 = Link Partner is 100BASE-T4 capable. 0 = Link Partner is not 100BASE-T4 capable.	RO	N/A
5.8	100BASE-TX full-duplex	1 = Link Partner is 100BASE-TX full-duplex capable. 0 = Link Partner is not 100BASE-TX full-duplex capable.	RO	N/A
5.7	100BASE-TX	1 = Link Partner is 100BASE-TX capable. 0 = Link Partner is not 100BASE-TX capable.	RO	N/A
5.6	10BASE-T full-duplex	1 = Link Partner is 10BASE-T full-duplex capable. 0 = Link Partner is not 10BASE-T full-duplex capable.	RO	N/A
5.5	10BASE-T	1 = Link Partner is 10BASE-T capable. 0 = Link Partner is not 10BASE-T capable.	RO	N/A
5.4:0	Selector Field S[4:0]	<00001> = IEEE 802.3 <00010> = IEEE 802.9 ISLAN-16T <00000> = Reserved for future Auto-Negotiation development <11111> = Reserved for future Auto-Negotiation development Unspecified or reserved combinations shall not be transmitted.	RO	N/A
1. RO = Read Only				

**Table 51. Auto Negotiation Expansion (Address 6)**

Bit	Name	Description	Type <sup>1</sup>	Default
6.15:5	Reserved	Ignore.	RO	0
6.4	Parallel Detection Fault	1 = Parallel detection fault has occurred. 0 = Parallel detection fault has not occurred.	RO/ LH	0
6.3	Link Partner Next Page Able	1 = Link partner is next page able. 0 = Link partner is not next page able.	RO	0
6.2	Next Page Able	Not Supported.	RO	0
6.1	Page Received	1 = 3 identical and consecutive link code words have been received from link partner. 0 = 3 identical and consecutive link code words have not been received from link partner.	RO/ LH	0
6.0	Link Partner Auto Neg Able	1 = Link partner is auto-negotiation able. 0 = Link partner is not auto-negotiation able.	RO	0
1. RO = Read Only LH = Latching High (This bit remains High until read, and then returns Low).				

**Table 52. Mirror Register (Address 16, Hex 10)**

Bit	Name	Description	Type <sup>1</sup>	Default
16.15:0	User Defined	This register is intended for use in checking the MII serial port and has no effect on chip operation.	R/W	0
1. R/W = Read /Write				

**Table 53. Interrupt Enable Register (Address 17, Hex 11)**

Bit	Name	Description	Type <sup>1</sup>	Default
17.15:4	Reserved	Write as 0; ignore on read.	R/W	N/A
17.3	MIIDRVLVL	1 = Reduced MII driver levels. Pull-down strength of the MII driver is reduced by a factor of 10, and the pull-up strength is reduced by a factor of 8. Reduced driver levels on the MII I/O pins are recommended for managed multi-port applications. 0 = High-strength MII driver levels that can effectively source 50 - 60 mA. Series termination resistors (55Ω) are recommended on all output signals when using this level to avoid undershoot or overshoot.	R/W	0
17.2	LNK CRITERIA	1 = Enhanced link loss criteria. Link loss criteria is independent of symbol error rate. Loss of scrambler lock for more than 1 - 2 msec will bring the link down. Link up criteria is based on symbol error rate. 0 = Standard link criteria. Both link up and link loss are based on symbol error rate.	R/W	0
17.1	INTEN	1 = Enable interrupts. Must be enabled for bit 17.0 or 19.12 to be effective. 0 = Disable interrupts.	R/W	0
17.0	TINT	1 = Forces MDINT Low and sets bit 18.15 = 1. Also forces interrupt pulse on MDIO when bit 19.12 = 1. 0 = Normal operation. This bit is ignored unless the interrupt function is enabled (17.1 = 1).	R/W	0

1. R/W = Read /Write

**Table 54. Interrupt Status Register (Address 18, Hex 12)**

Bit	Name	Description	Type <sup>1</sup>	Default
18.15	MINT	1 = Indicates MII interrupt pending. 0 = Indicates no MII interrupt pending. This bit is cleared by reading Register 1 followed by reading Register 18.	RO	N/A
18.14	XTALOK	1 = Indicates that the LXT970A is fully powered up and the on-chip clocks are stable. 0 = Indicates that XTAL circuit is not stable.	RO	0
18.13:0	Reserved	Ignore	RO	0

1. RO = Read Only

**Table 55. Configuration Register (Address 19, Hex 13)**

Bit	Name	Description	Type <sup>1</sup>	Default															
19.15	Reserved	Write as 0; ignore on read.	R/W	N/A															
19.14	Txmit Test (100BASE-TX)	1 = 100BASE-T transmit test enabled, LXT970A transmits data regardless of link status. This function is the analog of the link test function (19.8) for 100BASE-TX. 0 = Normal operation.	R/W	0															
19.13	Repeater Mode	1 = Enable Repeater Mode. 0 = Enable DTE Mode.	R/W	Note 2															
19.12	MDIO_INT	1 = Enable interrupt signaling on MDIO (if 17.1 = 1). 0 = Normal operation (MDIO Interrupt disabled). Bit is ignored unless the interrupt function is enabled (17.1 = 1).	R/W	0															
19.11	TP Loopback (10BASE-T)	1 = Disable 10BT TP Loopback. Data transmitted by the MAC will not loopback to the RXD, RX_DV, and CRS pins. 0 = Enable 10BT TP Loopback - Preamble, SFD, and data are directly looped back to the MII.	R/W	0															
19.10	SQE (10BASE-T)	1 = Enable SQE. 0 = Disable SQE (Default).	R/W	0															
19.9	Jabber (10BASE-T)	1 = Disable jabber. 0 = Normal operation (jabber enabled).	R/W	0															
19.8	Link Test (10BASE-T)	1 = Disable 10BASE-T link integrity test. 0 = Normal operation (10BASE-T link integrity test enabled).	R/W	Note 3															
19.7:6	LEDC Programming bits	Determine condition indicated by LEDC. <table border="1"> <thead> <tr> <th>bit 7</th> <th>bit 6</th> <th>Description</th> </tr> </thead> <tbody> <tr> <td>0</td> <td>0</td> <td>LEDC indicates collision</td> </tr> <tr> <td>0</td> <td>1</td> <td>LEDC is off</td> </tr> <tr> <td>1</td> <td>0</td> <td>LEDC indicates activity.</td> </tr> <tr> <td>1</td> <td>1</td> <td>LEDC is continuously on (for diagnostic use).</td> </tr> </tbody> </table>	bit 7	bit 6	Description	0	0	LEDC indicates collision	0	1	LEDC is off	1	0	LEDC indicates activity.	1	1	LEDC is continuously on (for diagnostic use).	R/W	0,0
bit 7	bit 6	Description																	
0	0	LEDC indicates collision																	
0	1	LEDC is off																	
1	0	LEDC indicates activity.																	
1	1	LEDC is continuously on (for diagnostic use).																	
19.5	Advance TX Clock	1 = TX clock is advanced relative to TXD<4:0> and TX_ER by 1/2 TX_CLK cycle. 0 = Normal operation.	R/W	0															
19.4	5B Symbol/ (100BASE-X only) 4B Nibble	1 = 5-bit Symbol Mode (Bypass encoder/decoder); RXD<4:0> symbol data is not aligned. 0 = 4-bit Nibble Mode (Normal operation).	R/W	Note 4															
19.3	Scrambler (100BASE-X only)	1 = Bypass transmit scrambler and receive descrambler. 0 = Normal operation (scrambler and descrambler enabled). In FX mode, the LXT970A <i>automatically</i> bypasses the Scrambler. <i>Selecting</i> Scrambler bypass in FX mode causes the LXT970A to also bypass the 4B/5B encoder and enable Symbol mode MII operation.	R/W	Note 5															

1. R/W = Read/Write
2. The default value of bit 19.13 is determined by pin MF1.
3. If auto-negotiation is disabled, the default value of bit 19.8 is determined by pin CFG1. If auto-neg is enabled, the default value of bit 19.8 = 0.
4. The default value of bit 19.4 is determined by pin MF2 Operation.
5. The default value of bit 19.3 is determined by pin MF3 Operation.
6. If auto-negotiation is disabled, default value of bit 19.2 is determined by pin MF4. If auto-negotiation is enabled, default value of bit 19.2 = 0.

Table 55. Configuration Register (Address 19, Hex 13) (Continued)

Bit	Name	Description	Type <sup>1</sup>	Default
19.2	100BASE-FX	1 = Enable 100BASE fiber interface. 0 = Enable 100BASE twisted-pair interface.	R/W	Note 6
19.1	Reserved	Write as 0; Ignore on read.	R/W	0
19.0	Transmit Disconnect	1 = Disconnect TP transmitter from line. 0 = Normal operation.	R/W	0

1. R/W = Read/Write  
2. The default value of bit 19.13 is determined by pin MF1.  
3. If auto-negotiation is disabled, the default value of bit 19.8 is determined by pin CFG1. If auto-neg is enabled, the default value of bit 19.8 = 0.  
4. The default value of bit 19.4 is determined by pin MF2 Operation.  
5. The default value of bit 19.3 is determined by pin MF3 Operation.  
6. If auto-negotiation is disabled, default value of bit 19.2 is determined by pin MF4. If auto-negotiation is enabled, default value of bit 19.2 = 0.

Table 56. Chip Status Register (Address 20, Hex 14)

Bit	Name	Description	Type <sup>1</sup>	Default
20.15:14	Reserved	Ignore on read.	RO	N/A
20.13	Link	1 = Link is up. 0 = Link is down. Link bit 20.13 is a duplicate of bit 1.2, except that it is a dynamic indication, whereas bit 1.2 latches Low.	RO	0
20.12	Duplex Mode	1 = Full-duplex. 0 = Half-duplex.	RO	Note 2
20.11	Speed	1 = 100 Mbps operation. 0 = 10 Mbps operation.	RO	Note 2
20.10	Reserved	Ignore on read.	RO	N/A
20.9	Auto-Negotiation Complete	1 = Auto-negotiation process complete. 0 = Auto-negotiation process not complete. Auto-Negotiation Complete bit 20.9 is a duplicate of bit 1.5.	RO/LH	0
20.8	Page Received	1 = Three identical and consecutive link code words have been received. 0 = Three identical and consecutive link code words have not been received. Page Received bit 20.8 is a duplicate of bit 6.1	RO/LH	0
20.7	Reserved	Ignore on read.	RO	0
20.6	Reserved	Ignore on read.	RO	0
20.5	Reserved	Ignore on read.	RO	N/A
20.4	Reserved	Ignore on read.	RO	N/A
20.3	Reserved	Ignore on read.	RO	N/A
20.2	Low-Voltage	1 = Low-voltage fault on VCC has occurred. 0 = No fault.	RO	N/A
20.1	Reserved	Ignore on read.	RO	N/A
20.0	Reserved	Ignore on read.	RO	N/A

1. RO = Read Only  
LH = Latching High (This bit remains High until read, and then returns Low).  
2. Bits 20.12 and 20.11 reflect the current operating mode of the LXT970A.



## 6.0 Mechanical Specifications

Figure 38. 64-Pin QFP Package Diagram

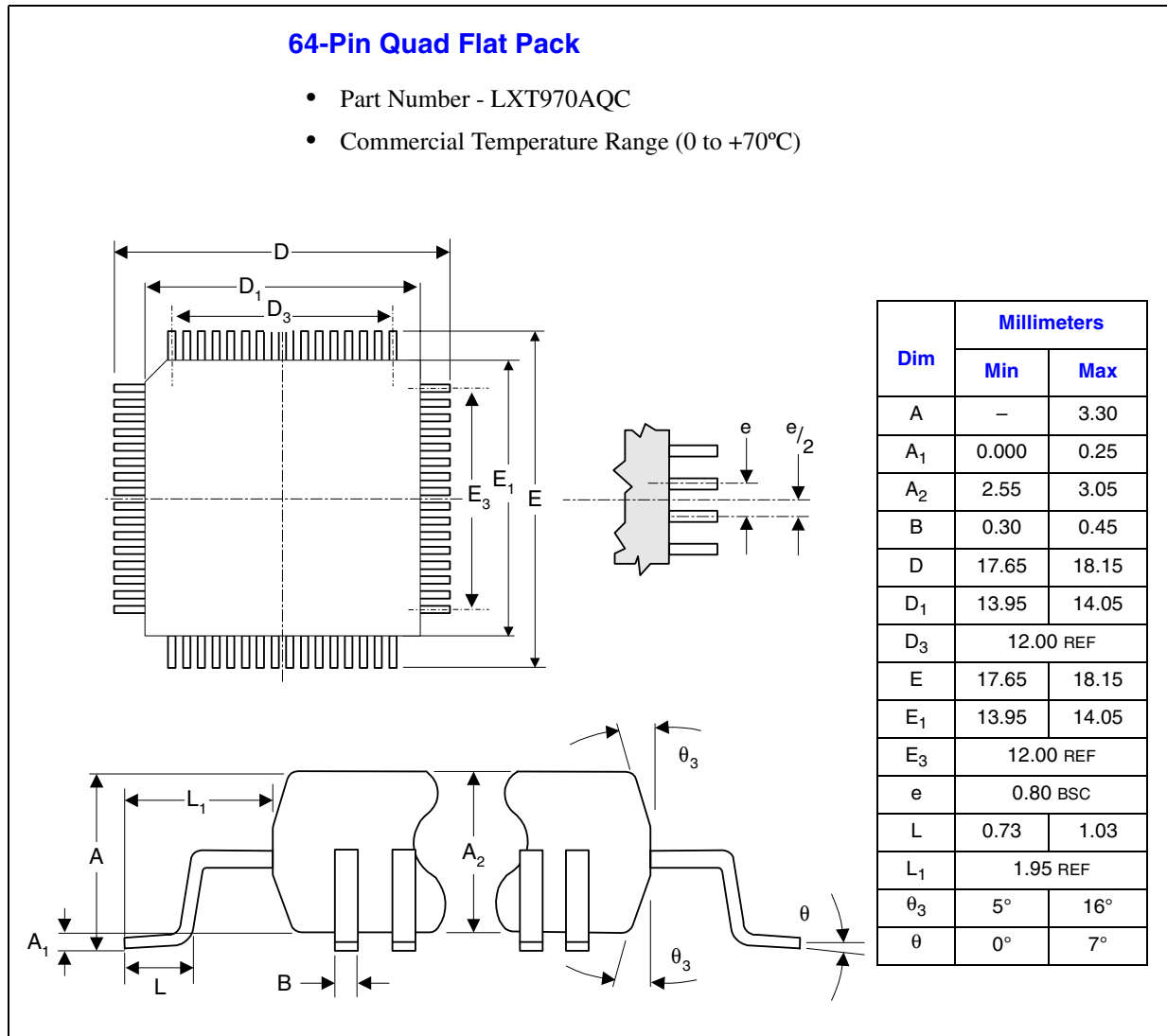


Figure 39. 64-Pin TQFP Package Diagram

