

General Description

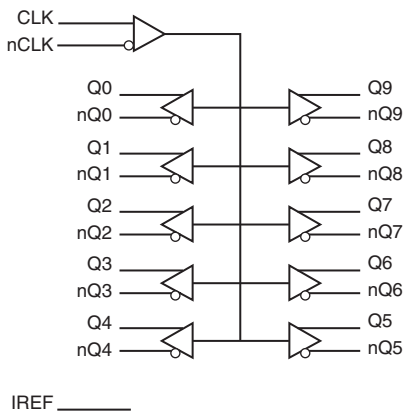
The ICS851010 is a 1-to-10 Differential HCSL Fanout Buffer. The ICS851010 is designed to translate any differential signal levels to differential HCSL output levels. An external reference resistor is used to set the value of the current supplied to an external load. The load resistor value is chosen to equal the value of the characteristic line impedance of 50Ω. The ICS851010 is characterized at an operating supply voltage of 3.3V.

The differential HCSL outputs, accurate crossover voltage and symmetric duty cycle makes the ICS851010 ideal for interfacing to PCI Express and FBDIMM applications.

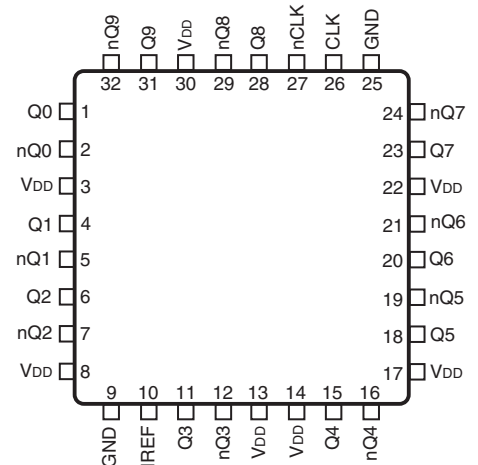
Features

- Ten differential HCSL outputs
- Translates any differential input signal (LVPECL, LVHSTL, LVDS, HCSL) to HCSL levels without external bias networks
- Maximum output frequency: 250MHz
- Output skew: 165ps (maximum)
- Part-to-part skew: 250ps (maximum)
- Output drift: 140ps (maximum)
- V_{OH} : 850mV (maximum)
- Full 3.3V supply voltage
- Available in both standard (RoHS 5) and lead-free (RoHS 6) packages
- 0°C to 70°C ambient operating temperature

Block Diagram



Pin Assignment



ICS851010

32-Lead LQFP

7mm x 7mm x 1.4mm package body

Y Package

Top View

Table 1. Pin Descriptions

Number	Name	Type	Description
1, 2	Q0, nQ0	Output	Differential output pair. Differential HCSL interface levels.
3, 8, 13, 14, 17, 22, 30	V _{DD}	Power	Positive supply pins.
4, 5	Q1, nQ1	Output	Differential output pair. Differential HCSL interface levels.
6, 7	Q2, nQ2	Output	Differential output pair. Differential HCSL interface levels.
9, 25	GND	Power	Power supply ground.
10	IREF	Input	Reference current input. Used to set the output current. Connect to 950Ω resistor to ground.
11, 12	Q3, nQ3	Output	Differential output pair. Differential HCSL interface levels.
15, 16	Q4, nQ4	Output	Differential output pair. Differential HCSL interface levels.
18, 19	Q5, nQ5	Output	Differential output pair. Differential HCSL interface levels.
20, 21	Q6, nQ6	Output	Differential output pair. Differential HCSL interface levels.
23, 24	Q7, nQ7	Output	Differential output pair. Differential HCSL interface levels.
26	CLK	Input	Non-inverting differential input.
27	nCLK	Input	Inverting differential clock input.
28, 29	Q8, nQ8	Output	Differential output pair. Differential HCSL interface levels.
31, 32	Q9, nQ9	Output	Differential output pair. Differential HCSL interface levels.

Output Driver Current

The ICS851010 outputs are HCSL differential current drive with the current being set with a resistor from I_{REF} to ground. For a *single load* and a 50Ω pc board trace, the drive current would typically be set with a R_{REF} of 950Ω which produces an I_{REF} of 1.16mA. The I_{REF} is multiplied by a current mirror to an output drive of 12*1.16mA or 13.90mA. See *Figure 1* for current mirror and output drive details.

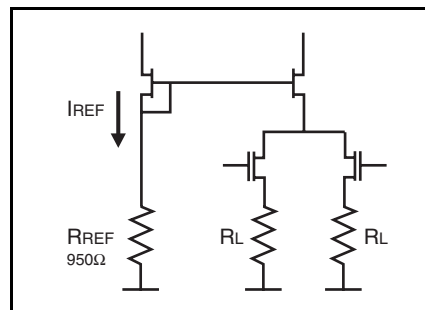


Figure 1. HCSL Current Mirror and Output Drive

Absolute Maximum Ratings

NOTE: Stresses beyond those listed under *Absolute Maximum Ratings* may cause permanent damage to the device. These ratings are stress specifications only. Functional operation of product at these conditions or any conditions beyond those listed in the *DC Characteristics* or *AC Characteristics* is not implied. Exposure to absolute maximum rating conditions for extended periods may affect product reliability.

Item	Rating
Supply Voltage, V_{DD}	4.6V
Inputs, V_I	-0.5V to $V_{DD} + 0.5V$
Outputs, I_O	-0.5V to $V_{DD} + 0.5V$
Package Thermal Impedance, θ_{JA}	65.7°C/W (0 mps)
Storage Temperature, T_{STG}	-65°C to 150°C

DC Electrical Characteristics

Table 2A. Power Supply DC Characteristics, $V_{DD} = 3.3V \pm 5\%$, $T_A = 0^\circ C$ to $70^\circ C$

Symbol	Parameter	Test Conditions	Minimum	Typical	Maximum	Units
V_{DD}	Core Supply Voltage		3.135	3.3	3.465	V
I_{DD}	Power Supply Current; NOTE 1				105	mA

NOTE 1: Measured using 200MHz input frequency.

Table 2B. Differential DC Characteristics, $V_{DD} = 3.3V \pm 5\%$, $T_A = 0^\circ C$ to $70^\circ C$

Symbol	Parameter		Test Conditions	Minimum	Typical	Maximum	Units
I_{IH}	Input High Current	CLK, nCLK	$V_{DD} = V_{IN} = 3.465V$			5	μA
I_{IL}	Input Low Current	CLK, nCLK	$V_{DD} = 3.465V, V_{IN} = 0V$			5	μA
V_{PP}	Peak-to-Peak Voltage; NOTE 1			0.15		1.3	V
V_{CMR}	Common Mode Input Voltage; NOTE 1, 2			GND + 0.5		$V_{DD} - 0.85$	V

NOTE 1: V_{IL} should not be less than -0.3V.

NOTE 2: Common mode input voltage is defined as V_{IH} .

AC Electrical Characteristics

Table 3. HCSL AC Characteristics, $V_{DD} = 3.3V \pm 5\%$, $T_A = 0^\circ C$ to $70^\circ C$

Symbol	Parameter	Test Conditions	Minimum	Typical	Maximum	Units
f_{MAX}	Output Frequency				250	MHz
t_{PD}	Propagation Delay; NOTE 1	Measured on at V_{OX}	1.5		2.75	ns
$t_{sk(o)}$	Output Skew; NOTE 2, 3	Measured on at V_{OX}			165	ps
$t_{sk(pp)}$	Part-to-Part Skew; NOTE 3, 4				250	ps
f_{jit}	Buffer Additive Phase Jitter, RMS	CLK = 200MHz, Integration Range: 12kHz – 30MHz		0.24		ps
$t_{sk(drift)}$	Output Drift; NOTE 5				140	ps
V_{MAX}	Absolute Max Output Voltage; NOTE 6	$f \leq 150MHz$	500		850	mV
V_{MIN}	Absolute Min Output Voltage; NOTE 6	$f \leq 150MHz$	-150		150	mV
V_{CROSS}	Absolute Crossing Voltage; NOTE 7, 8, 9		250		550	mV
ΔV_{CROSS}	Total Variation of V_{CROSS} over all edges; NOTE 7, 8, 10				140	mV
t_R / t_F	Rise/Fall Edge Rate; NOTE 11, 12		0.6		4.0	V/ns
odc	Output Duty Cycle; NOTE 13		47		53	%

NOTE: Electrical parameters are guaranteed over the specified ambient operating temperature range, which is established when the device is mounted in a test socket with maintained transverse airflow greater than 500 lfm. The device will meet specifications after thermal equilibrium has been reached under these conditions.

NOTE: Current adjust set for $V_{OH} = 0.7V$. Measurements refer to PCIEX outputs only.

NOTE: Characterized using an R_{REF} value of 950Ω resistor.

NOTE 1: Measured from the differential input cross point to the differential output crossing point.

NOTE 2: Defined as skew between outputs at the same supply voltage and with equal load conditions. Measured at the differential output cross point.

NOTE 3: This parameter is defined in accordance with JEDEC Standard 65.

NOTE 4: Defined as skew between outputs on different devices operating at the same supply voltage, same frequency, same temperature and with equal load conditions. Using the same type of inputs on each device, the outputs are measured at the differential cross point.

NOTE 5: Output Drift is measured as the change in the time placement of the differential cross point for each output on a given device due to a change in temperature and supply voltage. Measured at the differential cross point.

NOTE 6: Measurement using $R_{REF} = 950\Omega$, $R_{LOAD} = 50\Omega$.

NOTE 7: Measurement taken from single-ended waveform.

NOTE 8: Measured at crossing point where the instantaneous voltage value of the rising edge of Q_x equals the falling edge of nQ_x .

See Parameter Measurement Information Section.

NOTE 9: Refers to the total variation from the lowest crossing point to the highest, regardless of which edge is crossing. Refers to all crossing points for this measurement. See Parameter Measurement Information Section.

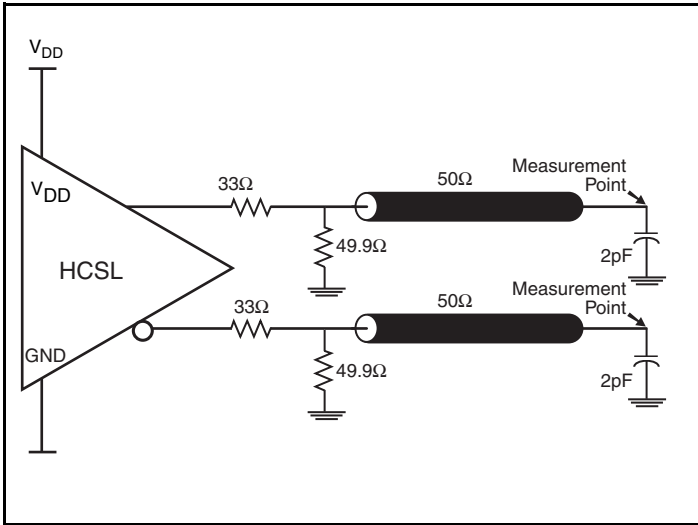
NOTE 10: Defined as the total variation of all crossing voltage of rising Q_x and falling nQ_x . This is the maximum allowed variance in the V_{CROSS} for any particular system. See Parameter Measurement Information Section.

NOTE 11: Measurement taken from differential waveform.

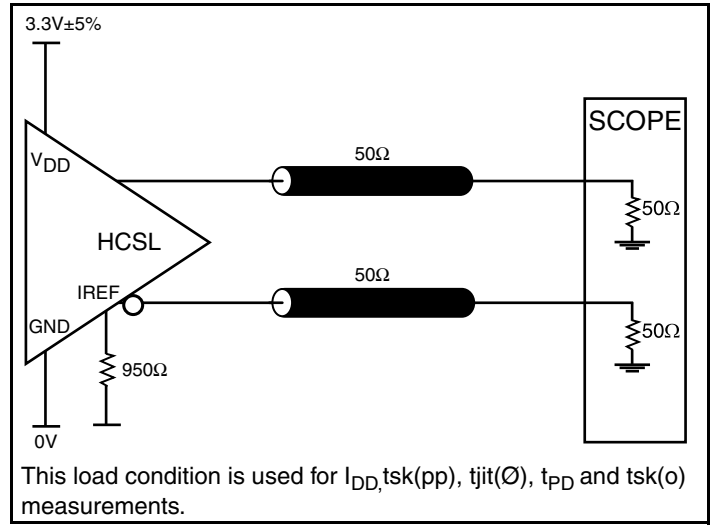
NOTE 12: Measurement from -150mV to +150mV on the differential waveform (derived from Q_x minus nQ_x). The signal must be monotonic through the measurement region for rise and fall time. The 300mV measurement window is centered on the differential zero crossing.

NOTE 13: Assuming 50% input duty cycle. Data taken at $f \leq 200MHz$, unless otherwise specified.

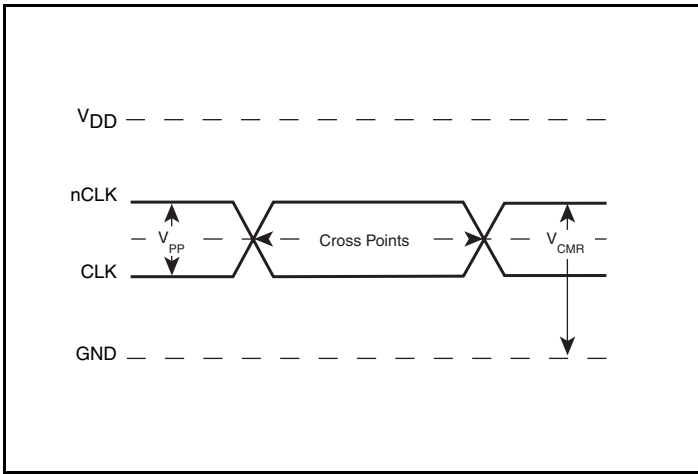
Parameter Measurement Information



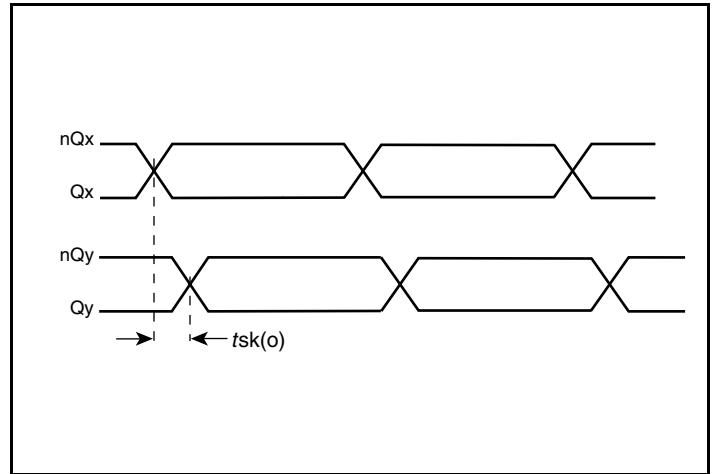
HCSL Output Load AC Test Circuit



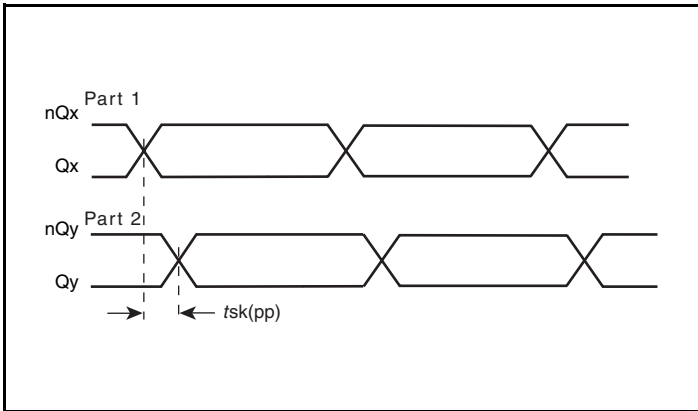
HCSL Output Load AC Test Circuit



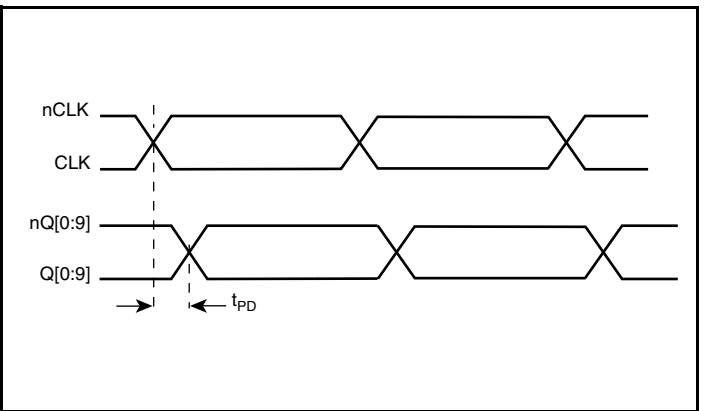
Differential Input Levels



Output Skew

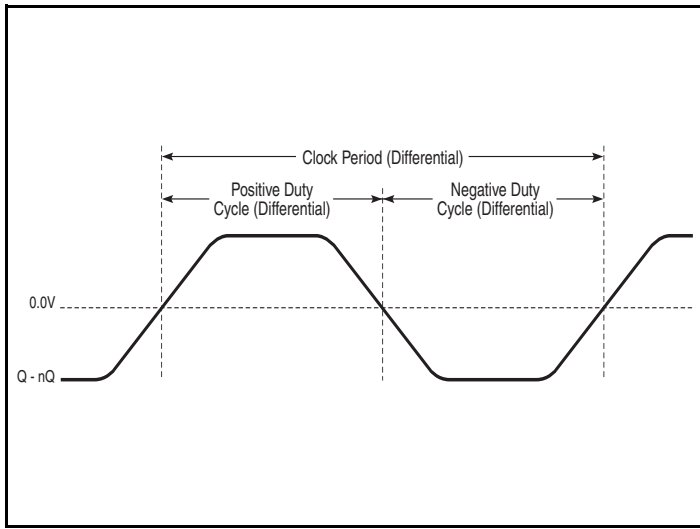


Part-to-Part Skew

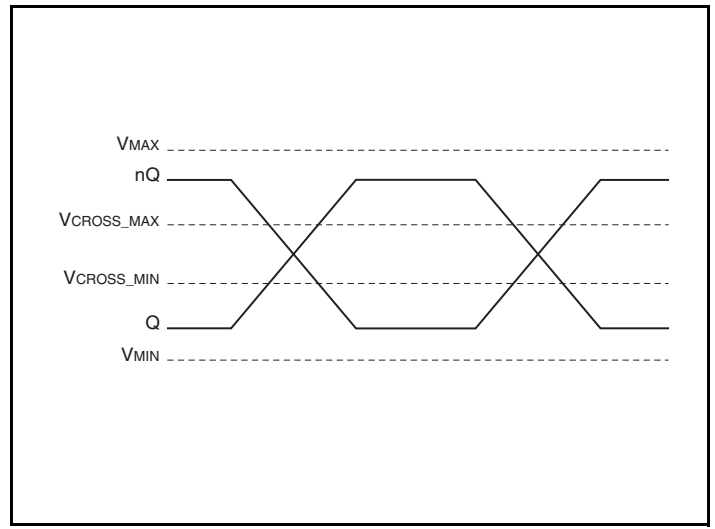


Propagation Delay

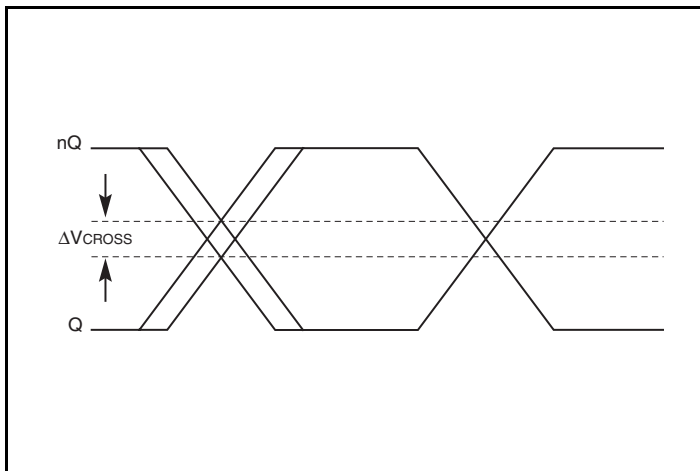
Parameter Measurement Information, continued



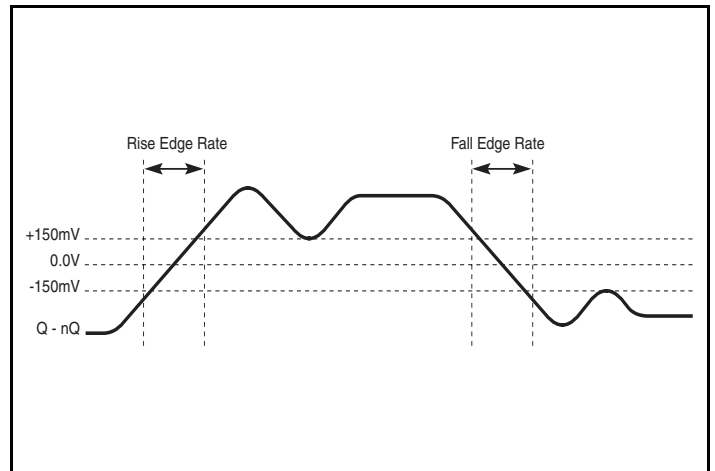
Differential Measurement Points for Duty Cycle/Period



Single-ended Measurement Points for Absolute Cross Point and Swing



Single-ended Measurement Points for Delta Cross Point



Differential Measurement Points for Rise/Fall Edge Rate

Applications Information

Recommendations for Unused Output Pins

Outputs:

Differential Outputs

All unused differential outputs can be left floating. We recommend that there is no trace attached. Both sides of the differential output pair should either be left floating or terminated.

Wiring the Differential Input to Accept Single-Ended Levels

Figure 2 shows how a differential input can be wired to accept single ended levels. The reference voltage $V_{REF} = V_{DD}/2$ is generated by the bias resistors R1 and R2. The bypass capacitor (C1) is used to help filter noise on the DC bias. This bias circuit should be located as close to the input pin as possible. The ratio of R1 and R2 might need to be adjusted to position the V_{REF} in the center of the input voltage swing. For example, if the input clock swing is 2.5V and $V_{DD} = 3.3V$, R1 and R2 value should be adjusted to set V_{REF} at 1.25V. The values below are for when both the single ended swing and V_{DD} are at the same voltage. This configuration requires that the sum of the output impedance of the driver (R_o) and the series resistance (R_s) equals the transmission line impedance. In addition, matched termination at the input will attenuate the signal in half. This can be done in one of two ways. First, R3 and R4 in parallel should equal the transmission

line impedance. For most 50Ω applications, R3 and R4 can be 100Ω. The values of the resistors can be increased to reduce the loading for slower and weaker LVCMOS driver. When using single-ended signaling, the noise rejection benefits of differential signaling are reduced. Even though the differential input can handle full rail LVCMOS signaling, it is recommended that the amplitude be reduced. The datasheet specifies a lower differential amplitude, however this only applies to differential signals. For single-ended applications, the swing can be larger, however V_{IL} cannot be less than -0.3V and V_{IH} cannot be more than $V_{DD} + 0.3V$. Though some of the recommended components might not be used, the pads should be placed in the layout. They can be utilized for debugging purposes. The datasheet specifications are characterized and guaranteed by using a differential signal.

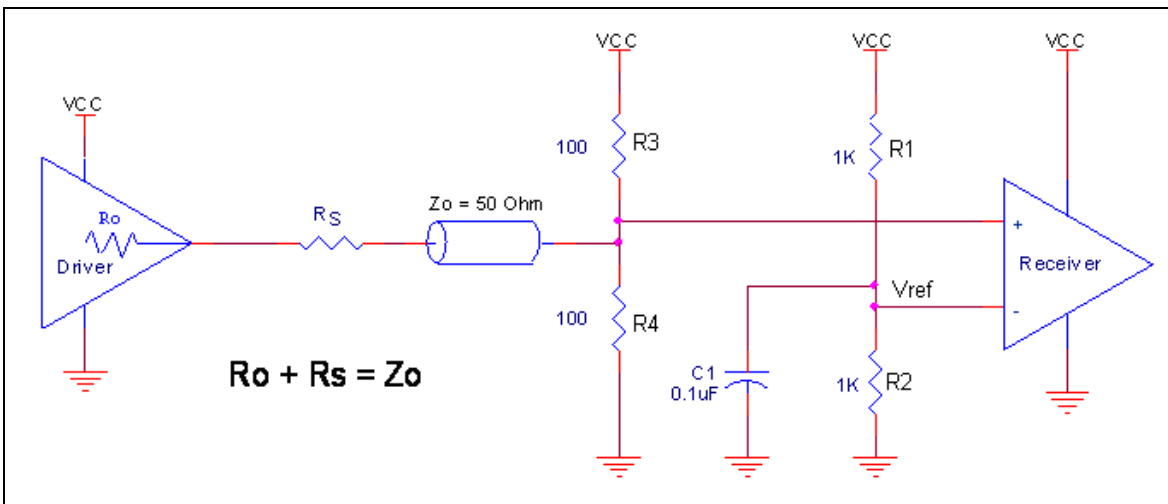


Figure 2. Recommended Schematic for Wiring a Differential Input to Accept Single-ended Levels

Differential Clock Input Interface

The CLK/nCLK accepts HCSSL, LVDS, LVPECL and SSTL and other differential signals. Both differential signals must meet the V_{PP} and V_{CMR} input requirements. *Figures 3A to 3F* show interface examples for the CLK/nCLK input driven by the most common driver types. The input interfaces suggested here are examples only. Please consult

with the vendor of the driver component to confirm the driver termination requirements. For example in Figure 3A, the input termination applies for IDT open emitter LVHSTL drivers. If you are using an LVHSTL driver from another vendor, use their termination recommendation.

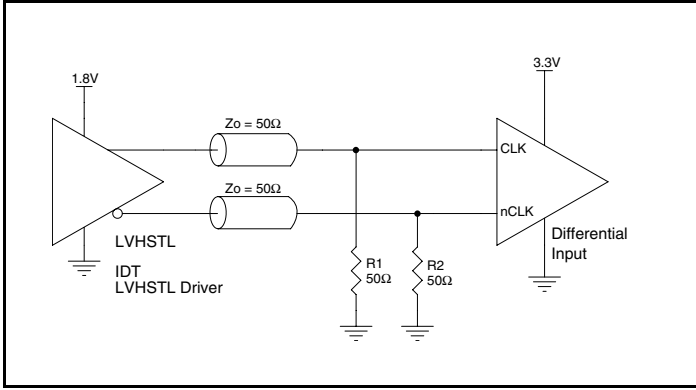


Figure 3A. CLK/nCLK Input Driven by an IDT Open Emitter LVHSTL Driver

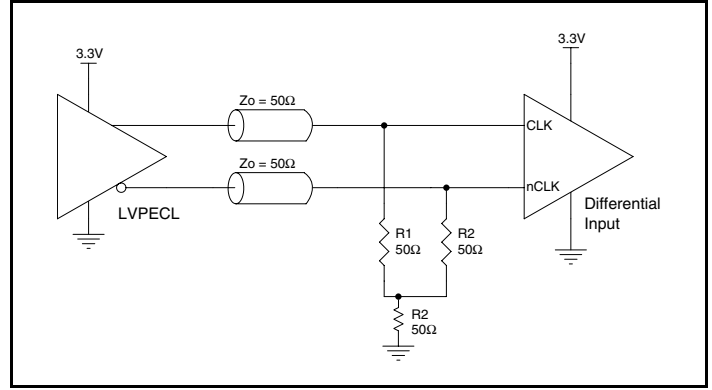


Figure 3B. CLK/nCLK Input Driven by a 3.3V LVPECL Driver

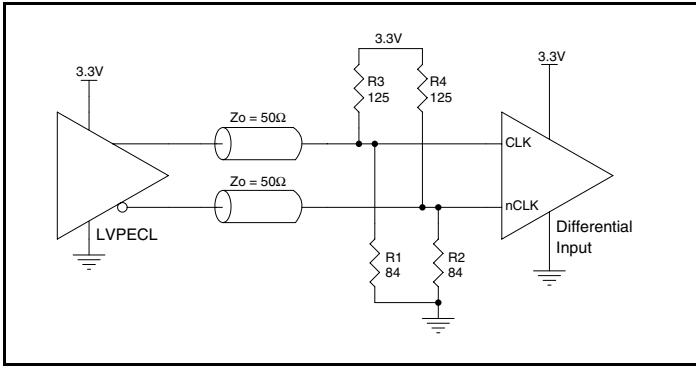


Figure 3C. CLK/nCLK Input Driven by a 3.3V LVPECL Driver

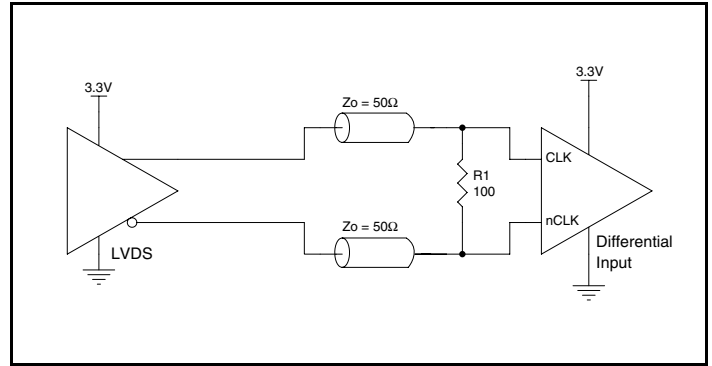


Figure 3D. CLK/nCLK Input Driven by a 3.3V LVDS Driver

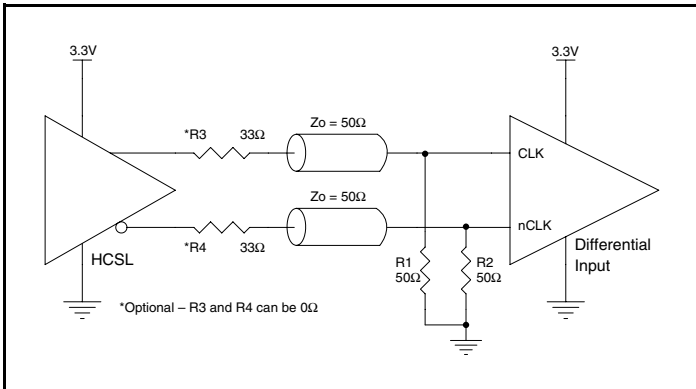


Figure 3E. CLK/nCLK Input Driven by a 3.3V HCSSL Driver

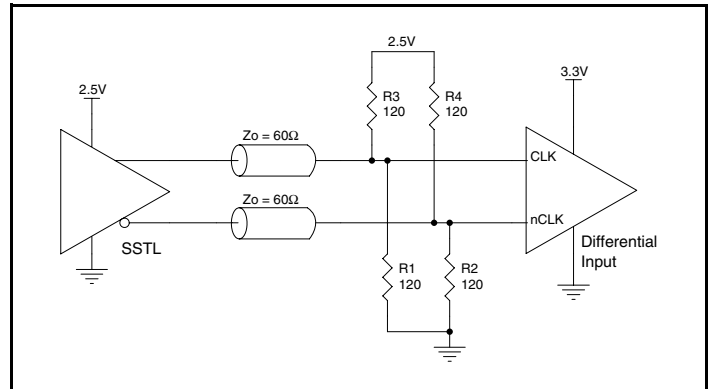


Figure 3F. CLK/nCLK Input Driven by an SSTL Driver

Recommended Termination

Figure 4A is the recommended termination for applications which require the receiver and driver to be on a separate PCB. All traces should be 50Ω impedance.

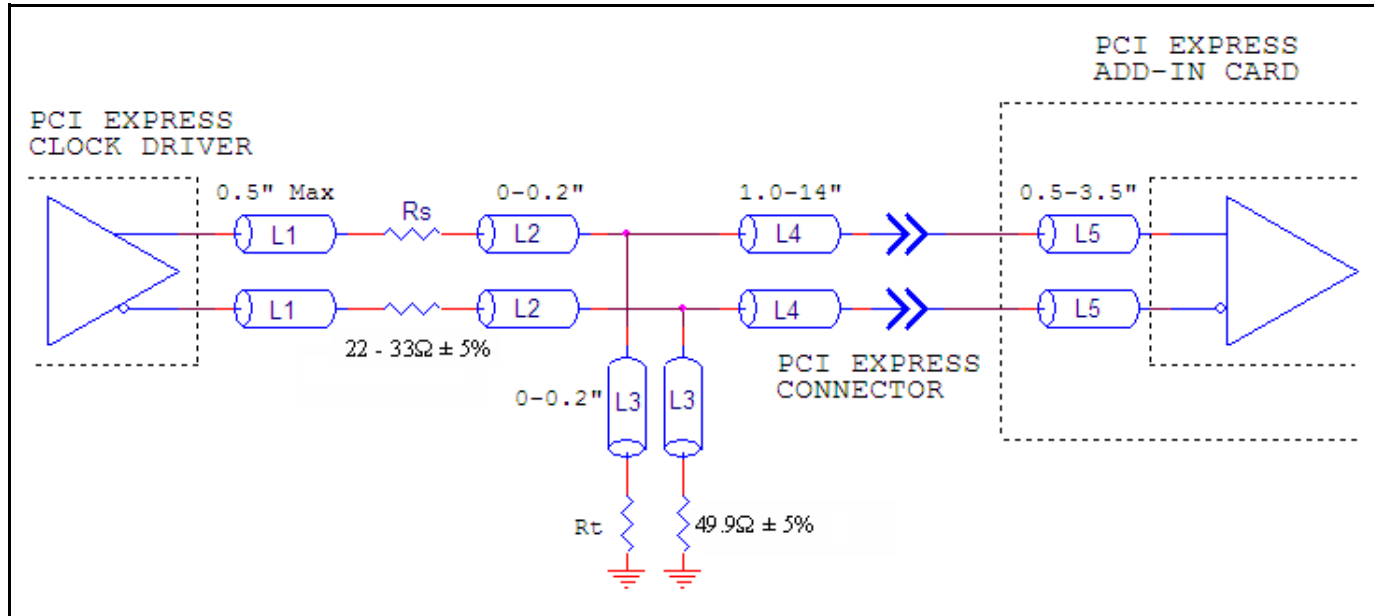


Figure 4A. Recommended Termination

Figure 4B is the recommended termination for applications which require a point to point connection and contain the driver and receiver on the same PCB. All traces should all be 50Ω impedance.

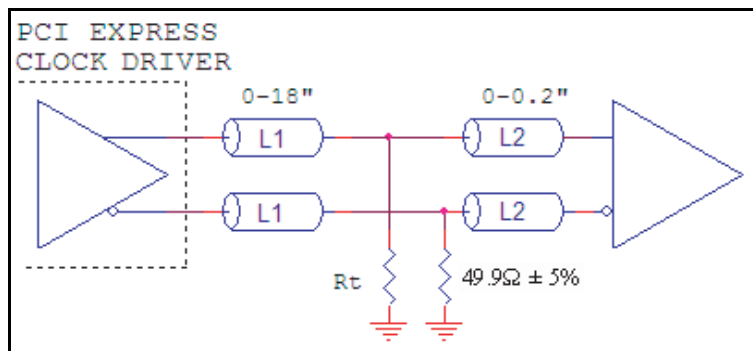


Figure 4B. Recommended Termination

Power Considerations

This section provides information on power dissipation and junction temperature for the ICS851010. Equations and example calculations are also provided.

1. Power Dissipation.

The total power dissipation for the ICS851010 is the sum of the core power plus the power dissipated in the load(s). The following is the power dissipation for $V_{DD} = 3.3V + 5\% = 3.465V$, which gives worst case results.

- Power (core)_{MAX} = $V_{DD_MAX} * I_{DD_MAX} = 3.465V * 105mA = \mathbf{363.825mW}$
- Power (outputs)_{MAX} = **44.5mW/Loaded Output Pair**
If all outputs are loaded, the total power is $10 * 44.5mW = \mathbf{445mW}$

Total Power_{MAX} (3.465V, with all outputs switching) = $363.825mW + 445mW = \mathbf{808.825mW}$

•

2. Junction Temperature.

Junction temperature, T_j , is the temperature at the junction of the bond wire and bond pad directly affects the reliability of the device. The maximum recommended junction temperature is 125°C. Limiting the internal transistor junction temperature, T_j , to 125°C ensures that the bond wire and bond pad temperature remains below 125°C.

The equation for T_j is as follows: $T_j = \theta_{JA} * Pd_{total} + T_A$

T_j = Junction Temperature

θ_{JA} = Junction-to-Ambient Thermal Resistance

Pd_{total} = Total Device Power Dissipation (example calculation is in section 1 above)

T_A = Ambient Temperature

In order to calculate junction temperature, the appropriate junction-to-ambient thermal resistance θ_{JA} must be used. Assuming no air flow and a multi-layer board, the appropriate value is 65.7°C/W per Table 4 below.

Therefore, T_j for an ambient temperature of 70°C with all outputs switching is:

$$70^\circ\text{C} + 0.809\text{W} * 65.7^\circ\text{C/W} = 123.2^\circ\text{C}. \text{ This is below the limit of } 125^\circ\text{C}.$$

This calculation is only an example. T_j will obviously vary depending on the number of loaded outputs, supply voltage, air flow and the type of board (multi-layer).

Table 4. Thermal Resistance θ_{JA} for 32 Lead LQFP, Forced Convection

θ_{JA} by Velocity			
Meters per Second	0	1	2.5
Multi-Layer PCB, JEDEC Standard Test Boards	65.7°C/W	55.9°C/W	52.4°C/W

The purpose of this section is to calculate power dissipation on the IC per HCSL output pair.

HCSL output driver circuit and termination are shown in *Figure 5*.

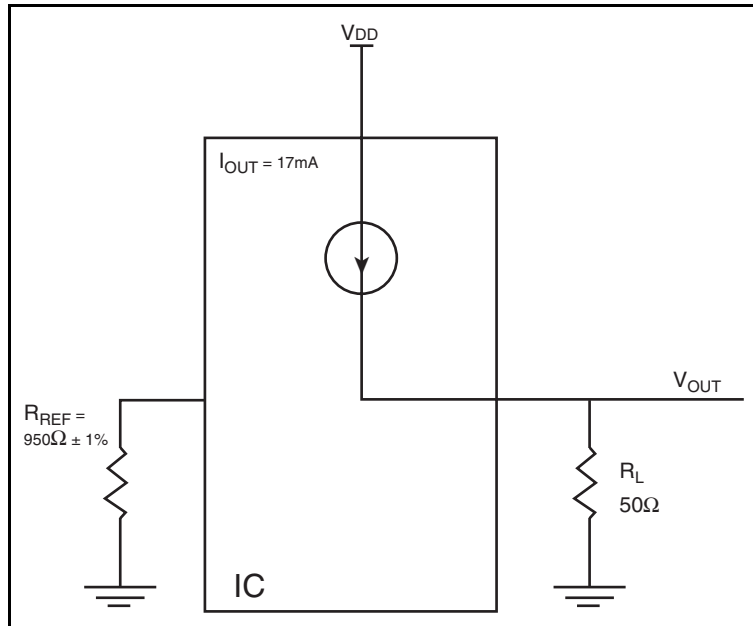


Figure 5. HCSL Driver Circuit and Termination

HCSL is a current steering output which sources a maximum of 17mA of current per output. To calculate worst case on-chip power dissipation, use the following equations which assume a 50Ω load to ground.

The highest power dissipation occurs when V_{DD_MAX} .

$$\text{Power} = (V_{DD_MAX} - V_{OUT}) * I_{OUT}$$

$$\text{since } V_{OUT} = I_{OUT} * R_L$$

$$= (V_{DD_MAX} - I_{OUT} * R_L) * I_{OUT}$$

$$= (3.465V - 17mA * 50\Omega) * 17mA$$

Total Power Dissipation per output pair = **44.5mW**

Reliability Information

Table 5. θ_{JA} vs. Air Flow Table for a 32 Lead LQFP

θ_{JA} vs. Air Flow			
Meters per Second	0	1	2.5
Multi-Layer PCB, JEDEC Standard Test Boards	65.7°C/W	55.9°C/W	52.4°C/W

Transistor Count

The transistor count for ICS851010 is: 843

Package Outline and Package Dimensions

Package Outline - Y Suffix for 32 Lead LQFP

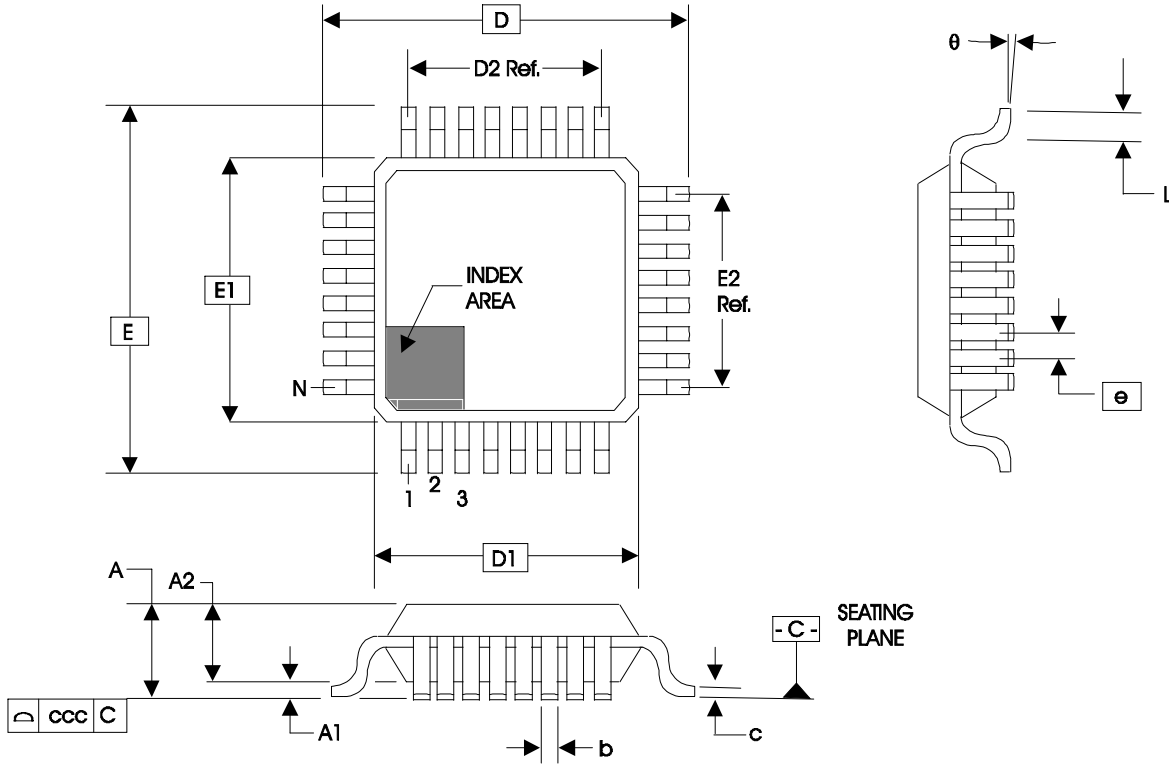


Table 6. Package Dimensions for 32 Lead LQFP

JEDEC Variation: BBA			
All Dimensions in Millimeters			
Symbol	Minimum	Nominal	Maximum
N	32		
A			1.60
A1	0.05		0.15
A2	1.35	1.40	1.45
b	0.30	0.37	0.45
c	0.09		0.20
D & E	9.00 Basic		
D1 & E1	7.00 Basic		
D2 & E2	5.60 Ref.		
e	0.80 Basic		
L	0.45	0.60	0.75
θ	0°		7°
ccc			0.10

Reference Document: JEDEC Publication 95, MS-026

Ordering Information

Table 7. Ordering Information

Part/Order Number	Marking	Package	Shipping Packaging	Temperature
851010AY	ICS851010AY	32 Lead LQFP	Tray	0°C to 70°C
851010AYT	ICS851010AY	32 Lead LQFP	1000 Tape & Reel	0°C to 70°C
851010AYLFF	ICS851010AYL	Lead-Free, 32 Lead LQFP	Tray	0°C to 70°C
851010AYLFT	ICS851010AYL	Lead-Free, 32 Lead LQFP	1000 Tape & Reel	0°C to 70°C

NOTE: Parts that are ordered with an “LF” suffix to the part number are the Pb-Free configuration and are RoHS compliant

While the information presented herein has been checked for both accuracy and reliability, Integrated Device Technology (IDT) assumes no responsibility for either its use or for the infringement of any patents or other rights of third parties, which would result from its use. No other circuits, patents, or licenses are implied. This product is intended for use in normal commercial applications. Any other applications, such as those requiring extended temperature ranges, high reliability or other extraordinary environmental requirements are not recommended without additional processing by IDT. IDT reserves the right to change any circuitry or specifications without notice. IDT does not authorize or warrant any IDT product for use in life support devices or critical medical instruments.

Revision History Sheet

Rev	Table	Page	Description of Change	Date
A	T1	2	Pin Description Table, IREF description corrected 475ohm resistor to 950ohm.	8/2/10
		2	Corrected <i>Output Driver Current and diagram</i> .	
	T3	4	Added note, "Characterized using...".	
		5	Added <i>Propagation Delay</i> diagram and corrected <i>HCSL Output Load AC Test Circuit</i> diagram in Parameter Measurement Information section.	
		7	Updated <i>Wiring the Differential Input to Accept Single-ended Levels</i> .	
		10 -11	Corrected power dissipation calculation and total power dissipation section. Corrected <i>HCSL Driver Circuit Termination</i> diagram.	
		13	Updated <i>Package Outline</i> . Converted datasheet format.	

We've Got Your Timing Solution



6024 Silver Creek Valley Road
San Jose, California 95138

Sales
800-345-7015 (inside USA)
+408-284-8200 (outside USA)
Fax: 408-284-2775
www.IDT.com/go/contactIDT

Technical Support
netcom@idt.com
+480-763-2056

DISCLAIMER Integrated Device Technology, Inc. (IDT) and its subsidiaries reserve the right to modify the products and/or specifications described herein at any time and at IDT's sole discretion. All information in this document, including descriptions of product features and performance, is subject to change without notice. Performance specifications and the operating parameters of the described products are determined in the independent state and are not guaranteed to perform the same way when installed in customer products. The information contained herein is provided without representation or warranty of any kind, whether express or implied, including, but not limited to, the suitability of IDT's products for any particular purpose, an implied warranty of merchantability, or non-infringement of the intellectual property rights of others. This document is presented only as a guide and does not convey any license under intellectual property rights of IDT or any third parties.

IDT's products are not intended for use in life support systems or similar devices where the failure or malfunction of an IDT product can be reasonably expected to significantly affect the health or safety of users. Anyone using an IDT product in such a manner does so at their own risk, absent an express, written agreement by IDT.

Integrated Device Technology, IDT and the IDT logo are registered trademarks of IDT. Other trademarks and service marks used herein, including protected names, logos and designs, are the property of IDT or their respective third party owners.

Copyright 2010. All rights reserved.