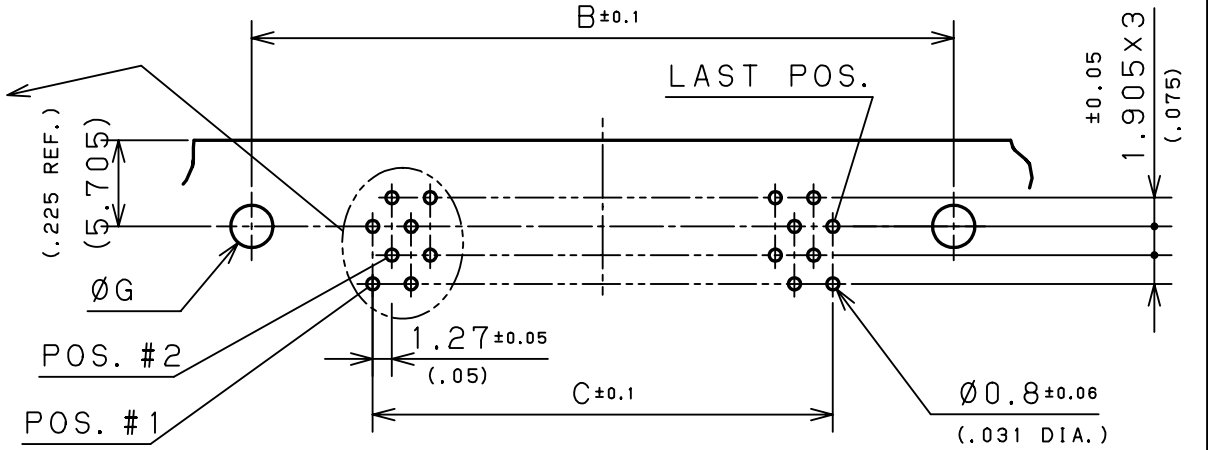
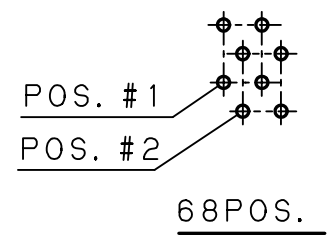
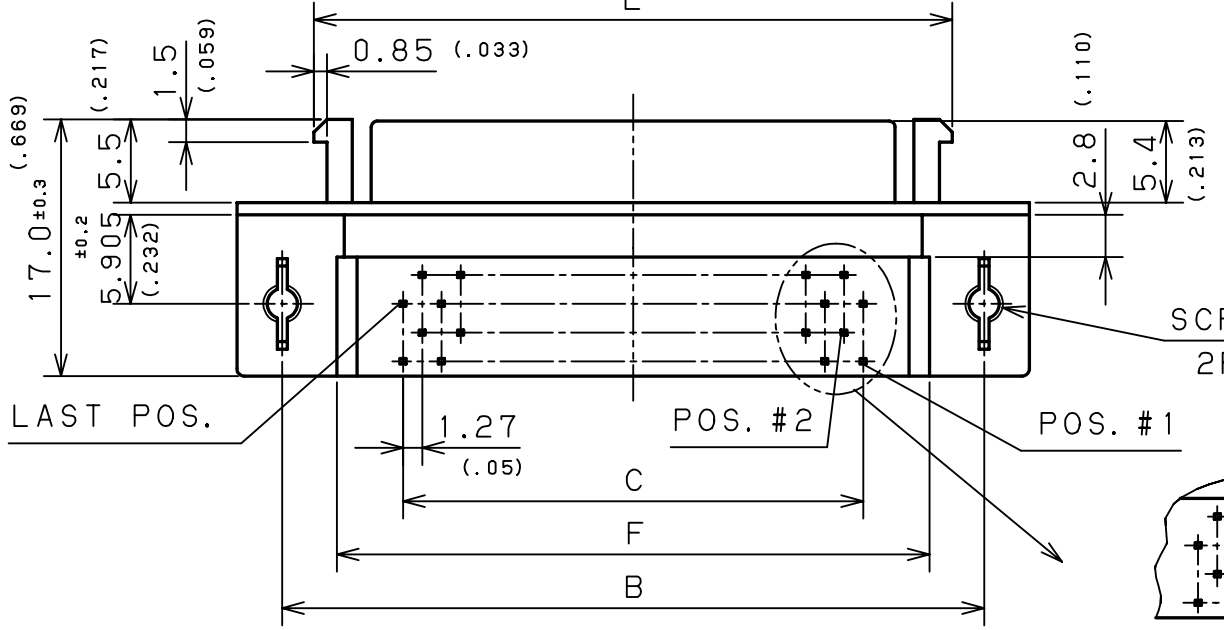
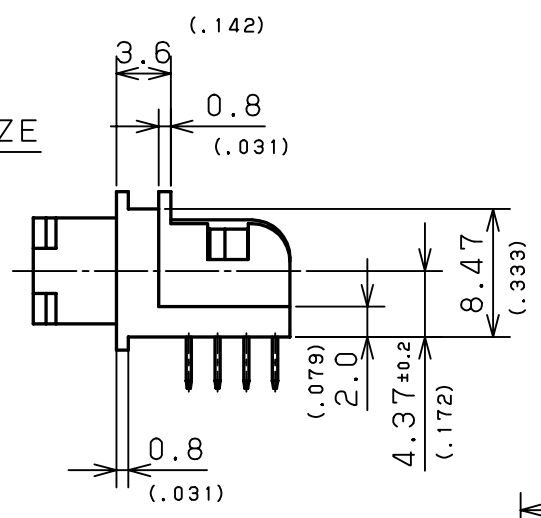
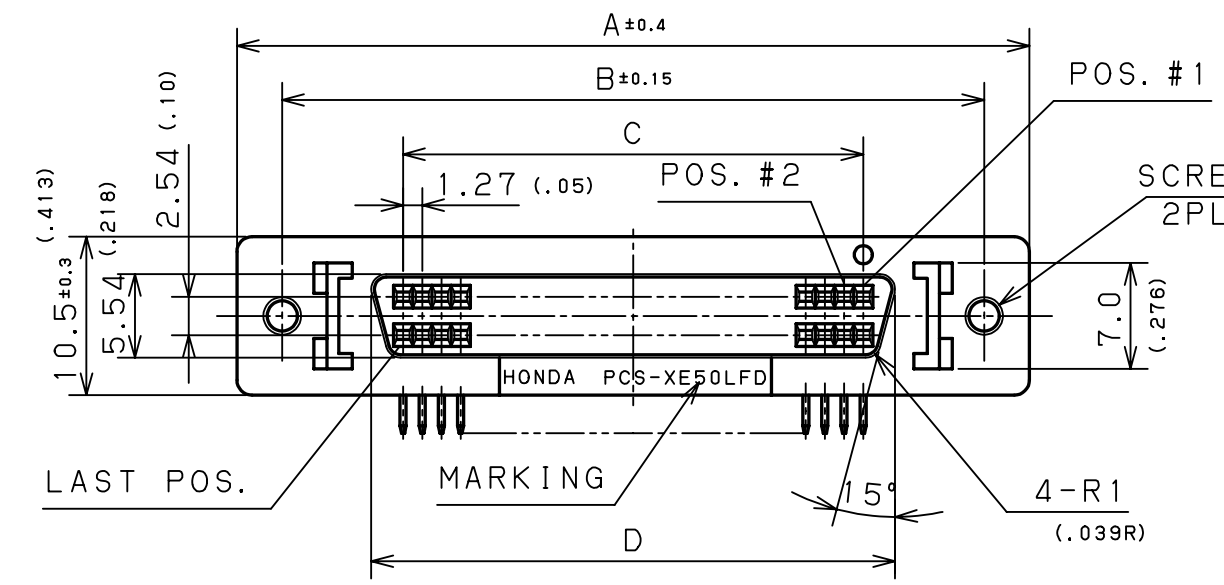
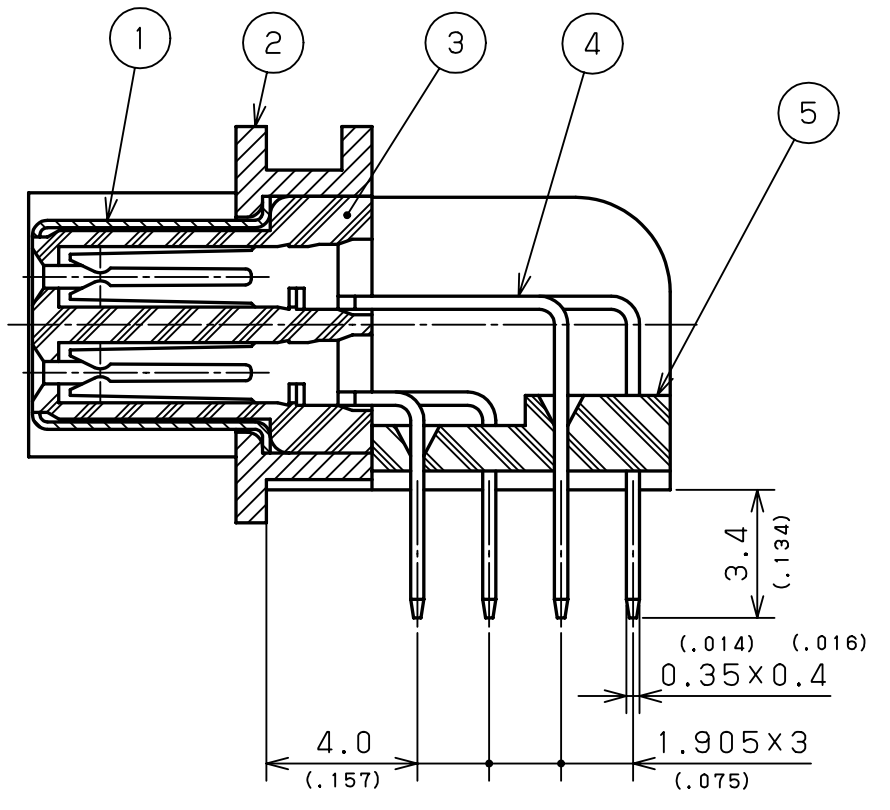


NOTE 1. CONTACT FINISH
GOLD (0.20 μm MIN.) ON
MATING AREA, TIN/LEAD ON
TERMINATION AREA, ALL OVER
NICKEL UNDERPLATED.



P. C. BOARD MOUNTING DIMENSIONS
CONECTOR SIDE
P. C. BOARD THICKNESS: 1.6 mm (.063)

PCS-XE () LFDU2	#2-56UNC	Ø2.5 (.098 DIA.)
PCS-XE () LFDU	#4-40UNC	Ø3.05 (.120 DIA.)
PCS-XE () LFD	M2.5x0.45	Ø2.8 (.110 DIA.)
PART No.	SCREW SIZE	ØG

PART No. PCS-XE50LFDU2
No. OF POS. 68POS.
SCREW SIZE

5	BRACKET	PBT (GF)	1		UL94V-0 BLACK					
4	CONTACT	PHOSPHOR BRONZE	No. OF POS.	NOTE # 1						
3	INSULATOR	PBT (GF)	1		UL94V-0 BLACK					
2	SHELL A	STEEL	1	NI PLATING						
1	SHELL B	ZINC ALLOY	1	NI PLATING						
LTR.	DATE	BY	REV.	DESCRIP	No.	PART NAME	MATERIAL	QTY	FINISH	NOTE

PCS-XE68LFD ()	68	63.9 (2.516)	57.9 (2.280)	1.27x(34-1)=41.91 (1.65)	46.13 (1.816)	53.72 (2.115)	50.71 (1.996)	PCS-XE68LFD
PCS-XE50LFD ()	50	52.5 (2.067)	46.5 (1.831)	1.27x(25-1)=30.48 (1.20)	34.70 (1.366)	42.29 (1.665)	39.28 (1.546)	PCS-XE50LFD
PART No.	No. OF POS.	A	B	C	D	E	F	MARKING

DATE	SCALE	UNIT	3RD. A. P	HONDA TSUSHIN KOGYO CO., LTD.			
JUL. 14. 1994	2 / 1	mm (INCH)					
DR.	DE.	CHK.	CHK.	APP.	NAME	PCS-XE TYPE FEMALE CONNECTOR (SCSI-II)	
S. FURUSAWA	S. FURUSAWA	Y. HIRAI	M. TAKAHASHI	K. TOKUDOME	PART NO.	PCS-XE () LFD ()	