

## Cable socket, self-assembly

### Product description

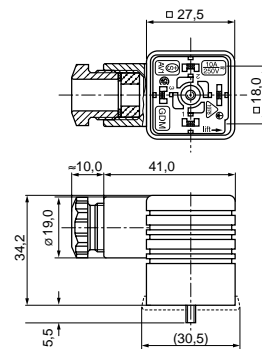
- durable angled connectors, dust and splash protected (IEC 60529 – IP 65)
- vibration-proof locking using a central screw available for tool-free actuation or as a knurled screw
- wide range of cable diameters from 4.5 mm to 14 mm using different PG glands
- patent-protected combiantio terminal for connecting flex wire with wire end ferrules or fixture of fork-type cable shoes/eye directly under the screw head

### Product features

- hydraulic, pneumatic, electromagnetic actuators; e.g. solenoid valves, pressure sensors, flow indicators.
- heat eningeering: gas appliance and oil burner controls (GDMW) to DIN VDE 0722/DIN 3394 T1
- in appliances and equipment subject to vibrations, e.g. track-bound vehicles, building machinery, conveying systems, using the crimp connection method (GDMC)

### Further information

see technical data in the catalog Rectangular connectors for automation technique DS 280 490-440.



GDM 2009

| poles   | type          | cable gland          | type or connection | color | approvals       | order no.   |
|---------|---------------|----------------------|--------------------|-------|-----------------|-------------|
| 2+ ⊕    | GDM 2009      | PG 9                 | S                  | black | CE, S, 1973     | 931 965-100 |
|         | GDM 2009 J    | PG 9                 | S / CS / CE        | grey  | CE, S, 1973, UL | 931 965-106 |
|         | GDM 2011      | PG 11                | S                  | black | CE, S, 1973     | 931 236-100 |
|         | GDM 2011 J    | PG 11                | S / CS / CE        | grey  | CE, S, 1973, UL | 931 236-106 |
| 3+ ⊕    | GDM 2014 J    | ISO 228-G1/2(R1/2")  | S / CS / CE        | black | CE, 1973, UL    | 931 957-100 |
|         | GDM 3009      | PG 9                 | S                  | black | CE, S, 1973     | 931 957-106 |
|         | GDM 3009 J    | PG 9                 | S / CS / CE        | grey  | CE, S, 1973, UL | 932 106-100 |
|         | GDM 3011      | PG 11                | S                  | black | CE, S, 1973     | 932 106-106 |
|         | GDM 3011 J    | PG 11                | S / CS / CE        | grey  | CE, S, 1973, UL | 932 107-100 |
|         | GDM 3014 J    | ISO 228-G1/2 (R1/2") | S / CS / CE        | black | CE, 1973, UL    | 931 969-100 |
|         | GDMF 3009     | PG 16                | S                  | black | CE, S, 1973, UL | 931 969-106 |
|         | GDMW 3011 CF  | PG 11                | S                  | black | CE, S, 1973, UL | 932 214-100 |
|         | GDMW 3011 DF  | PG 11                | S                  | grey  | CE, S, 1973, UL | 932 214-106 |
|         | GDMW 3011     | PG 11                | S                  | black | CE, S, 1973, UL | 931 952-100 |
| 2+/3+ ⊕ | GDMC 0009 JPT | PG 9                 | C                  | grey  | CE, S, 1973, UL | 931 952-106 |
|         | GDMC 0011 JPT | PG 11                | C                  | black | CE, S, 1973, UL | 932 109-100 |
|         | GDMC 3011     | PG 11                | C                  | grey  | CE, S, 1973, UL | 932 109-106 |
|         | GDMC 3011     | PG 11                | C                  | black | CE, S, 1973, UL | 932 110-100 |
|         | GDMC 3011     | PG 11                | C                  | black | CE, S, 1973, UL | 933 944-100 |
|         | GDMC 3011     | PG 11                | C                  | black | CE, S, 1973, UL | 932 545-200 |
|         |               |                      |                    | grey  | CE, S, 1973, UL | 932 545-206 |
|         |               |                      |                    | black | CE, S, 1973, UL | 932 547-200 |
|         |               |                      |                    | grey  | CE, S, 1973, UL | 932 547-206 |
|         |               |                      |                    | black | CE, S, 1973, UL | 933 583-100 |
|         |               |                      |                    | grey  | CE, S, 1973, UL | 933 583-106 |
|         |               |                      |                    | black | CE, S, 1973, UL | 933 364-100 |
|         |               |                      |                    | grey  | CE, S, 1973, UL | 933 364-106 |
|         |               |                      |                    | black | CE, S, 1973, UL | 931 963-100 |

S = screw; CS = cable shoe; CE = cable eye; C = crimps

## Cable socket with electronic insert

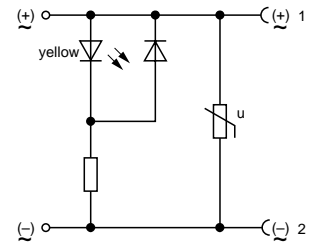


### Product features

- with integrated electronic circuits such as rectifiers, optical status displays, protective elements etc. for the connection of appliances or elements which do not have these functions integrated (GDML, GDME)
- integrated electronic circuitry in many standard versions or according to your specifications

### Further information

see technical data in the catalog  
Rectangular connectors  
for automation technique  
DS 280 490-440.



GDML 2011 LED 24 VR YE

| poles | type                    | operating voltage | description   | LED color | Pg color | order no.   |
|-------|-------------------------|-------------------|---|-----------|----------|-------------|
| 2+ ⊕  | GDML 2009 RC 230 1      | UC 250 V          | RC element  |           | black    | 933 802-112 |
|       | GDML 2011 GB1           | UC 250 V          | bridge-type rectifier                                   |           | black    | 932 329-100 |
|       | GDML 2011 GBC           | UC 250 V          | bridge-type rectifier and capacitor                     |           | grey     | 932 329-106 |
|       | GDML 2011 GE1 G         | UC 250 V          | half-wave rectifier                                     |           | black    | 932 923-100 |
|       | GDML 2011 GB1 LED 24    | UC 24 V           | bridge-type rectifier and varistor                      | red       | black    | 932 330-100 |
|       | GDML 2011 LED 24 GB     | UC 24 V           | LED rectifier and varistor                              | red       | black    | 932 446-002 |
|       | GDML 2011 LED 24        | UC 24 V           | function indicator with freewheeling diode              | red       | grey     | 932 446-003 |
|       | GDML 2011 LED 24 YE     | UC 24 V           | function indicator with freewheeling diode              | yellow    | black    | 932 501-002 |
|       | GDML 2011 LED 24 HH-P   | UC 24 V           | half-wave rectifier                                     | red       | grey     | 932 501-003 |
|       | GDML 2011 LED 24 HH     | DC 24 V           | function indicator with protective circuit              | red       | black    | 932 527-002 |
|       | GDML 2011 LED 24 HH YE  | DC 24 V           | function indicator with protective circuit              | yellow    | grey     | 932 332-002 |
|       | GDML 2011 LED 24 VR YE  | UC 24 V           | function indicator with freewheeling diode and varistor | yellow    | black    | 932 332-003 |
|       | GDML 2011 LED 24 VR     | UC 24 V           | function indicator with freewheeling diode and varistor | red       | grey     | 932 527-002 |
|       | GDML 2011 J 2 LED 24    | UC 24 V           | function indicator double LED                           | red       | black    | 932 527-003 |
|       | GDML 2011 J 2 LED 24 VR | UC 24 V           | function indicator double LED and varistor              | red       | grey     | 932 444-002 |
|       | GDML 2011 LED 48 HH     | DC 48 V           | function indicator with protective circuit              | red       | black    | 932 444-003 |
|       | GDML 2011 LED 48 VR     | UC 48 V           | function indicator with freewheeling diode and varistor | red       | grey     | 932 336-002 |
|       | GDML 2011 LED 48 VR YE  | UC 48 V           | function indicator with freewheeling diode and varistor | yellow    | black    | 932 336-003 |
|       | GDML 2011 LED 48 VR YE  | UC 48 V           | function indicator with freewheeling diode and varistor | yellow    | grey     | 932 640-002 |
|       |                         |                   |   |           |          | black       |



## Cable socket with electronic insert (continuation)

| poles | type                    | operating voltage | description  | LED color            | Pg color    | order no.   |
|-------|-------------------------|-------------------|--|----------------------|-------------|-------------|
| 2+ ⊕  | GDML 2011 GB1 LED 48    | UC 48 V           | bridge-type rectifier and varistor                       | red                  | black       | 933 925-212 |
|       | GDML 2011 LED 120 YE    | UC 120 V          | function indicator                                       | yellow               | grey        | 933 925-712 |
|       | GDML 2011 LED 120 VR YE | UC 120 V          | function indicator with free-wheeling diode and varistor | yellow               | black       | 933 738-212 |
|       | GDML 2011 J 120 LG      | UC 120 V          | glow lamp  |                      | grey        | 933 738-712 |
|       | GDML 2011 LED 230 YE    | UC 250 V          | function indicator                                       | yellow               | black       | 933 927-212 |
|       | GDML 2011 LED 230 VR YE | UC 250 V          | function indicator with free-wheeling diode and varistor | yellow               | grey        | 933 927-712 |
|       | GDML 2011 J LG 230      | UC 250 V          | glow lamp  |                      | black       | 933 998-100 |
| 3+ ⊕  | GDML 3011 LED 24 BO     | DC 24 V           | function indicator for pressure switch                   | red                  | grey        | 933 998-106 |
|       | GDML 3011 LED 24 RG     | DC 24 V           | function indicator for pressure switch                   | double LED red/green | black       | 933 739-212 |
|       | GDML 3011 LED 230 RG    | UC 250 V          | function indicator for pressure switch                   | double LED red/green | grey        | 933 739-712 |
|       |                         |                   |  |                      | black       | 933 916-212 |
|       |                         |                   |  |                      | grey        | 933 916-712 |
|       |                         |                   |  |                      | black       | 933 999-100 |
|       |                         |                   |  | grey                 | 933 999-106 |             |
|       |                         |                   |  | black                | 932 856-002 |             |
|       |                         |                   |  | grey                 | 932 856-003 |             |
|       |                         |                   |  | black                | 932 857-002 |             |
|       |                         |                   |  | black                | 933 748-212 |             |
|       |                         |                   |  | grey                 | 933 748-712 |             |

## Cable socket to accept electronic inserts

### Product features

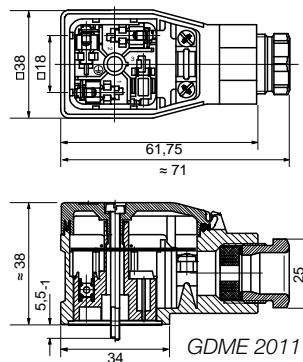
- cable socket with transparent cover
- strain relief
- possibility to fit electronic inserts

### Variation

with integral timer circuit

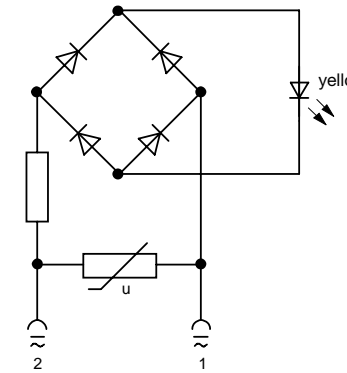
### Further information

see technical data in the catalog  
Rectangular connectors for automation technique  
DS 280 490-440.



| poles | type            | operating voltage  | description                             | color       | approvals | order no.   |
|-------|-----------------|--------------------|---|-------------|-----------|-------------|
| 2+ ⊕  | GDME 2011       | AC 400 V, DC 250 V | cable socket with central screw M3 x 40 | black       |           | 933 029-100 |
|       | GDME 2013       | AC 400 V, DC 250 V | cable socket with central screw M3 x 40 | grey        |           | 933 029-106 |
| 3+ ⊕  | GDME 2011 Timer | AC 48 V, DC 24 V   | cable socket with timer circuit         | black       |           | 933 030-100 |
|       | GDME 3011       | AC 400 V, DC 250 V | cable socket with central screw M3 x 40 | black       |           | 933 030-106 |
|       |                 |                    |   | grey        |           | 933 719-100 |
|       |                 |                    |   | black       |           | 933 022-100 |
|       |                 |                    |   | grey        |           | 933 022-106 |
|       | GDME 3013       | AC 400 V, DC 250 V | cable socket with central screw M3 x 40 | black       |           | 933 031-100 |
|       |                 |                    | grey                                    | 933 031-106 |           |             |

## Electronic inserts for GDME



GDME-LED 24 GB YE

### Product features

with electronic circuits such as rectifiers, optical status displays, protective elements etc. for the connection of appliances or elements which do not have these functions integrated

### Further information

see technical data in the catalog Rectangular connectors for automation technique DS 280 490-440.

| type              | operating voltage | description   | LED-color    | order no.   |
|-------------------|-------------------|---|--------------|-------------|
| GDME-LED 24 GB YE | UC 24 V           | LED rectifier with protective circuit and function indicator                | yellow       | 831 870-001 |
| GDME-LED 24 HH YE | DC 24 V           | function indicator with protective circuit                                  | yellow       | 831 873-001 |
| GDME-LED 24 YE    | UV 24 V           | function indicator with freewheeling diode                                  | yellow       | 831 863-001 |
| GDME-LED 24       | UV 24 V           | function indicator with freewheeling diode                                  | red          | 831 839-001 |
| GDME-HDL 24 YE    | UV 24 V           | function indicator with freewheeling diode                                  | yellow       | 832 028-001 |
| GDME 2 LED 24     | UV 24 V           | function indicator (2 LED'S)  | yellow/green | 831 876-001 |
| GDME-LED 48 YE RE | UC 48 V           | function indicator with freewheeling diode and varistor                     | yellow       | 831 858-001 |
| GDME-GB1 LG 120   | UC 120 V          | bridge-type rectifier with protective circuit and function indicator        | glow lamp    | 831 836-001 |
| GDME-LG 120       | UC 120 V          | function indicator  | glow lamp    | 831 826-001 |
| GDME-GB1 LG 230   | UC 250 V          | bridge-type rectifier with protective circuit and function indicator        | glow lamp    | 831 834-001 |
| GDME-GB1          | UC 250 V          | bridge-type rectifier with protective circuit                               |              | 831 832-001 |
| GDME-LG 230       | UC 250 V          | function indicator  | glow lamp    | 831 824-001 |
| GDME-UV1          |                   | unequipped circuit board with 2 fork type springs and 2 clamping box        |              | 931 415-001 |
| GDME-UV3 N        |                   | unequipped circuit board with 2 fork type springs and 2 flat head terminals |              | 931 954-001 |

## Molded cable socket

### Product description

preassembled and molded-on cable socket without integrated electronic circuitry

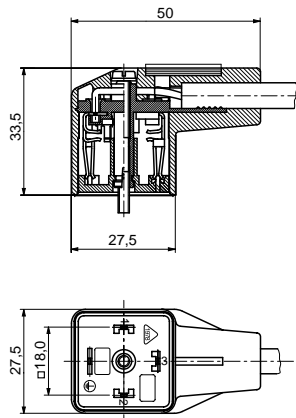
### Variations

- PVC grey (additional colors, cable material, length... on application)
- 0° and 180° cable outlet
- connected protective earth (PE) allows 0° and 180° assembly

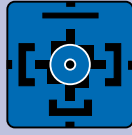
### Further information

see technical data in the catalog Rectangular connectors for automation technique DS 280 490-440.

**For tailor-made systems,** see page 24

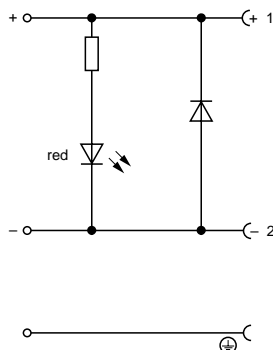


GDM-K 3000



| poles | type            | length | color         | operating voltage | description        | order no.                  |
|-------|-----------------|--------|---------------|-------------------|--------------------|----------------------------|
| 2+ ⊕  | GDM-K 2000      | 2m     | black<br>grey | UC 250 V          |                    | 933 096-111<br>933 096-611 |
|       |                 | 5m     | black<br>grey | UC 250 V          |                    | 933 096-112<br>933 096-612 |
|       | GDM-K 2000 Z    | 2m     | black<br>grey | UC 250 V          | 180 ° cable outlet | 933 133-111<br>933 133-611 |
|       |                 | 5m     | black<br>grey | UC 250 V          | 180 ° cable outlet | 933 133-112<br>933 133-612 |
|       | GDM-K 2000 PE 2 | 2m     | black<br>grey | UC 250 V          | PE connected       | 933 655-111<br>933 655-611 |
|       |                 | 5m     | black<br>grey | UC 250 V          | PE connected       | 933 655-112<br>933 655-612 |
| 3+ ⊕  | GDM-K 3000      | 2m     | black<br>grey | UC 250 V          |                    | 933 095-111<br>933 095-611 |
|       |                 | 5m     | black<br>grey | UC 250 V          |                    | 933 095-112<br>933 095-612 |
|       | GDM-K 3000 Z    | 2m     | black<br>grey | UC 250 V          | 180° cable outlet  | 933 136-111<br>933 136-611 |
|       |                 | 5m     | black<br>grey | UC 250 V          | 180° cable outlet  | 933 136-112<br>933 136-612 |

## Molded cable socket, with electronic insert



GDML-K 2000 LED 24 HH

### Product description

assembled and molded cable sockets with integrated electronic circuitry and/or LED displays

### Variations

- PVC grey (additional colors, cable material, length... on application)
- 0° and 180° cable outlet
- connected protective earth (PE) allows 0° and 180° assembly

### Further information

see technical data in the catalog Rectangular connectors for automation technique DS 280 490-440.

**For tailor-made systems,** see page 24

| poles | type                            | length | color | voltage  | description   | LED-color | order no.   |
|-------|---------------------------------|--------|-------|----------|---|-----------|-------------|
| 2+ ⊕  | GDML-K 2000 PE 2 LED 24 HH      | 2m     | black | DC 24 V  | function indicator with protective circuit PE connected             | red       | 933 413-111 |
|       |                                 | 5m     | grey  | DC 24 V  | function indicator with protective circuit PE connected             | red       | 933 413-611 |
|       | GDML-K 2000 PE 2 LED 24 GB 1 ZZ | 2m     | black | UC 24 V  | LED rectifier with Z-diode and function indicator PE connected      | yellow    | 933 656-111 |
|       |                                 | 5m     | grey  | UC 24 V  | LED rectifier with Z-diode and function indicator PE connected      | yellow    | 933 656-611 |
|       | GDML-K 2000 LED 24 GB 1 ZZ      | 2m     | black | UC 24 V  | LED rectifier with Z-diode and function indicator                   | yellow    | 933 105-111 |
|       |                                 | 5m     | grey  | UC 24 V  | LED rectifier with Z-diode and function indicator                   | yellow    | 933 105-611 |
|       | GDML-K 2000 Z LED 24 GB 1 ZZ    | 2m     | black | UC 24 V  | LED rectifier with Z-diode and function indicator 180° cable outlet | yellow    | 933 121-111 |
|       |                                 | 5m     | grey  | UC 24 V  | LED rectifier with Z-diode and function indicator 180° cable outlet | yellow    | 933 121-611 |
|       | GDML-K 2000 LED 24 HH           | 2m     | black | DC 24 V  | function indicator with protective circuit                          | red       | 933 106-111 |
|       |                                 | 5m     | grey  | DC 24 V  | function indicator with protective circuit                          | red       | 933 106-611 |
|       | GDML-K 2000 Z LED 24 HH         | 2m     | black | DC 24 V  | function indicator with protective circuit 180° cable outlet        | red       | 933 124-111 |
|       |                                 | 5m     | grey  | DC 24 V  | function indicator with protective circuit 180° cable outlet        | red       | 933 124-611 |
|       | GDML-K 2000 LED 120 HH VR       | 2m     | black | UC 120 V | function indicator with protective circuit                          | red       | 933 108-111 |
|       |                                 | 5m     | grey  | UC 120 V | function indicator with protective circuit                          | red       | 933 108-611 |
|       | GDML-K 2000 LED 230 HH VR       | 2m     | black | UC 250 V | function indicator with protective circuit                          | red       | 933 107-111 |
|       |                                 | 5m     | grey  | UC 250 V | function indicator with protective circuit                          | red       | 933 107-611 |

## Appliance connector

### Product description

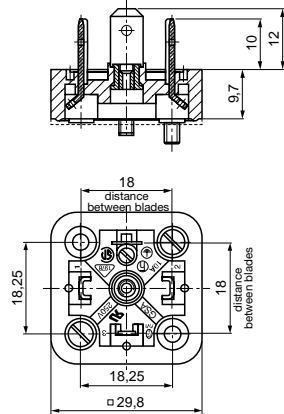
appliance plug (pin plates) for almost all applications

### Product features

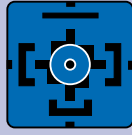
- for sheet metal wall mounting
  - for mounting on flat ang. conduit
  - for moulding-in
  - for screw-in mounting (PG thread)
  - for encapsulation
- pin plates IP 65 without encapsulation

### Further information

see technical data in the catalog  
Rectangular connectors  
for automation technique  
DS 280 490-440.



GSA 2000 N



| poles           | type            | description                               | approvals                 | order no.                      |  |             |
|-----------------|-----------------|---|---------------------------|--------------------------------|--|-------------|
| 2+ ⊕            | GSA 2000        | longitudinal slots, open nut              |                           | 932 591-500                    |  |             |
|                 | GSA 2000 A      | longitudinal slots, closed nut            |                           | 932 592-500                    |  |             |
|                 | GSA 2000 N      | open nut                                  |                           | 932 967-100                    |  |             |
|                 | GSA-U 2000 N LO | solder lug                                |                           | 933 378-100                    |  |             |
|                 | GSA-U 2000 N LU | solder cup                                |                           | 933 378-200                    |  |             |
|                 | GSA-U 2075 SK   | insulation displacement                   |                           | 933 380-100                    |  |             |
|                 | GSE 2000 N4     | installation in sheet metal               |                           | 932 886-100                    |  |             |
|                 | GSR-U 2000 LS   | solder projection, for injection moulding |                           | 933 377-300                    |  |             |
|                 | GSR-U 2000 LO   | solder lug, for injection moulding        |                           | 933 377-100                    |  |             |
|                 | GSR-U 2000 LU   | solder cup, for injection moulding        |                           | 933 377-200                    |  |             |
|                 | GSP 211         | thread PG 11                              |                           | 931 298-001                    |  |             |
|                 | GSP 212         | thread PG 1/2" NPTF                       |                           | 931 298-004                    |  |             |
|                 | GSP 213         | thread PG 13,5                            |                           | 931 298-003                    |  |             |
|                 | GSAZ 200        | for cylinder gasket                       |                           | 932 429-100                    |  |             |
|                 | 3+ ⊕            | GSA 3000                                  |                           | longitudinal slots, open nut   |  | 932 597-100 |
|                 |                 | GSA 3000 A                                |                           | longitudinal slots, closed nut |  | 932 598-500 |
|                 |                 | GSA 3000 N                                |                           | open nut                       |  | 932 968-100 |
| GSA-U 3000 N LO |                 | solder lug                                | 933 379-100               |                                |  |             |
| GSA-U 3000 N LU |                 | solder cup                                | 933 379-200               |                                |  |             |
| GSA-U 3075 SK   |                 | insulation displacement                   | 933 381-100               |                                |  |             |
| GSE 3000 N4     |                 | installation in sheet metal               | 932 890-100               |                                |  |             |
| GSR-U 3000 LS   |                 | solder projection, for injection moulding | 933 376-300               |                                |  |             |
| GSR-U 3000 LO   |                 | solder lug, for injection moulding        | 933 376-100               |                                |  |             |
| GSR-U 3000 LU   |                 | solder cup, for injection moulding        | 933 376-200               |                                |  |             |
| GSP 311         |                 | thread PG 11                              | 931 297-001               |                                |  |             |
| GSP 312         |                 | thread PG 1/2" NPTF                       | 931 297-004               |                                |  |             |
| GSP 313         |                 | thread PG 13,5                            | 931 297-003               |                                |  |             |
| GSP 316         |                 | thread PG 16                              | 931 297-002               |                                |  |             |
| GSAZ 300        |                 | for cylinder gasket                       | 932 430-100               |                                |  |             |
| 2+/3+ ⊕         |                 | GSC 300                                   | crimp                     |                                |  | 931 382-100 |
|                 |                 | GSCZ 300                                  | crimp for cylinder gasket |                                |  | 932 467-100 |

## Accessories

### Product features

- flat- und profiled gaskets
- central screws
- protective cap
- measuring adapter (measuring during use)

### Further information

see technical data in the catalog  
Rectangular connectors  
for automation technique  
DS 280 490-440.



| type          | description                            | order no.   |
|---------------|--|-------------|
| GDM 3-7       | flat gasket NBR                        | 730 801-002 |
| GDM 3-21      | flat gasket ECO                        | 731 739-002 |
| GDM 3-16      | profiled gasket NBR                    | 731 531-002 |
| SHK 3         | protective cap                         | 733 790-002 |
| MESAP 43 650  | measuring adapter                      | 932 818-002 |
| GDM 3011-8    | central screw with knurled head GDM/GM | 732 574-001 |
| GDME 3N-7     | central screw with knurled head GDME   | 732 280-001 |
| GDM 3011 RF-1 | stainless steel screw GDM/GM           | 734 363-001 |
| GSA 200-4     | flat gasket NBR                        | 730 843-002 |
| GSA 200-7     | flat gasket ECO                        | 730 268-002 |
| GSE 2000-2    | flat gasket NBR                        | 733 973-002 |
| GSE 2000-3    | flat gasket ECO                        | 733 846-002 |
| GSAZ 35/43    | profiled gasket 35-43 mm NBR           | 733 262-002 |
| GSAZ 35/43    | profiled gasket 35-43 mm MPQ           | 733 261-002 |
| GSAZ 40/62    | profiled gasket 40-62 mm NBR           | 733 264-002 |
| GSAZ 40/62    | profiled gasket 40-62 mm MPQ           | 733 263-002 |
| GSAZ 60/120   | profiled gasket 60-120 mm NBR          | 733 266-002 |
| GSAZ 60/120   | profiled gasket 60-120 mm MPQ          | 733 265-002 |