

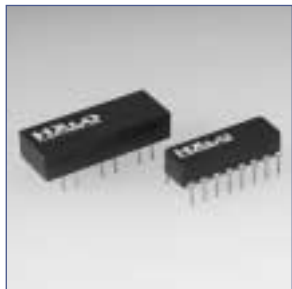
HALO Electronics has developed these standard series of AUI Isolation Modules to specifically address the isolation requirements of IEEE 802.3 for 10BASE2 and 10BASE5 network circuits. Modules are available for most LAN IC manufacturer's products. The HALO Electronics Ethernet Module Selection Guide has been provided to help the Network Designer select the correct magnetic component modules.

### HALO Electronics AUI Isolation Modules

Mfg.	LAN Chip Part Numbers	AUI Isolation Modules		
		16 Pin DIP	16 Pin SOIC	16 Pin PCMCIA
AMD	Am7996	TD01-0756K	TG01-0756N	TG01-0756P
Fujitsu	MBL8392	TD01-1006K	TG01-1006N	TG01-1006P
Myson	MTD492	TD01-1006K	TG01-1006N	TG01-1006P
N S C	DP8392	TD01-1006K	TG01-1006N	TG01-1006P
Phillips	NE8392C	TD01-0756K	TG01-0756N	TG01-0756P
Seeq	83C92	TD01-1006K	TG01-1006N	TG01-1006P
TDK	TSC78Q8392	TD01-1006K	TG01-1006N	TG01-1006P

**Notes:**

1. HALO manufactures a complete line of DC/DC Converters for Thin Net (Cheaper Net) applications. DC/DC Converter data sheets are located on the following pages of the AUI/Coax section.
2. HALO Electronics also offers a complete line of Thin Net Transceiver (TNT) Modules which include the DC/DC Converter, AUI Transformers, 8392, and most glue components. The complete TNT datasheet can be found at the back of the AUI/COAX section of this catalog.

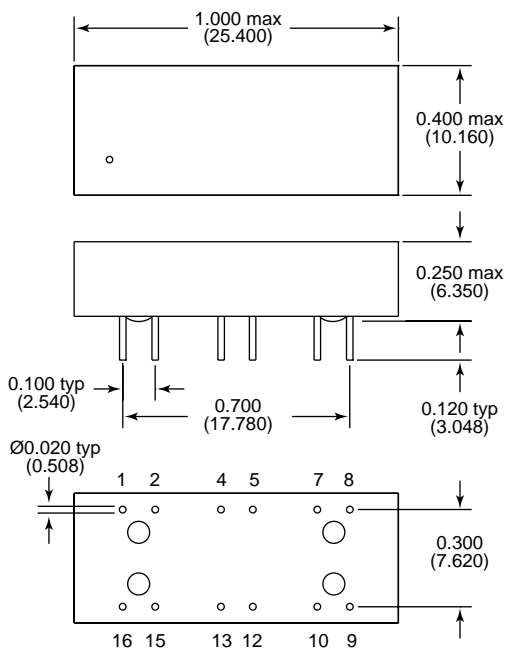


## DIL AUI



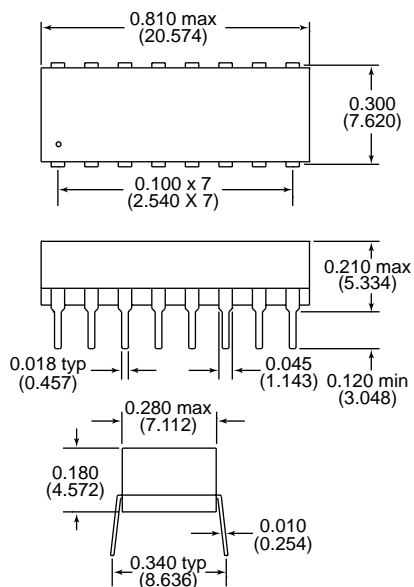
HALO has developed this standard series of "Dual-In-Line" AUI Isolation Modules to meet the requirements of IEEE 802.3 for 10BASE2, 10BASE5 and 10BASE-T.

### Package B

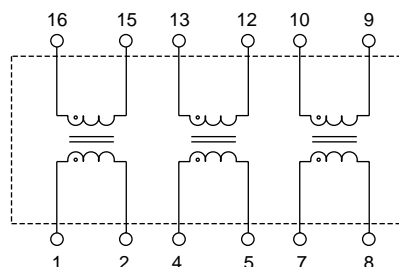


DIMENSIONS: Inch(mm)

### Package K



DIMENSIONS: Inch(mm)



### Electrical Specifications @ 25°C

Isolation: 2,000Vrms

Insulation Resistance: 10,000 MΩ

Part Number	OCL ( $\mu\text{H} \pm 20\%$ )	Turns Ratio ( $\pm 5\%$ )	Rise Time (ns max)	PRI / SEC Cw/w (pF max)	PRI $L_L$ ( $\mu\text{H} \text{ max}$ )	DCR ( $\Omega \text{ max}$ )	Package
TD01-0506B	50	1:1	3.0	10	.20	.20	B
TD01-0756B	75	1:1	3.0	10	.20	.20	B
TD01-1006B	100	1:1	3.0	10	.20	.20	B
TD01-1506B	150	1:1	3.0	12	.20	.25	B
TD01-0506K	50	1:1	3.0	10	.20	.20	K
TD01-0756K	75	1:1	3.0	10	.20	.20	K
TD01-1006K	100	1:1	3.0	10	.20	.20	K
TD01-1506K	150	1:1	3.0	12	.20	.25	K