



Copyright FCI

1

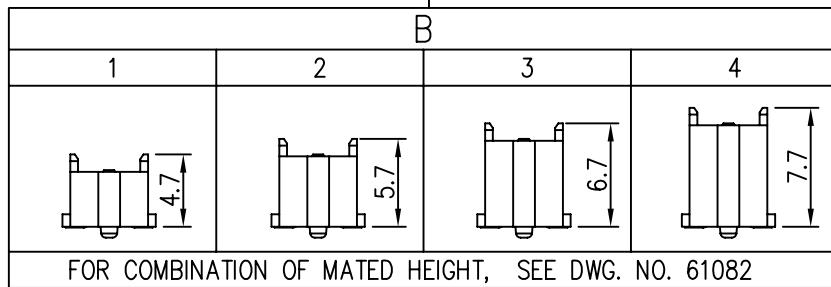
2

3

4

61083-AA B C D E G FF

AA	NO. OF POSITIONS
04	2X20
06	2X30
08	2X40
10	2X50
12	2X60
14	2X70
16	2X80
18	2X90
20	2X100



G	DATE CODE
/	NOT PRINT DATE CODE
P	PRINT DATE CODE

E	PACKAGING
0	TUBE WITHOUT METAL CAP
2	T&R WITH METAL CAP
9	TUBE WITH METAL CAP
6	T&R WITHOUT METAL CAP (WITH KAPTON TAPE)
7	T&R WITH PLASTIC CAP

D	FEATURE	HOLD DOWN
0	YES	NO
2	NO	NO

NOTE:

- MATERIAL:
HOUSING: G.F. LCP, UL94-V0
TERMINAL: BRASS
- PLATING:
AS SHOWN IN TABLE.
- SEE GS-12-547 FOR PRODUCT SPEC.
- SEE GS-14-551 AND GS-14-816 FOR PACKAGING SPEC.
- PACKAGING OPTION 2: NOT ALL SIZES ARE AVAILABLE. CHECK WITH FACTORY.
- THIS PRODUCT MEETS THE EUROPEAN UNION DIRECTIVES AND OTHER COUNTRY REGULATIONS AS DESCRIBED IN GS-22-008.
- THE HOUSING WILL WITHSTAND EXPOSURE UP TO 260 PEAK TEMPERATURE FOR 30 SECONDS IN A CONVECTION, INFRA-RED OR VAPOR PHASE REFLOW OVEN.
- PLATING OPTION "4" IS LEADFREE ALTERNATIVE FOR OPTION "0", AND OPTION "6" IS LEADFREE ALTERNATIVE FOR OPTION "1".
- HIGH PRECISION COPLANARITY IS AVAILABLE FOR 2X80 TO 2X100 POS, ALL HEIGHTS. PLS REFER TO PRINT 10069525.
- THE P/N 61083-***** OR 61083-*****LF NOT PRINT DATE CODE.
THE P/N 61083-*****P OR 61083-*****PLF NEED PRINT DATE CODE.

C	PLATING	FF
0	GOLD 0.2um MIN. / TIN LEAD NICKEL UNDERPLATE OVERALL 1.27um MIN	NONE
1	GOLD FLASH (0.1um MIN) OVER PALLADIUM-NICKEL 0.76um MIN / TIN LEAD NICKEL UNDERPLATE OVERALL 1.27um.	NONE
4	GOLD 0.2um MIN / PURE MATT TIN NICKEL UNDERPLATE OVERALL 1.27um. (LEADFREE PLATING)	LF (NOTE 6 & 8)
5	GOLD 0.38um MIN / MATT PURE TIN NICKEL UNDERPLATE OVERALL 1.27UM MIN (LEADFREE PLATING)	LF (NOTE 6 & 8)
6	GOLD FLASH (0.1um MIN) OVER PALLADIUM-NICKEL 0.76um MIN / PURE MATT TIN NICKEL UNDERPLATE OVERALL 1.27um. (LEADFREE PLATING)	LF (NOTE 6 & 8)

spec ref	dr	MAGGIE WU	1999-03-24	projection	mm	size	A3	scale	3:1
tolerance std	eng	YU WEN CHU	1999-03-24			ecn no	rel level	RELEASE	rev
TOLERANCES UNLESS OTHERWISE SPECIFIED	chr	M CHEONG	2011-10-20						
	appr	CH TAN	2011-10-20						
surface	linear	0.X	±0.2	product family	Bergstak	dwg no	61083	sheet 1 of 6	
		0.XX	±0.15	title	BERGSTAK 0.8mm BTB	cat. no.	-	Product - Customer drw	
		0.XXX	±0.10	www.fci.com	PLUG ASSY				
	angular	0'	±2'						

1

2

3

4

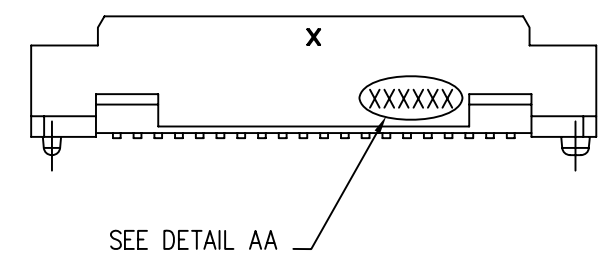
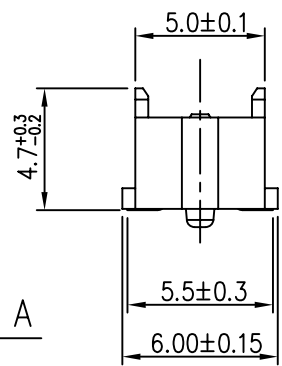
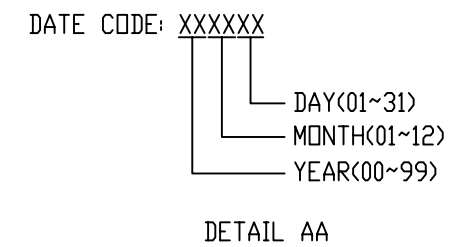
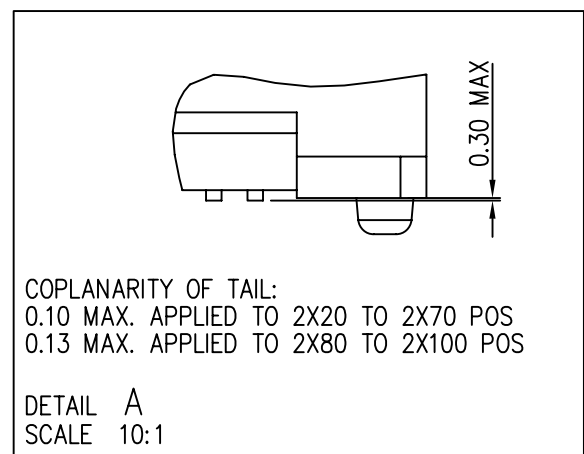
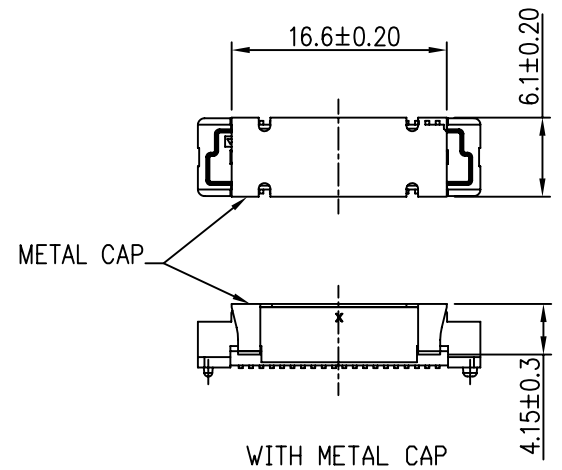
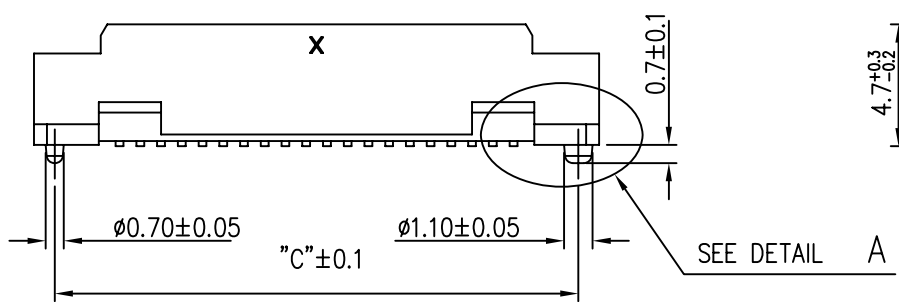
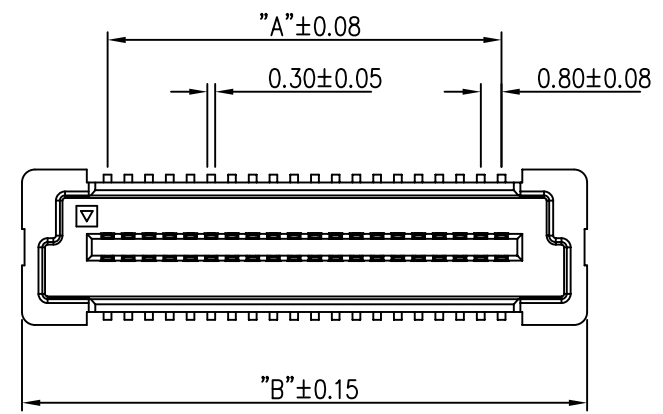
PRODUCT NO.	NO. OF POSITION	DIMENSION		
		A	B	C
61083-041***	2X20	15.2	21.8	20.2
61083-061***	2X30	23.2	29.8	28.2
61083-081***	2X40	31.2	37.8	36.2
61083-101***	2X50	39.2	45.8	44.2
61083-121***	2X60	47.2	53.8	52.2
61083-141***	2X70	55.2	61.8	60.2
61083-161***	2X80	63.2	69.8	68.2
61083-181***	2X90	71.2	77.8	76.2
61083-201***	2X100	79.2	85.8	84.2

A

B

C

D

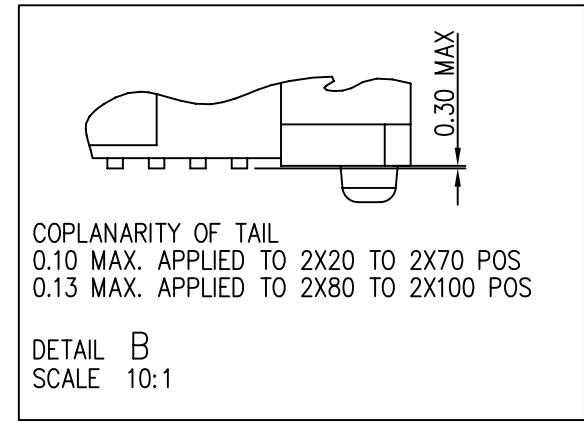
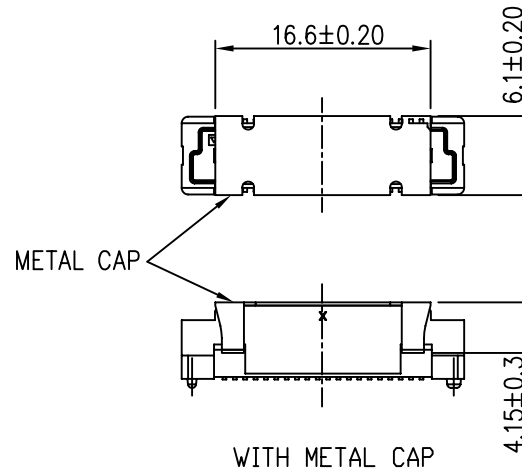


PLUG 1

dr	MAGGIE WU	1999-03-24	projection	mm	size	A3	scale	3:1	
eng	YU WEN CHU	1999-03-24			ecn no		-		
chr	M CHEONG	2011-10-20			-		-		RELEASE
appr	CH TAN	2011-10-20	product family	Bergstak	-		rel level	RELEASE	
			title		BERGSTAK 0.8mm BTB		dwg no	61083	
www.fci.com			cat. no.		-		Product - Customer drw	rev	AF
							sheet 2 of 6		

Copyright FCI

PRODUCT NO.	NO. OF POSITION	DIMENSION		
		A	B	C
61083-042***	2X20	15.2	21.8	20.2
61083-062***	2X30	23.2	29.8	28.2
61083-082***	2X40	31.2	37.8	36.2
61083-102***	2X50	39.2	45.8	44.2
61083-122***	2X60	47.2	53.8	52.2
61083-142***	2X70	55.2	61.8	60.2
61083-162***	2X80	63.2	69.8	68.2
61083-182***	2X90	71.2	77.8	76.2
61083-202***	2X100	79.2	85.8	84.2

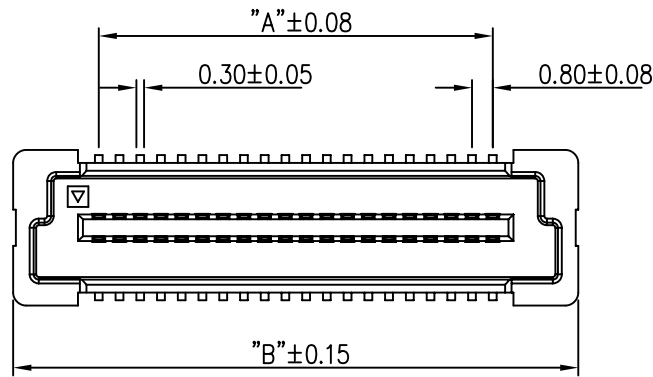


A

A

B

B

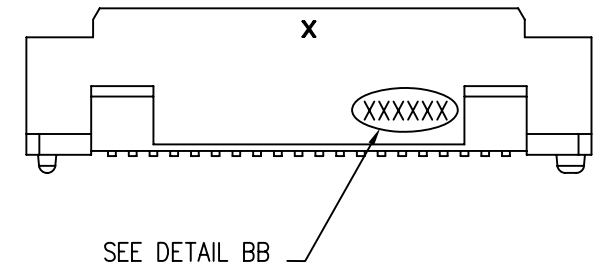
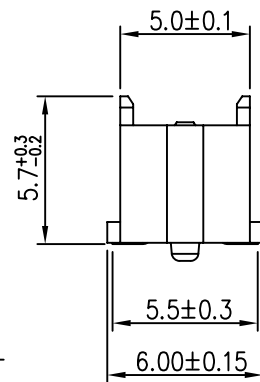
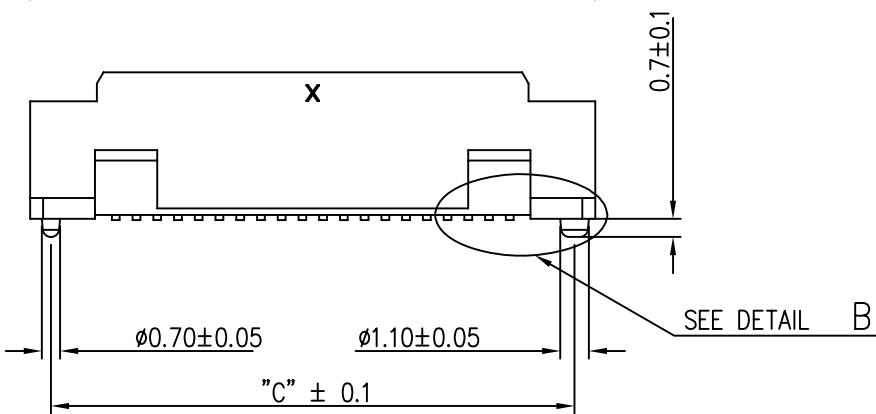


DATE CODE: XXXXXX
 DAY(01~31)
 MONTH(01~12)
 YEAR(00~99)

DETAIL BB

C

C



PLUG 2

dr	MAGGIE WU	1999-03-24	projection	mm	size	A3	scale	3:1
eng	YU WEN CHU	1999-03-24			ecn no		-	
chr	M CHEONG	2011-10-20			-		-	
appr	CH TAN	2011-10-20	product family	Bergstak	-		rel level	RELEASE
			title		BERGSTAK 0.8mm BTB		dwg no	61083
www.fci.com			cat. no.		-		Product - Customer drw	rev
							sheet 3 of 6	AF

D

D



Copyright FCI.

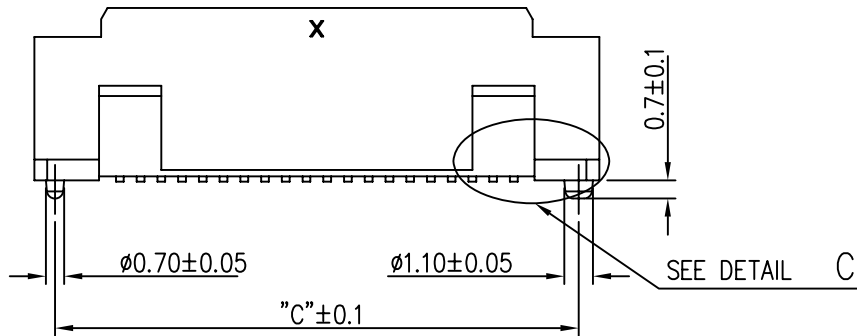
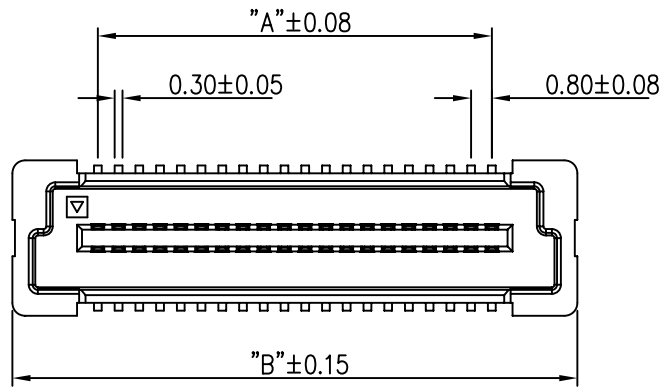
PRODUCT NO.	NO. OF POSITION	DIMENSION		
		A	B	C
61083-043***	2X20	15.2	21.8	20.2
61083-063***	2X30	23.2	29.8	28.2
61083-083***	2X40	31.2	37.8	36.2
61083-103***	2X50	39.2	45.8	44.2
61083-123***	2X60	47.2	53.8	52.2
61083-143***	2X70	55.2	61.8	60.2
61083-163***	2X80	63.2	69.8	68.2
61083-183***	2X90	71.2	77.8	76.2
61083-203***	2X100	79.2	85.8	84.2

A

B

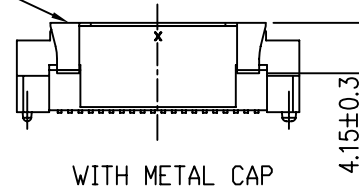
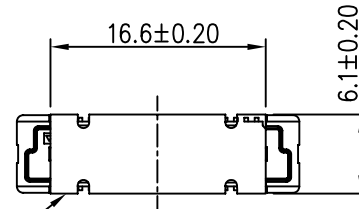
C

D

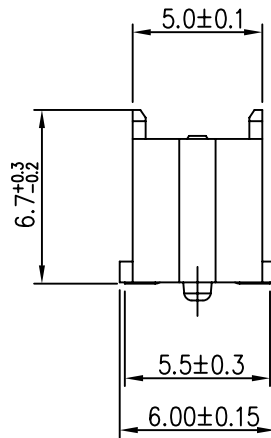


2

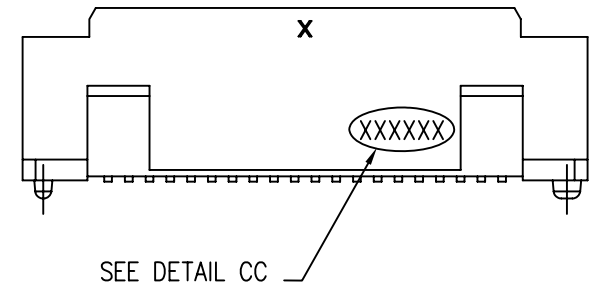
METAL CAP



WITH METAL CAP



3



SEE DETAIL CC

PLUG 3

dr	MAGGIE WU	1999-03-24	projection	mm	size	A3	scale	3:1	
eng	YU WEN CHU	1999-03-24			ecn no		-		
chr	M CHEONG	2011-10-20			-		-		RELEASE
appr	CH TAN	2011-10-20	product family	Bergstak	rel level	-			
			title		BERGSTAK 0.8mm BTB		dwg no	61083	
www.fci.com			cat. no.		-		Product - Customer drw	rev	AF
			-		-		sheet 4 of 6		

2

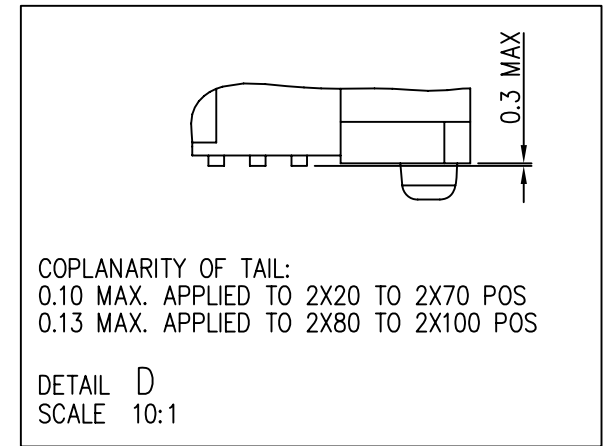
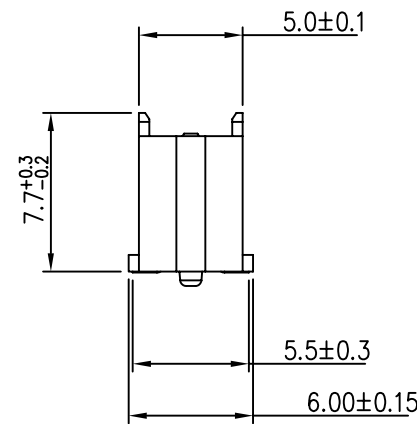
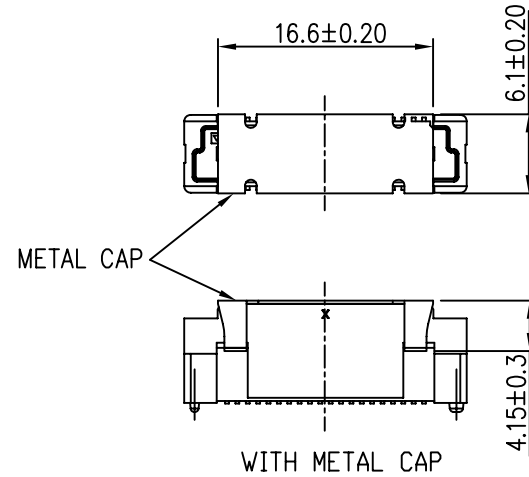
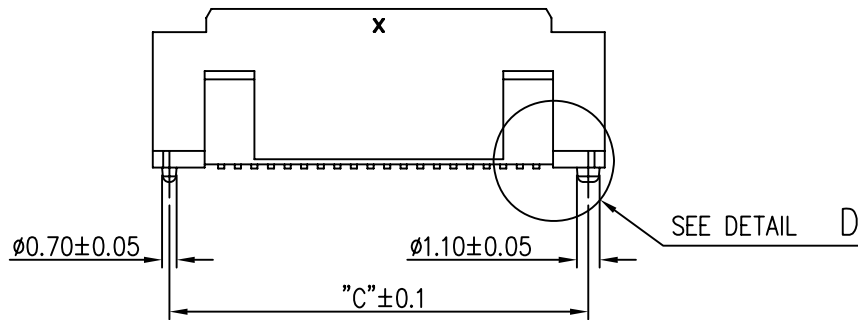
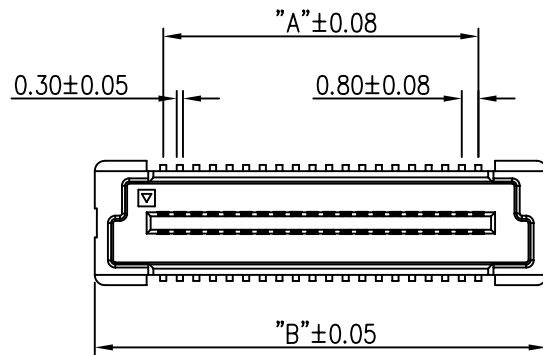
3

4

4

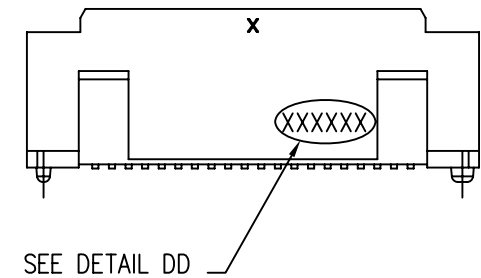
1

PRODUCT NO.	NO. OF POSITION	DIMENSION		
		A	B	C
61083-044***	2X20	15.2	21.8	20.2
61083-064***	2X30	23.2	29.8	28.2
61083-084***	2X40	31.2	37.8	36.2
61083-104***	2X50	39.2	45.8	44.2
61083-124***	2X60	47.2	53.8	52.2
61083-144***	2X70	55.2	61.8	60.2
61083-164***	2X80	63.2	69.8	68.2
61083-184***	2X90	71.2	77.8	76.2
61083-204***	2X100	79.2	85.8	84.2



DATE CODE: XXXXXX
 DAY<01~31>
 MONTH<01~12>
 YEAR<00~99>

DETAIL DD



PLUG 4

dr	MAGGIE WU	1999-03-24	projection	mm	size	A3	scale	3:1	
eng	YU WEN CHU	1999-03-24			ecn no		-		
chr	M CHEONG	2011-10-20			-		-		RELEASE
appr	CH TAN	2011-10-20	product family	Bergstak	-		rel level	RELEASE	
			title		BERGSTAK 0.8mm BTB		dwg no	61083	
www.fci.com			cat. no.		-		Product - Customer drw	rev	AF
			-		-		sheet 5 of 6		

Copyright FCI

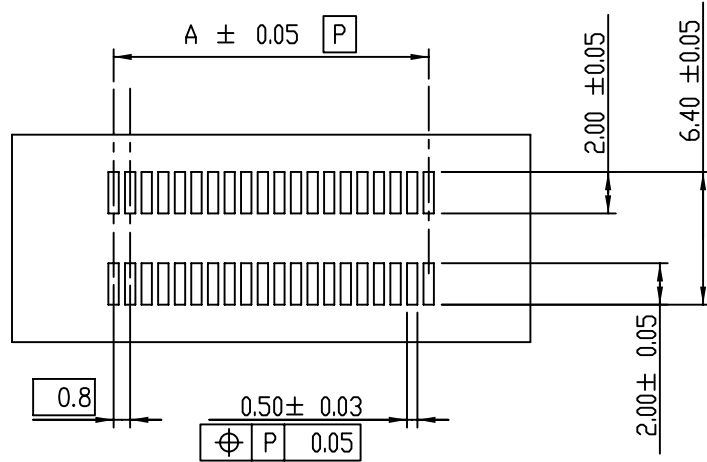
FOR PLUG 1/2/3/4

A

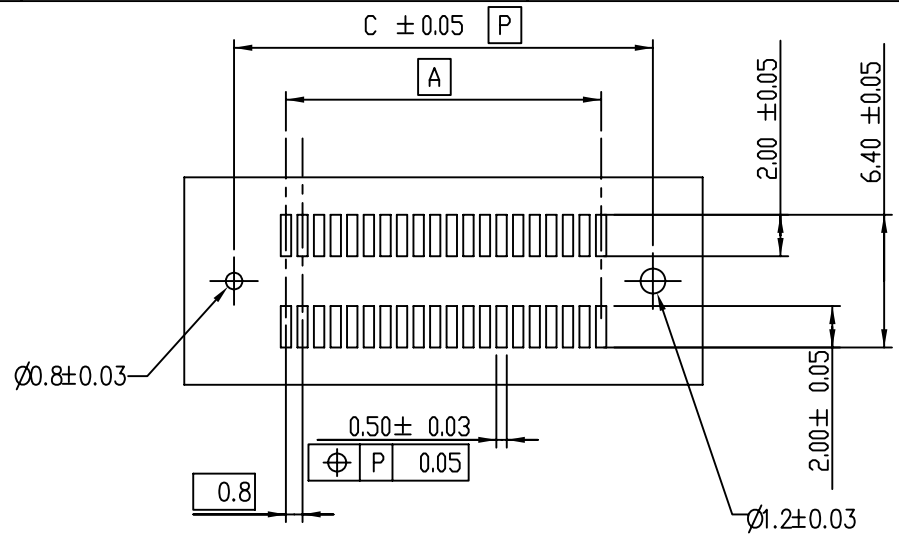
B

C

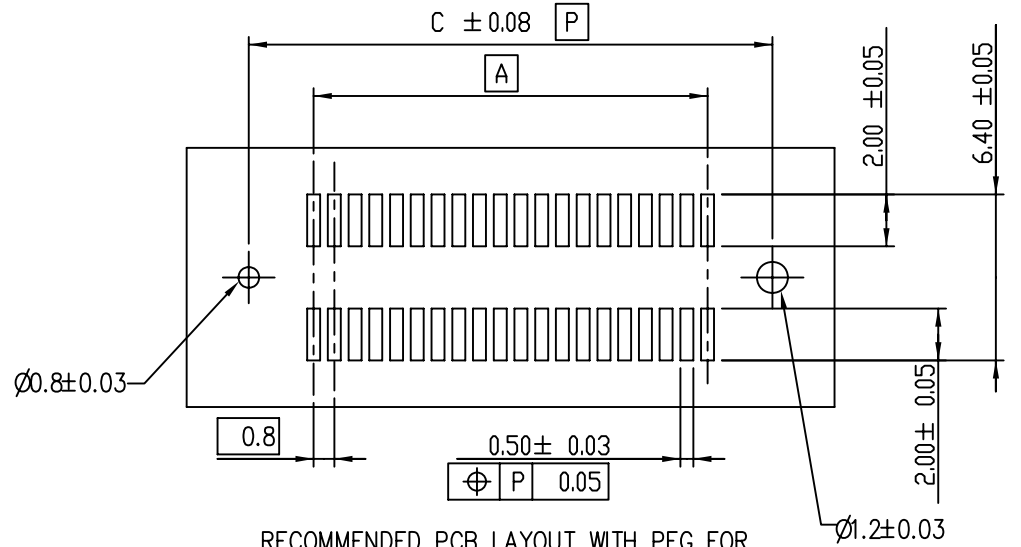
D



RECOMMENDED PCB LAYOUT WITHOUT PEG AND HOLDDOWN FOR NO. OF POS 2X20, 2X30, 2X40, 2X50 2X60



RECOMMENDED PCB LAYOUT WITH PEG FOR NO. OF POS 2X20, 2X30, 2X40, 2X50 2X60



RECOMMENDED PCB LAYOUT WITH PEG FOR NO. OF POS 2X70, 2X80, 2X90, 2X100



Copyright FCI.

dr	MAGGIE WU	1999-03-24	projection	mm	size	A3	scale	3:1		
eng	YU WEN CHU	1999-03-24			ecn no					
chr	M CHEONG	2011-10-20			-					
appr	CH TAN	2011-10-20	product family	Bergstak	rel level	RELEASE				
			title		BERGSTAK 0.8mm BTB		dwg no	61083	rev	AF
www.fci.com			cat. no.	-	Product - Customer drw			sheet 6 of 6		