

SPECIFICATIONS

SCSI Cables

Constituent
SCSI 68 Pos. + Twist & Flat Cable

FS68 Series
SCSI 3 Twist & Flat Cable

Mechanical

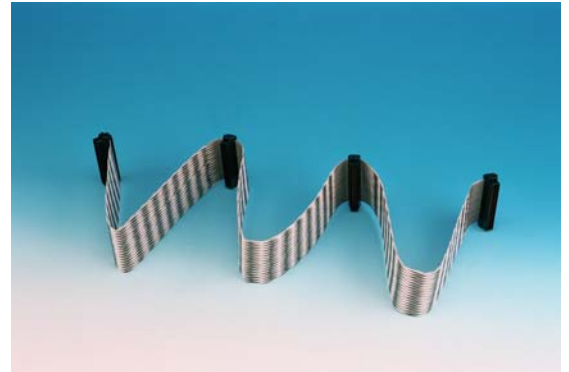
Connector Mating Force: 4.0kg max.
Connector Unmating Force: 2.5kg min.

Electrical

Voltage Rating: 100V
Current Rating: 1.0A

Physical

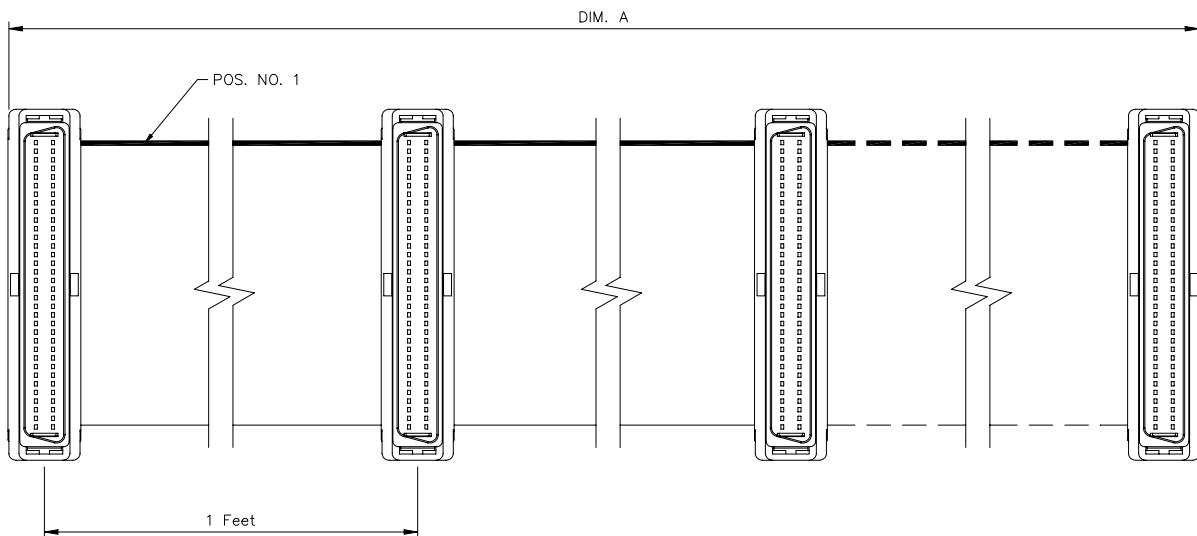
Housing, Cover & Spacer: PBT, UL 94-0 rated
Connector Contact: Phosphor Bronze
Operating Temperature: -20 °C to +105 °C



Agency Approvals

Cable: UL 20744; Conn.: E93750; Cable Assembly: E98386

DRAWING



ORDERING INFORMATION

PRODUCT NO.: F S 68 *** - **

Flat Cable — F
 SCSI Cable — S
 68 Pos — 68
 *** — Run On#
 - —
 ** — Extension Code

FS68901-00	3 feet	4	3
FS68902-00	4 feet	5	4
FS68903-00	5 feet	6	5
FS68904-00	6 feet	7	6
P/N	DIM. A	Conn. No.	Drives No.