

PRODUCT NO.

73725

PRODUCT NUMBER CODE

73725-X X X X LF

HOUSING COLOR OPTION

- 0-WHITE
- 1-BLACK

SENSOR CONTACT OPTION

- 0-WITH SENSOR CONTACT
- 1-WITHOUT SENSOR CONTACT

SHIELD PLATING OPTION

- 1- 1.25µm MINIMUM NICKEL UNDERPLATE & 2.5µm MINIMUM BRIGHT TIN OVER ALL AREA. (HOLD DOWN STYLE "A")
- 2- 1.25µm MINIMUM NICKEL UNDERPLATED OVER ALL; 2.5 µm MINIMUM BRIGHT TIN PLATED ON HOLD DOWN AREA ONLY. (HOLD DOWN STYLE "B")
- 3- 1.25µm MINIMUM NICKEL UNDERPLATED OVER ALL; 2.5 µm MINIMUM BRIGHT TIN PLATED ON HOLD DOWN AREA ONLY. (HOLD DOWN STYLE "A")
- 4- 1.25µm MINIMUM NICKEL UNDERPLATED & 2.5µm MINIMUM BRIGHT TIN OVER ALL AREA. (HOLD DOWN STYLE "B")
- 5- 1.25µm MINIMUM NICKEL UNDERPLATED OVER ALL; 2.5µm MINIMUM BRIGHT TIN PLATED ON HOLD DOWN AREA ONLY (HOLD DOWN STYLE "C")
- 6- 1.25µm MINIMUM NICKEL ONLY. (HOLD DOWN STYLE "A")
- 7- 1.25µm MINIMUM NICKEL UNDERPLATED & 2.5 µm MINIMUM MATTE TIN PLATED OVER ALL. (HOLD DOWN STYLE "A")
- 8- 1.25µm MINIMUM NICKEL UNDERPLATED & 2.5 µm MINIMUM MATTE TIN PLATED ALL AREA. (HOLD DOWN STYLE "B")
- 9- 1.25µm MINIMUM NICKEL UNDERPLATED OVER ALL; 2.5 µm MINIMUM MATTE TIN PLATED ON HOLD DOWN AREA ONLY (HOLD DOWN STYLE "D")
- S- 1.25µm MINIMUM NICKEL ONLY;(HOLD DOWN STYLE "A"). HIGH PERFORMANCE MATERIAL FOR 12,000 DURABILITY CYCLES
- A- 1.25µm MINIMUM NICKEL PLATED OVER ALL. 2.5 µm MINIMUM MATTE TIN PLATED ON HOLD DOWN AREA ONLY (HOLD DOWN STYLE "B")

TERMINAL PLATING OPTION

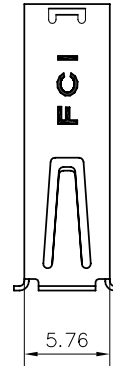
- 0-50u" NI UNDERPLATE; 30u" GXT CONTACT AREA 100u" TIN TAIL AREA; TAIL LENGTH: 2.29
- 1-50u" NI UNDERPLATE; 30u" GXT CONTACT AREA 100u" TIN TAIL AREA; TAIL LENGTH: 3.71

NOTES:

- MATERIAL:
CONTACTS: COPPER ALLOY
SHIELD: COPPER ALLOY
HOUSING: UL 94V-0 THERMOPLASTIC, COLOR: SEE PRODUCT CODE
- PLATING:
CONTACTS: GOLD FLASH OVER PALLADIUM NICKEL (0.76µm MINIMUM) IN CONTACT AREA; 2.5 µm TIN MINIMUM IN SOLDER TAIL AREA.
1.27 µm MINIMUM NICKEL UNDERPLATE OVER ALL SURFACES.
SHIELD: SEE PRODUCT NUMBER CODE.
(THE PLATING MEASURE POINT ON THE SHIELD HOLD DOWN AREA ONLY).
- DATUMS & BASIC DIMENSIONS TO BE DETERMINED BY CUSTOMER
- RECOMMENDED PCB BOARD THICKNESS IS 1.00 ~ 1.60mm EXCEPT 73725-1191BLF; 73725-1191BLF CAN BE USED FOR THE PCB BOARD THICKNESS 2.30 ~ 2.65mm.
- MAXIMUM PANEL THICKNESS TO BE 2.67mm IF MOUNTED BEHIND PANEL
- METAL SHELL SLIVER 0.20 MAX.
- NI PLATING DOES NOT COMPLY WITH THE USB STANDARDS (TO BE CONTINUED)

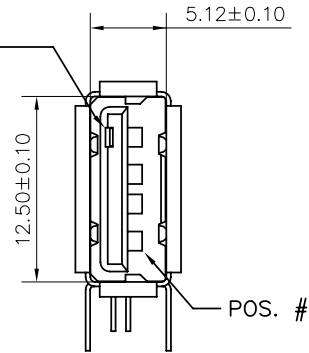
LEAD FREE OPTION SEE NOTE 9

PACKAGING OPTION B - TUBE R - TAPE&REEL



5.76

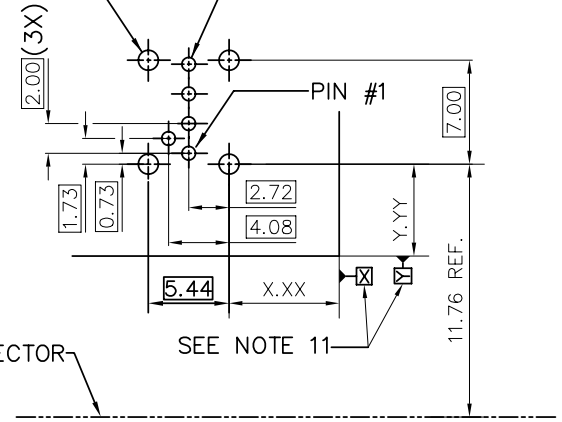
SENSOR CONTACT



POS. #1

WITH SENSOR CONTACT

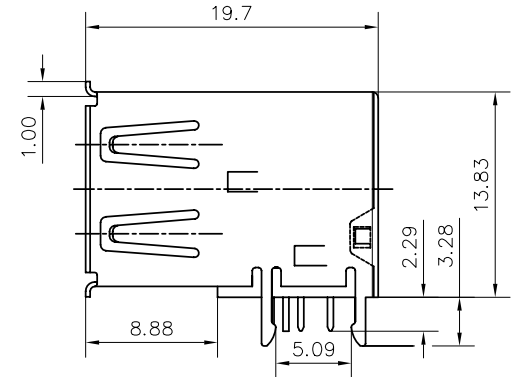
$\phi 1.35 \pm 0.05 (4X)$
 $\phi 0.92 \pm 0.05 (5X)$
 $\phi 0.1 (M) (X) (Y)$



FRONT OF CONNECTOR

SEE NOTE 11

PC BOARD MOUNTING DIMENSIONS FOR 5 PIN



FOR 73725-X0X0B HOLD DOWN STYLE "A"

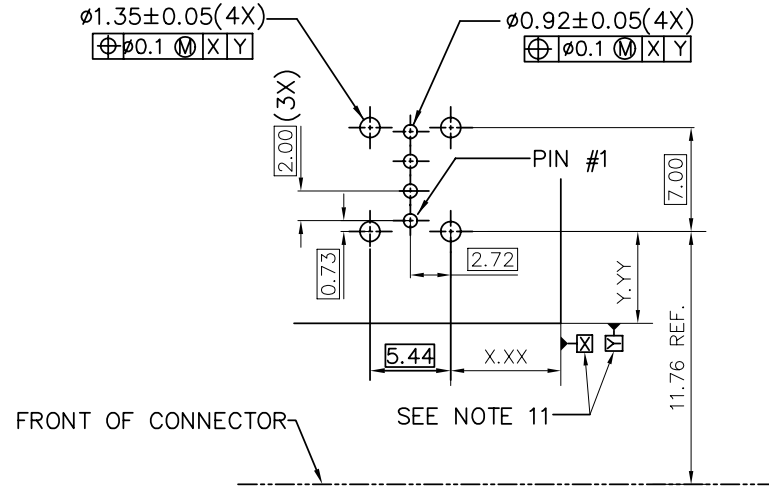
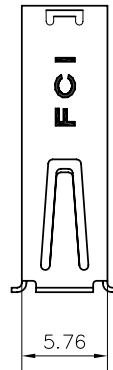
mat'l code				tolerance unless otherwise specified		CUSTOMER COPY		FCI www.fciconnect.com	
rev.	ecn no.	dr	date	linear	.0 ± .30	projection		title	
AB	N09-0202	R.B	2009/06/25		.00 ± .20	⊕		USB UP-RIGHT RECEIPT	
AC	N10-0128	A.ZH	05/14/2010		.000± 0.10				
AD	ELX-N-01000	A.ZH	06/25/2012	angles	± 2°				
AE	ELX-N-13463	A.ZH	11/14/2012	dr	PAMP	5/20/97	unit	product family USB	
AF	ELX-N-14592	J.HAN	06/10/2013	enqr	R Y LIU	5/20/97	mm	code NT	
				chr	R Y LIU	5/20/97	scale	sheet 1 OF 4	
				appd	JENN TSAO	5/20/97			
sheet	revision	AF							
index	sheet	1-4							

PRODUCT NO.

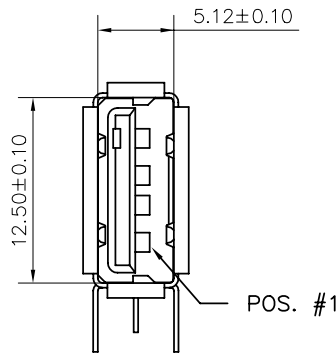
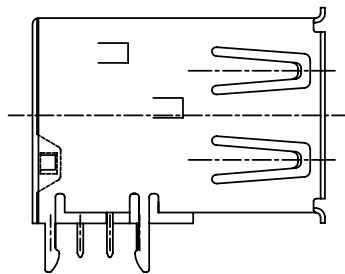
73725

(CONTINUED)

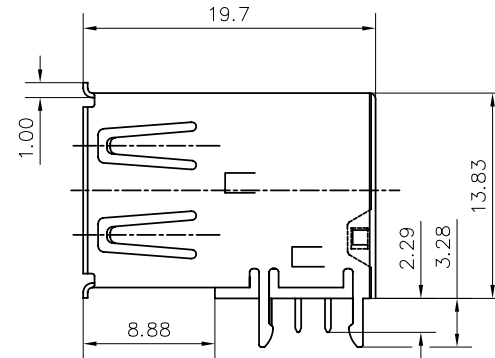
- 8. P/N'S WITH SUFFIX "LF" ARE LEAD FREE P/N'S
- 9. FOR LEAD FREE P/N, THE PRODUCT MEET EUROPEAN UNION DIRECTIVES AND OTHER COUNTRY REGULATION AS DESCRIBED IN GS-22-008
- 10. FOR THE PRODUCTS WITH THE METAL SHELL PLATING NICKEL AND MATTE SN CAN WITHSTAND EXPOSURE TO 260°C PEAK TEMPERATURE FOR 40 SECONDS IN A CONVECTION, INFRA-RED OR VAPOR PHASE REFLOW PROCESS; FOR THE PRODUCTS WITH METAL SHELL PLATING BRIGHT SN OR SEMI-BRIGHT SN CAN'T WITHSTAND REFLOW AND JUST CAN WITHSTAND EXPOSURE TO 260°C PEAK TEMPERATURE FOR 10 SECONDS IN WAVE SOLDERING PROCESS.
- 11. FOR ALL LEAD FREE P/N'S, WITH SUFFIX LF.
- 12. THE PRODUCT CAN BE USED FOR PIP PROCESS
- 13. DATUM OF CUSTOMER'S PCB LAYOUT.




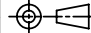
PC BOARD MOUNTING DIMENSIONS FOR 4 PIN



WITHOUT SENSOR CONTACT



FOR 73725-X1X0B

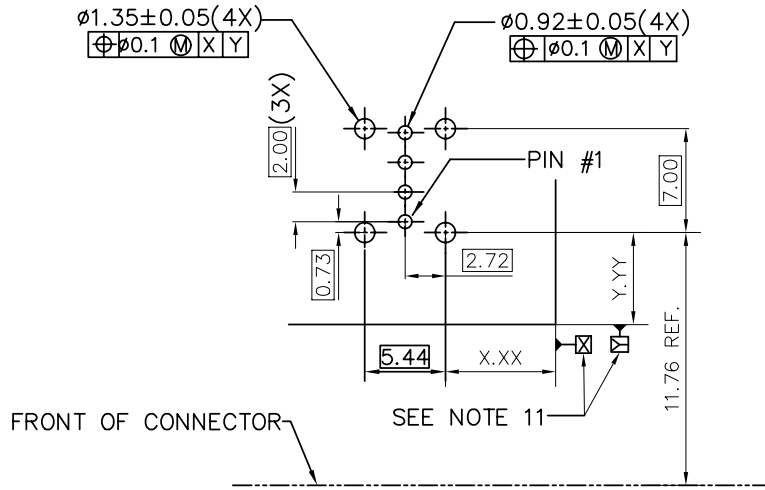
mat'l code		tolerance unless otherwise specified		CUSTOMER COPY		 www.fclconnect.com	
rev.	ecn no.	dr	date	linear	.0 ± .30	projection	title USB UP-RIGHT RECEIPT
AF					.00 ± .20		
				angles	± 2°		
				dr	PETER PAM 9/4/97	unit	product family USB
				enr	R Y LIU 9/4/97	mm	code NT
				chr	R Y LIU 9/4/97	scale	size dwg no.
				appd	JENN TSAO 9/4/97	A3	73725
sheet	revision						sheet 2 OF 4
index	sheet						



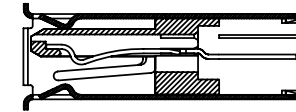
Copyright FCI.

PRODUCT NO.

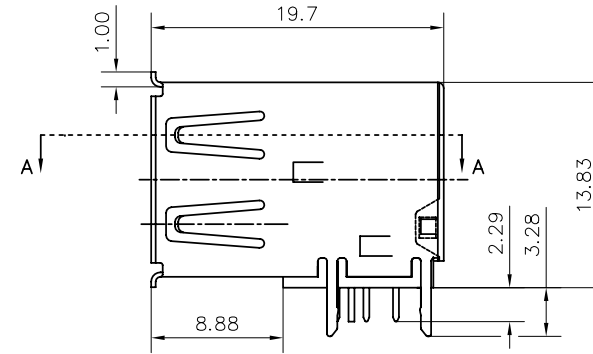
73725



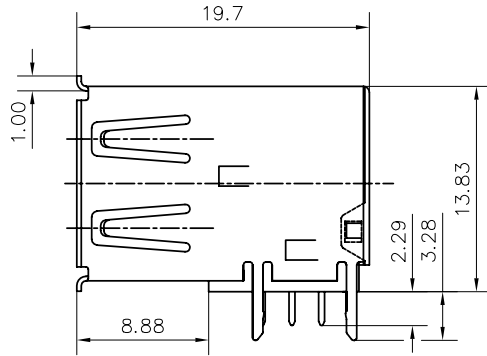
PC BOARD MOUNTING DIMENSIONS FOR 4 PIN



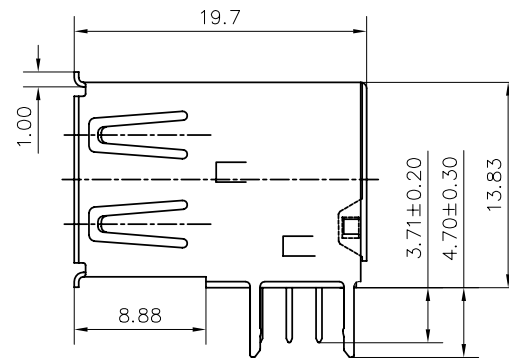
SECTION A-A




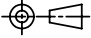
WITH SENSOR CONTACT
FOR 73725-X0X0B
HOLD DOWN STYLE "B"



WITHOUT SENSOR CONTACT
FOR 73725-X1X0B
HOLD DOWN STYLE "B"



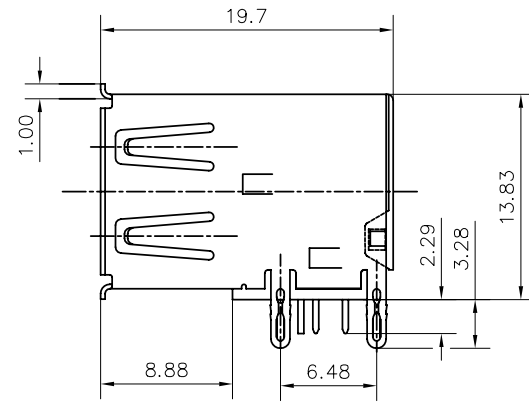
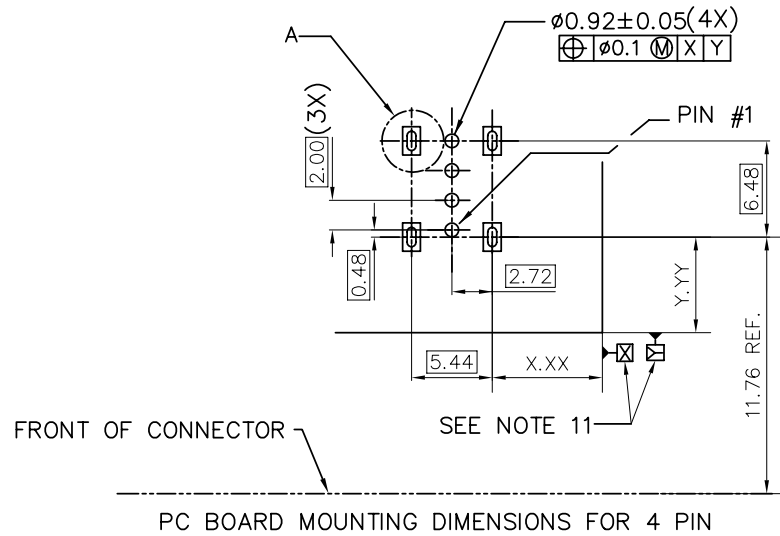
WITHOUT SENSOR CONTACT
FOR 73725-X191XLF
HOLD DOWN STYLE "D"

mat'l code		tolerance unless otherwise specified		CUSTOMER COPY		 www.fciconnect.com	
rev.	ecn no.	dr	date	linear	.0 ± .30	projection	 title USB UP-RIGHT RECEPT
AF					.00 ± .20		
					.000± 0.10		
				angles	± 2°		
		dr	PETER	5/20/97	unit	product family USB	code
		enr	JOHN WEN	5/20/97	mm	size	NT
		chr	JOHN WEN	5/20/97	scale	dwg no.	sheet
		appd	JENN TSAO	5/20/97		A3	3 OF 4
sheet index	revision sheet						

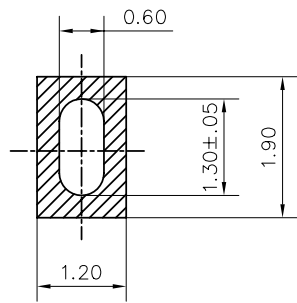


Copyright FCI.


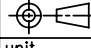
PRODUCT NO.
73725



WITHOUT SENSOR CONTACT
FOR 73725-X1X0B
HOLD DOWN STYLE "C"



DETAIL A 5 : 1

mat'l code		tolerance unless otherwise specified		CUSTOMER COPY		 www.fciconnect.com		
rev.	ecn no.	dr	date	linear	.0 ± .30	projection	 title USB UP-RIGHT RECEPT	
AF					.00 ± .20			
				angles	.000 ± 0.10			
					± 2°			
		dr	PETER	01/12/99	unit	product family USB		
		enr	R Y LIU	01/12/99	mm	size	code NT	
		chr	R Y LIU	01/12/99	scale	dwg no.	sheet 4 OF 4	
		appd	JENN TSAO	01/12/99		A3	73725	
sheet	revision							
index	sheet							



Copyright FCI.

Find price and stock options from leading distributors for 73725-0110BLF on Findchips.com:

<https://findchips.com/search/73725-0110BLF>

Find CAD models and details for this part:

<https://findchips.com/detail/73725-0110blf/Amphenol-FCi>