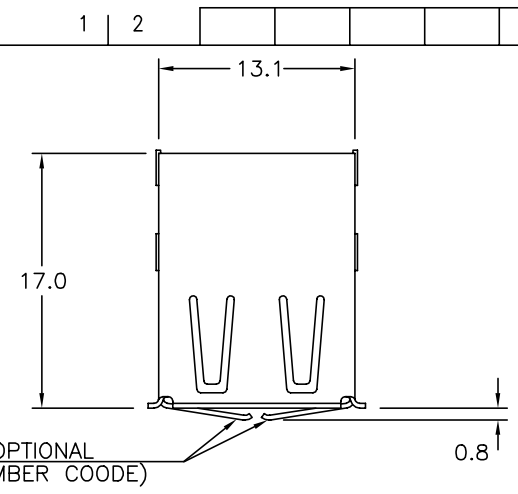
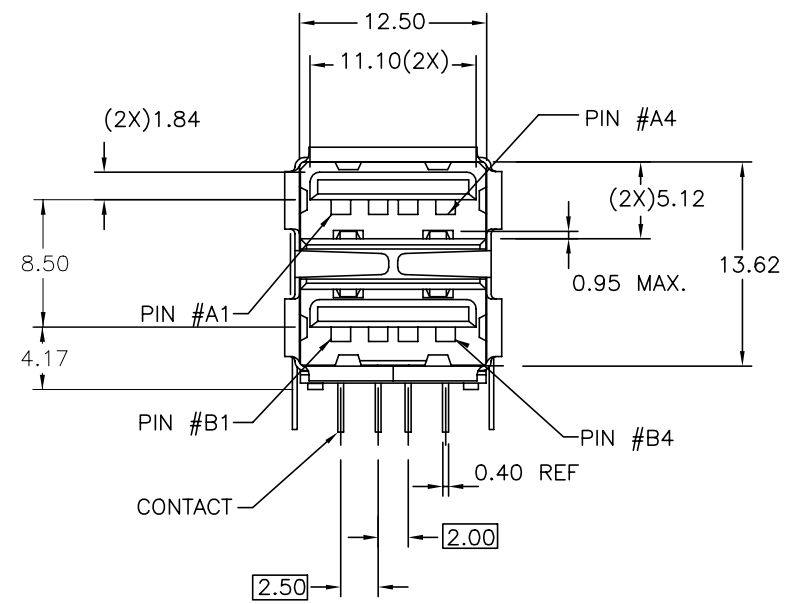


- NOTES:
- MATERIAL:
CONTACTS—COPPER ALLOY
SHELL—COPPER ALLOY
HOUSING—UL 94-V-0 RATED THERMOPLASTIC.
 - PLATING:
CONTACTS: SEE PRODUCT NUMBER CODE;
SHELL: SEE PRODUCT NUMBER CODE.
 - DATUM AND BASIC DIMENSIONS ESTABLISHED BY CUSTOMER.
 - RECOMMENDED PC BOARD THICKNESS OF 1.57mm.
 - P/N SEE PRODUCT NUMBER CODE.
(TO BE CONTINUED)

mat'l. code NOTE 1 & 2				tolerances unless otherwise specified			CUSTOMER COPY		FCI www.fciconnect.com		
ltr	ecn no	dr	date	linear	.X ±.30		projection	title UNIV. SERIAL BUS DOUBLE DECK RECEPTACLE			
AC	N05-0068	PH	03/09/05		.XX ±.20			mm	product family USB		
AD	N05-0106	PH	04/13/05		.XXX ±.10				size dwg no		
AE	N06-0101	HB	04/13/06	angles	0° ±3°		scale	A4 72309			
AF	N06-0133	HB	05/17/06	dr	PETER	12/10/97		2:1	code		
AG	N08-0198	R.B	2008/09/10	engr	R Y LIU	12/10/97	sheet				
AH	N08-0238	R.B	2008/11/01	chr	R Y LIU	12/10/97	1 of 4				
AJ	ELX-N-004655	AZH	2011/07/26	appd	JENN TSAO	12/10/97					
sheet	revision										
index	sheet										

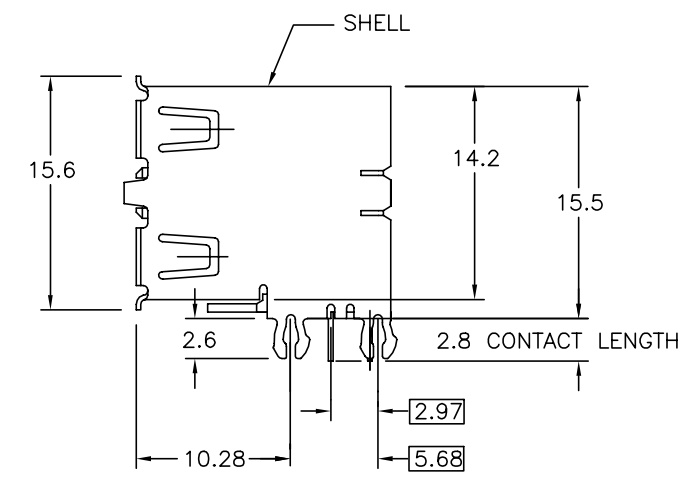


CONTACT ARMS OPTIONAL
(SEE PRODUCT NUMBER COODE)



ASSEMBLY WITHOUT BACK SHIELD
72309-XX3XX SHOWN

- (CONTINUED)
- FOR LEAD FREE P/N, A LEAD FREE LABEL WILL APPEAR AT PACKING.
 - FOR LEAD FREE P/N, THE HOUSING WILL WITHSTAND EXPOSURE TO 260°C PEAK TEMPERATURE FOR 40 SECONDS IN A CONVECTION, INFRA-RED OR VAPOR PHASE REFLOW OVEN.
 - FOR LEAD FREE P/N, THE PRODUCT MEET EUROPEAN UNION DIRECTIVES AND OTHER COUNTRY REGULATION AS DESCRIBED IN GS-22-008
 - PACKAGING SPECIFICATION PER GS-14-393.
 - PRODUCT SPECIFICATION PER GS-12-095.

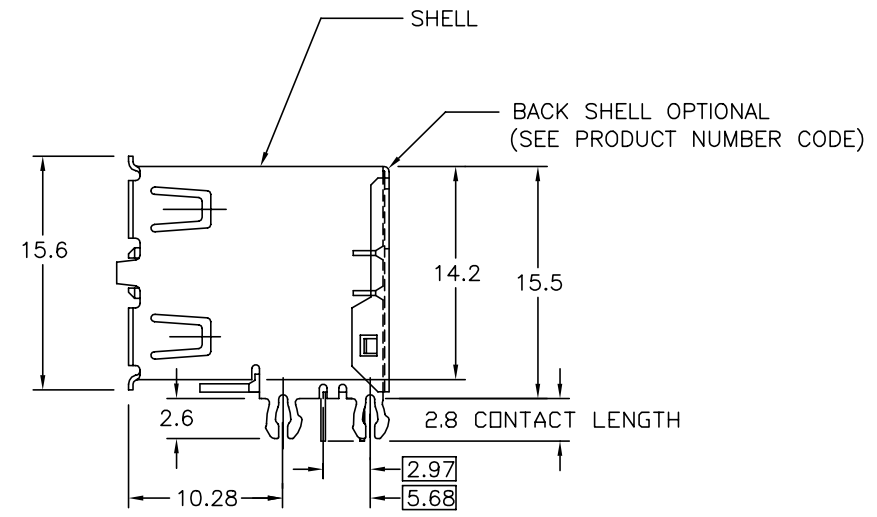
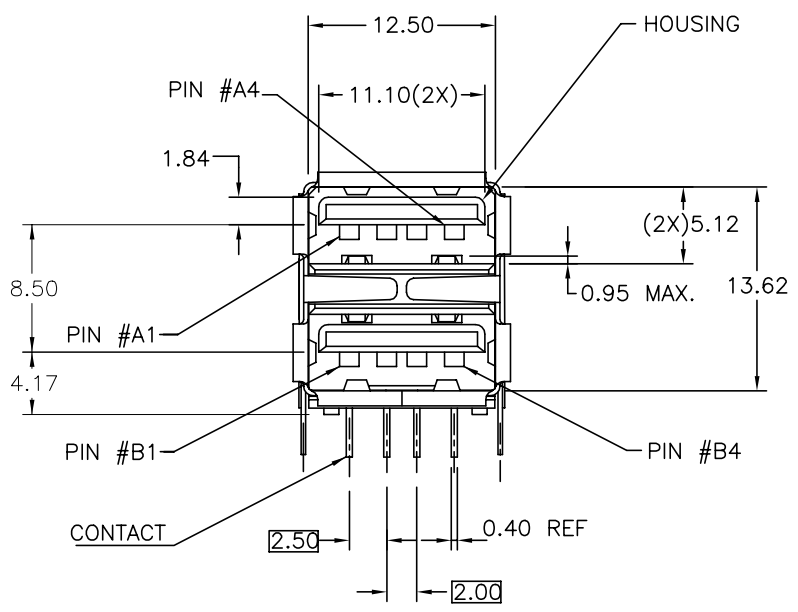
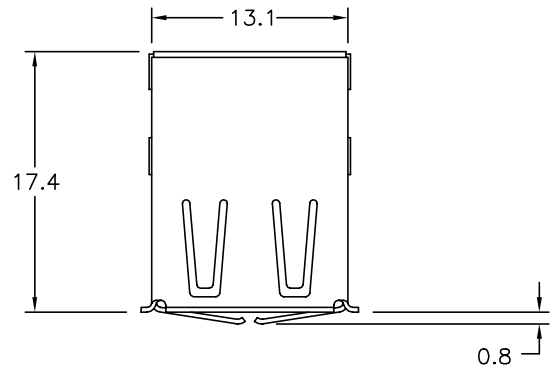


mat'l. code				tolerances unless otherwise specified			CUSTOMER COPY		FCI		
ltr	ecn no	dr	date	linear	.X ±.30		projection	www.fciconnect.com			
AJ					.XX ±.20			title	UNIV. SERIAL BUS		
					.XXX ±.10				DOUBLE DECK RECEPTACLE		
				angles	0° ±3°		mm	product family		code	
				dr	PETER PAM	12/10/97		USB		-	
				enr	R Y LIU	12/10/97	scale	size		sheet	
				chr	R Y LIU	12/10/97		A4		2 of 4	
				appd	JENN TSAO	12/10/97		72309			
sheet index	revision sheet						2 : 1				

Tous droits strictement reserves. Reproduction ou communication a des tiers interdite sous quelque forme que ce soit sans autorisation écrite du propriétaire.
Propriete de ©FCI. Droits de reproduction FCI.



All rights strictly reserved. Reproduction or issue to third parties in any form whatever is not permitted without written authority from the proprietor.
Property of ©FCI. Copyright FCI.



ASSEMBLY WITH BACK SHIELD
72309 - XX4XX SHOWN

mat'l. code				tolerances unless otherwise specified			CUSTOMER COPY		FCI www.fciconnect.com	
ltr	ecn no	dr	date	linear	.X ±.30			projection	title	
AJ					.XX ±.20				UNIV. SERIAL BUS	
					.XXX ±.10				DOUBLE DECK RECEPTACLE	
				angles	0° ±3°			mm	product family	
				dr	PETER PAM	12/01/97	scale		USB	
				enr	R Y LIU	12/10/97		2 : 1	code	
				chr	R Y LIU	12/10/97			size dwg no	
				appd	JENN TSAO	12/10/97		A4 72309		sheet
sheet index	revision sheet							cage code		
								2520		

All rights strictly reserved. Reproduction or issue to third parties in any form whatever is not permitted without written authority from the proprietor. Copyright © FCI
 Tous droits strictement réservés. Reproduction ou communication à des tiers interdite sous quelque forme que ce soit sans autorisation écrite du propriétaire. Droits de reproduction FCI.

PRODUCT NUMBER CODE

72309 - X X X X X P S LF

- BASE PRODUCT NUMBER _____
- HOUSING COLOR + SHELL PLATING OPTIONS
 - 0 - WHITE + NICKEL & TIN LEAD PLATING
 - 1 - BLACK + NICKEL & TIN LEAD PLATING
 - 2 - WHITE + NICKEL PLATING ONLY
 - 3 - BLACK + NICKEL PLATING ONLY
 - 4 - WHITE + NICKEL PLATING ONLY + LCP HSG
 - 5 - BLACK + NICKEL PLATING ONLY + LCP HSG
 - 6 - BLACK + NICKEL & TIN LEAD PLATING + LCP HSG
 - 7 - BLACK + NICKEL & BRIGHT TIN PLATING
 - 8 - WHITE + NICKEL & BRIGHT TIN PLATING
 - 9 - BLACK + NICKEL & BRIGHT TIN PLATING +LCP HSG
 - A - BLACK + NICKEL & MATTE TIN PLATING +LCP HSG
 - S - BLACK + NICKEL PLATING ONLY + LCP HSG
- SHELL PLATING OPTION
 - 0 - BARREL-PLATING
 - 1 - PRE-PLATING
- SHELL OPTIONS
 - 1 - NO BACK SHIELD, NO ARMS, FRONT GROUNDING ARMS
 - 2 - BACK SHIELD, NO FRONT GROUNDING ARMS
 - 3 - NO BACK SHIELD, FRONT GROUNDING ARMS
 - 4 - BACK SHIELD, FRONT GROUNDING ARMS
- TERMINAL OPTION
 - 3 - 50u" Ni UNDERPLATE,30u" GXT CONTACT AREA,100u" MATTE TIN TAIL AREA
2.80mm TAIL LENGTH
 - 4 - 50u" Ni UNDERPLATE,30u" GXT CONTACT AREA,100u" MATTE TIN TAIL AREA
2.80mm TAIL LENGTH
 - 5 - 50u" Ni UNDERPLATE,30u" GOLD CONTACT AREA,100u" MATTE TIN TAIL AREA
3.94mm TAIL LENGTH
- PACKAGING OPTIONS
 - B - TUBES
 - R - TAPE & REEL
- WITH DATE CODE _____
- ONLY FOR PANASONIC _____
- LEAD FREE MARK _____

LEAD FREE CONVERSION RULES -
 HOUSING COLOR AND SHELL PLATING OPTION: 0 TO 8, 1 TO 7, 6 TO 9
 TERMINAL PLATING OPTION: 0 TO 4, 2 TO 3
 SPECIFIC SHELL MATERIAL FOR 12K CYCLES DURABILITY,
 PART NUMBER: 72309-S033XPLF/-S034XPLF

NOTE:
 AVAILABLE P/N'S IN FCI NOW FOLLOWED:

- 72309-0010X/8014XLF
- 72309-0012X/8013XLF
- 72309-0020X/8024XLF
- 72309-0022X/8023XLF
- 72309-0030X/8034XLF
- 72309-0032X/8033XLF
- 72309-0040X/8044XLF
- 72309-0042X/8043XLF
- 72309-1010X/7014XLF
- 72309-1012X/7013XLF
- 72309-1020X/7024XLF
- 72309-1022X/7023XLF
- 72309-1030X/7034XLF
- 72309-1032X/7033XLF
- 72309-1040X/7044XLF
- 72309-1042X/7043XLF
- 72309-0110X/8114XLF
- 72309-0112X/8113XLF
- 72309-0120X/8124XLF
- 72309-0122X/8123XLF
- 72309-0130X/8134XLF
- 72309-0132X/8133XLF
- 72309-0140X/8144XLF
- 72309-0142X/8143XLF
- 72309-1110X/7114XLF
- 72309-1112X/7113XLF
- 72309-1120X/7124XLF
- 72309-1122X/7123XLF
- 72309-1130X/7134XLF
- 72309-1132X/7133XLF
- 72309-1140X/7144XLF
- 72309-1142X/7143XLF
- 72309-2010X/2014XLF
- 72309-2012X/2013XLF
- 72309-2020X/2024XLF
- 72309-2022X/2023XLF
- 72309-2030X/2034XLF
- 72309-2032X/2033XLF
- 72309-2040X/2044XLF
- 72309-2042X/2043XLF
- 72309-3010X/3014XLF
- 72309-3012X/3013XLF
- 72309-3020X/3024XLF
- 72309-3022X/3023XLF
- 72309-3030X/3034XLF
- 72309-3032X/3033XLF
- 72309-3040X/3044XLF
- 72309-3042X/3043XLF
- 72309-4040X/4044XLF
- 72309-5012X/5013XLF
- 72309-5030X/5034XLF
- 72309-5040X/5044XLF/5044XSLF
- 72309-5140X/5144XLF
- 72309-6220X/9224XLF
- 72309-A034XLF
- 72309-3015XLF
- 72309-3045XLF
- 72309-S033XPLF
- 72309-S034XPLF

mat'l. code NOTE 1 & 2				tolerances unless otherwise specified			CUSTOMER COPY		FCJ www.fciconnect.com	
ltr	ecn no	dr	date	linear				projection	title UNIV. SERIAL BUS DOUBLE DECK RECEPTACLE	
AJ										
				angles				mm	product family USB	
				dr	FUSSELMAN	5/10/96	size		code	
				enr	J. DAVID	5/10/96	dwg no		-	
				chr	J.DAVID	6/29/96	scale		sheet	
				appd	J.DAVID	6/29/96	2:1		4 of 4	
sheet index	revision sheet									