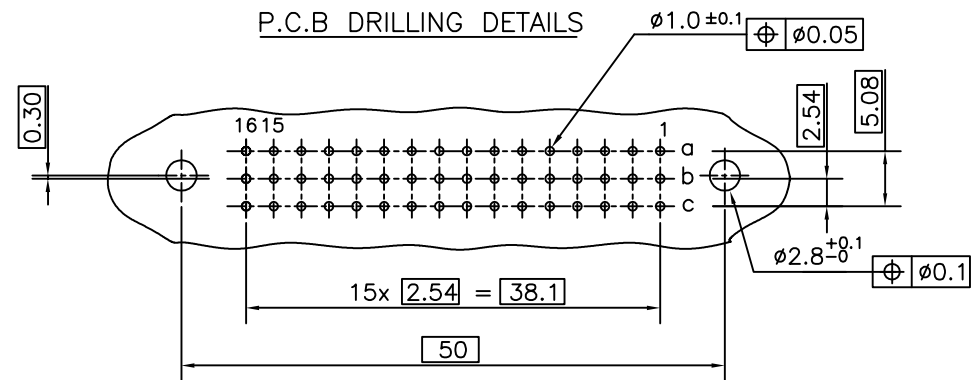
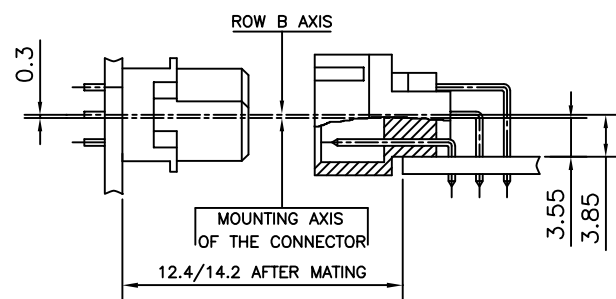


WITH HARPOONS NO OPTION

P.C.B DRILLING DETAILS



24	2.5
14	4.0
TERM. STYLE	L <sup>+0.7</sup> <sub>-0</sub>



TECHNICAL SPECIFICATION

HOUSING MATERIAL : THERMOPLASTIC POLYESTER UL94V-0, GREY  
 HOUSING CAN WITHSTAND EXPOSURE TO LEAD FREE WAVE SOLDERING TEMPERATURE OF 260-265°C FOR STRAIGHT CONNECTORS AS IT IS IN CLASSICAL LEAD WAVE SOLDERING AT 235-250°C

CONTACT / HARPOON MATERIAL : COPPER ALLOY  
 CONTACT PLATING : GOLD OVER NICKEL  
 ACTIVE ZONE : GOLD OVER NICKEL  
 TERMINATION ZONE : GOLD OVER NICKEL  
 TIN LEAD VERSION : TIN LEAD OVER NICKEL  
 LEAD FREE VERSION : TIN (PURE MATTE) OVER NI  
 HARPOON PLATING : TIN LEAD OVER NICKEL  
 TIN LEAD VERSION : TIN LEAD OVER NICKEL  
 LEAD FREE VERSION : TIN (PURE MATTE) OVER NI

ELECTRICAL DATA  
 CURRENT RATING AT 20°C : 1.5 A  
 CURRENT (I MAX) : 2 A  
 TEMPERATURE RANGE : -55°C/+125°C  
 CONTACT RESISTANCE : ≤ 20mΩ  
 INSULATION RESISTANCE : ≥ 10<sup>6</sup> MΩ  
 TEST VOLTAGE (rms) : 1000V

MECHANICAL DATA  
 INSERTION FORCE PER CONTACT : ≤ 0.94N  
 EXTRACTION FORCE PER CONTACT : ≥ 0.15N

REFERENCE SPECIFICATIONS : DIN 41612 / IEC 603-2

SERIES	8609	3	48	8	3	14	7	5	5	000E1	
ROWS FITTED WITH CONTACTS											
Rows a b c	3			48							
Rows a - c	4				32						
NUMBER OF CONTACTS											
TYPE OF INSULATOR	8										
3 ROW FEMALE INSULATOR	8										
METHOD OF MOUNTING											
STANDARD MOUNTING - STYLE C/2	3										
TERMINATION											
LONG STRAIGHT SPILL (L - SEE TABLE)	14										
SHORT STRAIGHT SPILL (L - SEE TABLE)	24										
OPTIONS											
NO OPTION	7										
WITH HARPOONS	H										
PERFORMANCE CLASS											
DIN 41612 CLASS 3	4										
DIN 41612 CLASS 2	5										
DIN 41612 CLASS 1	6										
AS PER MIL C 55302/ JSS 50808	8										
PITCH PER ROW											
2.54	5										
000E1	TIN LEAD VERSION										
E1LF	LEAD FREE VERSION										

mat'l. code		surface		tolerance		projection		product family	
-		ISO 1302		ISO 406 ISO 1101				8609	
ltr		ecn no		dr		date		title	
A		I04-0100		MINI		09/11/2004		DIN STANDARD RECEPTACLE	
B		I05-0042		MINI		19/05/2005		STRAIGHT SPILL DIN 41612 STYLE-C/2	
C		I06-0062		MINI		01/06/2006			
sheet index		revision		dr		date		dwg no	
		C		MINI K VANDANATH		22/09/2004		sheet 1 of 1	
		1		enfr		22/09/2004		size	
				chr		01/06/2006		A3	
				appd		01/06/2006		type	
				RAKHEE GEORGE				Product Customer Drawing	

NOTES:-  
 1. THE "LF" PRODUCTS MEET EUROPEAN UNION DIRECTIVES AND OTHER COUNTRY REGULATIONS AS DESCRIBED IN GS-22-008  
 2. THE HOUSING WILL WITHSTAND EXPOSURE TO 260°C PEAK TEMPERATURE FOR 3.5 SECONDS IN A WAVE SOLDER APPLICATION WITH A 1.6 MM MINIMUM THICK CIRCUIT BOARD  
 3. LEAD FREE OR RoHS DIRECTIVE LABELING TO BE PROVIDED AS PER GS-14-920 FOR LEAD FREE VERSION.