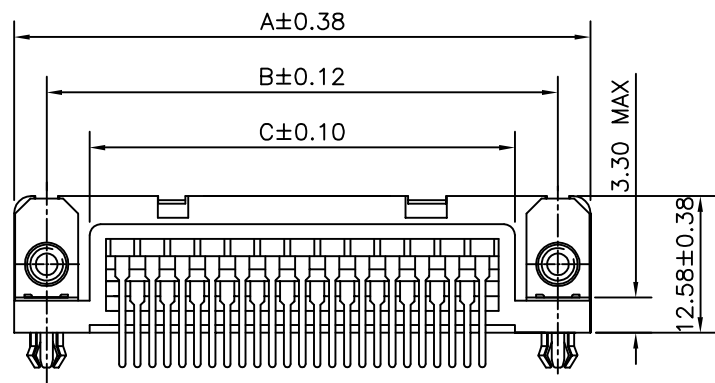
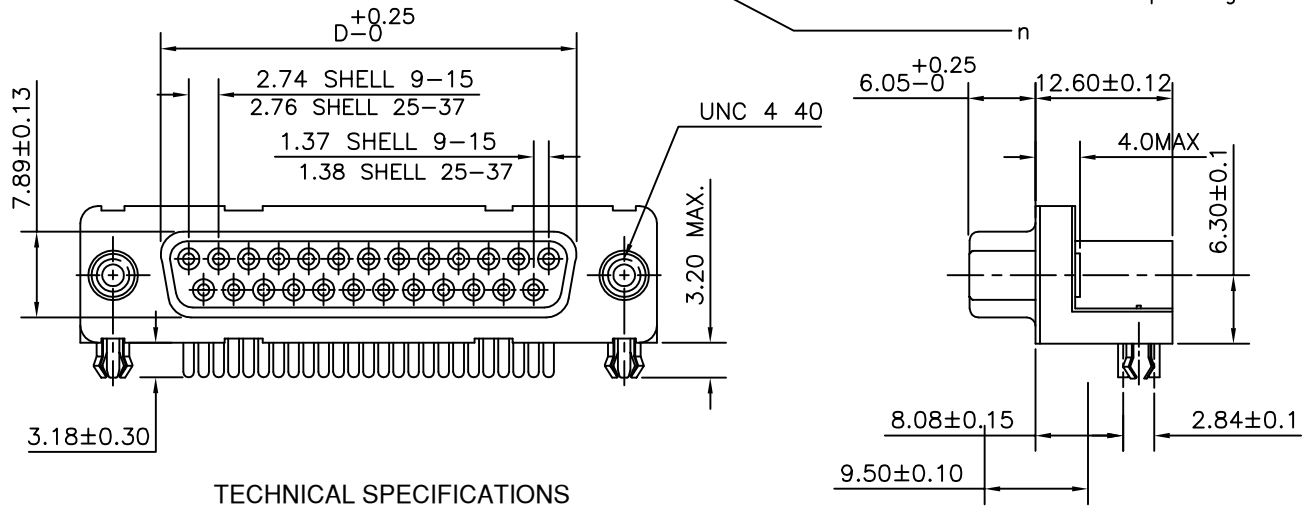
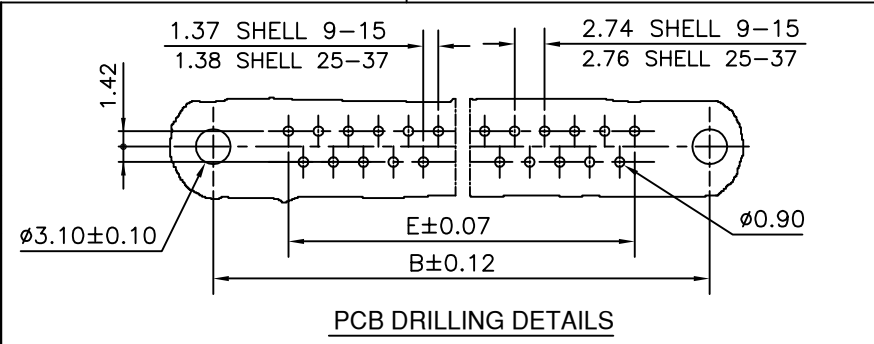


37	69.32	63.50	55.68	54.71	49.68
25	53.03	47.04	39.12	38.25	33.12
15	39.14	33.32	25.18	24.54	19.18
09	30.81	24.99	16.96	16.21	10.96
SHELL	A	B	C	D	E



- MATERIAL**
- SHELL : STEEL TIN/Zinc Cr 3 PLATED.
 - INSULATORS : SELF EXTINGUISHING BLACK POLYESTER UL CLASS 94V0
 - CONTACTS : COPPER ALLOY
 - PLATING : GOLD OVER NICKEL
 - ACTIVE ZONE : TIN LEAD OVER NICKEL
 - TERMINATION ZONE : 2µMIN.MATTE TIN TOP OVER
 - FOR LEAD FREE PLATING : 1.27µ MIN.NICKEL UNDER PLATE(ON TERMINATION ZONE)
 - METAL BRACKET : BRASS,TIN/Zinc Cr 3 PLATED.
 - HARPOON : BRASS,TIN PLATED.
 - SCREW LOCK : BRASS,TIN/Zinc Cr 3 PLATED.

- ELECTRICAL DATA**
- MAX.CURRENT RATING : 5A
 - TEST VOLTAGE : 1000V
 - RATED VOLTAGE : 300V
 - CONTACT RESISTANCE : ≤ 25mΩ
 - SHELL RESISTANCE : ≤ 5mΩ
 - INSULATION RESISTANCE : ≥ 5000MΩ
- ENVIRONMENTAL CHARACTERISTICS**
- OPERATING TEMPERATURE RANGE : -55°C +125°C
- MECHANICAL CHARACTERISTICS**
- MATING/UNMATING CYCLES (MIN) : 200 (FLASH Au); 500 (0.76µ Au)
 - INSERTION/EXTRACTION FORCE PER CONTACT : 5 N Max./ 0.3 N Min.

ORDERING INFORMATION

SERIES I D 2 5 S 3 3 E 4 G V 0 0 L F

NO.OF CONTACTS 09,15,25 & 37

TYPE OF CONTACTS S-SOCKET

TYPE OF TERMINATION 33-ANGLED SPILL

HEIGHT OF TERMINATION E-3.18 US STANDARD

LEAD FREE

SPECIAL CODE 00->STANDARD

MOUNTING OPTIONS

- GV->HARPOON+F.SCREW LOCK UNC 4 40+METAL BRACKET
- PV->FEMALE SCREW LOCK UNC 4 40
- GI->HARPOON+F.SCREW LOCK M3+METAL BRACKET

PLATING

- 4->FLASH Au+Sn/SnPb
- 6->0.76µ Au+Sn/SnPb

"This LF product meets European Union Directives and other country regulations as described in GS-22-008"

The housing will withstand exposure to 260°C peak temperature for 3.5 seconds in a wave solder application with a 1.6mm minimum thick circuit board. Packaging as per GS-14-920

mat'l. code		surface		tolerance		projection		product family	
SEE NOTE 4		ISO 1302		ISO 406 ISO 1101		MM		DELTA-D	
ltr	ecn no	dr	date	tolerances unless otherwise specified		MM		title	
D	106-0074	GVJ	2006/06/08	angles	linear	MM		DELTA-D A/S FEMALE CONNECTOR (GV VER.)	
				0°±1°	.00±0.1	scale		(WITH FEM. SCREW LOCK,HARPOON & METAL BRACKET)	
				dr	GEORGE.V.JOSEPH	1998/12/16		dwg no	
				engr	GEORGE.V.JOSEPH	1998/12/16		sheet 1 of 1	
				chr	GEORGE.V.JOSEPH	2006/06/22		size	
				appd	K_V_SIVADAS	2006/06/22		A3	
sheet index		revision sheet		D		FCI		type Product Customer Drawing	
1		1		1					

Copyright FCI
 FCconnect.com