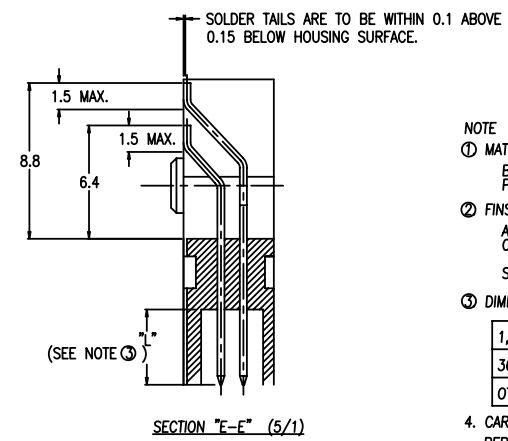
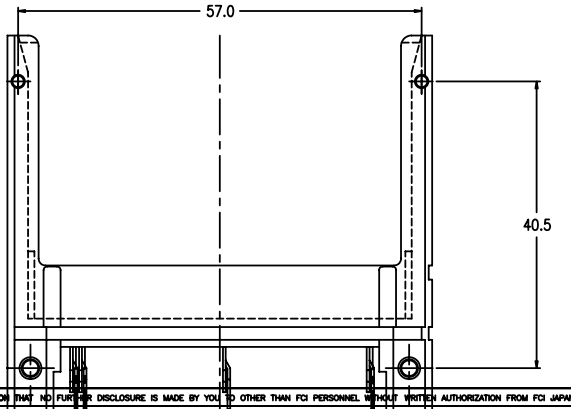
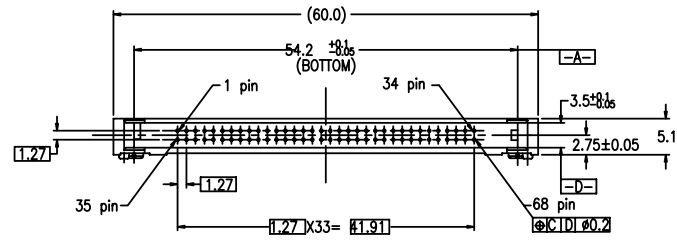
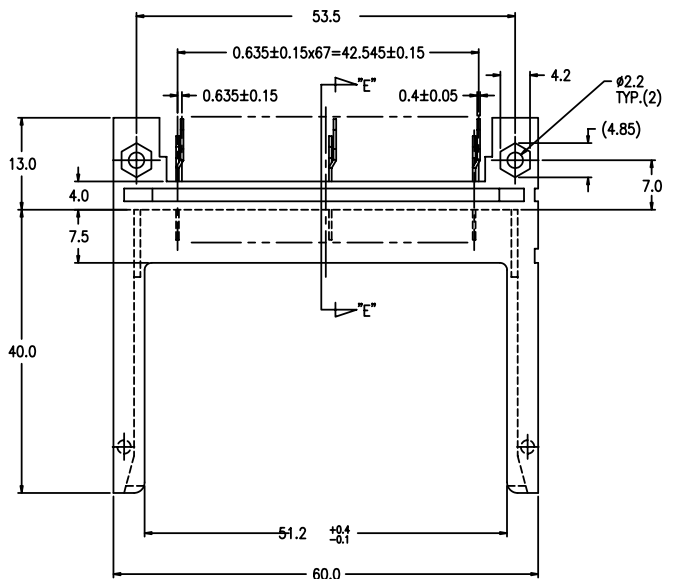
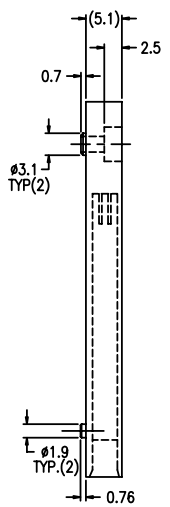


PRODUCT No.	FINISH
92150-001	SEE NOTE 2
△92150-001LF	SEE NOTE 5

REVISIONS				
REV	DESCRIPTION	ECN	BY	DATE
1	SKETCHED		KS	11/13/93
A	RELEASED	J30180	KS	6/10/93
B	REVISED	105-0279	M.Z	10/28/05



NOTE

① MATERIAL
 BODY : LCP UL94V-0 BLACK
 PIN : PHOSPHOR BRONZE

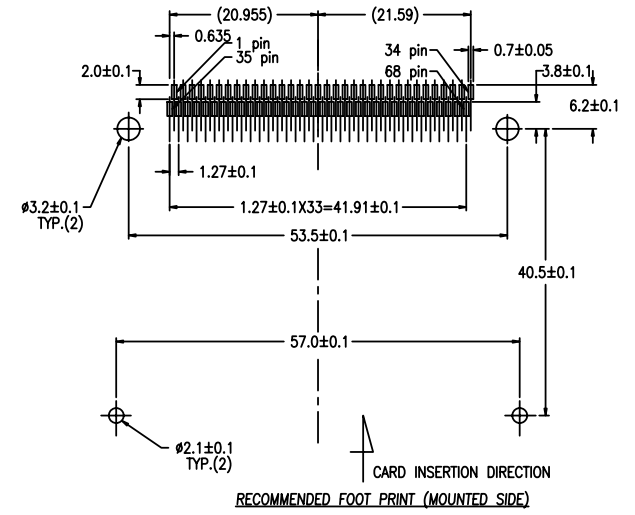
② FINSH(PIN)
 ALL OVER : Ni UNDER PLATING 0.5µm THK MIN.
 CONTACT AREA : Au 0.1µm THK MIN.
 OVER Pd/Ni 0.5µm THK MIN.
 SOLDER TAIL : Sn/Pb 2.5µm THK MIN.

③ DIMENSION "L"

1,17,34,35,51,68PIN	5.0±0.1
36,67PIN	3.5±0.1
OTHERS	4.25±0.1

4. CARD SLOT AND PIN DIMENSIONS
 PER JEIDA/PCMCIA STANDARDS

⑤ FINSH(PIN)
 ALL OVER : Ni UNDER PLATING 0.5 µM THK MIN.
 CONTACT AREA : Au 0.1µm THK MIN.
 OVER Pd/Ni 0.5 µM THK MIN.
 SOLDER TAIL : Sn 2.5µm THK MIN.



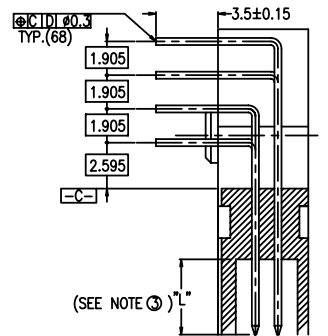
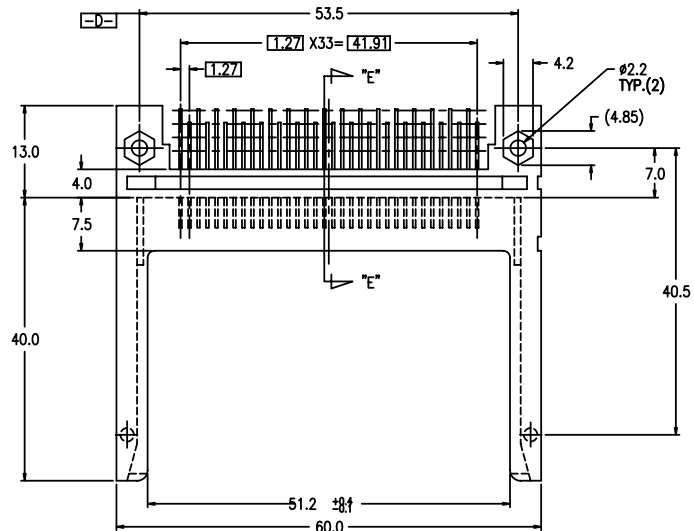
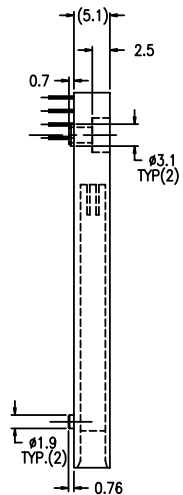
SHEET INDEX	ISSUE	B	B																	
	SH NO.	1	2																	
TOLERANCES UNLESS OTHERWISE SPECIFIED		±0.3		MAT		DR		DATE		CUSTOMER COPY		TITLE		PRODUCT FAMILY		CODE				
LINEAR				SEE NOTE ①		M.Hasegawa		7/19/05		SANF Header PCMCIA		JEIDA/PCMCIA TYPE I, II, III		SANF Header PCMCIA		JP				
ANGLES				FINISH		CHK		M.Hasegawa		THIRD ANGLE PROJ		SCALE		SIZE		DWG. NO.		REV SHEET		
						APPD				UNIT		2/1		C		92150		B 1 of 2		



DO NOT SCALE PRINT THIS INFORMATION IS CONFIDENTIAL AND IS DISCLOSED TO YOU ON CONDITION THAT NO FURTHER DISCLOSURE IS MADE BY YOU TO OTHER THAN FCI PERSONNEL WITHOUT WRITTEN AUTHORIZATION FROM FCI JAPAN K.K.

PRODUCT No.	FINISH
92150-002	SEE NOTE 2
A 92150-002LF	SEE NOTE 5

REVISIONS				
REV	DESCRIPTION	ECN	BY	DATE
1	SKETCHED		KS	11/13/92
A	RELEASED	U30180	KS	6/10/93
B	REVISED	105-0279	M.Z	10/28/05



SECTION "E-E" (5/1)

NOTE

① MATERIAL

BODY : LCP UL94V-0 BLACK
PIN : PHOSPHOR BRONZE

② FINISH (PIN)

ALL OVER : Ni UNDER PLATING 0.5µm THK MIN.
CONTACT AREA : Au 0.1µm THK MIN.
OVER Pd/Ni 0.5µm THK MIN.
SOLDER TAIL : Sn/Pb 2.5µm THK MIN.

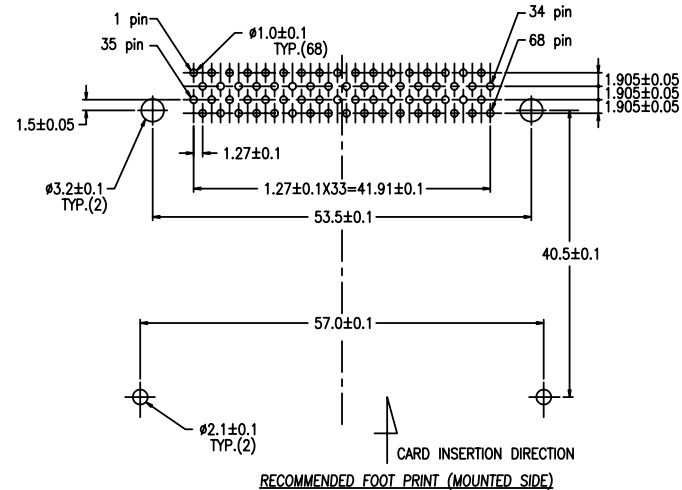
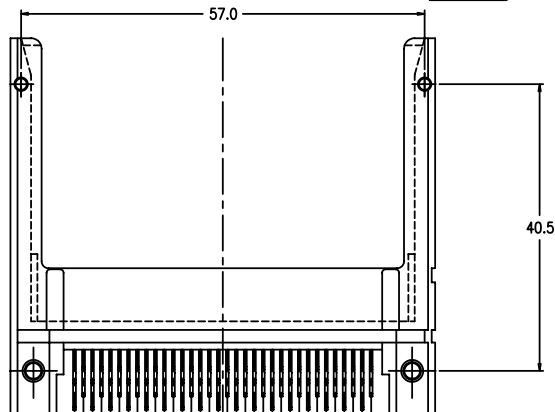
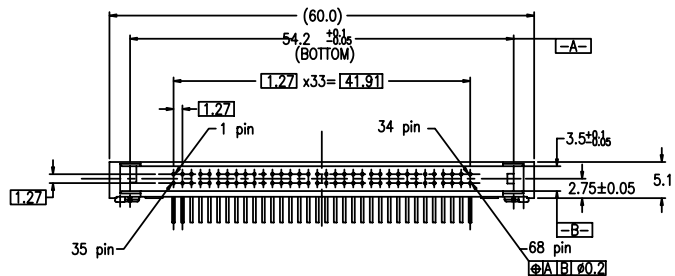
③ DIMENSION "L"

1,17,34,35,51,68PIN	5.0±0.1
36,67PIN	3.5±0.1
OTHERS	4.25±0.1

4. CARD SLOT AND PIN DIMENSIONS PER JEIDA/PCMCIA STANDARDS

⑤ FINISH (PIN)

ALL OVER : Ni UNDER PLATING 0.5 µm THK MIN.
CONTACT AREA : Au 0.1 µm THK MIN.
OVER Pd/Ni 0.5 µm THK MIN.
SOLDER TAIL : Sn 2.5µm THK MIN.



RECOMMENDED FOOT PRINT (MOUNTED SIDE)

SHEET INDEX	ISSUE													88POS. HEADER ASS'Y JEIDA/PCMCIA TYPE I, II, III	PRODUCT FAMILY SANF Header PCMCIA	CODE JP				
	SH. NO.																			
LINEAR	TOLERANCES UNLESS OTHERWISE SPECIFIED	±0.3	MAT	SEE NOTE ①	DR	M.Hasegawa	DATE	7/19/05	CUSTOMER COPY				SCALE	2/1	DWG. NO.	92150	REV	B	SHEET	2 of
	ANGLES		FINISH		CHK	M.Hasegawa							UNIT	MM						

DO NOT SCALE PRINT THIS INFORMATION IS CONFIDENTIAL AND IS DISCLOSED TO YOU ON CONDITION THAT NO FURTHER DISCLOSURE IS MADE BY YOU TO OTHER THAN FCI PERSONNEL WITHOUT WRITTEN AUTHORIZATION FROM FCI JAPAN K.K.