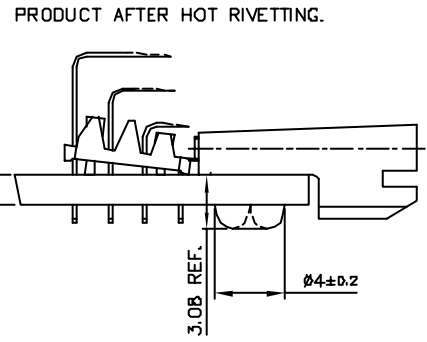
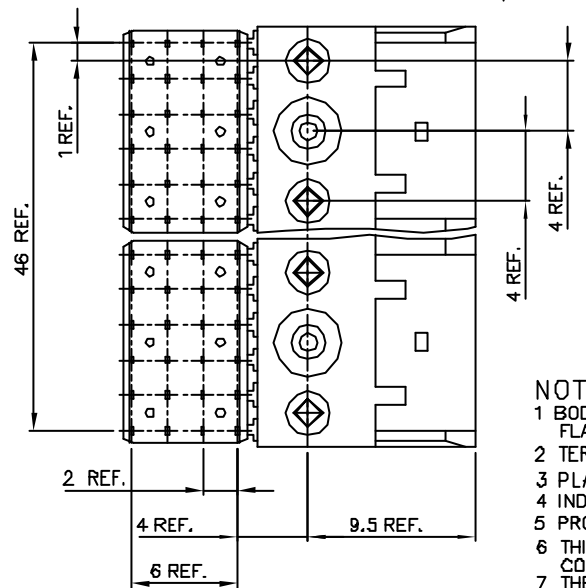
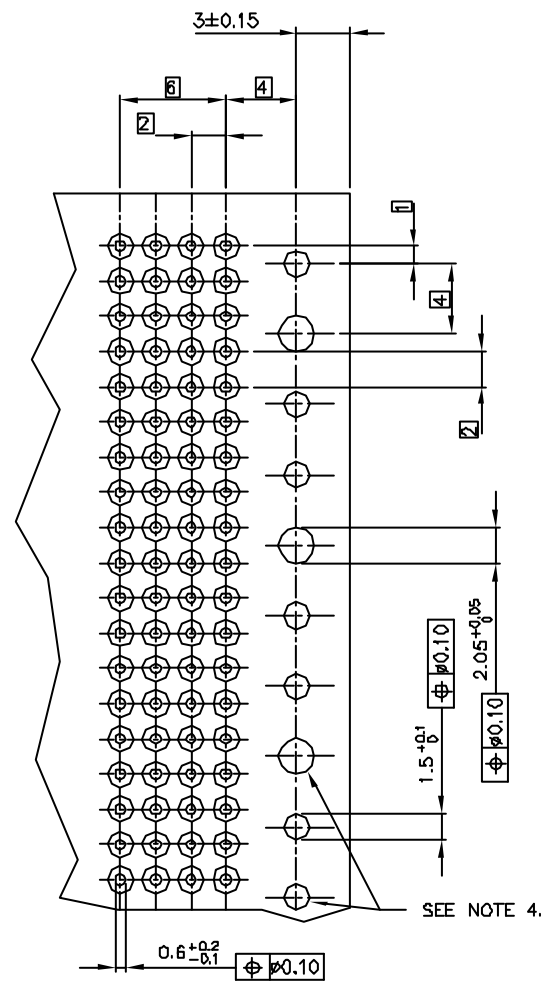
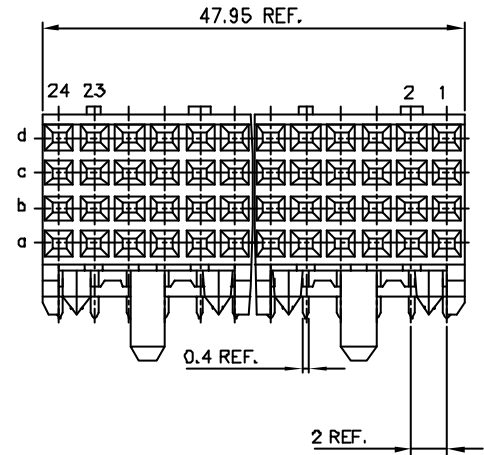
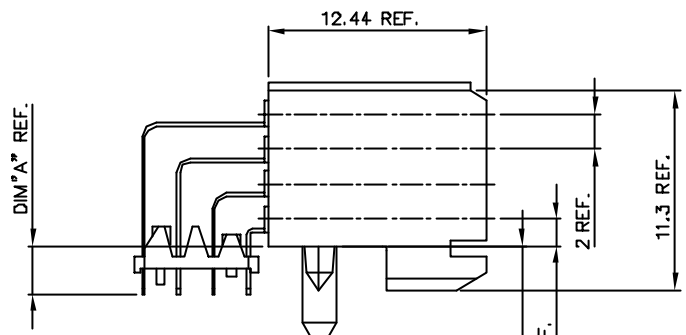


PC BOARD VERSIONS		
PRODUCTNR:	PCB THICKNESS	DIM "A"
70229-X01/XD1LF	1.6	2.73
70229-X11/X11LF	2.4	3.53



PC BOARD THICKNESS ±0.20
SEE TABLE

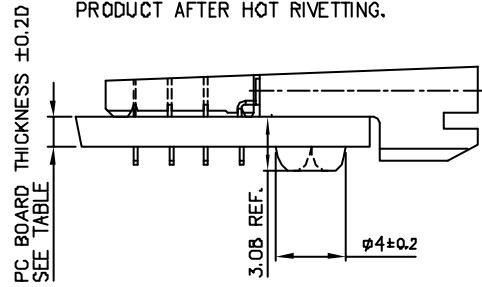
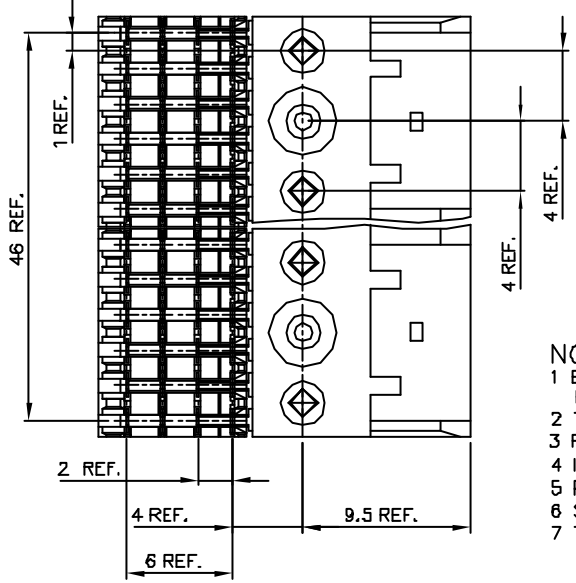
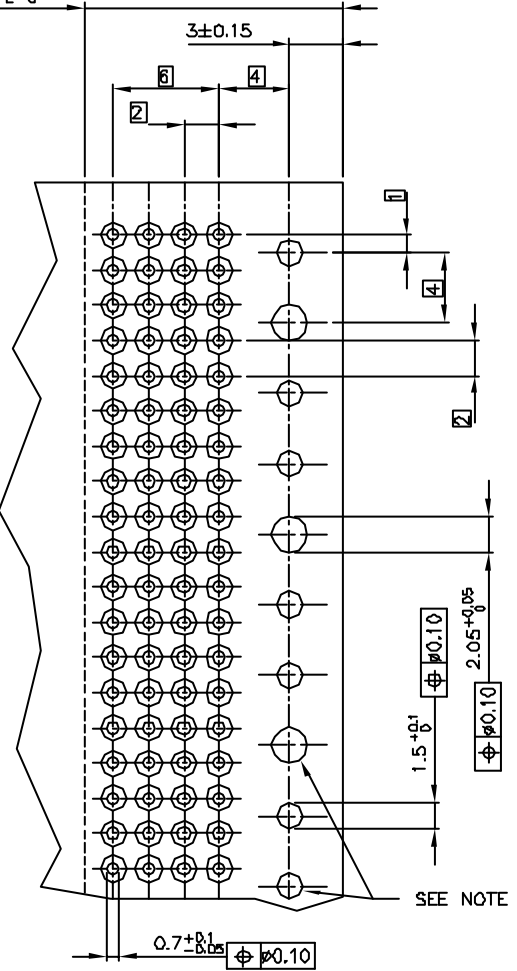
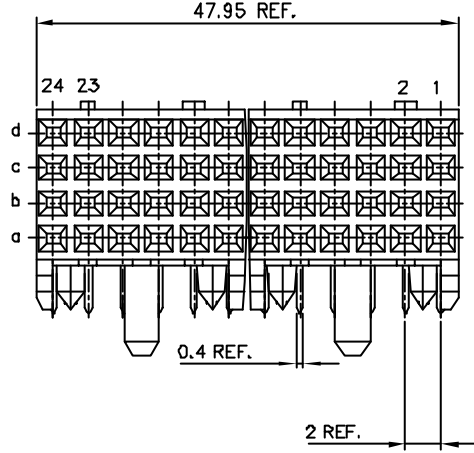
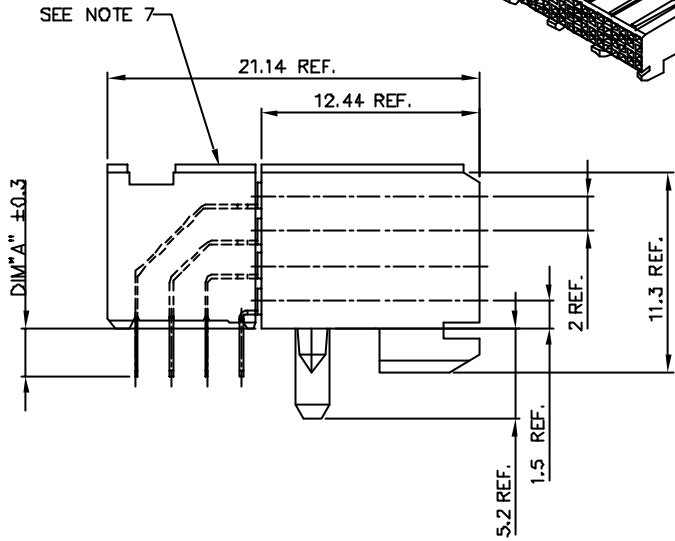
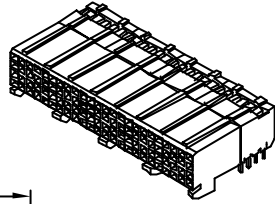
- NOTES:
- 1 BODY MAT'L: LIQUID CRYSTAL POLYMER 30% GLASS
FLAME RETARDANT ACC. UL 94-V0
 - 2 TERMINAL MATERIAL: PHOSPHOR BRONZE.
 - 3 PLATING SOLDER TAILS 2-8 µm SnPb 90-97 OR 2-8 µm PURE Sn
 - 4 INDICATED HOLES ARE UNPLATED.
 - 5 PRODUCT MARKING: PARTNUMBER & BATCH ID.
 - 6 THIS PRODUCT MEETS EUROPEAN UNION DIRECTIVES AND OTHER COUNTRY REGULATIONS AS DESCRIBED IN GS-22-008.
 - 7 THE HOUSING WILL WITHSTAND EXPOSURE TO 260DEGREE PEAK TEMPERATURE FOR 10 SECONDS IN A WAVE SOLDER APPLICATION.

PRODUCT NR:	PLATING CONTACT AREA	UNDERPLATING
70229-1YZ/1YZLF	0.8 µm GOLD	1.3 µm Ni MIN.
70229-2YZ/2YZLF	2 µm GOLD	1.3 µm Ni MIN.
70229-3YZ/3YZLF	1.3 µm GOLD	1.3 µm Ni MIN.
70229-9YZ/9YZLF	0.8 µm GXT	1.3 µm Ni MIN.

mat'l code		tolerances unless otherwise specified		CUSTOMER		ELECTRONICS	
itr	can no	dr	date	linear	projection	title	code
K	0004-004	GU	041221	linear		RA FEMALE SIGNAL STB 48 mm VERSION	215
F	H30758	EFE	041019	angles		product family	ETRAL (tm)
F	H40118	EFE	040201	dr	Avon Zantus	040308	
S	V70789	008	070602	eng	PL. Bouwmeester	040308	
H	V00078	ULA	000318	chr	A van Zanten	000918	
J	V00047	ULA	000530	app	van Veenendaal	000918	
sheet	revision	k	t	scale	B:1	A2	70229
index	sheet	1	2				sheet 1 of 2

All rights reserved. Reproduction or use in any form without the written permission of the manufacturer is prohibited. © FCI Inc.

PC BOARD VERSIONS		
PRODUCTNR:	PCB THICKNESS	DIM"A"
70229-X02/X02LF	1.6	2.73
70229-X12/X12LF	2.4	3.53



- NOTES:
- 1 BODY MAT'L: LIQUID CRYSTAL POLYMER 30% GLASS FLAME RETARDANT ACC. UL 94-V0
 - 2 TERMINAL MATERIAL: PHOSPHOR BRONZE.
 - 3 PLATING SOLDERTAILS 2-8 μ m SnPb 90-97 OR 2-8 μ m PURE Sn
 - 4 INDICATED HOLES ARE UNPLATED.
 - 5 PRODUCT MARKING: PARTNUMBER & BATCH ID.
 - 6 SET BACK FOR PRESS BLOCK.
 - 7 TOP SURFACE OF PRESS BLOCK MAY EXTEND UP TO 0.4MM HIGHER THAN HOUSING. THIS MAY AFFECT THE TAIL LENGTH BEFORE APPLICATION TO A BOARD
 - 8 THIS PRODUCT MEETS EUROPEAN UNION DIRECTIVES AND OTHER COUNTRY REGULATIONS AS DESCRIBED IN GS-22-008
 - 9 THE HOUSING WILL WITHSTAND EXPOSURE TO 260DEGREE PEAK TEMPERATURE FOR 10 SECONDS IN A WAVE SOLDER APPLICATION.

PRODUCT NR:	PLATING CONTACT AREA:	UNDERPLATING
70229-1YZ/1YZLF	0.8 μ m GOLD	1.3 μ m Ni MIN.
70229-2YZ/2YZLF	2 μ m GOLD	1.3 μ m Ni MIN.
70229-3YZ/3YZLF	1.3 μ m GOLD	1.3 μ m Ni MIN.
70229-9YZ/9YZLF	0.8 μ m GXT	1.3 μ m Ni MIN.

mat'l code		tolerances unless otherwise specified		CUSTOMER		ELECTRONICS	
itr	can no of date	linear	projection	CDPY	RA FEMALE SIGNAL	STB 48 mm VERSION	code
K		angles	1:1				213
		dr	0.4	0.4	0.4	0.4	0.4
		eng	P. Scholt	070529			
		chr	P. Scholt	070529			
		appl	0.001/0.001	070529			
sheet index	revision sheet	scale	1:1	A2	70229	sheet 2 of	