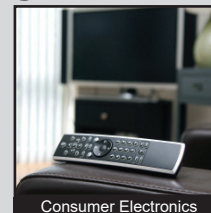
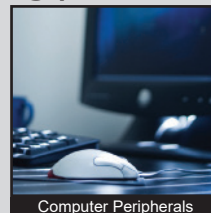
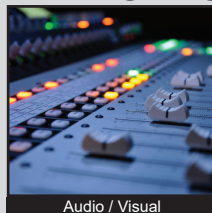


TL3360 SERIES TACT SWITCH

ANTI-VANDAL SWITCHES
 DETECTOR SWITCHES
 DIP SWITCHES
 KEYLOCK SWITCHES
 NAVIGATION SWITCHES
 PUSHBUTTON SWITCHES
 ROCKER SWITCHES
 ROTARY SWITCHES
 SLIDE SWITCHES
 SNAP ACTION SWITCHES
TACTILE SWITCHES
 TOGGLE SWITCHES
 CAP OPTIONS



APPLICATIONS / MARKETS



RoHS

SPECIFICATIONS

Electrical Rating: 50mA @ 12VDC
Electrical Life: 200,000 Cycles
Contact Resistance: 100mΩ Max.
Insulation Resistance: 100M Ω Min. at 500VDC
Dielectric Strength: 250VAC for 1 min.
Operating Temperature: -40°C to 85°C
Operating Force: 185gf, 260gf
Travel: 0.15mm Minimum
Contact Arrangement: SPST
Contact Material: Silver or Gold

FEATURES & BENEFITS

- Multiple actuator height options
- Right angle Surface mount
- Multiple operating force options
- Solder pad option
- Auto placement tab option

PART NUMBER CONFIGURATOR

| Series | Actuator Option | Actuation Force | Solder Pad | Auto Placement Tab | Contact Material |
|-------------------------------------------------------------------------------------------------------------------------------------------------------------|-------------------------------------------------------------------|-----------------------------------------------------------------------------------------------------------------------------|--------------------------------------------------|------------------------------------|--------------------------------|
| <input type="text" value="TL"/> <input type="text" value="3"/> <input type="text" value="3"/> <input type="text" value="6"/> <input type="text" value="0"/> | <input type="text" value="A"/> | <input type="text" value="F"/> <input type="text" value="1"/> <input type="text" value="8"/> <input type="text" value="5"/> | <input type="text" value="N"/> | <input type="text" value="N"/> | <input type="text" value="Q"/> |
| TL3360 | A - 2.30mm B - 2.80mm C - 4.0mm D - 4.35mm E - 1.12mm | F185 - 185 gf F260 - 260 gf | NONE - With Solder Pad A - Without Solder Pad | NONE - Without Tab K - With Tab | Q - Silver R - Gold |

Specifications subject to change without notice 1.21.2026



E-SWITCH®

www.e-switch.com

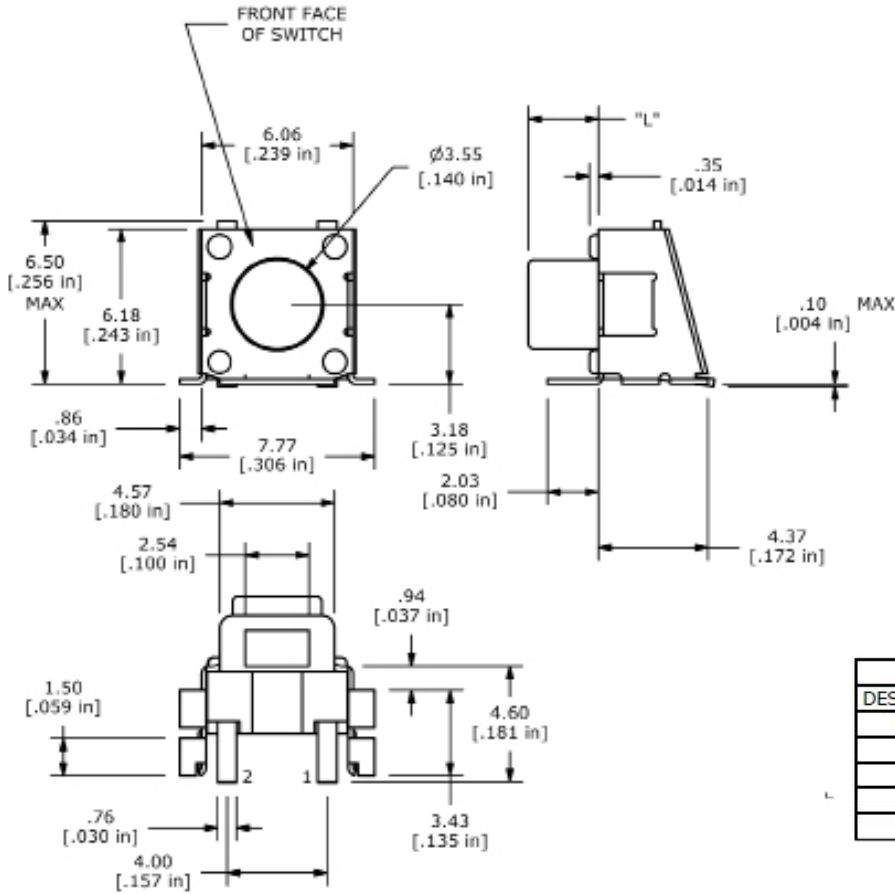
800.867.2717

1

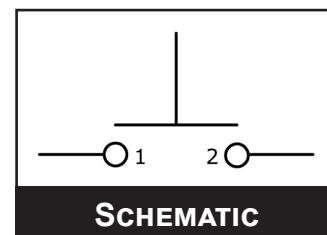
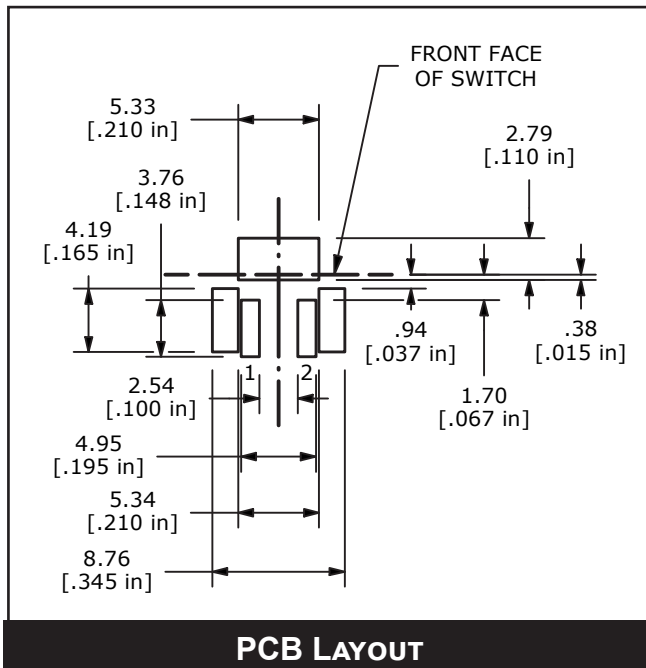
TL3360 SERIES TACT SWITCH

BODY DIMENSIONS

WITH SOLDER PAD, WITHOUT AUTO PLACEMENT TAB



| ACTUATOR CHART | |
|----------------|---------|
| DESIGNATION | "L" DIM |
| A | 2.30 |
| B | 2.80 |
| C | 4.00 |
| D | 4.35 |
| E | 1.12 |

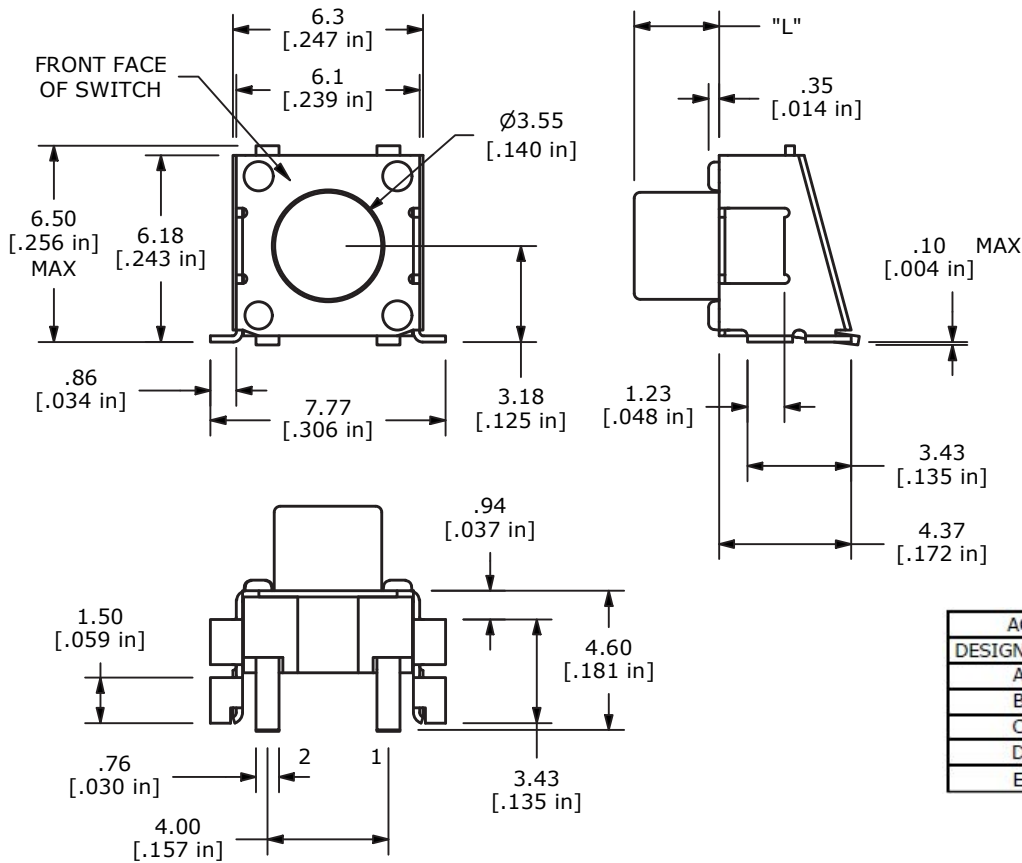


ANTI-VANDAL SWITCHES
 DETECTOR SWITCHES
 DIP SWITCHES
 KEYLOCK SWITCHES
 NAVIGATION SWITCHES
 PUSHBUTTON SWITCHES
 ROCKER SWITCHES
 ROTARY SWITCHES
 SLIDE SWITCHES
 SNAP ACTION SWITCHES
 TACTILE SWITCHES
 TOGGLE SWITCHES
 CAP OPTIONS

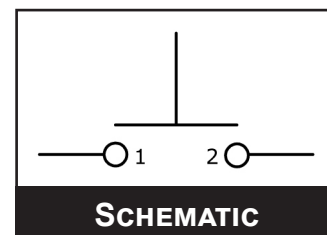
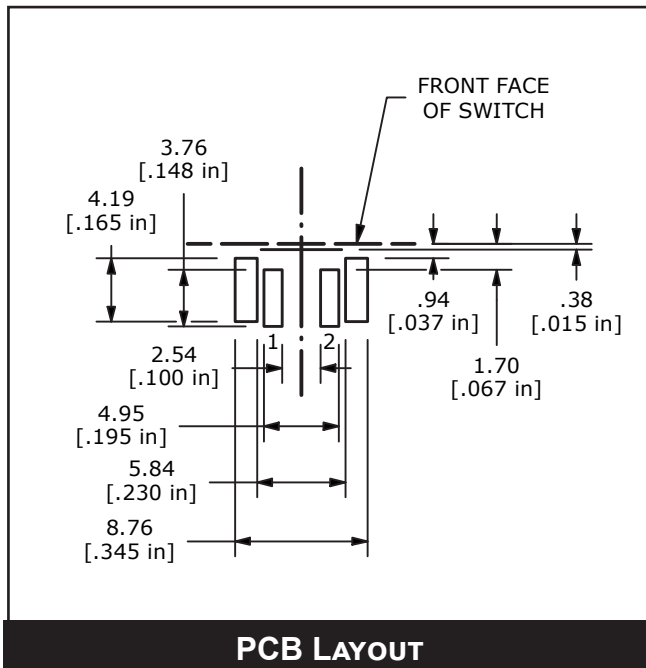
TL3360 SERIES TACT SWITCH

BODY DIMENSIONS

WITHOUT SOLDER PAD, WITHOUT AUTO PLACEMENT TAB



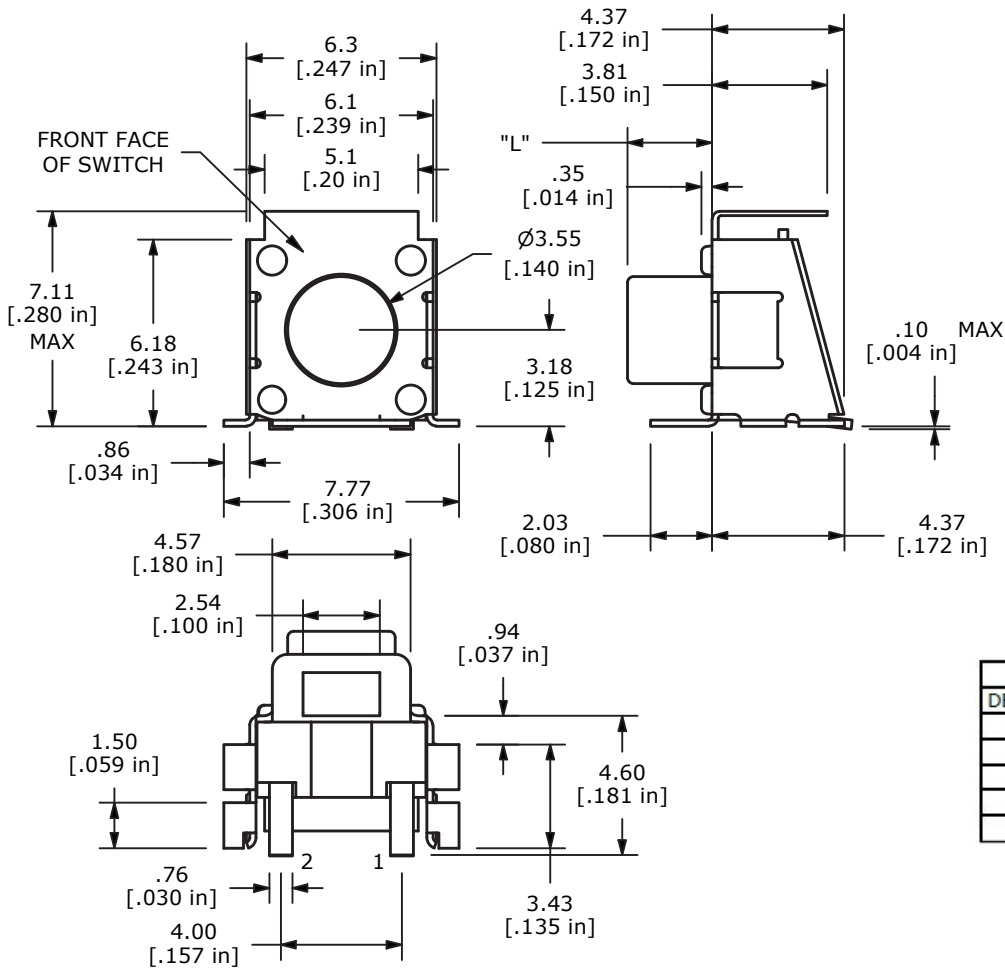
| ACTUATOR CHART | |
|----------------|---------|
| DESIGNATION | "L" DIM |
| A | 2.30 |
| B | 2.80 |
| C | 4.00 |
| D | 4.35 |
| E | 1.12 |



TL3360 SERIES TACT SWITCH

BODY DIMENSIONS

WITH SOLDER PAD, WITH AUTO PLACEMENT TAB



| ACTUATOR CHART | |
|----------------|---------|
| DESIGNATION | "L" DIM |
| A | 2.30 |
| B | 2.80 |
| C | 4.00 |
| D | 4.35 |
| E | 1.12 |

