



SERIES TL1105 SWITCHES

TACT SWITCHES - 6mm x 6mm



FEATURES & BENEFITS

- ▶ Reliable dome contact technology
- ▶ Strong tactile/audible feedback
- ▶ Multiple operating force options

APPLICATIONS/MARKETS

- ▶ Telecommunications
- ▶ Consumer Electronics
- ▶ Audio/visual
- ▶ Medical
- ▶ Testing/instrumentation
- ▶ Computer/servers/peripherals

SPECIFICATIONS

Contact Rating:	50mA @ 12 VDC
Life Expectancy:	100,000 cycles
Contact Resistance:	100mΩ max., typical @ 2-4 VDC 100mA for both silver and gold plated contacts
Insulation Resistance:	100MΩ min.
Dielectric Strength:	250 VAC
Actuation Force:	100 ± 50 gf, 160 ± 50 gf, 250 ± 50 gf
Operating Temperature:	-20°C to 70°C
Travel:	0.25 Typ

MATERIALS

Housing:	Nylon or PBT
Actuator:	Nylon, Acetal or PBT
Cover:	Polyester
Contacts:	Silver-plated phosphor bronze
Terminals:	Silver plated brass



HOW TO ORDER

SERIES	MODEL NO.	ACTUATOR ("L" Dimension)	OPERATING FORCE	CONTACT MTL/TERMINATION	CAP (Where Avail.)	CAP COLOR
TL	1105	[]	[] [] [] []	[]	[] [] [] []	[] [] [] []

TL
TLE=
Earth Ground

1105

(None) = 4.3mm
 A = 5.0mm
 B = 9.5mm
 C = 8.0mm
 D = 13.0mm
 E = 7.3mm
 F = 7.0mm
 G = 9.7mm
 H = 12.5mm
 K = 13.5mm
 L = 17.0mm
 P = 8.5mm
 Y = 16.3mm
 T = 2.4mm
 SP = 2.8mm

F100
F160
F250

Q = Silver
R = Gold

See Cap Options
Caps available for SP option only.

– Square Snap-on Actuator Head
"L" Dimension is 7.5mm

Note: Contact E-Switch for additional Operating Force Options.

TL

1105
(Rt. Angle)

V = 3.85mm
W = 3.15mm
X = 5.85mm
R = 6.15mm
M = 6.85mm
S = 8.35mm
N = 11.85mm
Q = 15.85mm
J = 2.4mm
JA = 2.8mm

F100
F160
F250

Q = Silver
R = Gold

See Cap Options
Caps available for JA option only.



Example Ordering Number

TL-1105-SP-F160-Q-1R RED

– Square Snap-on Actuator Head
"L" Dimension is 6.35mm

Specifications subject to change without notice.

SERIES TL1105 SWITCHES

TACT SWITCHES - 6mm x 6mm

TACT SWITCHES

NAVIGATION SWITCHES

PUSHBUTTON SWITCHES

TOGGLE SWITCHES

ROCKER SWITCHES

SLIDE SWITCHES

SNAP-ACTION SWITCHES

DIP SWITCHES

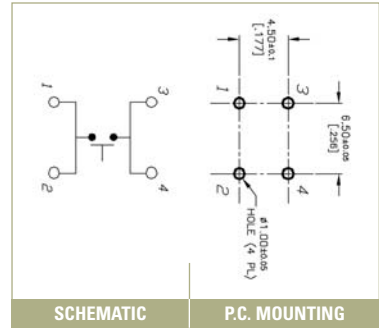
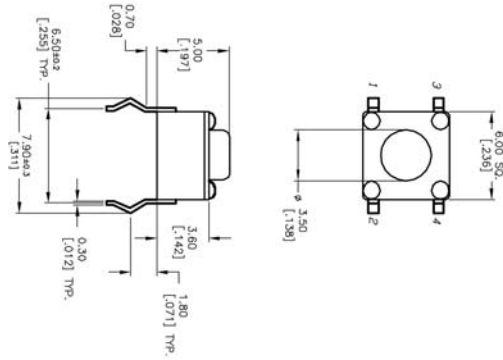
KEYLOCK SWITCHES

ROTARY SWITCHES

DETECTOR SWITCHES

CAP OPTIONS

TL 1105



SCHEMATIC

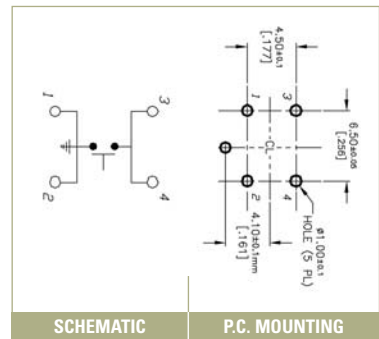
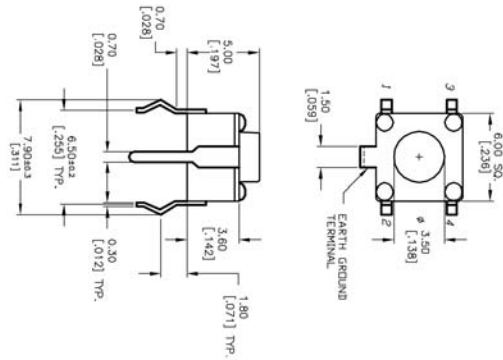
P.C. MOUNTING

TLE 1105

TLE (EARTH TERMINAL)



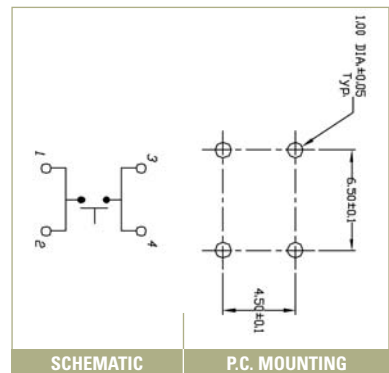
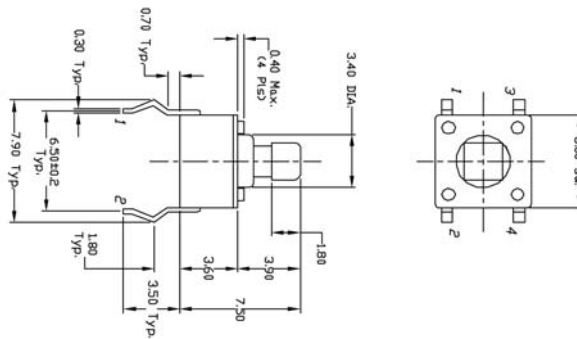
TL1105 models available with earth terminal described as TLE 1105



SCHEMATIC

P.C. MOUNTING

TL 1105 T



SCHEMATIC

P.C. MOUNTING

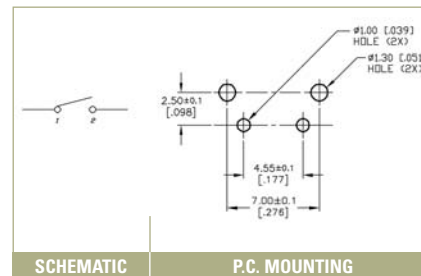
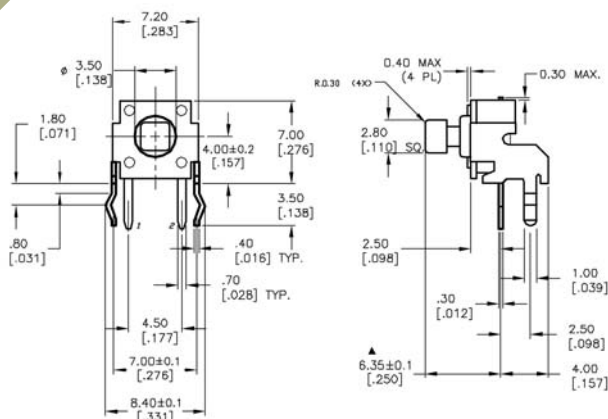
Model No.	'S' Dim.
TL1105T	2.4 mm
TL1105SP	2.8 mm



TL 1105 J

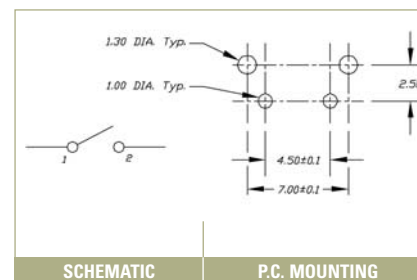
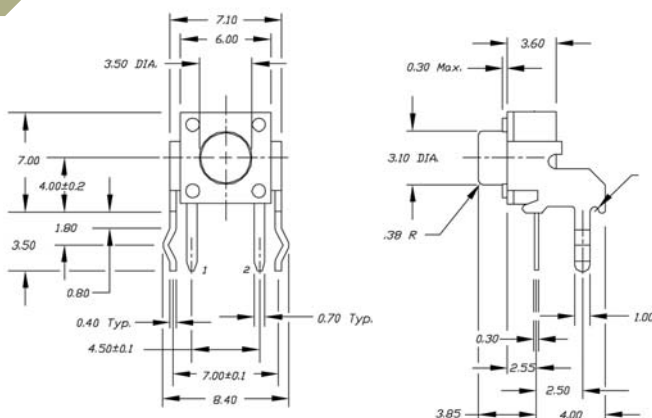


Model No.	'S' Dim.
TL1105J	2.4 mm
TL1105JA	2.8 mm



TL 1105

RIGHT ANGLE



TACT SWITCHES

NAVIGATION SWITCHES

PUSHBUTTON SWITCHES

TOGGLE SWITCHES

ROCKER SWITCHES

SLIDE SWITCHES

SNAP-ACTION SWITCHES

DIP SWITCHES

KEYLOCK SWITCHES

ROTARY SWITCHES

DETECTOR SWITCHES

CAP OPTIONS