

## Product Specification

### 2.125 Gb/s RoHS Compliant Short-Wavelength SFP Transceiver

#### FTLF8519P2xCL

#### PRODUCT FEATURES

- Up to 2.125 Gb/s bi-directional data links
- Hot-pluggable SFP footprint
- 850nm Oxide VCSEL laser transmitter
- Duplex LC connector
- RoHS Compliant and Lead-Free
- Up to 500m on 50/125µm MMF, 300m on 62.5/125µm MMF
- Metal enclosure, for lower EMI
- Single 3.3V power supply
- Low power dissipation
- Commercial operating temperature range: 0°C to 70°C



#### APPLICATIONS

- 1.25 Gb/s 1000Base-SX Ethernet
- Dual Rate 1.063/2.125 Gb/s Fibre Channel

Finisar's FTLF8519P2xCL Small Form Factor Pluggable (SFP) transceivers are compatible with the Small Form Factor Pluggable Multi-Sourcing Agreement (MSA)<sup>1</sup>. They are simultaneously compatible with Gigabit Ethernet as specified in IEEE Std 802.3<sup>2</sup> and Fibre Channel FC-PI-2 Rev. 7.0<sup>3</sup>. They are RoHS compliant and lead-free per Directive 2002/95/EC<sup>4</sup> and Finisar Application Note AN-2038.

#### PRODUCT SELECTION

### FTLF8519P2xCL

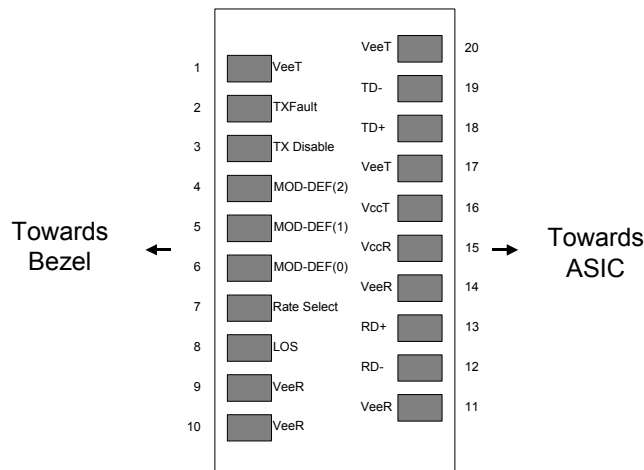
|   |   |                        |
|---|---|------------------------|
| x | W | Wide Extraction Bail   |
|   | B | Narrow Extraction Bail |

**I. Pin Descriptions**

| Pin | Symbol             | Name/Description   | Ref. |
|-----|--------------------|--|------|
| 1   | V <sub>EET</sub>   | Transmitter Ground (Common with Receiver Ground)               | 1    |
| 2   | T <sub>FAULT</sub> | Transmitter Fault. Not supported.                              |      |
| 3   | T <sub>DIS</sub>   | Transmitter Disable. Laser output disabled on high or open.    | 2    |
| 4   | MOD_DEF(2)         | Module Definition 2. Data line for Serial ID.                  | 3    |
| 5   | MOD_DEF(1)         | Module Definition 1. Clock line for Serial ID.                 | 3    |
| 6   | MOD_DEF(0)         | Module Definition 0. Grounded within the module.               | 3    |
| 7   | Rate Select        | No connection required   |      |
| 8   | LOS                | Loss of Signal indication. Logic 0 indicates normal operation. | 4    |
| 9   | V <sub>EER</sub>   | Receiver Ground (Common with Transmitter Ground)               | 1    |
| 10  | V <sub>EER</sub>   | Receiver Ground (Common with Transmitter Ground)               | 1    |
| 11  | V <sub>EER</sub>   | Receiver Ground (Common with Transmitter Ground)               | 1    |
| 12  | RD-                | Receiver Inverted DATA out. AC Coupled                         |      |
| 13  | RD+                | Receiver Non-inverted DATA out. AC Coupled                     |      |
| 14  | V <sub>EER</sub>   | Receiver Ground (Common with Transmitter Ground)               | 1    |
| 15  | V <sub>CCR</sub>   | Receiver Power Supply  |      |
| 16  | V <sub>CCT</sub>   | Transmitter Power Supply                                       |      |
| 17  | V <sub>EET</sub>   | Transmitter Ground (Common with Receiver Ground)               | 1    |
| 18  | TD+                | Transmitter Non-Inverted DATA in. AC Coupled.                  |      |
| 19  | TD-                | Transmitter Inverted DATA in. AC Coupled.                      |      |
| 20  | V <sub>EET</sub>   | Transmitter Ground (Common with Receiver Ground)               | 1    |

Notes:

1. Circuit ground is internally isolated from chassis ground.
2. Laser output disabled on T<sub>DIS</sub> >2.0V or open, enabled on T<sub>DIS</sub> <0.8V.
3. Should be pulled up with 4.7k – 10kohms on host board to a voltage between 2.0V and 3.6V. MOD\_DEF(0) pulls line low to indicate module is plugged in.
4. LOS is open collector output. Should be pulled up with 4.7k – 10kohms on host board to a voltage between 2.0V and 3.6V. Logic 0 indicates normal operation; logic 1 indicates loss of signal.



**Diagram of Host Board Connector Block Pin Numbers and Names**

**II. Absolute Maximum Ratings**

| Parameter                  | Symbol          | Min  | Typ | Max | Unit | Ref. |
|----------------------------|-----------------|------|-----|-----|------|------|
| Maximum Supply Voltage     | V <sub>CC</sub> | -0.5 |     | 4.0 | V    |      |
| Storage Temperature        | T <sub>S</sub>  | -40  |     | 85  | °C   |      |
| Case Operating Temperature | T <sub>A</sub>  | 0    |     | 70  | °C   |      |
| Relative Humidity          | RH              | 0    |     | 85  | %    | 1    |

**III. Electrical Characteristics (T<sub>A</sub> = 0 to 70 °C, V<sub>CC</sub> = 3.0 to 3.6 Volts)**

| Parameter                         | Symbol                 | Min             | Typ | Max                   | Unit | Ref. |
|-----------------------------------|------------------------|-----------------|-----|-----------------------|------|------|
| Supply Voltage                    | V <sub>CC</sub>        | 3.0             |     | 3.6                   | V    |      |
| Supply Current                    | I <sub>CC</sub>        |                 | 150 | 240                   | mA   |      |
| <b>Transmitter</b>                |                        |                 |     |                       |      |      |
| Input differential impedance      | R <sub>in</sub>        |                 | 100 |                       | Ω    | 2    |
| Single ended data input swing     | V <sub>in,pp</sub>     | 250             |     | 1200                  | mV   | 3    |
| Transmit Disable Voltage          | V <sub>D</sub>         | 2               |     | V <sub>CC</sub>       | V    | 4    |
| Transmit Enable Voltage           | V <sub>EN</sub>        | V <sub>EE</sub> |     | V <sub>EE</sub> + 0.8 | V    |      |
| <b>Receiver</b>                   |                        |                 |     |                       |      |      |
| Single ended data output swing    | V <sub>out,pp</sub>    | 250             | 450 | 550                   | mV   | 5    |
| Data output rise time             | t <sub>r</sub>         |                 |     | 175                   | ps   | 6    |
| Data output fall time             | t <sub>f</sub>         |                 |     | 175                   | ps   | 6    |
| Mask Margin                       |                        |                 | 45% |                       |      |      |
| LOS Fault                         | V <sub>LOS fault</sub> | 2               |     | V <sub>CC,HOST</sub>  | V    | 7    |
| LOS Normal                        | V <sub>LOS norm</sub>  | V <sub>EE</sub> |     | V <sub>EE</sub> +0.5  | V    | 7    |
| Power Supply Rejection            | PSR                    | 100             |     |                       | mVpp | 8    |
| Deterministic Jitter Contribution | RX ΔDJ                 |                 |     | 51.7                  | ps   | 9    |
| Total Jitter Contribution         | RX ΔTJ                 |                 | <65 | 122.4                 | ps   | 10   |

**Notes:**

1. Non condensing.
2. Connected directly to TX data input pins. AC coupling from pins into laser driver IC.
3. We recommend <600mV for best EMI performance.
4. Or open circuit.
5. Into 100 ohms differential termination.
6. 20 – 80 %
7. LOS is an open collector output. Should be pulled up with 4.7k – 10kohms on the host board. Normal operation is logic 0; loss of signal is logic 1. Maximum pull-up voltage is 5.5V.
8. Receiver sensitivity is compliant with power supply sinusoidal modulation of 20 Hz to 1.5 MHz up to specified value applied through the recommended power supply filtering network.
9. Typical peak-to-peak jitter (=6\*RMS width of Jitter).
10. Measured with DJ-free data input signal. In actual application, output DJ will be the sum of input DJ and ΔDJ.
11. If measured with TJ-free data input signal. In actual application, output TJ will be given by:

$$TJ_{OUT} = DJ_{IN} + \Delta DJ + \sqrt{(TJ_{IN} - DJ_{IN})^2 + (\Delta TJ - \Delta DJ)^2}$$

**IV. Optical Characteristics (T<sub>OP</sub> = 0 to 70 °C, V<sub>CC</sub> = 3.00 to 3.60 Volts)**

| Parameter                                  | Symbol                          | Min   | Typ | Max   | Unit  | Ref. |
|--|---------------------------------|-------|-----|-------|-------|------|
| <b>Transmitter</b>                         |                                 |       |     |       |       |      |
| Output Opt. Pwr: 50 or 62.5 MMF            | P <sub>OUT</sub>                | -9    |     | -3    | dBm   | 1    |
| Optical Wavelength                         | λ                               | 830   |     | 860   | nm    |      |
| Spectral Width                             | σ                               |       |     | 0.85  | nm    |      |
| Optical Modulation Amplitude @ 2.125 Gb/s  | OMA                             | 196   |     |       | μW    | 2    |
| Optical Modulation Amplitude @ 1.0625 Gb/s | OMA                             | 156   |     |       | μW    | 2    |
| Optical Rise/Fall Time                     | t <sub>r</sub> / t <sub>f</sub> |       | 100 | 150   | ps    | 3    |
| Relative Intensity Noise                   | RIN                             |       |     | -120  | dB/Hz |      |
| Deterministic Jitter Contribution          | TX Δ DJ                         |       | 20  | 56.5  | ps    | 4    |
| Total Jitter Contribution                  | TX Δ TJ                         |       | <65 | 119   | ps    | 5    |
| Extinction Ratio @ 1.25 Gb/s               | ER                              | 9     |     |       | dB    |      |
| Mask Margin                                |                                 |       | 45% |       |       |      |
| <b>Receiver</b>                            |                                 |       |     |       |       |      |
| Receiver Sensitivity = 1.0625 Gb/s         | RxSENS                          |       |     | -20   | dBm   | 6    |
| Receiver Sensitivity = 2.125 Gb/s          | RxSENS                          |       |     | -18   | dBm   | 6    |
| Receiver Sensitivity = 1.25 Gb/s           | RxSENS                          |       |     | -20   | dBm   | 7    |
| Stressed RX sens. =1.0625 Gb/s             |                                 | 0.055 |     |       | mW    | 8    |
| Stressed RX sens. =2.125 Gb/s              |                                 | 0.096 |     |       | mW    | 8    |
| Stressed RX sens. =1.25 Gb/s               |                                 |       |     | -13.5 | dBm   | 9    |
| Average Receiver Power                     | Rx <sub>MAX</sub>               |       |     | 0     | dBm   |      |
| Receiver Elec. 3 dB cutoff freq.           |                                 |       |     | 1500  | MHz   |      |
| Optical Center Wavelength                  | λ <sub>C</sub>                  | 770   |     | 860   | nm    |      |
| Optical Return Loss                        |                                 | 12    |     |       | dB    |      |
| LOS De-Assert                              | LOS <sub>D</sub>                |       |     | -20   | dBm   |      |
| LOS Assert                                 | LOS <sub>A</sub>                | -30   |     |       | dBm   |      |
| LOS Hysteresis                             |                                 | 0.5   |     |       | dB    |      |

**Notes:**

- Class 1 Laser Safety per FDA/CDRH, IEC, and EN60825-1 laser safety standards.
- Equivalent extinction ratio specification for Fibre Channel. Allows smaller ER at higher average power.
- Unfiltered, 20-80%. Complies with FC 1x and 2x eye mask when filtered.
- Measured with DJ-free data input signal. In actual application, output DJ will be the sum of input DJ and Δ DJ.
- If measured with TJ-free data input signal. In actual application, output TJ will be given by:

$$TJ_{OUT} = DJ_{IN} + \Delta DJ + \sqrt{(TJ_{IN} - DJ_{IN})^2 + (\Delta TJ - \Delta DJ)^2}$$

- Specifications are for 50 micro-meter or 62.5 micro-meter fiber
- As measured with 9dB extinction ratio.
- Measured with conformance signals defined in FC-PI-2 Rev. 7.0 specifications.
- Measured with conformance signals defined in IEEE 802.3 specifications.

**V. General Specifications**

| Parameter                            | Symbol | Min | Typ                      | Max        | Units  | Ref.   |
|--------------------------------------|--------|-----|--------------------------|------------|--------|--------|
| Data Rate                            | BR     |     | 1.062,<br>1.25,<br>2.125 |            | Gb/sec | 1      |
| Bit Error Rate                       | BER    |     |                          | $10^{-12}$ |        | 4      |
| Fiber Length on 50/125 $\mu$ m MMF   | L      |     |                          | 550<br>300 | m      | 2<br>3 |
| Fiber Length on 62.5/125 $\mu$ m MMF | L      |     |                          | 300<br>150 | m      | 2<br>3 |

Notes:

1. Gigabit Ethernet and 1x, 2x Fibre Channel compatible, per IEEE 802.3 and FC-PI-2 Rev. 7.0 respectively.
2. At 1.0625 Gb/s Fibre Channel and 1.25 Gb/s Gigabit Ethernet data rates.
3. At 2.125 Gb/s Fibre Channel data rate.
4. 2.125Gb/s with PRBS  $2^7-1$ .

**VI. Environmental Specifications**

Finisar 850nm SFP transceivers have a commercial operating temperature range from 0°C to +70°C case temperature.

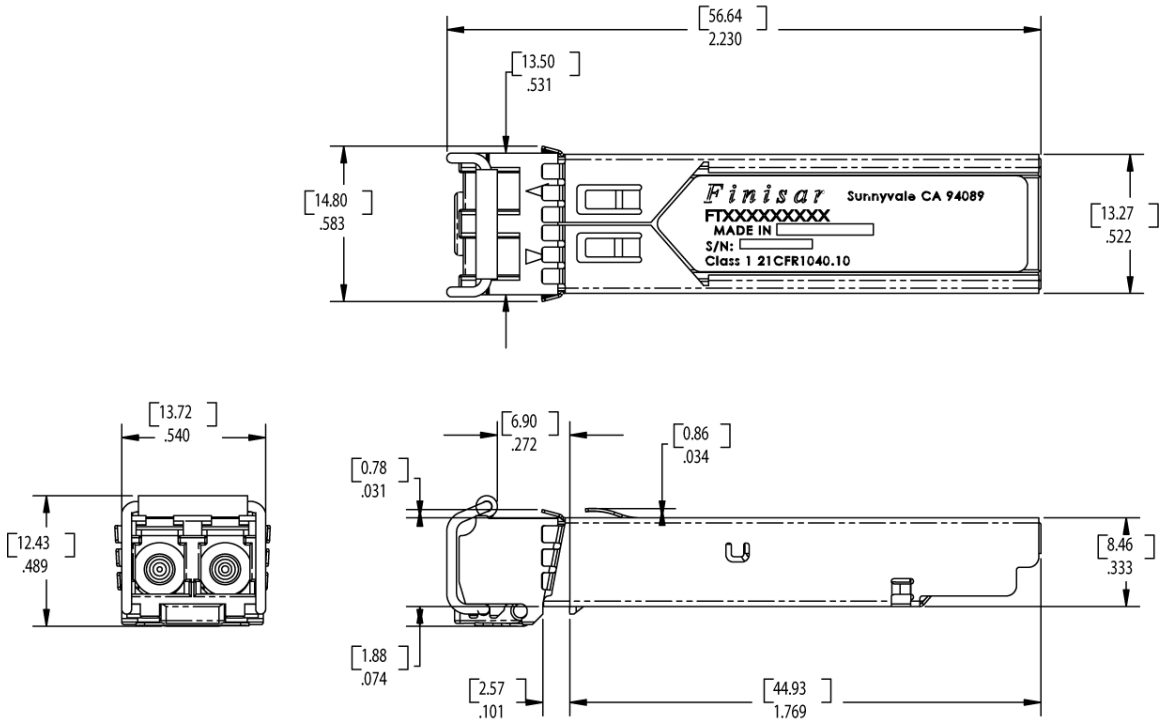
| Parameter                  | Symbol           | Min | Typ | Max | Units | Ref. |
|----------------------------|------------------|-----|-----|-----|-------|------|
| Case Operating Temperature | T <sub>op</sub>  | 0   |     | 70  | °C    |      |
| Storage Temperature        | T <sub>sto</sub> | -40 |     | 85  | °C    |      |

**VII. Regulatory Compliance**

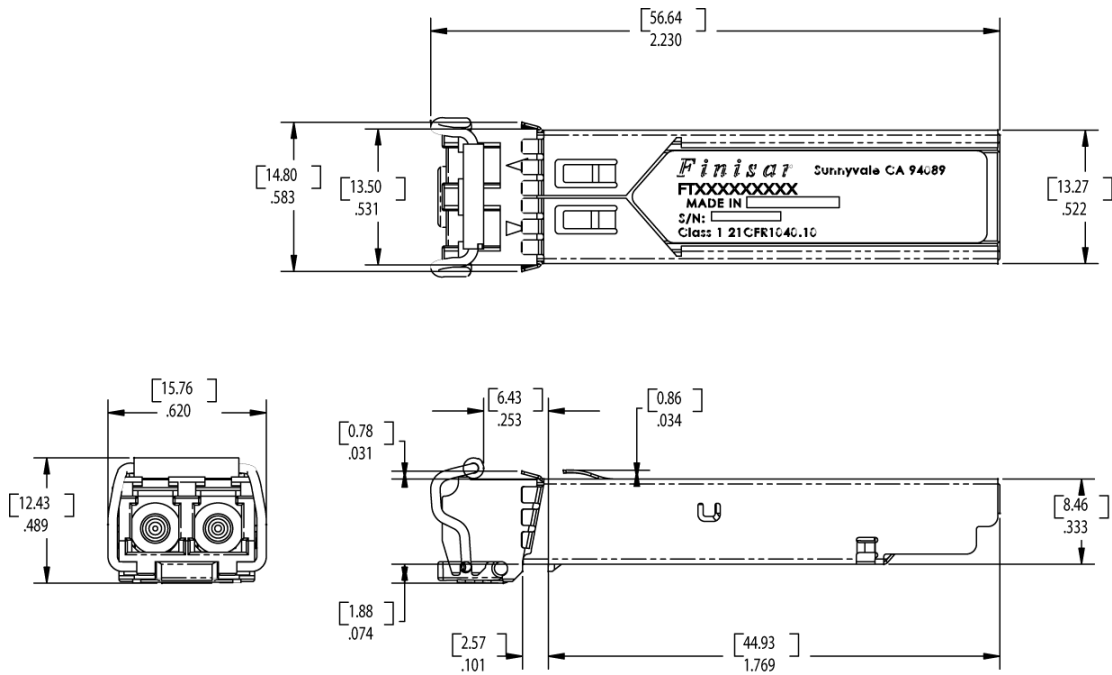
Finisar transceivers are Class 1 Laser Products and comply with US FDA regulations. These products are certified by TÜV and CSA to meet the Class 1 eye safety requirements of EN (IEC) 60825 and the electrical safety requirements of EN (IEC) 60950. Copies of certificates are available at Finisar Corporation upon request. Copies of the referenced certificates are available at Finisar Corporation upon request.

**X. Mechanical Specifications**

Finisar’s Small Form Factor Pluggable (SFP) transceivers are compatible with the dimensions defined by the SFP Multi-Sourcing Agreement (MSA).

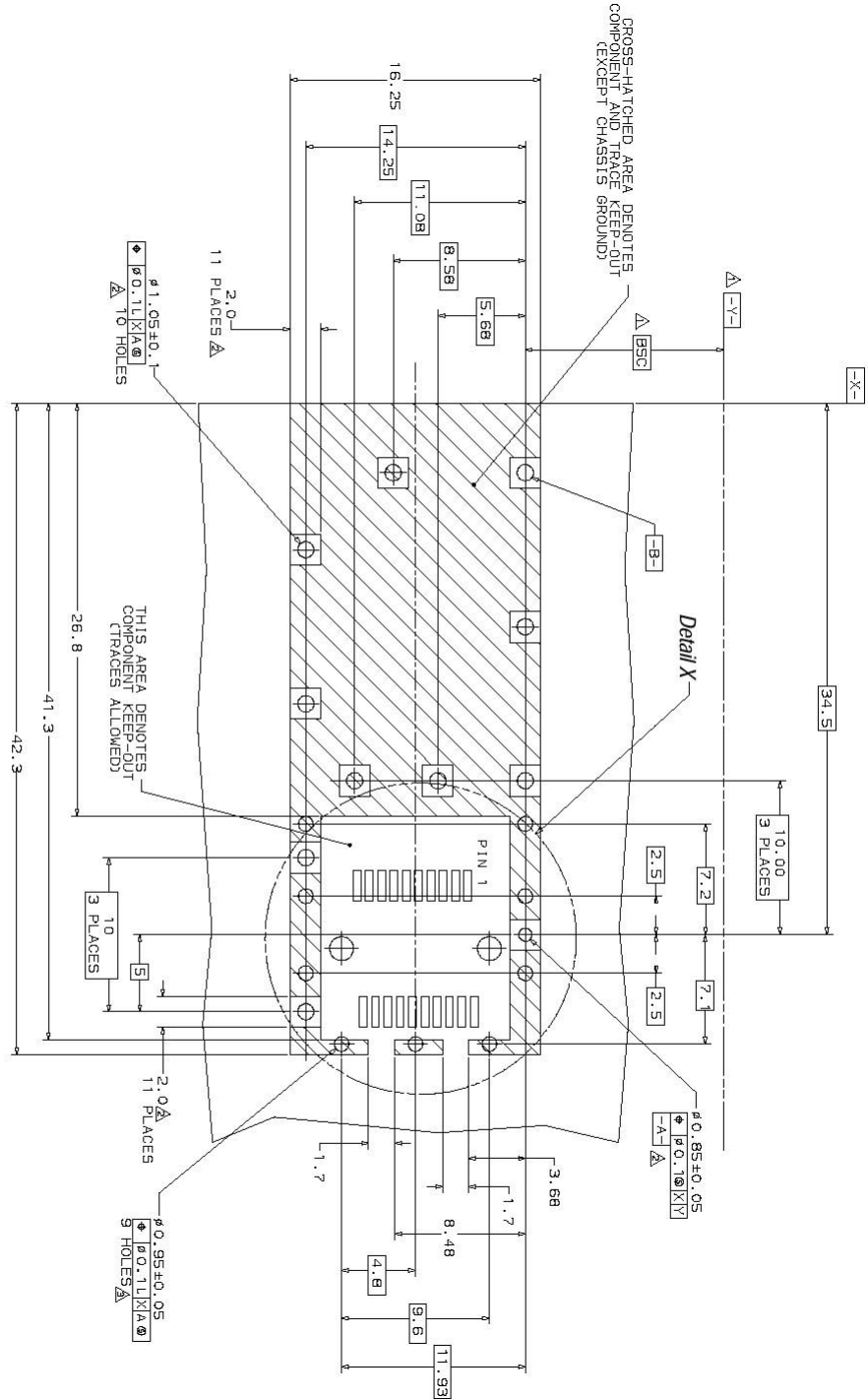


**FTLF8519P2BCL**



**FTLF8519P2WCL**

**XI. PCB Layout and Bezel Recommendations**



- △ Datum and Basic Dimension Established by Customer
- △ Pads and Vias are Chassis Ground, 11 Places
- △ Through Holes are Unplated





**XII. References**

1. Small Form Factor Pluggable (SFP) Transceiver Multi-source Agreement (MSA). September 14, 2000.
2. IEEE Std 802.3, 2002 Edition, Clause 38, PMD Type 1000BASE-SX. IEEE Standards Department, 2002.
3. “Fibre Channel Draft Physical Interface Specification (FC-PI-2 Rev. 7.0)”. American National Standard for Information Systems.
4. Directive 2002/95/EC of the European Council Parliament and of the Council, “on the restriction of the use of certain hazardous substances in electrical and electronic equipment.” January 27, 2003.

**XIII. For More Information**

Finisar Corporation  
1308 Moffett Park Drive  
Sunnyvale, CA 94089-1133  
Tel. 1-408-548-1000  
Fax 1-408-541-6138  
[sales@finisar.com](mailto:sales@finisar.com)  
[www.finisar.com](http://www.finisar.com)