

**kHz RANGE CRYSTAL UNIT
SMD**

MC - 306 / 405 / 406

- Frequency range : 32.768 kHz (20 kHz to 165 kHz)
- Thickness : 2.54 mm Max.(MC-306)
3.60 mm Max.(MC-405 / 406)
- Overtone order : Fundamental /Overtone (307.2 kHz)
- Applications : Clock and Microcomputer
- Lead(Pb)-free : High melting temperature type solder (Pb85 %) exempted by RoHS directive.



Actual size



Specifications (characteristics)

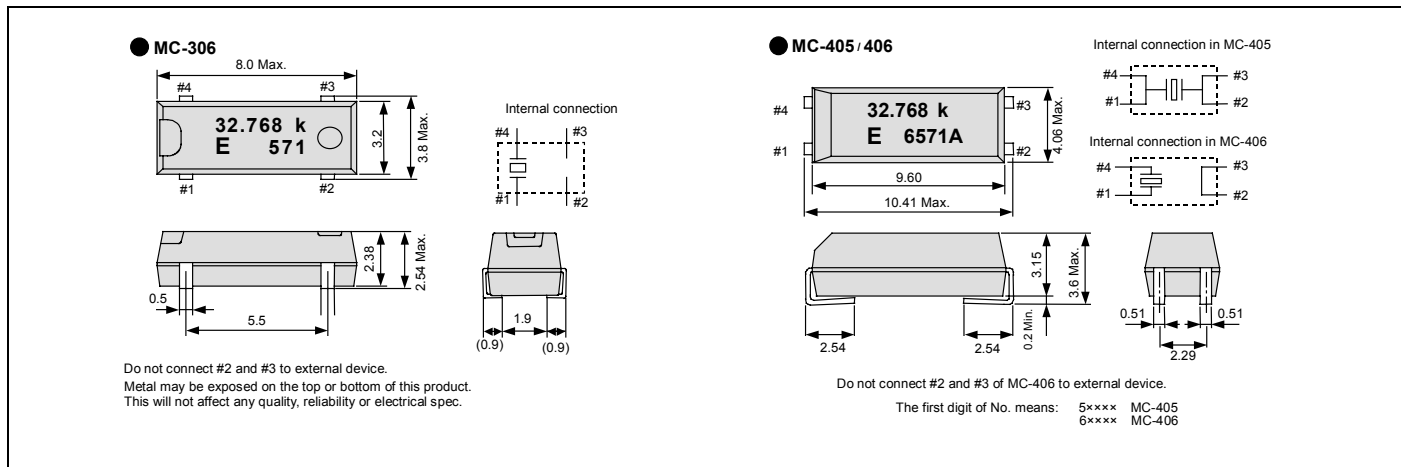
Item	Symbol	Specifications		Remarks
Nominal frequency range	f	32.768 kHz	20 kHz to 165 kHz 307.2 kHz(MC-405 / 406)	Please contact us regarding available frequencies
Temperature range	Storage temperature	-55 °C to +125 °C		Stored as bare product after unpacking
	Operating temperature	-40 °C to +85 °C		
Level of drive	DL	1.0 μW Max.		
Frequency tolerance (standard)	f tol	±20 × 10 ⁻⁶ , ±50 × 10 ⁻⁶	±50 × 10 ⁻⁶ , ±100 × 10 ⁻⁶	+25 °C, DL=0.1 μW
Turnover temperature	Ti	+25 °C ±5 °C		
Parabolic coefficient	B	-0.04 × 10 ⁻⁶ / °C ² Max.		
Load capacitance	CL	6 pF to ∞ (standard : 12.5 pF)		Please specify
Motional resistance (ESR)	R1	50 kΩ Max.	55 kΩ to 6 kΩ	As per below table
		1.8 fF Typ.	4.0 fF to 0.6 fF	MC-306
Motional capacitance	C1	2.0 fF Typ.		MC-405 / 406
		0.9 pF Typ.		MC-306
Shunt capacitance	C0	0.85 pF Typ.	2.0 pF to 0.6 pF	MC-405 / 406
				MC-306
Frequency aging	f age	±3 × 10 ⁻⁶ / year Max.	±5 × 10 ⁻⁶ / year Max.	+25 °C, First year

Motional resistance (ESR)

Frequency	20 kHz≤f< 31.2 kHz	31.2 kHz≤f< 40 kHz	40 kHz≤f< 90 kHz	90 kHz≤f< 130 kHz	130 kHz≤f<165 kHz	307.2 kHz
Motional resistance	55 kΩ Max.	35 kΩ Max.	20 kΩ Max.	12 kΩ Max.	10 kΩ Max.	6 kΩ Max.

External dimensions

(Unit:mm)



Footprint (Recommended)

(Unit:mm)

