

Series 04

Characteristics

The modular 22.5 mm Series 04 is especially suited for:

- Flush design
- Raised design

The modular design caters to a broad range of applications and combinations.

Owing to its robust, user-friendly design, this series is ideally suited for rail vehicles.

Functions

The Series 04 incorporates the following functions:

- Indicator
- Pushbutton
- Illuminated pushbutton
- E-STOP switch
- Stop switch
- Mushroom-head pushbutton
- Key lock switch
- Key insert switch
- Selector switch
- Lever switch
- Potentiometer

Market segments

The EAO Series 04 is especially suited for applications in the segments:

- Public transportation
- Machinery and Automation
- Construction machines and special-purpose vehicles
- Lifting and moving
- Panel building

Please refer to the EAO website to obtain detailed information regarding this series www.products.eao.com
Configure a product to your exact needs and request a quotation.



Overview**Flush design**

| | |
|--------------------------|----|
| Indicator | 4 |
| Flasher | 8 |
| Buzzer | 12 |
| Pushbutton | 13 |
| Illuminated pushbutton | 17 |
| Stop switch | 21 |
| Mushroom-head pushbutton | 22 |
| Keylock switch | 23 |
| Selector switch | 27 |
| Selector rotary switch | 46 |
| Keylock rotary switch | 50 |
| Key insert switch | 51 |
| Lever switch | 54 |
| Potentiometer | 55 |

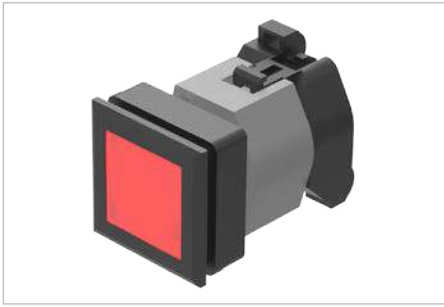
Raised design

| | |
|--------------------------|-----|
| Indicator | 56 |
| Flasher | 66 |
| Buzzer | 74 |
| Pushbutton | 75 |
| Illuminated pushbutton | 80 |
| Emergency-stop switch | 85 |
| Stop switch | 86 |
| Mushroom-head pushbutton | 88 |
| Keylock switch | 91 |
| Selector switch | 95 |
| Selector rotary switch | 114 |
| Potentiometer | 118 |

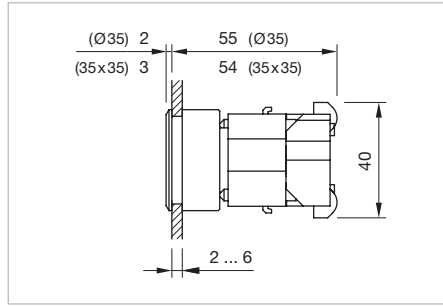
Accessories 119**Drawings 168****Technical data 169****Marking 179****Application guidelines 184****Index 185**

04 Flush design

Indicator, IP65

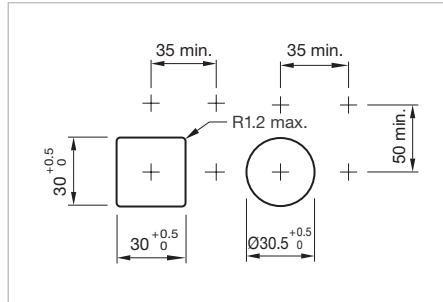


Product can differ from the current configuration.

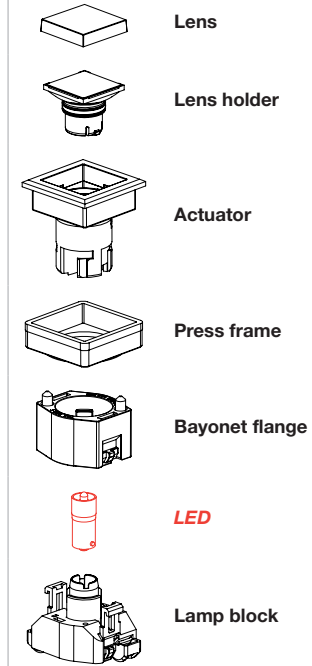


Additional Information

- Housing plastic black
- The colour of anodized aluminium parts can vary due to technical production reasons






Equipment consisting of (schematic overview)

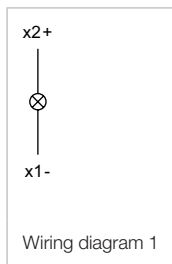


Each Part Number listed below includes all the black components shown in the 3D-drawing.

To obtain a complete unit, please select the red components from the pages shown.

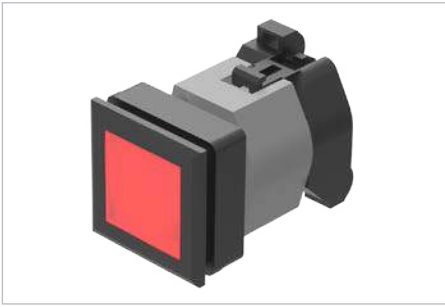
| Front ring | Front bezel | Lens | Terminal | Part No. | Wiring diagram | Weight |
|---|---|--------------------|----------|--------------------|----------------|----------|
|  | Indicator actuator, Front dimension 35 x 35 mm | | | | | |
| | Plastic black | Plastic red | Screw | 704.206.200 | 1 | 0.061 kg |
| | | Plastic yellow | Screw | 704.206.400 | 1 | 0.061 kg |
| | | Plastic green | Screw | 704.206.500 | 1 | 0.061 kg |
| | | Plastic blue | Screw | 704.206.600 | 1 | 0.061 kg |
| | | Plastic colourless | Screw | 704.206.700 | 1 | 0.061 kg |
|  | Indicator actuator, Front dimension 35 x 35 mm | | | | | |
| | Plastic silver | Plastic red | Screw | 704.202.208 | 1 | 0.061 kg |
| | | Plastic yellow | Screw | 704.202.408 | 1 | 0.061 kg |
| | | Plastic green | Screw | 704.202.508 | 1 | 0.061 kg |
| | | Plastic blue | Screw | 704.202.608 | 1 | 0.061 kg |
| | | Plastic colourless | Screw | 704.202.708 | 1 | 0.061 kg |

| Front ring | Front bezel | Lens | Terminal | Part No. | Wiring diagram | Weight |
|---|-------------|--------------------|----------|--------------------|----------------|----------|
|  <p>Indicator actuator, Front dimension Ø 35 mm</p> | | | | | | |
| Aluminium natural anodized | | Plastic red | Screw | 704.006.218 | 1 | 0.061 kg |
| | | Plastic yellow | Screw | 704.006.418 | 1 | 0.061 kg |
| | | Plastic green | Screw | 704.006.518 | 1 | 0.061 kg |
| | | Plastic blue | Screw | 704.006.618 | 1 | 0.061 kg |
| | | Plastic colourless | Screw | 704.006.718 | 1 | 0.061 kg |

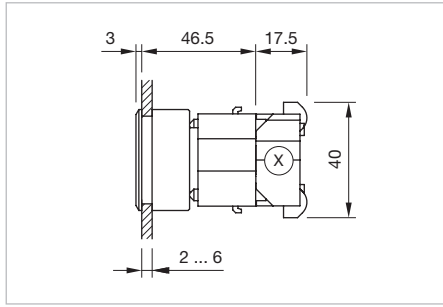


04 Flush design

Indicator square, IP65



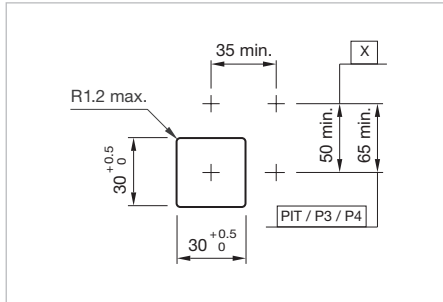
Product can differ from the current configuration.



Dimensions [mm]
X = Screw terminal

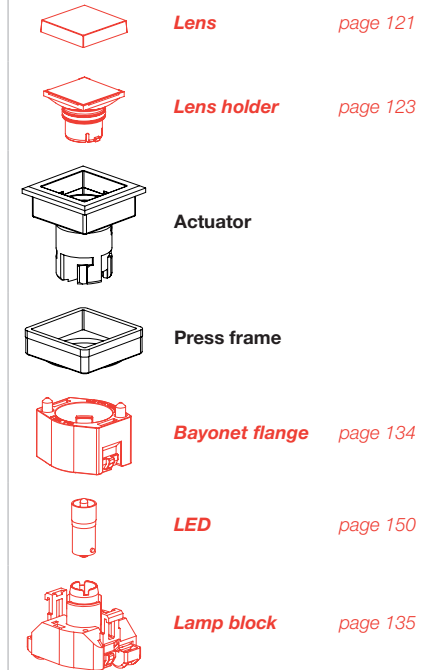
Additional Information

- Housing plastic black
- Other terminal options from the part lamp block see «Accessories»



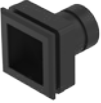
Mounting cut-outs [mm]
PIT = Push-in terminal,
P3 = Plug-in terminal 6.3 x 0.8 mm,
P4 = Double plug-in terminal 6.3 x 0.8 mm,
X = Screw terminal

Equipment consisting of (schematic overview)



Each Part Number listed below includes all the black components shown in the 3D-drawing.

To obtain a complete unit, please select the red components from the pages shown.

| Front bezel | Part No. | Weight |
|---|------------------|----------|
|  <p>Indicator actuator square, flush design, Front dimension 35 x 35 mm</p> | | |
| | | |
| Plastic black | 704.743.0 | 0.020 kg |
| Plastic silver | 704.743.8 | 0.020 kg |

Indicator round, IP65

Equipment consisting of (schematic overview)



Front bezel set page 126



Lens page 121



Marking plate page 124



Actuator



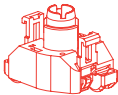
Part of front bezel set



Bayonet flange page 134



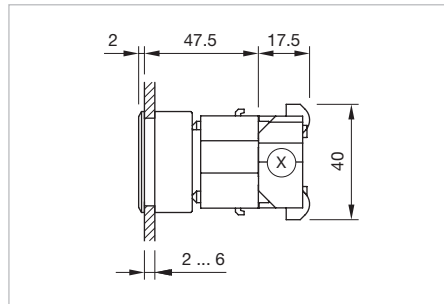
LED page 150



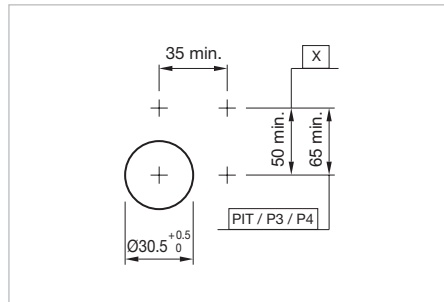
Lamp block page 135

Each Part Number listed below includes all the black components shown in the 3D-drawing.

To obtain a complete unit, please select the red components from the pages shown.



Dimensions [mm]
X = Screw terminal




Mounting cut-outs [mm]
PIT = Push-in terminal,
P3 = Plug-in terminal 6.3 x 0.8 mm,
P4 = Double plug-in terminal 6.3 x 0.8 mm,
X = Screw terminal



Product can differ from the current configuration.

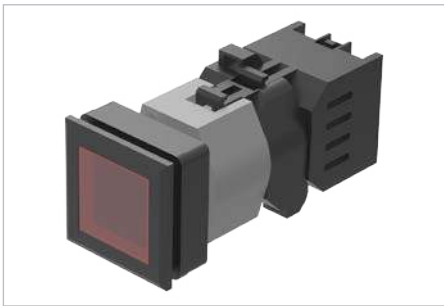
Additional Information

- For front dimension $\varnothing 35$ mm
- Housing plastic grey
- Lens flat or raised possible; equal choose marking plate or marking cap
- Other terminal options from the part lamp block see «Accessories»

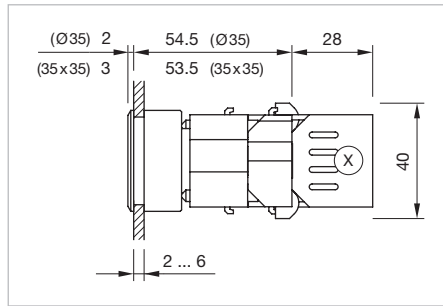
| Part No. | Weight |
|--|----------|
|  <p>Indicator actuator round</p> | |
| 704.633.1 | 0.020 kg |

04 Flush design

Flasher, IP65



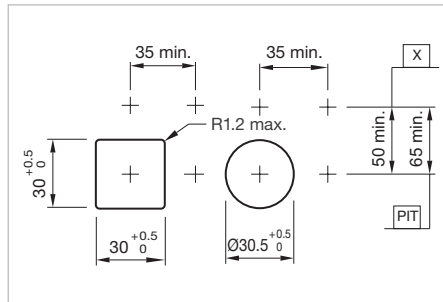
Product can differ from the current configuration.



Dimensions [mm]
X = Screw terminal

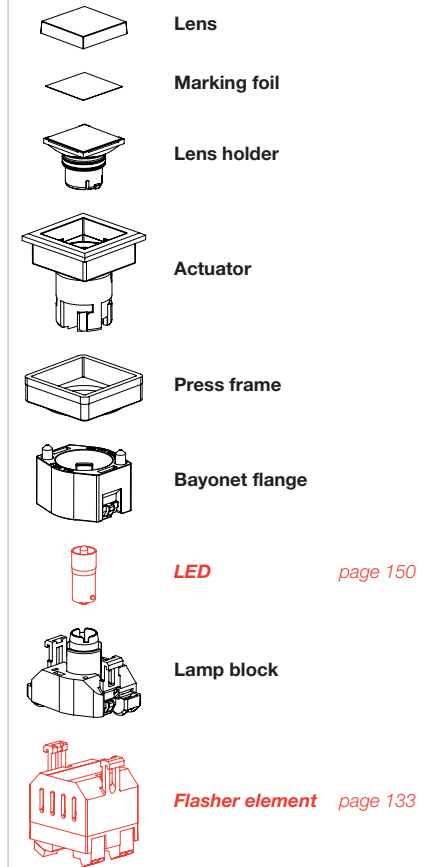
Additional Information

- Housing plastic black
- The lamp block will be delivered with screw terminal
- Other terminal options of the part flasher element see «Accessories»
- The colour of anodized aluminium parts can vary due to technical production reasons





Mounting cut-outs [mm]
PIT = Push-in terminal,
X = Screw terminal


Equipment consisting of (schematic overview)

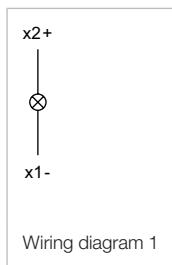


Each Part Number listed below includes all the black components shown in the 3D-drawing.

To obtain a complete unit, please select the red components from the pages shown.

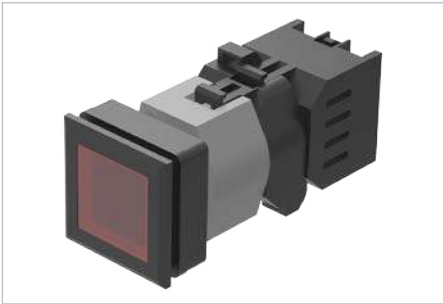
| Front ring | Front bezel | Lens | Part No. | Wiring diagram | Weight |
|--|--------------------|--|--------------------|----------------|--------------------|
|  <p>Flasher actuator, Front dimension 35 x 35 mm</p> | Plastic black | Plastic red | 704.206.200 | 1 | 0.061 kg |
| | | Plastic yellow | 704.206.400 | 1 | 0.061 kg |
| | | Plastic green | 704.206.500 | 1 | 0.061 kg |
| | | Plastic blue | 704.206.600 | 1 | 0.061 kg |
| | | Plastic colourless | 704.206.700 | 1 | 0.061 kg |
| | |  <p>Flasher actuator, Front dimension 35 x 35 mm</p> | Plastic silver | Plastic red | 704.202.208 |
| Plastic yellow | 704.202.408 | | | 1 | 0.061 kg |
| Plastic green | 704.202.508 | | | 1 | 0.061 kg |
| Plastic blue | 704.202.608 | | | 1 | 0.061 kg |
| Plastic colourless | 704.202.708 | | | 1 | 0.061 kg |

| Front ring | Front bezel | Lens | Part No. | Wiring diagram | Weight |
|---|-------------|--------------------|--------------------|----------------|----------|
|  <p>Flasher actuator, Front dimension Ø 35 mm</p> | | | | | |
| Aluminium natural anodized | | Plastic red | 704.006.218 | 1 | 0.061 kg |
| | | Plastic yellow | 704.006.418 | 1 | 0.061 kg |
| | | Plastic green | 704.006.518 | 1 | 0.061 kg |
| | | Plastic blue | 704.006.618 | 1 | 0.061 kg |
| | | Plastic colourless | 704.006.718 | 1 | 0.061 kg |

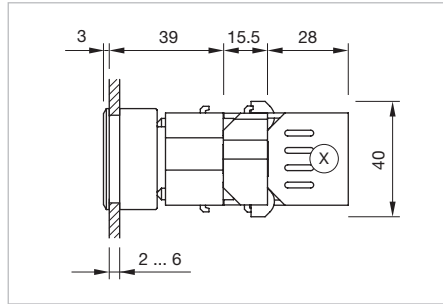


04 Flush design

Flasher square, IP65



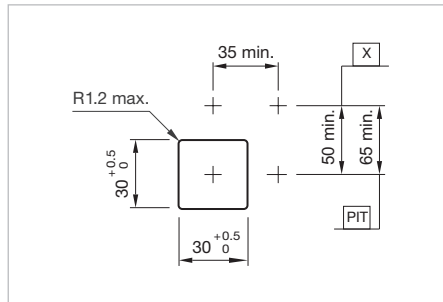
Product can differ from the current configuration.



Dimensions [mm]
X = Screw terminal

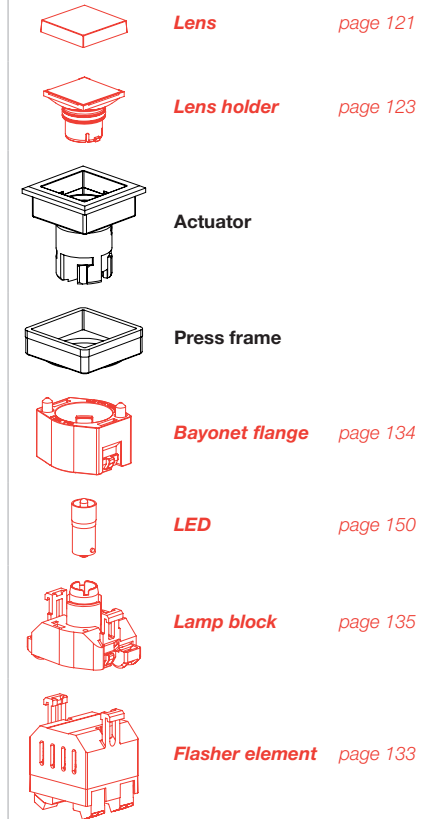
Additional Information

- Housing plastic black
- Other terminal options from the part flasher element and lamp block see «Accessories»




Mounting cut-outs [mm]
PIT = Push-in terminal,
X = Screw terminal

Equipment consisting of (schematic overview)



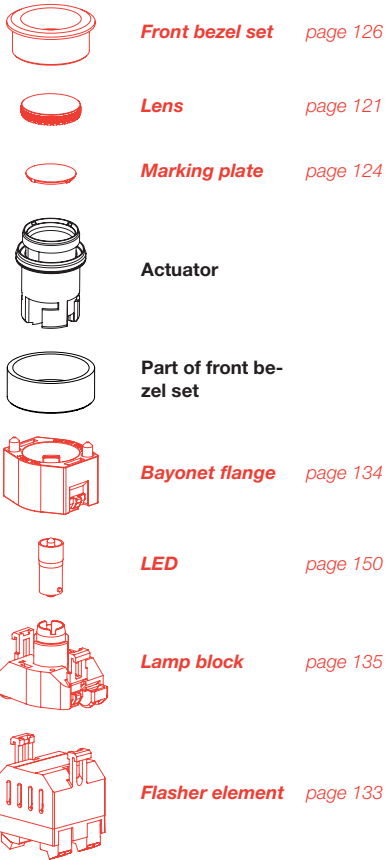
Each Part Number listed below includes all the black components shown in the 3D-drawing.

To obtain a complete unit, please select the red components from the pages shown.

| Front bezel | Part No. | Weight |
|--|------------------|----------|
|  <p>Flasher actuator square, Front dimension 35 x 35 mm</p> | | |
| Plastic black | 704.743.0 | 0.020 kg |
| Plastic silver | 704.743.8 | 0.020 kg |

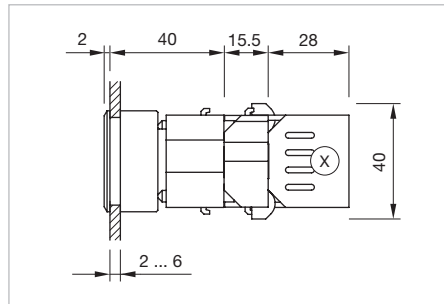
Flasher round, IP65

Equipment consisting of (schematic overview)

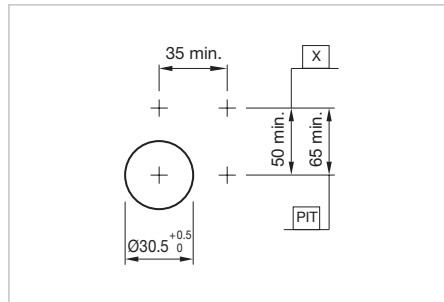


Each Part Number listed below includes all the black components shown in the 3D-drawing.

To obtain a complete unit, please select the red components from the pages shown.



Dimensions [mm]
X = Screw terminal



Mounting cut-outs [mm]
PIT = Push-in terminal,
X = Screw terminal



Product can differ from the current configuration.

Additional Information

- For front dimension \varnothing 35 mm
- Housing plastic grey
- Lens flat or raised possible; equal choose marking plate or marking cap
- Other terminal options from the part flasher element and lamp block see «Accessories»

Part No.

Weight



Flasher actuator round

704.633.1

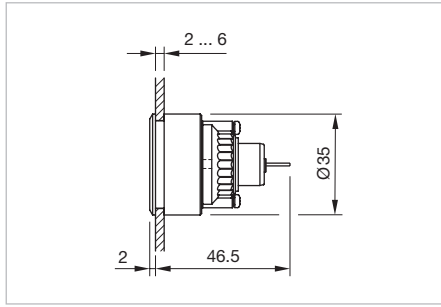
0.020 kg

04 Flush design

Buzzer, IP 40

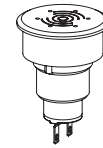


Product can differ from the current configuration.

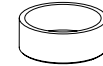


Dimensions [mm]

Equipment consisting of (schematic overview)



Buzzer



Pressure ring

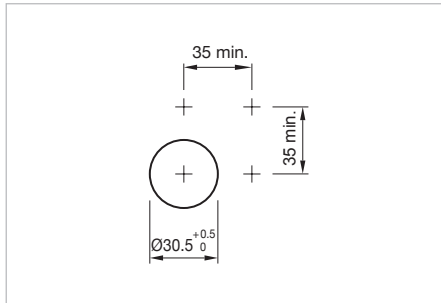


Fixing nut


Each Part Number listed below includes all the black components shown in the 3D-drawing.

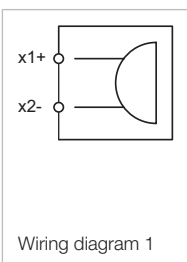
Additional Information

- Further information see «Technical data»
- The colour of anodized aluminium parts can vary due to technical production reasons



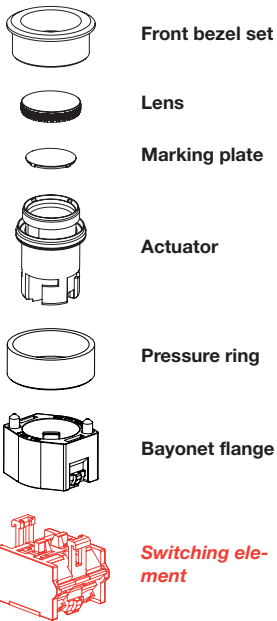
Mounting cut-outs [mm]

| Operating voltage | Front cap | Terminal | Part No. | Wiring diagram | Weight |
|---|----------------------------|---------------------|-------------------|----------------|----------|
|  Buzzer, Front dimension Ø 35 mm | Aluminium black anodized | Solder 2.8 x 0.5 mm | 14-810.910 | 1 | 0.016 kg |
| | Aluminium natural anodized | Solder 2.8 x 0.5 mm | 14-810.918 | 1 | 0.016 kg |

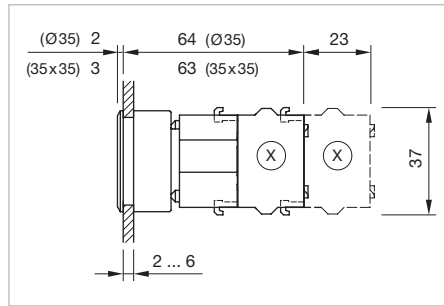


Pushbutton, IP65

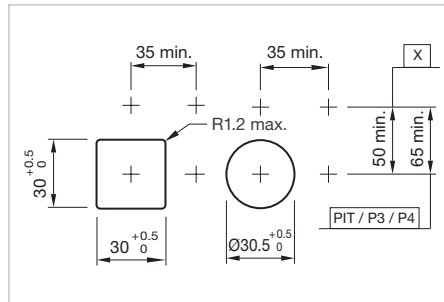
Equipment consisting of (schematic overview)



page 138



Dimensions [mm]
X = Screw terminal



Mounting cut-outs [mm]
PIT = Push-in terminal,
P3 = Plug-in terminal 6.3 x 0.8 mm,
P4 = Double plug-in terminal 6.3 x 0.8 mm,
X = Screw terminal




Product can differ from the current configuration.

Additional Information

- Other terminal options from the part switching element see «Accessories»
- The colour of anodized aluminium parts can vary due to technical production reasons
- Max. 3 switching elements can be clipped on

Each Part Number listed below includes all the black components shown in the 3D-drawing.

To obtain a complete unit, please select the red components from the pages shown.

| Housing | Front ring | Front bezel | Lens | Switching action | Part No. | Wiring diagram | Weight |
|---|------------|--------------------|--------------------|--------------------|--------------------|----------------|----------|
|  <p>Pushbutton actuator, Front dimension 35 x 35 mm</p> | | | | | | | |
| Plastic black | | Plastic black | Plastic black | B | 704.209.000 | 1 | 0.051 kg |
| | | | Plastic red | B | 704.209.200 | 1 | 0.051 kg |
| | | | Plastic yellow | B | 704.209.400 | 1 | 0.051 kg |
| | | | Plastic green | B | 704.209.500 | 1 | 0.051 kg |
| | | | Plastic blue | B | 704.209.600 | 1 | 0.051 kg |
| | | | Plastic colourless | B | 704.209.700 | 1 | 0.051 kg |
| | | Plastic silver | Plastic black | B | 704.210.008 | 1 | 0.051 kg |
| | | | Plastic red | B | 704.210.208 | 1 | 0.051 kg |
| | | | Plastic yellow | B | 704.210.408 | 1 | 0.051 kg |
| | | | Plastic green | B | 704.210.508 | 1 | 0.051 kg |
| | | | Plastic blue | B | 704.210.608 | 1 | 0.051 kg |
| | | | Plastic colourless | B | 704.210.708 | 1 | 0.051 kg |
| | | Plastic black | Plastic black | C | 704.239.000 | 2 | 0.051 kg |
| | | | Plastic red | C | 704.239.200 | 2 | 0.051 kg |
| | | | Plastic yellow | C | 704.239.400 | 2 | 0.051 kg |
| | | | Plastic blue | C | 704.239.600 | 2 | 0.051 kg |
| | | Plastic colourless | C | 704.239.700 | 2 | 0.051 kg | |

04 Flush design

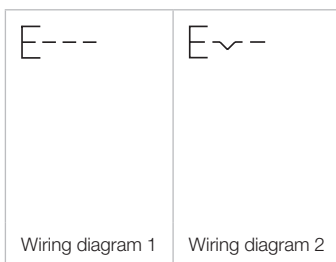
| Housing | Front ring | Front bezel | Lens | Switching action | Part No. | Wiring diagram | Weight |
|---------------|------------|----------------|--------------------|------------------|--------------------|----------------|----------|
| Plastic black | | Plastic silver | Plastic red | C | 704.240.208 | 2 | 0.051 kg |
| | | | Plastic yellow | C | 704.240.408 | 2 | 0.051 kg |
| | | | Plastic green | C | 704.240.508 | 2 | 0.051 kg |
| | | | Plastic colourless | C | 704.240.708 | 2 | 0.051 kg |



Pushbutton actuator, Front dimension Ø 35 mm

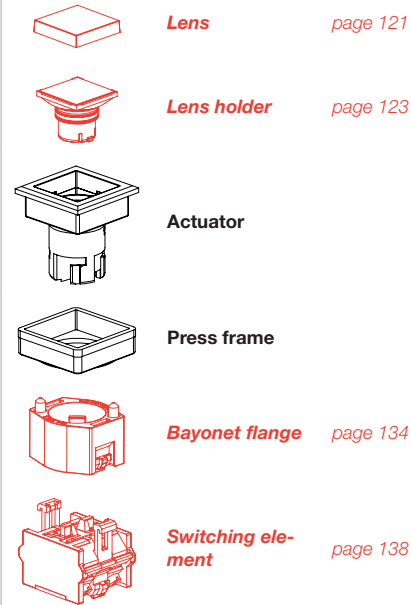
| | | | | | | |
|--------------|----------------------------|--------------------------------|---|--------------------|---|----------|
| Plastic grey | Aluminium natural anodized | Aluminium black anodized | B | 704.011.018 | 1 | 0.051 kg |
| | | Aluminium red anodized | B | 704.011.218 | 1 | 0.051 kg |
| | | Aluminium gold anodized | B | 704.011.418 | 1 | 0.051 kg |
| | | Aluminium olive-green anodized | B | 704.011.518 | 1 | 0.051 kg |
| | | Aluminium blue anodized | B | 704.011.618 | 1 | 0.051 kg |
| | | Aluminium natural anodized | B | 704.011.818 | 1 | 0.051 kg |
| | | Plastic black | B | 704.012.018 | 1 | 0.051 kg |
| | | Plastic red | B | 704.012.218 | 1 | 0.051 kg |
| | | Plastic yellow | B | 704.012.418 | 1 | 0.051 kg |
| | | Plastic green | B | 704.012.518 | 1 | 0.051 kg |
| | | Plastic blue | B | 704.012.618 | 1 | 0.051 kg |
| | | Plastic colourless | B | 704.012.718 | 1 | 0.051 kg |
| | | Plastic black | C | 704.042.018 | 2 | 0.051 kg |
| | | Plastic red | C | 704.042.218 | 2 | 0.051 kg |
| | | Plastic yellow | C | 704.042.418 | 2 | 0.051 kg |
| | | Plastic green | C | 704.042.518 | 2 | 0.051 kg |
| | | Plastic blue | C | 704.042.618 | 2 | 0.051 kg |
| | | Plastic colourless | C | 704.042.718 | 2 | 0.051 kg |

Switching action : B = Momentary, C = Maintain



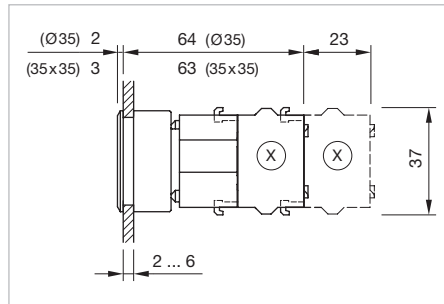
Pushbutton square, IP65

Equipment consisting of (schematic overview)

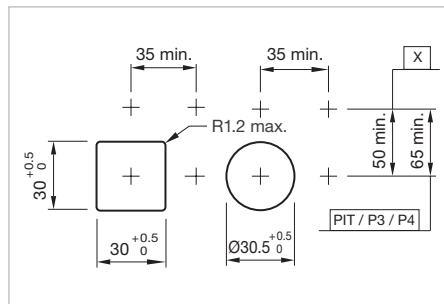


Each Part Number listed below includes all the black components shown in the 3D-drawing.

To obtain a complete unit, please select the red components from the pages shown.



Dimensions [mm]
X = Screw terminal




Mounting cut-outs [mm]
PIT = Push-in terminal,
P3 = Plug-in terminal 6.3 x 0.8 mm,
P4 = Double plug-in terminal 6.3 x 0.8 mm,
X = Screw terminal



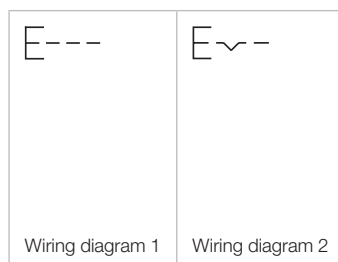
Product can differ from the current configuration.

Additional Information

- Housing plastic black
- Other terminal options from the part switching element see «Accessories»
- Max. 3 switching elements can be clipped on

| Front bezel | Switching action | Part No. | Wiring diagram | Weight |
|---|---|------------------|----------------|----------|
|  | Pushbutton actuator square, Front dimension 35 x 35 mm | | | |
| Plastic black | B | 704.741.0 | 1 | 0.020 kg |
| Plastic silver | B | 704.741.8 | 1 | 0.020 kg |
| Plastic black | C | 704.742.0 | 2 | 0.020 kg |
| Plastic silver | C | 704.742.8 | 2 | 0.020 kg |

Switching action : B = Momentary, C = Maintain

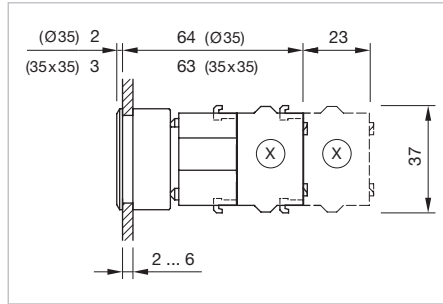


04 Flush design

Pushbutton round, IP65



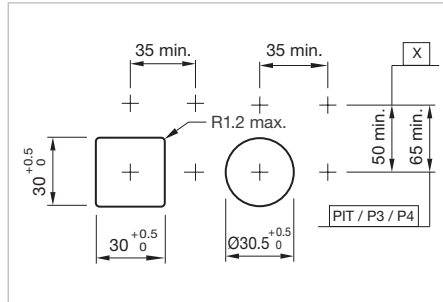
Product can differ from the current configuration.



Dimensions [mm]
X = Screw terminal

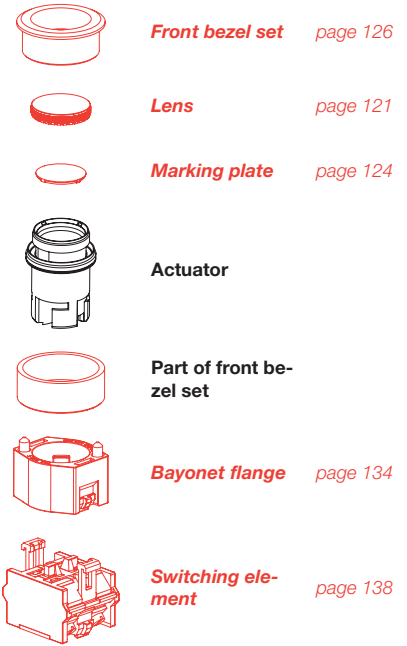
Additional Information

- For front dimension Ø 35 mm
- Metal lens to be ordered with marking plates
- Housing plastic grey
- Other terminal options from the part switching element see «Accessories»
- Max. 3 switching elements can be clipped on




Mounting cut-outs [mm]
PIT = Push-in terminal,
P3 = Plug-in terminal 6.3 x 0.8 mm,
P4 = Double plug-in terminal 6.3 x 0.8 mm,
X = Screw terminal

Equipment consisting of (schematic overview)

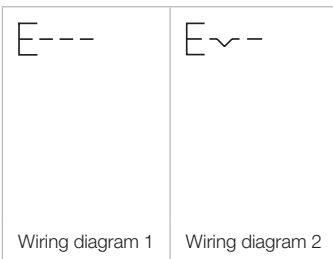


Each Part Number listed below includes all the black components shown in the 3D-drawing.

To obtain a complete unit, please select the red components from the pages shown.

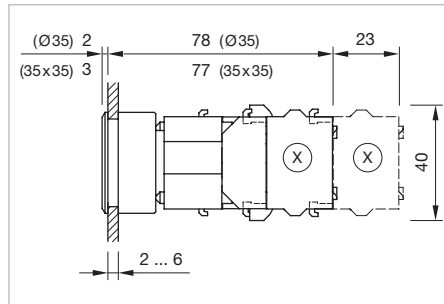
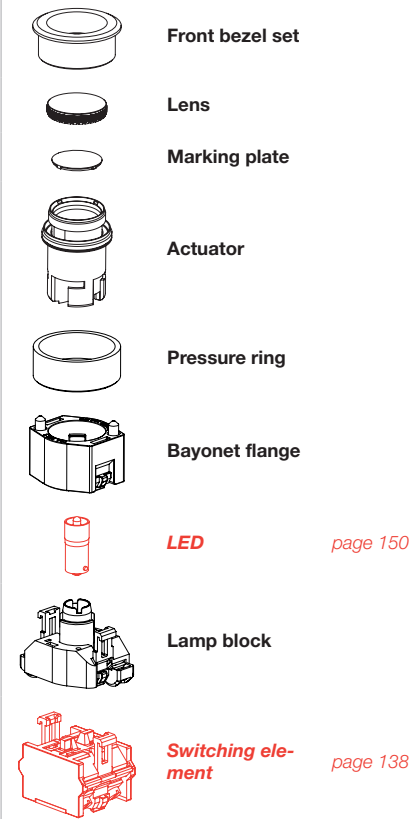
| Switching action | Part No. | Wiring diagram | Weight |
|---|------------------|----------------|----------|
|  <p>Pushbutton actuator round</p> | 704.631.1 | 1 | 0.009 kg |
| | 704.632.1 | 2 | 0.009 kg |

Switching action : B = Momentary, C = Maintain

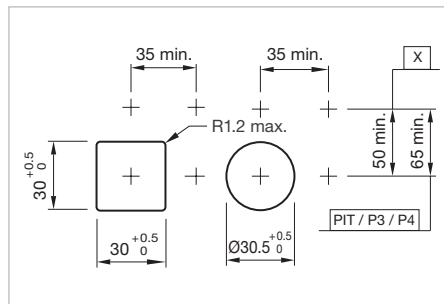


Illuminated pushbutton, IP65

Equipment consisting of (schematic overview)



Dimensions [mm]
X = Screw terminal



Mounting cut-outs [mm]
PIT = Push-in terminal,
P3 = Plug-in terminal 6.3 x 0.8 mm,
P4 = Double plug-in terminal 6.3 x 0.8 mm,
X = Screw terminal




Product can differ from the current configuration.

Additional Information


- The lamp block will be delivered with screw terminal
- Other terminal options from the part switching element see «Accessories»
- The colour of anodized aluminium parts can vary due to technical production reasons
- Max. 3 switching elements can be clipped on

Each Part Number listed below includes all the black components shown in the 3D-drawing.

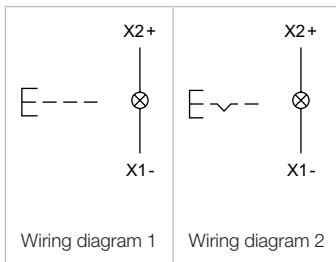
To obtain a complete unit, please select the red components from the pages shown.

| Housing | Front ring | Front bezel | Lens | Switching action | Part No. | Wiring diagram | Weight |
|---|------------|----------------|--------------------|------------------|--------------------|----------------|----------|
|  <p style="text-align: center;">Illuminated pushbutton actuator, Front dimension 35 x 35 mm</p> | | | | | | | |
| Plastic black | | Plastic black | Plastic red | B | 704.229.200 | 1 | 0.051 kg |
| | | | Plastic yellow | B | 704.229.400 | 1 | 0.051 kg |
| | | | Plastic green | B | 704.229.500 | 1 | 0.051 kg |
| | | | Plastic blue | B | 704.229.600 | 1 | 0.051 kg |
| | | | Plastic colourless | B | 704.229.700 | 1 | 0.051 kg |
| | | Plastic silver | Plastic red | B | 704.230.208 | 1 | 0.051 kg |
| | | | Plastic yellow | B | 704.230.408 | 1 | 0.051 kg |
| | | | Plastic green | B | 704.230.508 | 1 | 0.051 kg |
| | | | Plastic blue | B | 704.230.608 | 1 | 0.051 kg |
| | | | Plastic colourless | B | 704.230.708 | 1 | 0.051 kg |
| | | Plastic black | Plastic red | C | 704.259.200 | 2 | 0.051 kg |
| | | | Plastic yellow | C | 704.259.400 | 2 | 0.051 kg |
| | | | Plastic green | C | 704.259.500 | 2 | 0.051 kg |
| | | | Plastic blue | C | 704.259.600 | 2 | 0.051 kg |
| | | | Plastic colourless | C | 704.259.700 | 2 | 0.051 kg |

04 Flush design



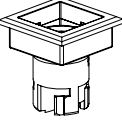
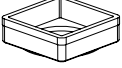
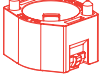

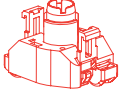
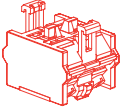
| Housing | Front ring | Front bezel | Lens | Switching action | Part No. | Wiring diagram | Weight |
|--|----------------------------|----------------|--------------------|------------------|--------------------|----------------|----------|
| Plastic black | | Plastic silver | Plastic red | C | 704.260.208 | 2 | 0.051 kg |
| | | | Plastic yellow | C | 704.260.408 | 2 | 0.051 kg |
| | | | Plastic green | C | 704.260.508 | 2 | 0.051 kg |
| | | | Plastic blue | C | 704.260.608 | 2 | 0.051 kg |
| | | | Plastic colourless | C | 704.260.708 | 2 | 0.051 kg |
|  <p>Illuminated pushbutton actuator, Front dimension Ø 35 mm</p> | | | | | | | |
| Plastic grey | Aluminium natural anodized | | Plastic red | B | 704.032.218 | 1 | 0.067 kg |
| | | | Plastic yellow | B | 704.032.418 | 1 | 0.067 kg |
| | | | Plastic green | B | 704.032.518 | 1 | 0.067 kg |
| | | | Plastic blue | B | 704.032.618 | 1 | 0.067 kg |
| | | | Plastic colourless | B | 704.032.718 | 1 | 0.067 kg |
| | | | Plastic red | C | 704.062.218 | 2 | 0.067 kg |
| | | | Plastic yellow | C | 704.062.418 | 2 | 0.067 kg |
| | | | Plastic green | C | 704.062.518 | 2 | 0.067 kg |
| | | | Plastic blue | C | 704.062.618 | 2 | 0.067 kg |
| | | | Plastic colourless | C | 704.062.718 | 2 | 0.067 kg |

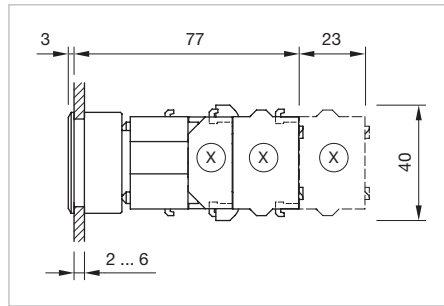
Switching action : B = Momentary, C = Maintain



Illuminated pushbutton square, IP65

Equipment consisting of (schematic overview)

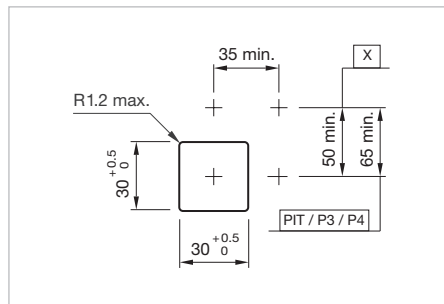
-  **Lens** page 121
-  **Lens holder** page 123
-  **Actuator**
-  **Press frame**
-  **Bayonet flange** page 134
-  **LED** page 150
-  **Lamp block** page 135
-  **Switching element** page 138



Dimensions [mm]
X = Screw terminal



Product can differ from the current configuration.




Mounting cut-outs [mm]
PIT = Push-in terminal,
P3 = Plug-in terminal 6.3 x 0.8 mm,
P4 = Double plug-in terminal 6.3 x 0.8 mm,
X = Screw terminal

Additional Information

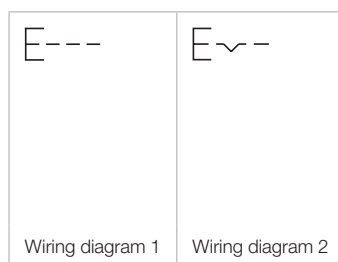
- Housing plastic black
- Other terminal options from the parts switching element and lamp block see «Accessories»
- Max. 3 switching elements can be clipped on

Each Part Number listed below includes all the black components shown in the 3D-drawing.

To obtain a complete unit, please select the red components from the pages shown.

| Front bezel | Switching action | Part No. | Wiring diagram | Weight |
|---|---|------------------|----------------|----------|
|  | Illuminated pushbutton actuator square, Front dimension 35 x 35 mm | | | |
| Plastic black | B | 704.741.0 | 1 | 0.020 kg |
| Plastic silver | B | 704.741.8 | 1 | 0.020 kg |
| Plastic black | C | 704.742.0 | 2 | 0.020 kg |
| Plastic silver | C | 704.742.8 | 2 | 0.020 kg |

Switching action : B = Momentary, C = Maintain

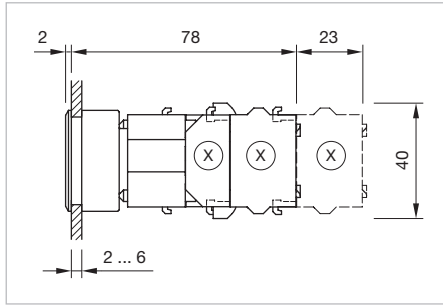


04 Flush design

Illuminated pushbutton round, IP65



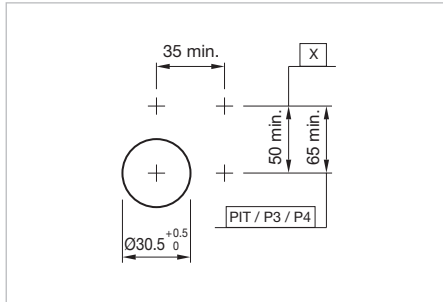
Product can differ from the current configuration.



Dimensions [mm]
X = Screw terminal

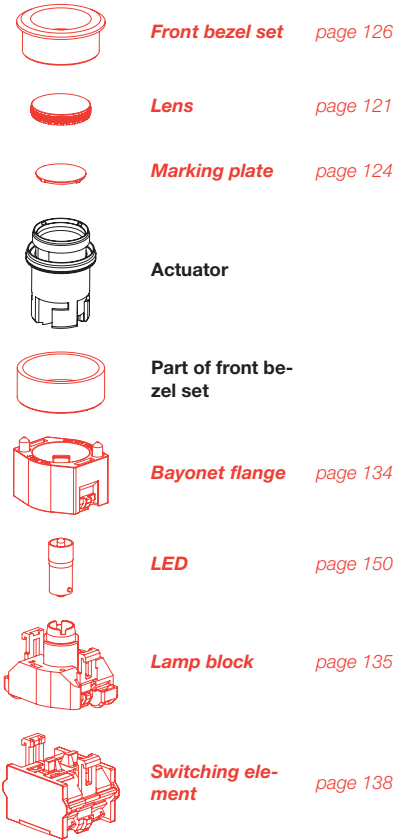
Additional Information

- For front dimension \varnothing 35 mm
- Housing plastic grey
- Choose lens plastic or lens metal with spot round
- Other terminal options from the parts switching element and lamp block see «Accessories»
- Max. 3 switching elements can be clipped on




Mounting cut-outs [mm]
PIT = Push-in terminal,
P3 = Plug-in terminal 6.3 x 0.8 mm,
P4 = Double plug-in terminal 6.3 x 0.8 mm,
X = Screw terminal

Equipment consisting of (schematic overview)

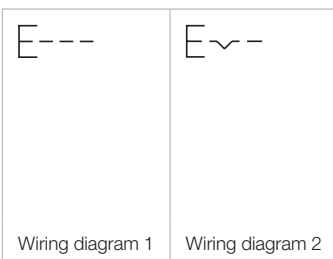


Each Part Number listed below includes all the black components shown in the 3D-drawing.

To obtain a complete unit, please select the red components from the pages shown.

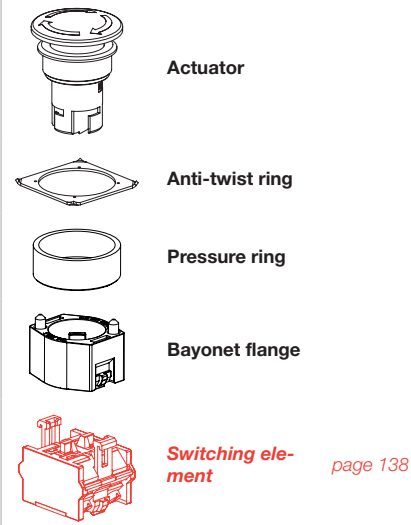
| Switching action | Part No. | Wiring diagram | Weight |
|---|------------------|----------------|----------|
|  | | | |
| Illuminated pushbutton actuator round | | | |
| B | 704.631.1 | 1 | 0.009 kg |
| C | 704.632.1 | 2 | 0.009 kg |

Switching action : B = Momentary, C = Maintain



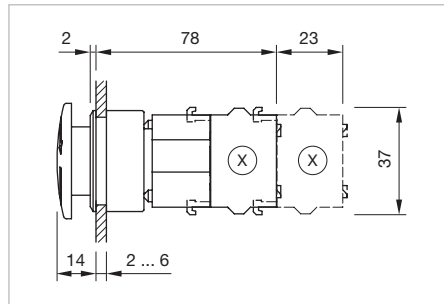
Stop switch, IP65

Equipment consisting of (schematic overview)

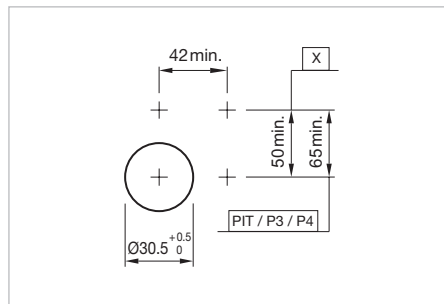


Each Part Number listed below includes all the black components shown in the 3D-drawing.

To obtain a complete unit, please select the red components from the pages shown.



Dimensions [mm]
X = Screw terminal



Mounting cut-outs [mm]
PIT = Push-in terminal,
P3 = Plug-in terminal 6.3 x 0.8 mm,
P4 = Double plug-in terminal 6.3 x 0.8 mm,
X = Screw terminal



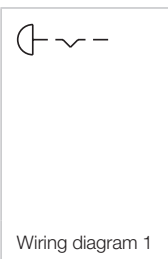
Product can differ from the current configuration.

Additional Information

- Other terminal options from the part switching element see «Accessories»
- Twist to unlock clockwise
- Max. 3 switching elements can be clipped on
- The colour of anodized aluminium parts can vary due to technical production reasons

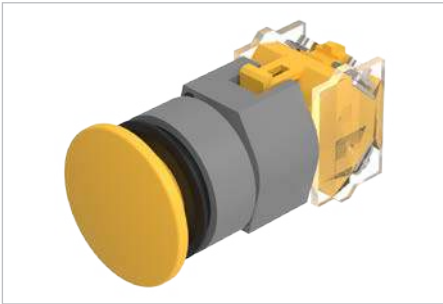
| Front ring | Lens | Marking | Switching action | Part No. | Wiring diagram | Weight |
|--|-------------|---------|------------------|--------------------|----------------|----------|
| | | | | | | |
| Stop switch actuator, Front dimension Ø 40 mm | | | | | | |
| Aluminium natural anodized | Plastic red | Arrows | C | 704.075.218 | 1 | 0.048 kg |
| | | Stop | C | 704.075.318 | 1 | 0.048 kg |
| Aluminium black anodized | Plastic red | Arrows | C | 704.074.210 | 1 | 0.048 kg |
| | | Stop | C | 704.075.310 | 1 | 0.048 kg |

Switching action : C = Maintain

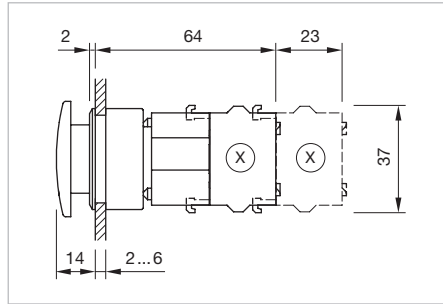


04 Flush design

Mushroom-head pushbutton, IP65



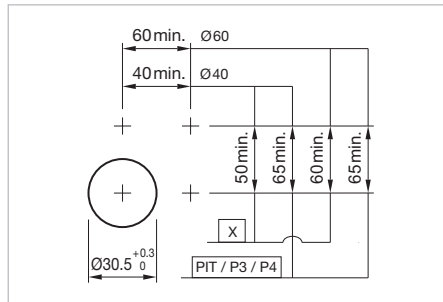
Product can differ from the current configuration.



Dimensions [mm]
X = Screw terminal

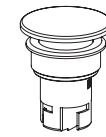
Additional Information

- Other terminal options from the part switching element see «Accessories»
- Max. 3 switching elements can be clipped on
- The colour of anodized aluminium parts can vary due to technical production reasons



Mounting cut-outs [mm]
PIT = Push-in terminal,
P3 = Plug-in terminal 6.3 x 0.8 mm,
P4 = Double plug-in terminal 6.3 x 0.8 mm,
X = Screw terminal

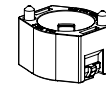
Equipment consisting of (schematic overview)



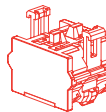
Actuator



Pressure ring



Bayonet flange




Switching element

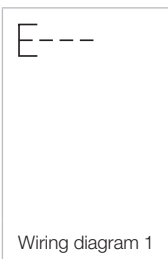
page 138

Each Part Number listed below includes all the black components shown in the 3D-drawing.

To obtain a complete unit, please select the red components from the pages shown.

| Front ring | Lens | Switching action | Part No. | Wiring diagram | Weight |
|---|----------------|------------------|--------------------|----------------|----------|
|  Mushroom-head pushbutton actuator, Front dimension Ø 40 mm | | | | | |
| Aluminium natural anodized | Plastic red | B | 704.071.218 | 1 | 0.041 kg |
| | Plastic yellow | B | 704.071.418 | 1 | 0.041 kg |
| Aluminium black anodized | Plastic red | B | 704.071.210 | 1 | 0.041 kg |
| | Plastic yellow | B | 704.071.410 | 1 | 0.041 kg |

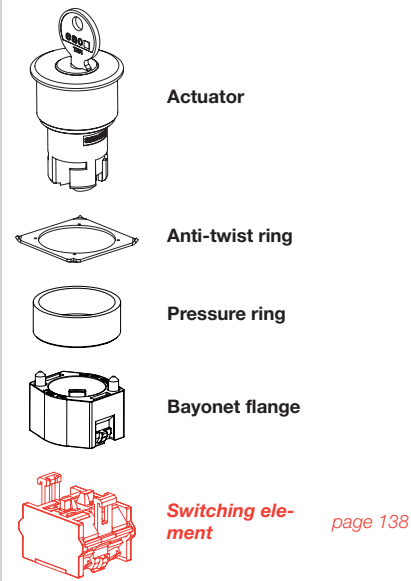
Switching action : B = Momentary



Wiring diagram 1

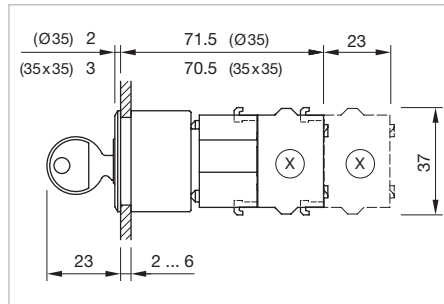
Keylock switch 2 positions, IP65

Equipment consisting of (schematic overview)

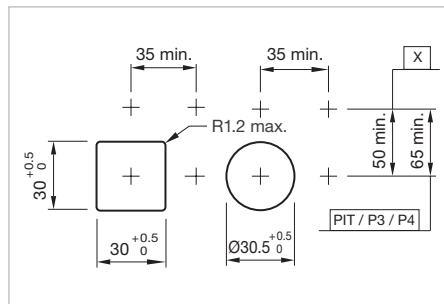


Each Part Number listed below includes all the black components shown in the 3D-drawing.

To obtain a complete unit, please select the red components from the pages shown.



Dimensions [mm]
X = Screw terminal



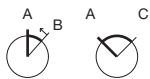
Mounting cut-outs [mm]
PIT = Push-in terminal,
P3 = Plug-in terminal 6.3 x 0.8 mm,
P4 = Double plug-in terminal 6.3 x 0.8 mm,
X = Screw terminal




Product can differ from the current configuration.

Additional Information


- Other terminal options from the part switching element see «Accessories»
- The colour of anodized aluminium parts can vary due to technical production reasons
- The standard lock Ronis 251
- Two keys are supplied with each key lock switch
- Further lock numbers see «Technical data»
- Max. 3 switching elements can be clipped on



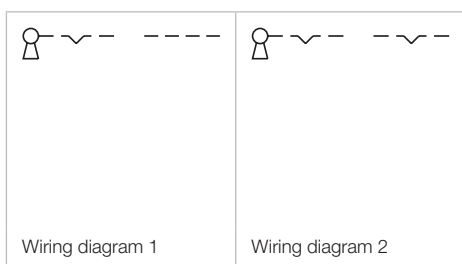
Switching positions (A = Rest, B = Momentary, C = Maintained)

| Front ring | Front bezel | Switching action | Switching angle | Key remove | Part No. | Wiring diagram | Weight |
|---|--|------------------|-----------------|------------|--------------------|----------------|----------|
|  | Keylock switch actuator 2 positions, Front dimension 35 x 35 mm | | | | | | |
| | Plastic black | A - B | B = 42° | A | 704.343.000 | 1 | 0.099 kg |
| | Plastic silver | A - B | B = 42° | A | 704.343.008 | 1 | 0.099 kg |
| | Plastic black | A - C | C = 90° | C | 704.340.000 | 2 | 0.099 kg |
| | | | | A | 704.341.000 | 2 | 0.099 kg |
| | | | | A + C | 704.342.000 | 2 | 0.099 kg |
| | | | | A + C | 704.342.008 | 2 | 0.099 kg |
| | Plastic silver | A - C | C = 90° | C | 704.340.008 | 2 | 0.099 kg |
| | | | | A | 704.341.008 | 2 | 0.099 kg |
| | | | | A + C | 704.342.008 | 2 | 0.099 kg |

04 Flush design

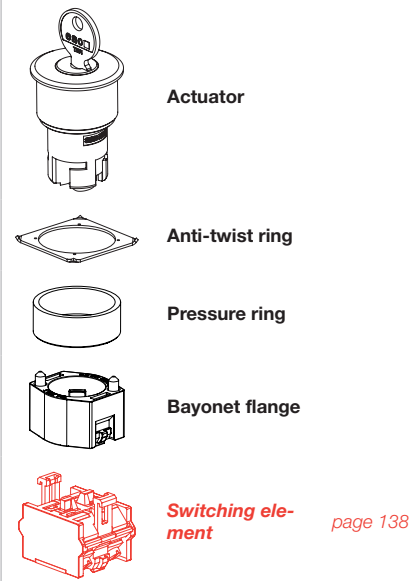
| Front ring | Front bezel | Switching action | Switching angle | Key remove | Part No. | Wiring diagram | Weight |
|--|-------------|------------------|-----------------|------------|--------------------|----------------|----------|
|  <p>Keylock switch actuator 2 positions, Front dimension Ø 35 mm</p> | | | | | | | |
| Aluminium natural anodized | | A - B | B = 42° | A | 704.123.018 | 1 | 0.099 kg |
| | | A - C | C = 90° | C | 704.120.018 | 2 | 0.099 kg |
| | | | | A | 704.121.018 | 2 | 0.099 kg |
| | | | | A + C | 704.122.018 | 2 | 0.099 kg |

Switching action : A = Rest, B = Momentary, C = Maintain



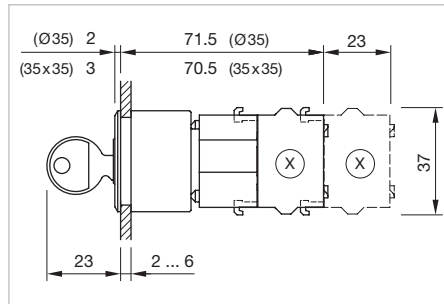
Keylock switch 3 positions, IP65

Equipment consisting of (schematic overview)

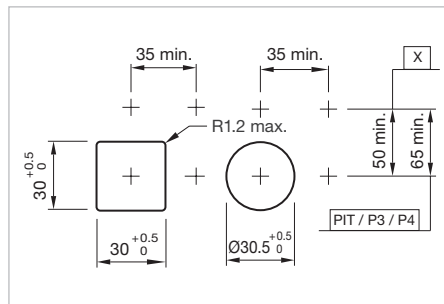


Each Part Number listed below includes all the black components shown in the 3D-drawing.

To obtain a complete unit, please select the red components from the pages shown.



Dimensions [mm]
X = Screw terminal



Mounting cut-outs [mm]
PIT = Push-in terminal,
P3 = Plug-in terminal 6.3 x 0.8 mm,
P4 = Double plug-in terminal 6.3 x 0.8 mm,
X = Screw terminal




Product can differ from the current configuration.

Additional Information


- Other terminal options from the part switching element see «Accessories»
- The colour of anodized aluminium parts can vary due to technical production reasons
- Locknumbers 251, lock type Ronis
- Two keys are supplied with each key lock switch
- Further lock numbers see «Technical data»
- Max. 3 switching elements can be clipped on







Switching positions (A = Rest, B = Momentary, C = Maintained)

| Front ring | Front bezel | Switching action | Switching angle | Key remove | Part No. | Wiring diagram | Weight |
|---|--|------------------|------------------|------------|--------------------|----------------|----------|
|  | Keylock switch actuator 3 positions, Front dimension 35 x 35 mm | | | | | | |
| | Plastic black | B - A - C | B = 42°, C = 42° | A | 704.338.000 | 1 | 0.099 kg |
| | Plastic silver | B - A - C | B = 42°, C = 42° | A | 704.338.008 | 1 | 0.099 kg |
| | Plastic black | C - A - B | C = 42°, B = 42° | C | 704.337.000 | 2 | 0.099 kg |
| | | | | C + A | 704.344.000 | 2 | 0.099 kg |
| | Plastic silver | C - A - B | C = 42°, B = 42° | C | 704.337.008 | 2 | 0.099 kg |
| | | | | C + A | 704.344.008 | 2 | 0.099 kg |
| | Plastic black | B - A - B | B = 42° / 42° | A | 704.335.000 | 3 | 0.099 kg |
| | Plastic silver | B - A - B | B = 42° / 42° | A | 704.335.008 | 3 | 0.099 kg |
| | Plastic black | C - A - C | C = 42° / 42° | A | 704.334.000 | 4 | 0.099 kg |
| | | | | C + C | 704.336.000 | 4 | 0.099 kg |
| | Plastic silver | C - A - C | C = 42° / 42° | A | 704.334.008 | 4 | 0.099 kg |
| | | | | C + C | 704.336.008 | 4 | 0.099 kg |
| | Plastic black | C - A - C | C = 90° / 90° | C + A + C | 704.333.000 | 4 | 0.099 kg |
| | Plastic silver | C - A - C | C = 90° / 90° | C + A + C | 704.333.008 | 4 | 0.099 kg |

04 Flush design

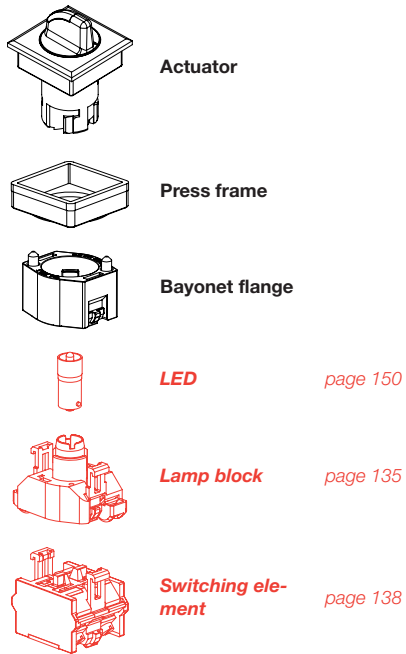
| Front ring | Front bezel | Switching action | Switching angle | Key remove | Part No. | Wiring diagram | Weight |
|--|-------------|------------------|------------------|---------------|--------------------|--------------------|----------|
|  <p>Keylock switch actuator 3 positions, Front dimension Ø 35 mm</p> | | | | | | | |
| Aluminium natural anodized | | B - A - C | B = 42°, C = 42° | A | 704.118.018 | 1 | 0.099 kg |
| | | C - A - B | C = 42°, B = 42° | C | 704.117.018 | 2 | 0.099 kg |
| | | | | C + A | 704.124.018 | 2 | 0.099 kg |
| | | B - A - B | B = 42° / 42° | A | 704.115.018 | 3 | 0.099 kg |
| | | C - A - C | C = 42° / 42° | A | 704.114.018 | 4 | 0.099 kg |
| | | | | C + C | 704.116.018 | 4 | 0.099 kg |
| | | | | C = 90° / 90° | C + A + C | 704.113.018 | 4 |

Switching action : A = Rest, B = Momentary, C = Maintain

| | | | |
|---|---|--|---|
|  |  |  |  |
| Wiring diagram 1 | Wiring diagram 2 | Wiring diagram 3 | Wiring diagram 4 |

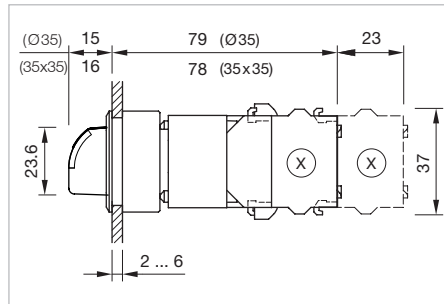
Selector switch actuator illuminated, 2 positions short lever, IP65

Equipment consisting of (schematic overview)

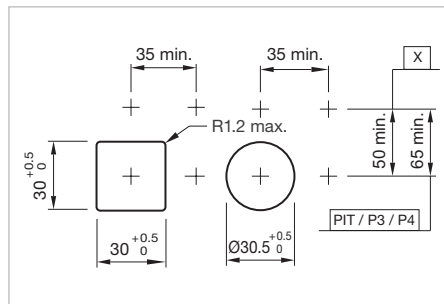


Each Part Number listed below includes all the black components shown in the 3D-drawing.

To obtain a complete unit, please select the red components from the pages shown.



Dimensions [mm]
X = Screw terminal



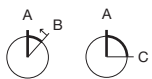
Mounting cut-outs [mm]
PIT = Push-in terminal,
P3 = Plug-in terminal 6.3 x 0.8 mm,
P4 = Double plug-in terminal 6.3 x 0.8 mm,
X = Screw terminal



Product can differ from the current configuration.

Additional Information


- Other terminal options from the part switching element see «Accessories»
- The colour of anodized aluminium parts can vary due to technical production reasons
- Max. 3 switching elements can be clipped on



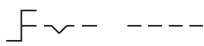
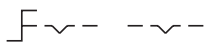
Switching positions (A = Rest, B = Momentary, C = Maintained)

| Lever | Front ring | Front bezel | Switching action | Switching angle | Part No. | Wiring diagram | Weight |
|--|------------|----------------|------------------|-----------------|---------------------|----------------|----------|
| <p>Selector switch actuator illuminated, 2 positions, short lever, Front dimension 35 x 35 mm</p> | | | | | | | |
| Plastic black | | Plastic black | A - B | B = 42° | 704.512.000I | 1 | 0.056 kg |
| | | Plastic silver | A - B | B = 42° | 704.512.008I | 1 | 0.056 kg |
| | | Plastic black | A - C | C = 90° | 704.510.000I | 2 | 0.056 kg |
| | | Plastic silver | A - C | C = 90° | 704.510.008I | 2 | 0.056 kg |

04 Flush design

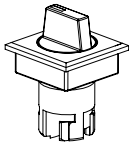
| Lever | Front ring | Front bezel | Switching action | Switching angle | Part No. | Wiring diagram | Weight |
|---|----------------------------|-------------|------------------|-----------------|---------------------|----------------|----------|
|  <p>Selector switch actuator illuminated, 2 positions, short lever, Front dimension Ø 35 mm</p> | | | | | | | |
| Plastic black | Aluminium black anodized | | A - B | B = 42° | 704.413.010I | 1 | 0.056 kg |
| | Aluminium natural anodized | | A - B | B = 42° | 704.413.018I | 1 | 0.056 kg |
| | Aluminium black anodized | | A - C | C = 90° | 704.411.010I | 2 | 0.056 kg |
| | Aluminium natural anodized | | A - C | C = 90° | 704.411.018I | 2 | 0.056 kg |

Switching action : A = Rest, B = Momentary, C = Maintain

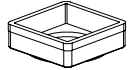
| | |
|---|---|
|  |  |
| Wiring diagram 1 | Wiring diagram 2 |

Selector switch actuator 2 positions short lever, IP65

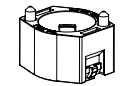
Equipment consisting of (schematic overview)



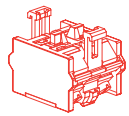
Actuator



Press frame



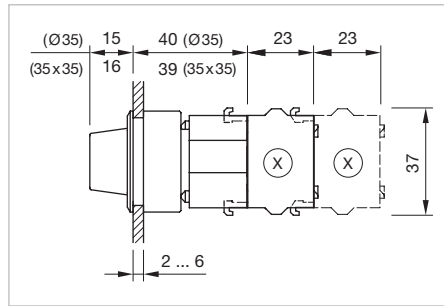
Bayonet flange



Switching element *page 138*

Each Part Number listed below includes all the black components shown in the 3D-drawing.

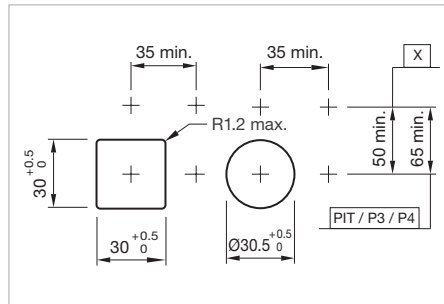
To obtain a complete unit, please select the red components from the pages shown.



Dimensions [mm]
X = Screw terminal



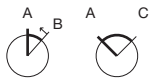
Product can differ from the current configuration.




Mounting cut-outs [mm]
PIT = Push-in terminal,
P3 = Plug-in terminal 6.3 x 0.8 mm,
P4 = Double plug-in terminal 6.3 x 0.8 mm,
X = Screw terminal

Additional Information


- Other terminal options from the part switching element see «Accessories»
- The colour of anodized aluminium parts can vary due to technical production reasons
- Max. 3 switching elements can be clipped on



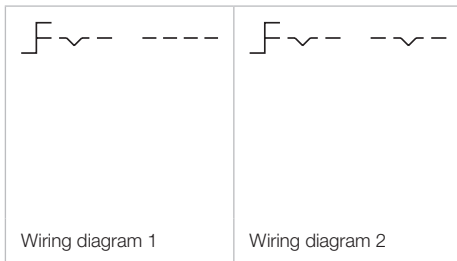
Switching positions (A = Rest, B = Momentary, C = Maintained)

| Lever | Front ring | Front bezel | Switching action | Switching angle | Part No. | Wiring diagram | Weight |
|---|------------|----------------|------------------|-----------------|--------------------|----------------|----------|
|  <p>Selector switch actuator 2 positions, short lever, Front dimension 35 x 35 mm</p> | | | | | | | |
| Plastic black | | Plastic black | A - B | B = 42° | 704.512.000 | 1 | 0.056 kg |
| | | Plastic silver | A - B | B = 42° | 704.512.008 | 1 | 0.056 kg |
| | | Plastic black | A - C | C = 90° | 704.510.000 | 2 | 0.056 kg |
| | | Plastic silver | A - C | C = 90° | 704.510.008 | 2 | 0.056 kg |

04 Flush design

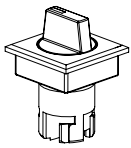
| Lever | Front ring | Front bezel | Switching action | Switching angle | Part No. | Wiring diagram | Weight |
|--|----------------------------|-------------|------------------|-----------------|--------------------|----------------|----------|
|  <p>Selector switch actuator 2 positions, short lever, Front dimension Ø 35 mm</p> | | | | | | | |
| Plastic black | Aluminium black anodized | | A - B | B = 42° | 704.413.010 | 1 | 0.056 kg |
| | Aluminium natural anodized | | A - B | B = 42° | 704.413.018 | 1 | 0.056 kg |
| | Aluminium black anodized | | A - C | C = 90° | 704.411.010 | 2 | 0.056 kg |
| | Aluminium natural anodized | | A - C | C = 90° | 704.411.018 | 2 | 0.056 kg |

Switching action : A = Rest, B = Momentary, C = Maintain

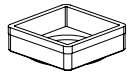


Selector switch 2 positions 12 o'clock short lever , IP65

Equipment consisting of (schematic overview)



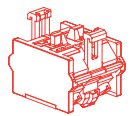
Actuator



Press frame



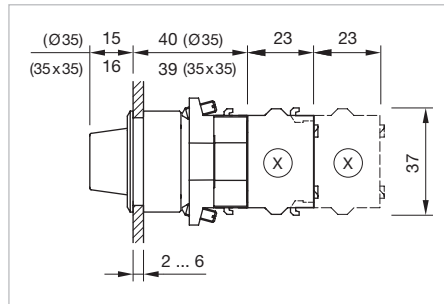
Bayonet flange



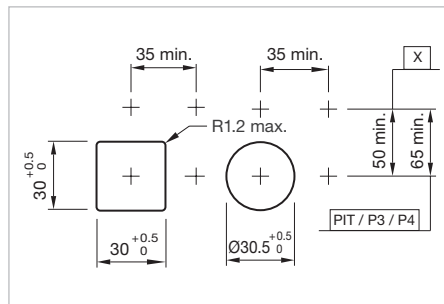
Switching element *page 138*

Each Part Number listed below includes all the black components shown in the 3D-drawing.

To obtain a complete unit, please select the red components from the pages shown.



Dimensions [mm]
X = Screw terminal



Mounting cut-outs [mm]
PIT = Push-in terminal,
P3 = Plug-in terminal 6.3 x 0.8 mm,
P4 = Double plug-in terminal 6.3 x 0.8 mm,
X = Screw terminal





Product can differ from the current configuration.

Additional Information

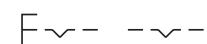
- Other terminal options from the part switching element see «Accessories»
- The colour of anodized aluminium parts can vary due to technical production reasons
- Max. 3 switching elements can be clipped on



Switching positions (A = Rest, B = Momentary, C = Maintained)

| Lever | Front ring | Front bezel | Switching action | Switching angle | Part No. | Wiring diagram | Weight |
|---|----------------------------|----------------|------------------|-----------------|-----------------------|----------------|----------|
|  <p>Selector switch actuator 2 positions 12 o'clock, short lever , Front dimension 35 x 35 mm</p> | | | | | | | |
| Plastic black | | Plastic black | A - C | C = 90° | 704.510.000.12 | 1 | 0.056 kg |
| | | Plastic silver | A - C | C = 90° | 704.510.008.12 | 1 | 0.056 kg |
|  <p>Selector switch actuator 2 positions 12 o'clock, short lever , Front dimension Ø 35 mm</p> | | | | | | | |
| Plastic black | Aluminium black anodized | | A - C | C = 90° | 704.411.010.12 | 1 | 0.056 kg |
| | Aluminium natural anodized | | A - C | C = 90° | 704.411.018.12 | 1 | 0.056 kg |

Switching action : A = Rest, C = Maintain



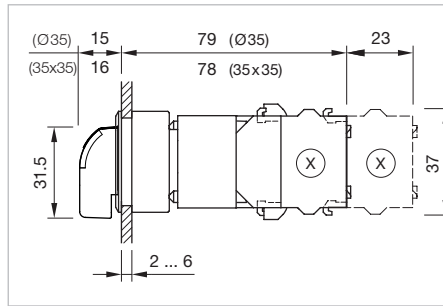
Wiring diagram 1

04 Flush design

Selector switch illuminated, 2 positions, long lever, IP65



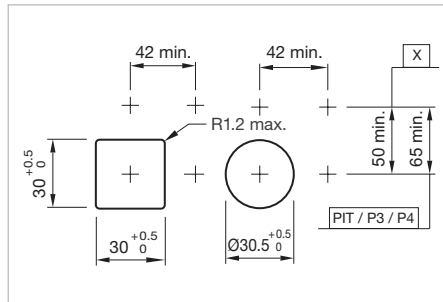
Product can differ from the current configuration.



Dimensions [mm]
X = Screw terminal

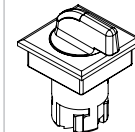
Additional Information

- Other terminal options from the part switching element see «Accessories»
- The colour of anodized aluminium parts can vary due to technical production reasons
- Max. 3 switching elements can be clipped on

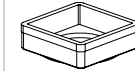


Mounting cut-outs [mm]
PIT = Push-in terminal,
P3 = Plug-in terminal 6.3 x 0.8 mm,
P4 = Double plug-in terminal 6.3 x 0.8 mm,
X = Screw terminal

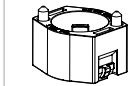
Equipment consisting of (schematic overview)



Actuator



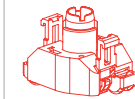
Press frame



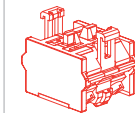
Bayonet flange



LED [page 150](#)



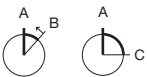
Lamp block [page 135](#)




Switching element [page 138](#)


Each Part Number listed below includes all the black components shown in the 3D-drawing.

To obtain a complete unit, please select the red components from the pages shown.

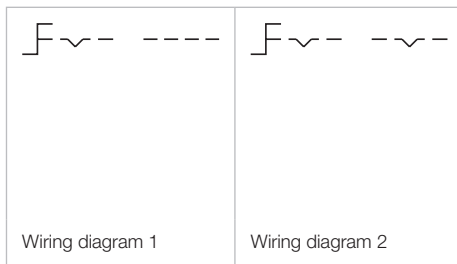


Switching positions (A = Rest, B = Momentary, C = Maintained)

| Lever | Front ring | Front bezel | Switching action | Switching angle | Part No. | Wiring diagram | Weight |
|---|------------|----------------|------------------|-----------------|---------------------|----------------|----------|
|  <p>Selector switch actuator illuminated, 2 positions, long lever, Front dimension 35 x 35 mm</p> | | | | | | | |
| Plastic black | | Plastic black | A - B | B = 42° | 704.302.0001 | 1 | 0.056 kg |
| | | Plastic silver | A - B | B = 42° | 704.302.0081 | 1 | 0.056 kg |
| | | Plastic black | A - C | C = 90° | 704.300.0001 | 2 | 0.056 kg |
| | | Plastic silver | A - C | C = 90° | 704.300.0081 | 2 | 0.056 kg |

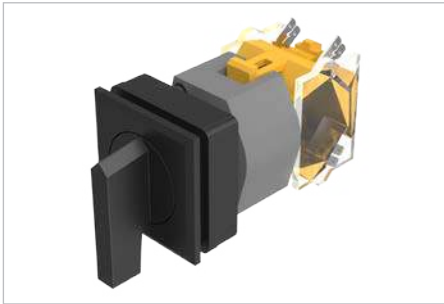
| Lever | Front ring | Front bezel | Switching action | Switching angle | Part No. | Wiring diagram | Weight |
|--|----------------------------|-------------|------------------|-----------------|---------------------|----------------|----------|
|  <p>Selector switch actuator illuminated, 2 positions, long lever, Front dimension Ø 35 mm</p> | | | | | | | |
| Plastic black | Aluminium natural anodized | | A - B | B = 42° | 704.103.018I | 1 | 0.056 kg |
| | Aluminium black anodized | | A - C | C = 90° | 704.101.010I | 2 | 0.056 kg |
| | Aluminium natural anodized | | A - C | C = 90° | 704.101.018I | 2 | 0.056 kg |

Switching action : A = Rest, B = Momentary, C = Maintain

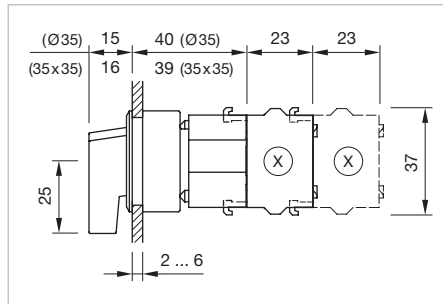


04 Flush design

Selector switch 2 positions long lever, IP65



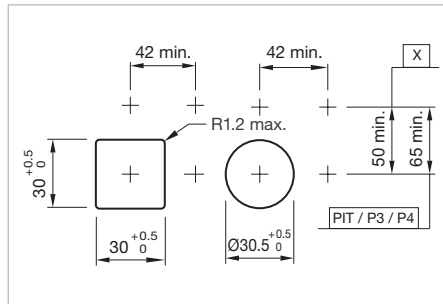
Product can differ from the current configuration.



Dimensions [mm]
 X = Screw terminal

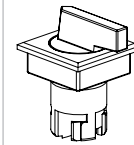
Additional Information

- Other terminal options from the part switching element see «Accessories»
- The colour of anodized aluminium parts can vary due to technical production reasons
- Max. 3 switching elements can be clipped on

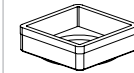


Mounting cut-outs [mm]
 PIT = Push-in terminal,
 P3 = Plug-in terminal 6.3 x 0.8 mm,
 P4 = Double plug-in terminal 6.3 x 0.8 mm,
 X = Screw terminal

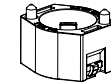
Equipment consisting of (schematic overview)



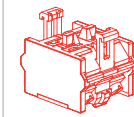
Actuator



Press frame



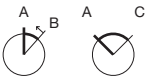
Bayonet flange




Switching element [page 138](#)


Each Part Number listed below includes all the black components shown in the 3D-drawing.

To obtain a complete unit, please select the red components from the pages shown.

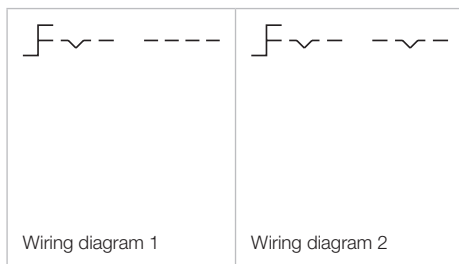


Switching positions (A = Rest, B = Momentary, C = Maintained)

| Lever | Front ring | Front bezel | Switching action | Switching angle | Part No. | Wiring diagram | Weight |
|--|------------|----------------|------------------|-----------------|--------------------|----------------|----------|
|  <p>Selector switch actuator 2 positions, long lever, Front dimension 35 x 35 mm</p> | | | | | | | |
| Plastic black | | Plastic black | A - B | B = 42° | 704.302.000 | 1 | 0.056 kg |
| | | Plastic silver | A - B | B = 42° | 704.302.008 | 1 | 0.056 kg |
| | | Plastic black | A - C | C = 90° | 704.300.000 | 2 | 0.056 kg |
| | | Plastic silver | A - C | C = 90° | 704.300.008 | 2 | 0.056 kg |

| Lever | Front ring | Front bezel | Switching action | Switching angle | Part No. | Wiring diagram | Weight |
|---|----------------------------|-------------|------------------|-----------------|--------------------|----------------|----------|
|  <p>Selector switch actuator 2 positions, long lever, Front dimension Ø 35 mm</p> | | | | | | | |
| Plastic black | Aluminium natural anodized | | A - B | B = 42° | 704.103.018 | 1 | 0.056 kg |
| | Aluminium black anodized | | A - C | C = 90° | 704.101.010 | 2 | 0.056 kg |
| | Aluminium natural anodized | | A - C | C = 90° | 704.101.018 | 2 | 0.056 kg |

Switching action : A = Rest, B = Momentary, C = Maintain

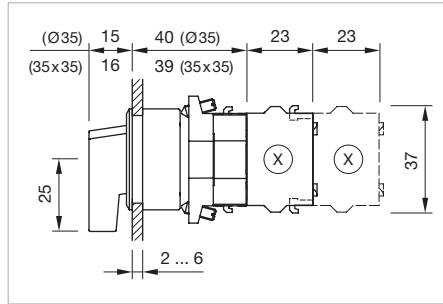


04 Flush design

Selector switch 2 positions 12 o'clock long lever, IP65



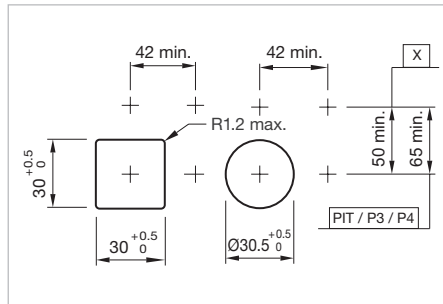
Product can differ from the current configuration.



Dimensions [mm]
X = Screw terminal

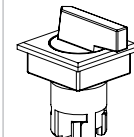
Additional Information

- Other terminal options from the part switching element see «Accessories»
- The colour of anodized aluminium parts can vary due to technical production reasons
- Max. 3 switching elements can be clipped on

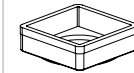


Mounting cut-outs [mm]
PIT = Push-in terminal,
P3 = Plug-in terminal 6.3 x 0.8 mm,
P4 = Double plug-in terminal 6.3 x 0.8 mm,
X = Screw terminal

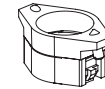
Equipment consisting of (schematic overview)



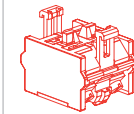
Actuator



Press frame



Bayonet flange



Switching element


page 138


Each Part Number listed below includes all the black components shown in the 3D-drawing.

To obtain a complete unit, please select the red components from the pages shown.

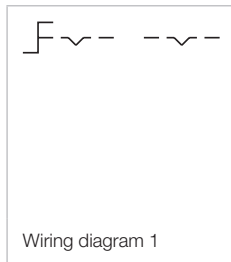


Switching positions (A = Rest, B = Momentary, C = Maintained)

| Lever | Front ring | Front bezel | Switching action | Switching angle | Part No. | Wiring diagram | Weight |
|---|------------|----------------|------------------|-----------------|-----------------------|----------------|----------|
|  <p>Selector switch actuator 2 positions 12 o'clock, long lever, Front dimension 35 x 35 mm</p> | | Plastic black | A - C | C = 90° | 704.300.000.12 | 1 | 0.056 kg |
| | | Plastic silver | A - C | C = 90° | 704.300.008.12 | 1 | 0.056 kg |

| Lever | Front ring | Front bezel | Switching action | Switching angle | Part No. | Wiring diagram | Weight |
|--|----------------------------|-------------|------------------|-----------------|-----------------------|----------------|----------|
|  <p>Selector switch actuator 2 positions 12 o'clock, long lever, Front dimension Ø 35 mm</p> | | | | | | | |
| Plastic black | Aluminium black anodized | | A - C | C = 90° | 704.101.010.12 | 1 | 0.056 kg |
| | Aluminium natural anodized | | A - C | C = 90° | 704.101.018.12 | 1 | 0.056 kg |

Switching action : A = Rest, C = Maintain

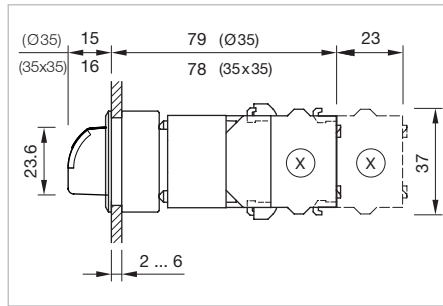


04 Flush design

Selector switch illuminated, 3 positions, short lever, IP65



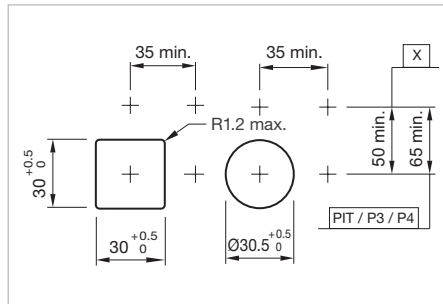
Product can differ from the current configuration.



Dimensions [mm]
X = Screw terminal

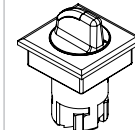
Additional Information

- Other terminal options from the part switching element see «Accessories»
- The colour of anodized aluminium parts can vary due to technical production reasons
- Max. 3 switching elements can be clipped on

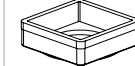


Mounting cut-outs [mm]
PIT = Push-in terminal,
P3 = Plug-in terminal 6.3 x 0.8 mm,
P4 = Double plug-in terminal 6.3 x 0.8 mm,
X = Screw terminal

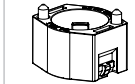
Equipment consisting of (schematic overview)



Actuator



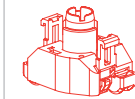
Press frame



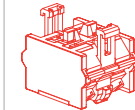
Bayonet flange



LED [page 150](#)



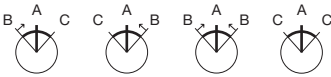
Lamp block [page 135](#)




Switching element [page 138](#)


Each Part Number listed below includes all the black components shown in the 3D-drawing.

To obtain a complete unit, please select the red components from the pages shown.

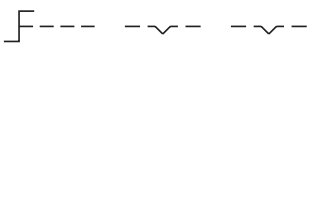
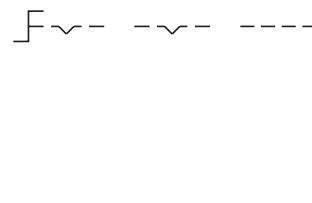
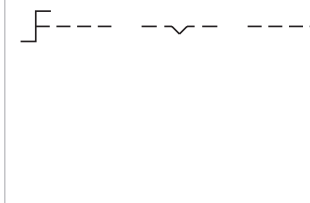
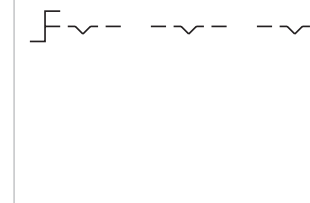


Switching positions (A = Rest, B = Momentary, C = Maintained)

| Lever | Front ring | Front bezel | Switching action | Switching angle | Part No. | Wiring diagram | Weight |
|--|------------|----------------|------------------|------------------|---------------------|----------------|----------|
|  Selector switch actuator illuminated, 3 positions, short lever, Front dimension Ø 35 mm | | | | | | | |
| Plastic black | | Plastic black | B - A - C | B = 42°, C = 42° | 704.508.000I | 1 | 0.056 kg |
| | | Plastic silver | B - A - C | B = 42°, C = 42° | 704.508.008I | 1 | 0.056 kg |
| | | Plastic black | C - A - B | C = 42°, B = 42° | 704.506.000I | 2 | 0.056 kg |
| | | Plastic silver | C - A - B | C = 42°, B = 42° | 704.506.008I | 2 | 0.056 kg |
| | | Plastic black | B - A - B | B = 42° / 42° | 704.504.000I | 3 | 0.056 kg |
| | | Plastic silver | B - A - B | B = 42° / 42° | 704.504.008I | 3 | 0.056 kg |
| | | Plastic black | C - A - C | C = 42° / 42° | 704.502.000I | 4 | 0.056 kg |
| | | Plastic silver | C - A - C | C = 42° / 42° | 704.502.008I | 4 | 0.056 kg |

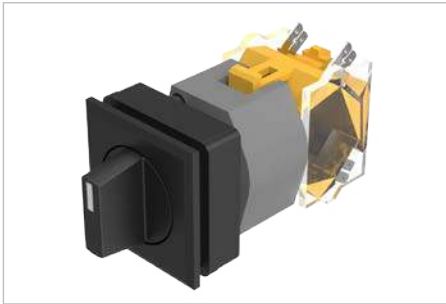
| Lever | Front ring | Front bezel | Switching action | Switching angle | Part No. | Wiring diagram | Weight |
|---|----------------------------|-------------|------------------|------------------|---------------------|----------------|----------|
|  <p>Selector switch actuator illuminated, 3 positions, short lever, Front dimension Ø 35 mm</p> | | | | | | | |
| Plastic black | Aluminium black anodized | | B - A - C | B = 42°, C = 42° | 704.409.010I | 1 | 0.056 kg |
| | Aluminium natural anodized | | B - A - C | B = 42°, C = 42° | 704.409.018I | 1 | 0.056 kg |
| | Aluminium black anodized | | C - A - B | C = 42°, B = 42° | 704.407.010I | 2 | 0.056 kg |
| | Aluminium natural anodized | | C - A - B | C = 42°, B = 42° | 704.407.018I | 2 | 0.056 kg |
| | Aluminium black anodized | | B - A - B | B = 42° / 42° | 704.405.010I | 3 | 0.056 kg |
| | Aluminium natural anodized | | B - A - B | B = 42° / 42° | 704.405.018I | 3 | 0.056 kg |
| | Aluminium black anodized | | C - A - C | C = 42° / 42° | 704.403.010I | 4 | 0.056 kg |
| | Aluminium natural anodized | | C - A - C | C = 42° / 42° | 704.403.018I | 4 | 0.056 kg |

Switching action : A = Rest, B = Momentary, C = Maintain

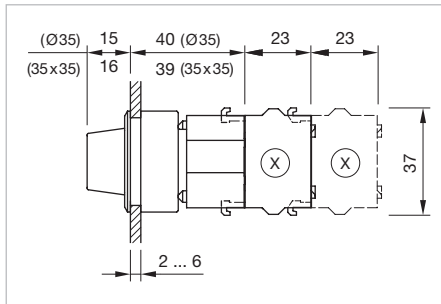
| | | | |
|--|--|---|--|
|  |  |  |  |
| Wiring diagram 1 | Wiring diagram 2 | Wiring diagram 3 | Wiring diagram 4 |

04 Flush design

Selector switch 3 positions short lever, IP65



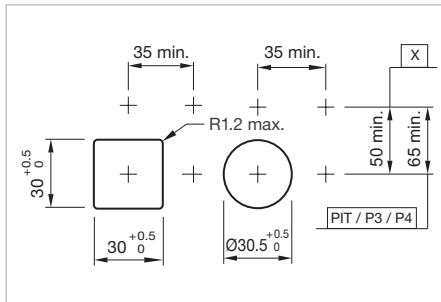
Product can differ from the current configuration.



Dimensions [mm]
X = Screw terminal

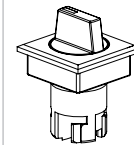
Additional Information

- Other terminal options from the part switching element see «Accessories»
- The colour of anodized aluminium parts can vary due to technical production reasons
- Max. 3 switching elements can be clipped on

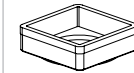


Mounting cut-outs [mm]
PIT = Push-in terminal,
P3 = Plug-in terminal 6.3 x 0.8 mm,
P4 = Double plug-in terminal 6.3 x 0.8 mm,
X = Screw terminal

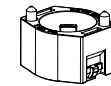
Equipment consisting of (schematic overview)



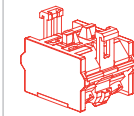
Actuator



Press frame



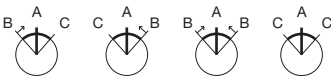
Bayonet flange




Switching element [page 138](#)


Each Part Number listed below includes all the black components shown in the 3D-drawing.

To obtain a complete unit, please select the red components from the pages shown.







Switching positions (A = Rest, B = Momentary, C = Maintained)

| Lever | Front ring | Front bezel | Switching action | Switching angle | Part No. | Wiring diagram | Weight |
|--|------------|----------------|------------------|------------------|--------------------|----------------|----------|
|  Selector switch actuator 3 positions, short lever, Front dimension 35 x 35 mm | | | | | | | |
| Plastic black | | Plastic black | B - A - C | B = 42°, C = 42° | 704.508.000 | 1 | 0.056 kg |
| | | Plastic silver | B - A - C | B = 42°, C = 42° | 704.508.008 | 1 | 0.056 kg |
| | | Plastic black | C - A - B | C = 42°, B = 42° | 704.506.000 | 2 | 0.056 kg |
| | | Plastic silver | C - A - B | C = 42°, B = 42° | 704.506.008 | 2 | 0.056 kg |
| | | Plastic black | B - A - B | B = 42° / 42° | 704.504.000 | 3 | 0.056 kg |
| | | Plastic silver | B - A - B | B = 42° / 42° | 704.504.008 | 3 | 0.056 kg |
| | | Plastic black | C - A - C | C = 42° / 42° | 704.502.000 | 4 | 0.056 kg |
| | | Plastic silver | C - A - C | C = 42° / 42° | 704.502.008 | 4 | 0.056 kg |

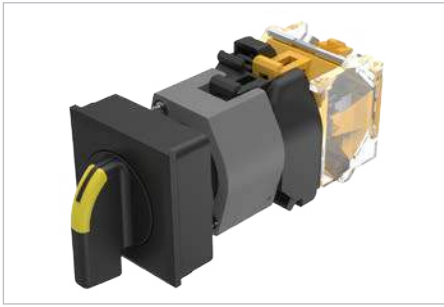
| Lever | Front ring | Front bezel | Switching action | Switching angle | Part No. | Wiring diagram | Weight |
|--|----------------------------|-------------|------------------|------------------|--------------------|----------------|----------|
|  <p>Selector switch actuator 3 positions, short lever, Front dimension Ø 35 mm</p> | | | | | | | |
| Plastic black | Aluminium black anodized | | B - A - C | B = 42°, C = 42° | 704.409.010 | 1 | 0.056 kg |
| | Aluminium natural anodized | | B - A - C | B = 42°, C = 42° | 704.409.018 | 1 | 0.056 kg |
| | Aluminium black anodized | | C - A - B | C = 42°, B = 42° | 704.407.010 | 2 | 0.056 kg |
| | Aluminium natural anodized | | C - A - B | C = 42°, B = 42° | 704.407.018 | 2 | 0.056 kg |
| | Aluminium black anodized | | B - A - B | B = 42° / 42° | 704.405.010 | 3 | 0.056 kg |
| | Aluminium natural anodized | | B - A - B | B = 42° / 42° | 704.405.018 | 3 | 0.056 kg |
| | Aluminium black anodized | | C - A - C | C = 42° / 42° | 704.403.010 | 4 | 0.056 kg |
| | Aluminium natural anodized | | C - A - C | C = 42° / 42° | 704.403.018 | 4 | 0.056 kg |

Switching action : A = Rest, B = Momentary, C = Maintain

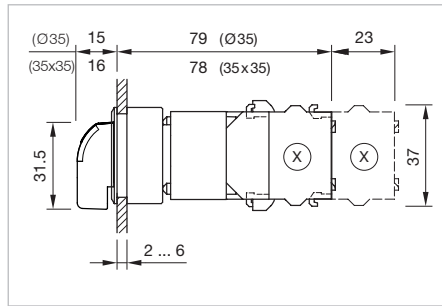
| | | | |
|---|---|--|---|
|  |  |  |  |
| Wiring diagram 1 | Wiring diagram 2 | Wiring diagram 3 | Wiring diagram 4 |

04 Flush design

Selector switch illuminated, 3 positions, long lever, IP65



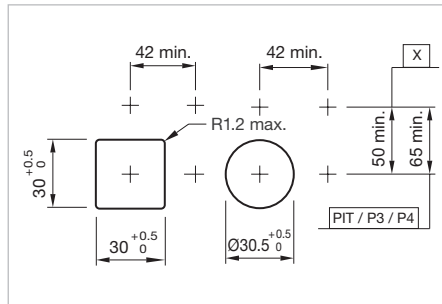
Product can differ from the current configuration.



Dimensions [mm]
X = Screw terminal

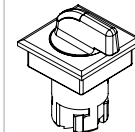
Additional Information

- Other terminal options from the part switching element see «Accessories»
- The colour of anodized aluminium parts can vary due to technical production reasons
- Max. 3 switching elements can be clipped on

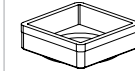


Mounting cut-outs [mm]
PIT = Push-in terminal,
P3 = Plug-in terminal 6.3 x 0.8 mm,
P4 = Double plug-in terminal 6.3 x 0.8 mm,
X = Screw terminal

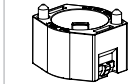
Equipment consisting of (schematic overview)



Actuator



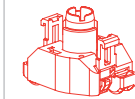
Press frame



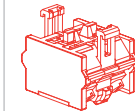
Bayonet flange



LED [page 150](#)



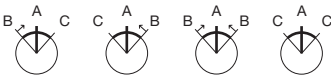
Lamp block [page 135](#)




Switching element [page 138](#)


Each Part Number listed below includes all the black components shown in the 3D-drawing.

To obtain a complete unit, please select the red components from the pages shown.







Switching positions (A = Rest, B = Momentary, C = Maintained)

| Lever | Front ring | Front bezel | Switching action | Switching angle | Part No. | Wiring diagram | Weight | |
|---|--|-------------|------------------|-----------------|---------------------|---------------------|----------|----------|
|  | Selector switch actuator illuminated, 3 positions, long lever, Front dimension 35 x 35 mm | | | | | | | |
| | Plastic black | | Plastic black | B - A - C | B = 42°, C = 42° | 704.298.000I | 1 | 0.056 kg |
| | | | Plastic silver | B - A - C | B = 42°, C = 42° | 704.298.008I | 1 | 0.056 kg |
| | | | Plastic black | C - A - B | C = 42°, B = 42° | 704.296.000I | 2 | 0.056 kg |
| | | | Plastic silver | C - A - B | C = 42°, B = 42° | 704.296.008I | 2 | 0.056 kg |
| | | | Plastic black | B - A - B | B = 42° / 42° | 704.294.000I | 3 | 0.056 kg |
| | | | Plastic silver | B - A - B | B = 42° / 42° | 704.294.008I | 3 | 0.056 kg |
| | | | Plastic black | C - A - C | C = 42° / 42° | 704.292.000I | 4 | 0.056 kg |
| Plastic silver | | | C - A - C | C = 42° / 42° | 704.292.008I | 4 | 0.056 kg | |

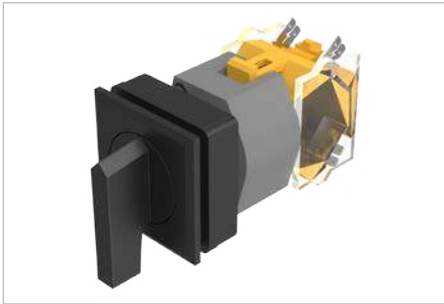
| Lever | Front ring | Front bezel | Switching action | Switching angle | Part No. | Wiring diagram | Weight |
|--|----------------------------|-------------|------------------|------------------|---------------------|----------------|----------|
|  <p>Selector switch actuator illuminated, 3 positions, long lever, Front dimension Ø 35 mm</p> | | | | | | | |
| Plastic black | Aluminium black anodized | | B - A - C | B = 42°, C = 42° | 704.099.010I | 1 | 0.056 kg |
| | Aluminium natural anodized | | B - A - C | B = 42°, C = 42° | 704.099.018I | 1 | 0.056 kg |
| | Aluminium black anodized | | C - A - B | C = 42°, B = 42° | 704.097.010I | 2 | 0.056 kg |
| | Aluminium natural anodized | | C - A - B | C = 42°, B = 42° | 704.097.018I | 2 | 0.056 kg |
| | Aluminium black anodized | | B - A - B | B = 42° / 42° | 704.095.010I | 3 | 0.056 kg |
| | Aluminium natural anodized | | B - A - B | B = 42° / 42° | 704.095.018I | 3 | 0.056 kg |
| | Aluminium black anodized | | C - A - C | C = 42° / 42° | 704.093.010I | 4 | 0.056 kg |
| | Aluminium natural anodized | | C - A - C | C = 42° / 42° | 704.093.018I | 4 | 0.056 kg |

Switching action : A = Rest, B = Momentary, C = Maintain

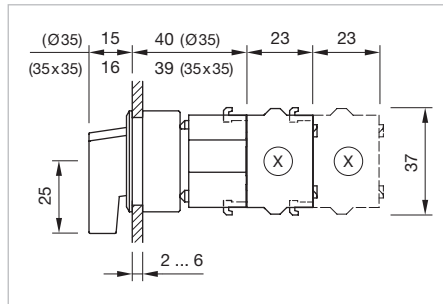
| | | | |
|---|---|--|---|
|  |  |  |  |
| Wiring diagram 1 | Wiring diagram 2 | Wiring diagram 3 | Wiring diagram 4 |

04 Flush design

Selector switch 3 positions long lever, IP65



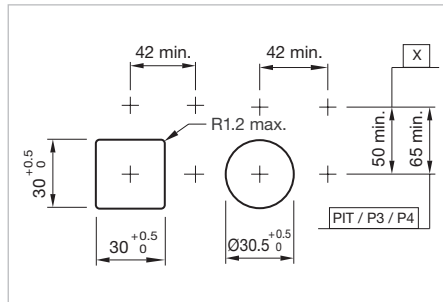
Product can differ from the current configuration.



Dimensions [mm]
X = Screw terminal

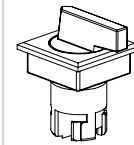
Additional Information

- Other terminal options from the part switching element see «Accessories»
- The colour of anodized aluminium parts can vary due to technical production reasons
- Max. 3 switching elements can be clipped on

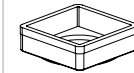


Mounting cut-outs [mm]
PIT = Push-in terminal,
P3 = Plug-in terminal 6.3 x 0.8 mm,
P4 = Double plug-in terminal 6.3 x 0.8 mm,
X = Screw terminal

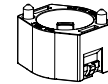
Equipment consisting of (schematic overview)



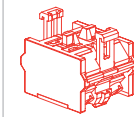
Actuator



Press frame



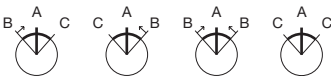
Bayonet flange




Switching element [page 138](#)


Each Part Number listed below includes all the black components shown in the 3D-drawing.

To obtain a complete unit, please select the red components from the pages shown.







Switching positions (A = Rest, B = Momentary, C = Maintained)

| Lever | Front ring | Front bezel | Switching action | Switching angle | Part No. | Wiring diagram | Weight |
|--|------------|----------------|------------------|------------------|--------------------|----------------|----------|
|  <p>Selector switch actuator 3 positions, long lever, Front dimension 35 x 35 mm</p> | | | | | | | |
| Plastic black | | Plastic black | B - A - C | B = 42°, C = 42° | 704.298.000 | 1 | 0.056 kg |
| | | Plastic silver | B - A - C | B = 42°, C = 42° | 704.298.008 | 1 | 0.056 kg |
| | | Plastic black | C - A - B | C = 42°, B = 42° | 704.296.000 | 2 | 0.056 kg |
| | | Plastic silver | C - A - B | C = 42°, B = 42° | 704.296.008 | 2 | 0.056 kg |
| | | Plastic black | B - A - B | B = 42° / 42° | 704.294.000 | 3 | 0.056 kg |
| | | Plastic silver | B - A - B | B = 42° / 42° | 704.294.008 | 3 | 0.056 kg |
| | | Plastic black | C - A - C | C = 42° / 42° | 704.292.000 | 4 | 0.056 kg |
| | | Plastic silver | C - A - C | C = 42° / 42° | 704.292.008 | 4 | 0.056 kg |

| Lever | Front ring | Front bezel | Switching action | Switching angle | Part No. | Wiring diagram | Weight |
|---|----------------------------|-------------|------------------|------------------|--------------------|----------------|----------|
|  <p>Selector switch actuator 3 positions, long lever, Front dimension Ø 35 mm</p> | | | | | | | |
| Plastic black | Aluminium black anodized | | B - A - C | B = 42°, C = 42° | 704.099.010 | 1 | 0.056 kg |
| | Aluminium natural anodized | | B - A - C | B = 42°, C = 42° | 704.099.018 | 1 | 0.056 kg |
| | Aluminium black anodized | | C - A - B | C = 42°, B = 42° | 704.097.010 | 2 | 0.056 kg |
| | Aluminium natural anodized | | C - A - B | C = 42°, B = 42° | 704.097.018 | 2 | 0.056 kg |
| | Aluminium black anodized | | B - A - B | B = 42° / 42° | 704.095.010 | 3 | 0.056 kg |
| | Aluminium natural anodized | | B - A - B | B = 42° / 42° | 704.095.018 | 3 | 0.056 kg |
| | Aluminium black anodized | | C - A - C | C = 42° / 42° | 704.093.010 | 4 | 0.056 kg |
| | Aluminium natural anodized | | C - A - C | C = 42° / 42° | 704.093.018 | 4 | 0.056 kg |

Switching action : A = Rest, B = Momentary, C = Maintain

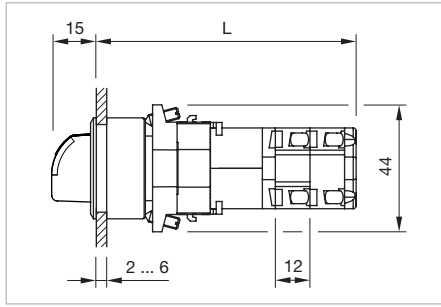
| | | | |
|---|---|--|---|
|  |  |  |  |
| Wiring diagram 1 | Wiring diagram 2 | Wiring diagram 3 | Wiring diagram 4 |

04 Flush design

Selector rotary switch short lever rounded, IP65



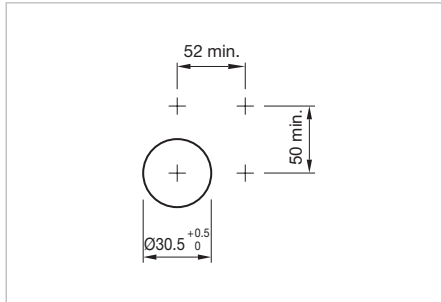
Product can differ from the current configuration.



Dimensions [mm]
 $L = (\text{Number of stages} \times 12) + 66.5 \text{ mm}$

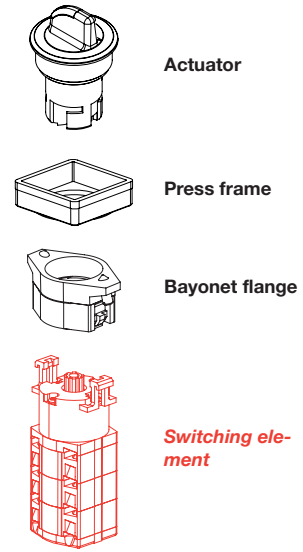
Additional Information

- The colour of anodized aluminium parts can vary due to technical production reasons
- In combination with the switching elements K&N, the selector switch can not be illuminated





Mounting cut-outs [mm]

Equipment consisting of (schematic overview)



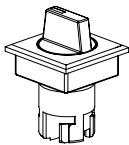
Each Part Number listed below includes all the black components shown in the 3D-drawing.

To obtain a complete unit, please select the red components from the pages shown.

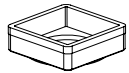
| Lever | Front ring | Switching positions | Part No. | Weight |
|---|----------------------------|---------------------|-----------------------|----------|
|  <p>Selector rotary switch actuator, short lever rounded, Front dimension Ø 35 mm</p> | | | | |
| Plastic black | Aluminium black anodized | Rest = 12 o'clock | 704.411.010KNI | 0.056 kg |
|  <p>Selector rotary switch actuator, short lever rounded, Front dimension Ø 35 mm</p> | | | | |
| Plastic black | Aluminium natural anodized | Rest = 9 o'clock | 704.411.118KNI | 0.056 kg |
| | | Rest = 12 o'clock | 704.411.018KNI | 0.056 kg |

Selector rotary switch short lever, IP65

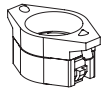
Equipment consisting of (schematic overview)



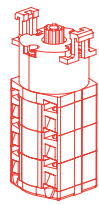
Actuator



Press frame



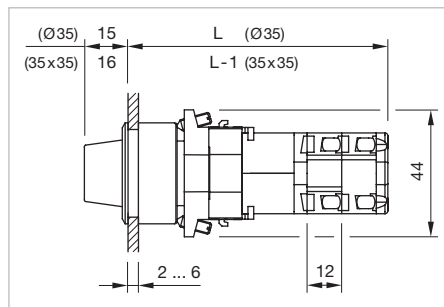
Bayonet flange



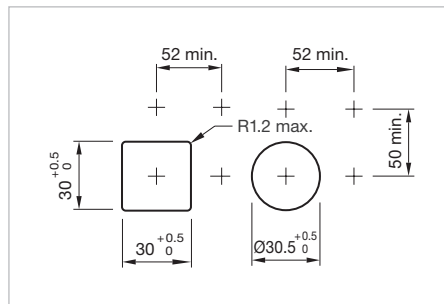
Switching element *page 143*

Each Part Number listed below includes all the black components shown in the 3D-drawing.

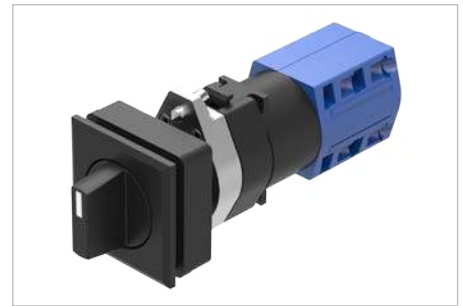
To obtain a complete unit, please select the red components from the pages shown.



Dimensions [mm]
L = (Anzahl Fluchten x 12) + 66.5 mm



Mounting cut-outs [mm]



Product can differ from the current configuration.

Additional Information

- The colour of anodized aluminium parts can vary due to technical production reasons

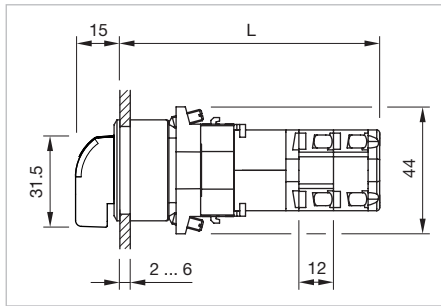
| Lever | Front ring | Front bezel | Switching positions | Part No. | Weight |
|---------------|---|----------------|---------------------|----------------------|----------|
| | Selector rotary switch actuator, short lever, Front dimension 35 x 35 mm | | | | |
| Plastic black | | Plastic black | Rest = 9 o'clock | 704.510.100KN | 0.056 kg |
| | | Plastic silver | Rest = 9 o'clock | 704.510.108KN | 0.056 kg |
| | Selector rotary switch actuator, short lever, Front dimension Ø 35 mm | | | | |
| Plastic black | Aluminium black anodized | | Rest = 9 o'clock | 704.411.110KN | 0.056 kg |
| | Aluminium natural anodized | | Rest = 9 o'clock | 704.411.118KN | 0.056 kg |
| | Aluminium black anodized | | Rest = 12 o'clock | 704.411.010KN | 0.056 kg |
| | Aluminium natural anodized | | Rest = 12 o'clock | 704.411.018KN | 0.056 kg |

04 Flush design

Selector rotary switch long lever rounded, IP65



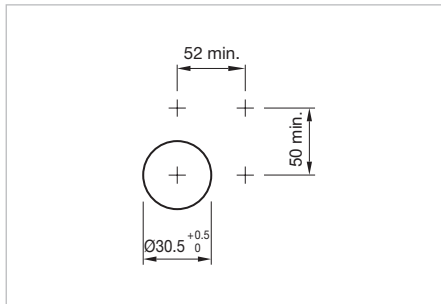
Product can differ from the current configuration.



Dimensions [mm]
 $L = (\text{Number of stages} \times 12) + 66.5 \text{ mm}$

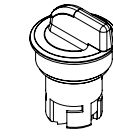
Additional Information

- The colour of anodized aluminium parts can vary due to technical production reasons
- In combination with the switching elements K&N, the selector switch can not be illuminated

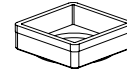


Mounting cut-outs [mm]

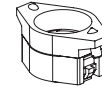
Equipment consisting of (schematic overview)



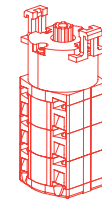
Actuator



Press frame



Bayonet flange





Switching element

page 143

Each Part Number listed below includes all the black components shown in the 3D-drawing.

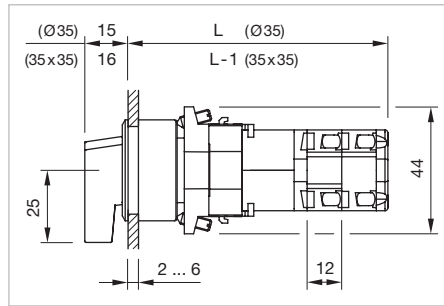
To obtain a complete unit, please select the red components from the pages shown.

| Lever | Front ring | Switching positions | Part No. | Weight |
|--|----------------------------|---------------------|-----------------------|----------|
|  <p>Rotary selector switch actuator, long lever rounded, Front dimension Ø 35 mm</p> | | | | |
| Plastic black | Aluminium black anodized | Rest = 9 o'clock | 704.101.110KNI | 0.056 kg |
|  <p>Rotary selector switch actuator, long lever rounded, Front dimension Ø 35 mm</p> | | | | |
| Plastic black | Aluminium natural anodized | Rest = 9 o'clock | 704.101.118KNI | 0.056 kg |
| | | Rest = 12 o'clock | 704.101.018KNI | 0.056 kg |

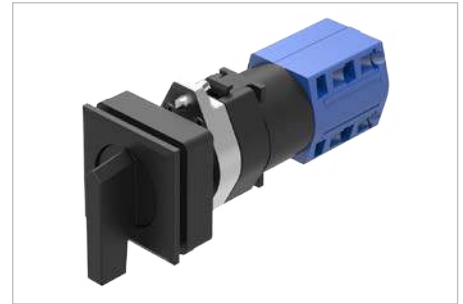
Selector rotary switch long lever, IP65

Equipment consisting of (schematic overview)

- Actuator
- Press frame
- Bayonet flange
- Switching element *page 143*



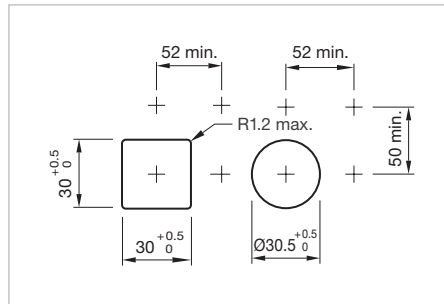
Dimensions [mm]
 $L = (\text{Anzahl Fluchten} \times 12) + 66.5 \text{ mm}$



Product can differ from the current configuration.

Additional Information

- The colour of anodized aluminium parts can vary due to technical production reasons



Mounting cut-outs [mm]

Each Part Number listed below includes all the black components shown in the 3D-drawing.

To obtain a complete unit, please select the red components from the pages shown.

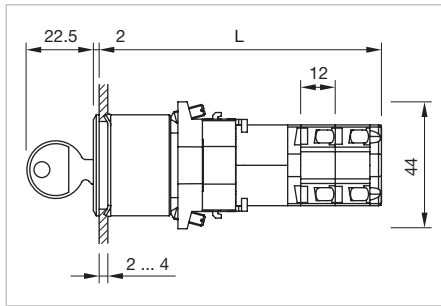
| Lever | Front ring | Front bezel | Switching positions | Part No. | Weight |
|--|----------------------------|----------------|---------------------|----------------------|----------|
| | | | | | |
| Rotary selector switch actuator, long lever, Front dimension 35 x 35 mm | | | | | |
| Plastic black | | Plastic black | Rest = 9 o'clock | 704.300.100KN | 0.056 kg |
| | | Plastic silver | Rest = 9 o'clock | 704.300.108KN | 0.056 kg |
| | | | | | |
| Rotary selector switch actuator, long lever, Front dimension Ø 35 mm | | | | | |
| Plastic black | Aluminium black anodized | | Rest = 9 o'clock | 704.101.110KN | 0.056 kg |
| | Aluminium natural anodized | | Rest = 9 o'clock | 704.101.118KN | 0.056 kg |
| | Aluminium natural anodized | | Rest = 12 o'clock | 704.101.018KN | 0.056 kg |

04 Flush design

Keylock rotary switch, IP65



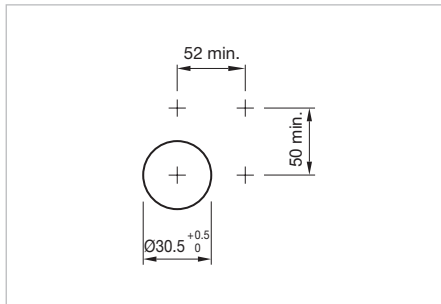
Product can differ from the current configuration.



Dimensions [mm]
 $L = (\text{Anzahl Fluchten} \times 12) + 66.5 \text{ mm}$

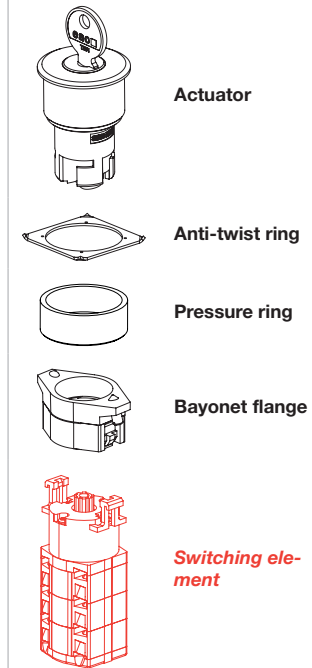
Additional Information

- Locknumbers 251, lock type Ronis
- Two keys are supplied with each key lock switch
- Further lock numbers see «Technical data»
- The colour of anodized aluminium parts can vary due to technical production reasons




Mounting cut-outs [mm]

Equipment consisting of (schematic overview)



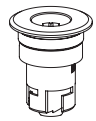
Each Part Number listed below includes all the black components shown in the 3D-drawing.

To obtain a complete unit, please select the red components from the pages shown.

| Front ring | Switching action | Switching positions | Key remove | Part No. | Weight |
|---|----------------------------|---------------------|-------------------|------------|------------------------------|
|  <p>Keylock rotary switch actuator, Front dimension Ø 35 mm</p> | Aluminium natural anodized | Rest | Rest = 12 o'clock | 12 o'clock | 704.123.018KN 0.12 kg |
| | | Rest | Rest = 9 o'clock | 9 o'clock | 704.123.118KN 0.12 kg |

Key-insert switch 2 positions, IP65, IP67

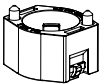
Equipment consisting of (schematic overview)



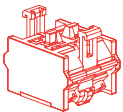
Actuator



Fixing nut



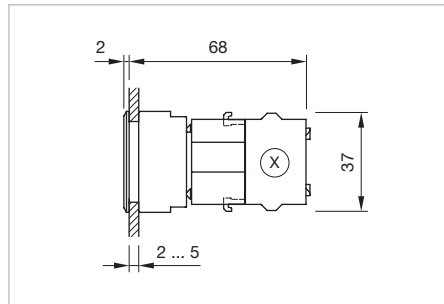
Bayonet flange



Switching element *page 138*

Each Part Number listed below includes all the black components shown in the 3D-drawing.

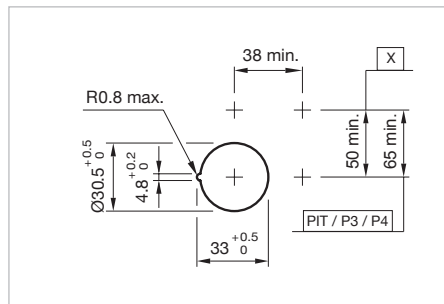
To obtain a complete unit, please select the red components from the pages shown.



Dimensions [mm]
X = Screw terminal




Product can differ from the current configuration.



Mounting cut-outs [mm]
PIT = Push-in terminal,
P3 = Plug-in terminal 6.3 x 0.8 mm,
P4 = Double plug-in terminal 6.3 x 0.8 mm,
X = Screw terminal

Additional Information

- Other terminal options from the part switching element see «Accessories»
- In the Part-No. «x» stands for not defined actuator
- Max. 3 switching element can be clipped on
- The actuator of the key insert switch is being produced according to customer specification. Please contact your local EAO Sales Office

| Front ring | Switching action | Switching angle | Part No. | Weight |
|---|------------------|-----------------|---------------------|----------|
|  <p>Key-insert switch actuator 2 positions, Front dimension Ø 38 mm</p> | A - C | C = 90° | 704.101.0x28 | 0.130 kg |
| | A - B | B = 45° | 704.103.0x28 | 0.130 kg |

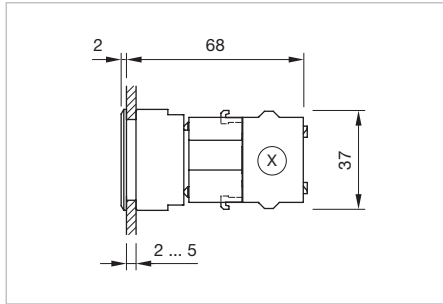
Switching action : A = Rest, B = Momentary, C = Maintain

04 Flush design

Key-insert switch 3 positions, IP65, IP67



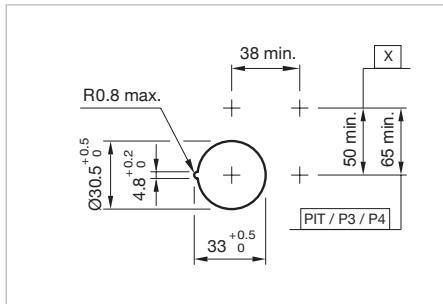
Product can differ from the current configuration.



Dimensions [mm]
X = Screw terminal

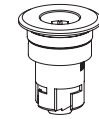
Additional Information

- Other terminal options from the part switching element see «Accessories»
- In the Part-No. «x» stands for not defined actuator
- Max. 3 switching element can be clipped on
- The actuator of the key insert switch is being produced according to customer specification. Please contact your local EAO Sales Office

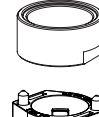


Mounting cut-outs [mm]
PIT = Push-in terminal,
P3 = Plug-in terminal 6.3 x 0.8 mm,
P4 = Double plug-in terminal 6.3 x 0.8 mm,
X = Screw terminal

Equipment consisting of (schematic overview)



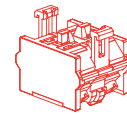
Actuator



Fixing nut



Bayonet flange




Switching element

page 138

Each Part Number listed below includes all the black components shown in the 3D-drawing.

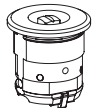
To obtain a complete unit, please select the red components from the pages shown.

| Front ring | Switching action | Switching angle | Part No. | Weight |
|---|------------------|------------------|---------------------|----------|
|  <p>Key-insert switch actuator 3 positions, Front dimension Ø 38 mm</p> | C - A - C | C = 45° / 45° | 704.093.0x28 | 0.130 kg |
| | B - A - B | B = 45° / 45° | 704.095.0x28 | 0.130 kg |
| | C - A - B | C = 45°, B = 45° | 704.097.0x28 | 0.130 kg |
| | B - A - C | B = 45°, C = 45° | 704.099.0x28 | 0.130 kg |

Switching action : A = Rest, B = Momentary, C = Maintain

Key-insert switch 3 positions conductor switch, IP65, IP67

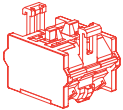
Equipment consisting of (schematic overview)



Actuator

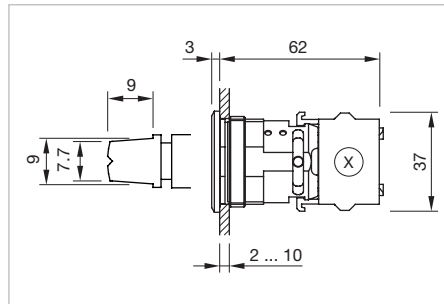


Fixing nut



Switching element

page 138



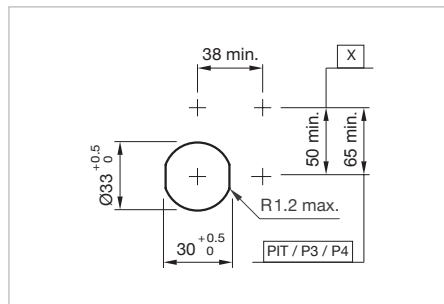
Dimensions [mm]
X = Screw terminal



Product can differ from the current configuration.

Each Part Number listed below includes all the black components shown in the 3D-drawing.


To obtain a complete unit, please select the red components from the pages shown.



Mounting cut-outs [mm]
PIT = Push-in terminal,
P3 = Plug-in terminal 6.3 x 0.8 mm,
P4 = Double plug-in terminal 6.3 x 0.8 mm,
X = Screw terminal

Additional Information

- Other terminal options from the part switching element see «Accessories»
- Max. 1 switching element can be clipped on
- The actuator of the key insert switch is being produced according to customer specification. Please contact your local EAO Sales Office
- Torque clockwise min. 17 Ncm
- Torque anti-clockwise min. 35 Ncm

| Product attribute | Front ring | Switching action | Switching angle | Part No. | Weight |
|---|-------------------------|------------------|-----------------|--------------|----------|
|  | | | | | |
| Key-insert switch actuator 3 positions conductor switch, Front dimension Ø 38 mm | | | | | |
| RIC-key 9x9 mm, EN 14752 | Stainless-steel natural | B - A - B | B = 45° / 45° | 704.095.0T28 | 0.190 kg |

Switching action: A = Rest, B = Momentary

04 Flush design

Lever switch, IP 54



Product can differ from the current configuration.

Additional Information

- For all units are the levers 02 (black), 03, 04, 05, 06 (yellow) 13, 14, 15 and 16 available (levers 6 + 16 according UIC 612). Special levers on request
- Front bezel can also be delivered in black version
- The colour of anodized aluminium parts can vary due to technical production reasons
- Functions and properties, including lever style and switching positions of the lever switch are being produced according to customer specifications. Please contact your local EAO Sales Office

S41: Cage clamp 1.0 ... 1.5 mm²

S42: JST connector max. 0.2 mm² (counter plug is supplied)

S43: Plug-in terminal 6.3 x 0.8 mm

S44: Cage clamp 1.0 ... 1.5 mm²


S45: Screw terminal or plug-in terminal 6.3 x 0.8 mm

Micro-switch contacts

The micro-switch is available with a silver contact or a gold plated silver contact.

Contact without positive opening operation is used in the lever switches S41, S42 and S43. Each lever switch includes a maximum of five micro-switches.

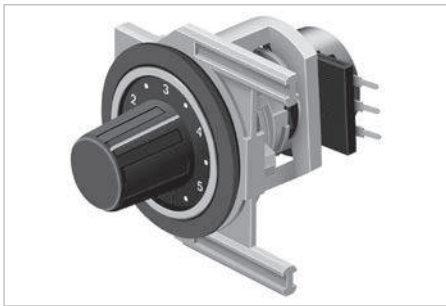
Contact with positive opening operation is used in the lever switches S44 and S45. Each lever switch includes a maximum of four micro-switches.

| Product attribute | Lever | Front ring | Switching system | Contacts | Switching action | Part No. | Weight |
|--|---------------|----------------------------|-------------------------------|-------------|------------------|--------------------|---------|
|  Lever switch, Front dimension Ø 40 mm | | | | | | | |
| Type S41, 1 contact element | Plastic black | Aluminium natural anodized | Snap-action switching element | 1 NC / 1 NO | C / B | 704.151.XXX | 0.23 kg |
| Type S42, 1 contact element | Plastic black | Aluminium natural anodized | Snap-action switching element | 1 NC / 1 NO | C / B | 704.152.XXX | 0.23 kg |
| Type S43, 1 contact element | Plastic black | Aluminium natural anodized | Snap-action switching element | 1 NC / 1 NO | C / B | 704.153.XXX | 0.23 kg |
| Type S44, 1 contact element positive opened | Plastic black | Aluminium natural anodized | Snap-action switching element | 1 NC / 1 NO | C / B | 704.154.XXX | 0.23 kg |
| Type S45, 1 contact element positive opened | Plastic black | Aluminium natural anodized | Snap-action switching element | 1 NC / 1 NO | C / B | 704.155.XXX | 0.23 kg |

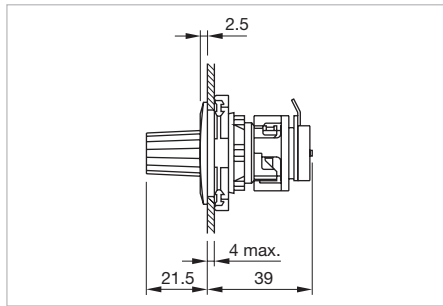
Contacts: NC = Normally closed, NO = Normally open

Switching action : B = Momentary, C = Maintain

Potentiometer, IP 65



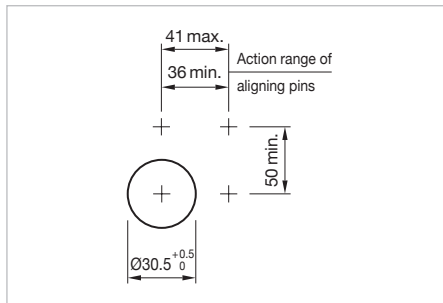
Product can differ from the current configuration.



Dimensions [mm]

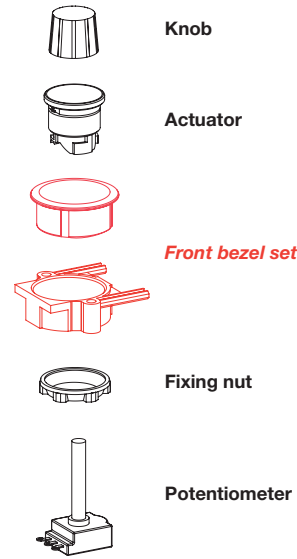
Additional Information

- For front dimensions 36 x 36 mm, Ø 36 mm
- Resistor 10 kOhm / linear, series E3
- Power 0.4 W
- Slewing range 300°




Mounting cut-outs [mm]

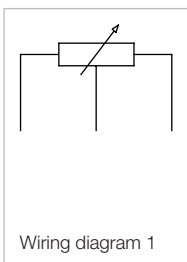
Equipment consisting of (schematic overview)



Each Part Number listed below includes all the black components shown in the 3D-drawing.

To obtain a complete unit, please select the red components from the page s shown.

| Product attribute | Front ring | Terminal | Part No. | Wiring diagram | Weight |
|--|---------------------|----------|-----------------------|----------------|----------|
|  Potentiometer | Plastic matt chrome | Solder | 44-745.20-10K1 | 1 | 0.030 kg |
| | Plastic matt grey | Solder | 44-745.60-10K1 | 1 | 0.030 kg |
| without potentiometer, specification for potentiometer: Shaft = length 32 mm, shaft end = Form A, Ø = 6 mm | Plastic matt chrome | | 44-744.20 | | 0.016 kg |
| | Plastic matt grey | | 44-744.60 | | 0.016 kg |

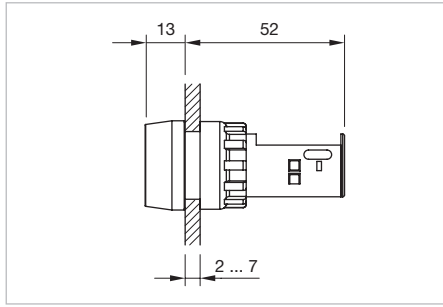


04 Raised design

Indicator full-face illumination compact, IP65



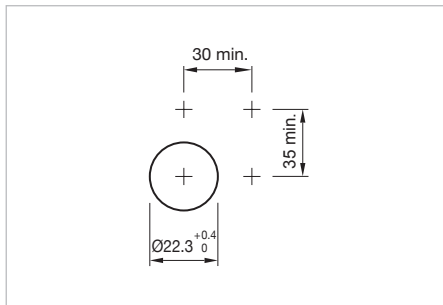
Product can differ from the current configuration.



Dimensions [mm]

Additional Information

- Housing plastic grey



Mounting cut-outs [mm]

Equipment consisting of (schematic overview)



Lens cap

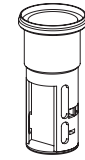


Marking cap



LED

page 150




Actuator

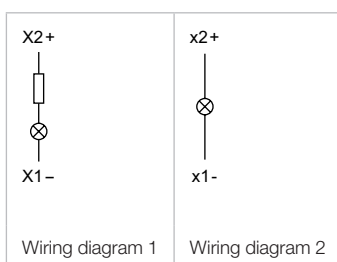


Fixing nut

Each Part Number listed below includes all the black components shown in the 3D-drawing.

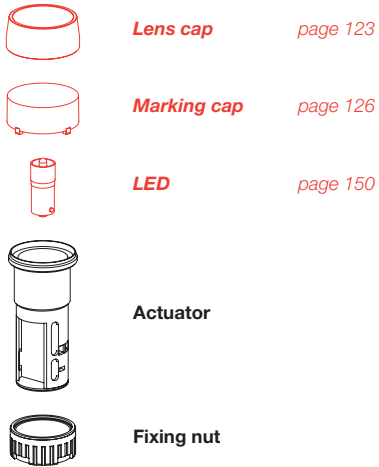
To obtain a complete unit, please select the red components from the pages shown.

| Product attribute | Marking cap | Lens cap | Terminal | Part No. | Wiring diagram | Weight |
|--|-------------------------------|--------------------------------|----------|------------------|----------------|----------|
|  Filament lamp 130 V, max. 2.6 W with integrated series resistor 230/130 V | white translucent | Plastic red translucent | Screw | 704.022.2 | 1 | 0.025 kg |
| | | Plastic yellow translucent | Screw | 704.022.4 | 1 | 0.025 kg |
| | | Plastic green translucent | Screw | 704.022.5 | 1 | 0.025 kg |
| | | Plastic blue translucent | Screw | 704.022.6 | 1 | 0.025 kg |
| | | Plastic colourless translucent | Screw | 704.022.7 | 1 | 0.025 kg |
| Filament lamp max. 2.6 W or LED | white translucent | Plastic red translucent | Screw | 704.020.2 | 2 | 0.020 kg |
| | | Plastic yellow translucent | Screw | 704.020.4 | 2 | 0.020 kg |
| | | Plastic green translucent | Screw | 704.020.5 | 2 | 0.020 kg |
| | | Plastic blue translucent | Screw | 704.020.6 | 2 | 0.020 kg |
| | | Plastic colourless translucent | Screw | 704.020.7 | 2 | 0.020 kg |
| | colourless transparent ripped | Plastic red transparent | Screw | 704.021.2 | 2 | 0.020 kg |
| | | Plastic yellow transparent | Screw | 704.021.4 | 2 | 0.020 kg |
| | | Plastic green transparent | Screw | 704.021.5 | 2 | 0.020 kg |
| | | Plastic blue transparent | Screw | 704.021.6 | 2 | 0.020 kg |
| | | Plastic colourless transparent | Screw | 704.021.7 | 2 | 0.020 kg |



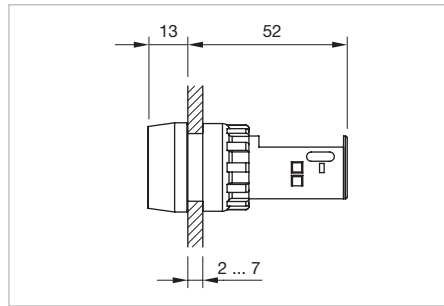
Indicator full face illumination compact round, IP65

Equipment consisting of (schematic overview)

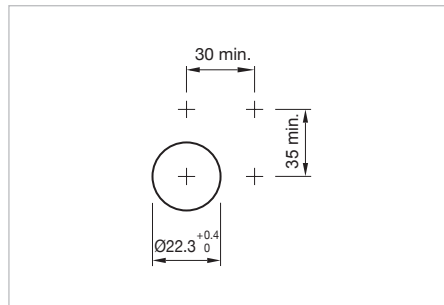


Each Part Number listed below includes all the black components shown in the 3D-drawing.

To obtain a complete unit, please select the red components from the pages shown.



Dimensions [mm]




Mounting cut-outs [mm]

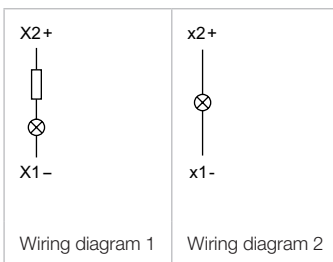


Product can differ from the current configuration.

Additional Information

- For front dimension \varnothing 29 mm
- Housing plastic grey

| Product attribute | Part No. | Wiring diagram | Weight |
|---|------------------|----------------|----------|
|  | | | |
| Indicator actuator full face illumination compact | | | |
| with series resistor for 220/240 V and incandescent lamp 130 V, 20 mA | 704.642.2 | 1 | 0.009 kg |
| without built-in series resistor | 704.642.0 | 1 | 0.006 kg |
| with series resistor for 220/240 V and filament lamp 130 V, 20 mA | 704.642.1 | 2 | 0.020 kg |

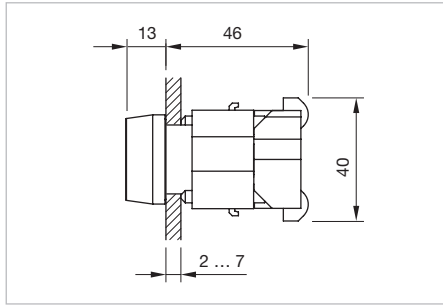


04 Raised design

Indicator full face illumination, IP65



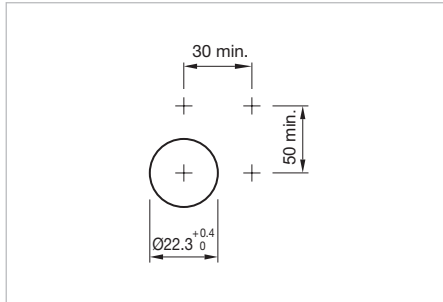
Product can differ from the current configuration.



Dimensions [mm]

Additional Information

- Housing plastic grey



Mounting cut-outs [mm]

Equipment consisting of (schematic overview)



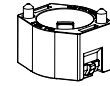
Lens cap



Marking cap



Actuator

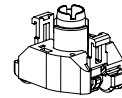


Bayonet flange



LED


page 150




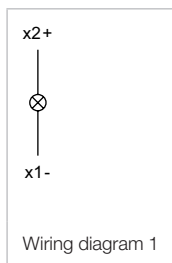
Lamp block

Each Part Number listed below includes all the black components shown in the 3D-drawing.

To obtain a complete unit, please select the red components from the pages shown.

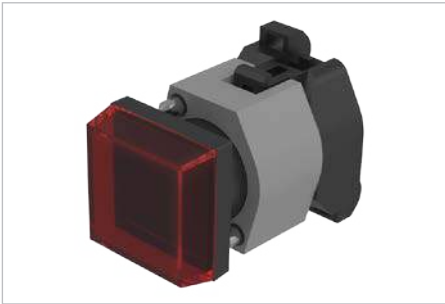
| Product attribute | Marking cap | Front bezel | Lens cap | Terminal | Part No. | Wiring diagram | Weight |
|---|-------------------|---------------|--------------------|----------|------------------|----------------|----------|
|  <p>Indicator actuator full-face illumination, Front dimension 30 x 30 mm</p> | white translucent | Plastic grey | Plastic red | Screw | 704.200.2 | 1 | 0.050 kg |
| | | | Plastic yellow | Screw | 704.200.4 | 1 | 0.050 kg |
| | | | Plastic green | Screw | 704.200.5 | 1 | 0.050 kg |
| | | | Plastic blue | Screw | 704.200.6 | 1 | 0.050 kg |
| | | | Plastic colourless | Screw | 704.200.7 | 1 | 0.050 kg |
| | | Plastic black | Plastic red | Screw | 704.199.2 | 1 | 0.050 kg |
| | | | Plastic yellow | Screw | 704.199.4 | 1 | 0.050 kg |
| | | | Plastic green | Screw | 704.199.5 | 1 | 0.050 kg |
| | | | Plastic colourless | Screw | 704.199.7 | 1 | 0.050 kg |

| Product attribute | Marking cap | Front bezel | Lens cap | Terminal | Part No. | Wiring diagram | Weight |
|--|-------------------------------|-------------|--------------------|----------|------------------|----------------|----------|
|  <p>Indicator actuator full-face illumination, Front dimension Ø 29 mm</p> | | | | | | | |
| Filament lamp or LED | white translucent | | Plastic red | Screw | 704.000.2 | 1 | 0.050 kg |
| | | | Plastic yellow | Screw | 704.000.4 | 1 | 0.050 kg |
| | | | Plastic green | Screw | 704.000.5 | 1 | 0.050 kg |
| | | | Plastic blue | Screw | 704.000.6 | 1 | 0.050 kg |
| | | | Plastic colourless | Screw | 704.000.7 | 1 | 0.050 kg |
| | colourless transparent ripped | | Plastic red | Screw | 704.001.2 | 1 | 0.050 kg |
| | | | Plastic yellow | Screw | 704.001.4 | 1 | 0.050 kg |
| | | | Plastic green | Screw | 704.001.5 | 1 | 0.050 kg |
| | | | Plastic blue | Screw | 704.001.6 | 1 | 0.050 kg |
| | | | Plastic colourless | Screw | 704.001.7 | 1 | 0.050 kg |

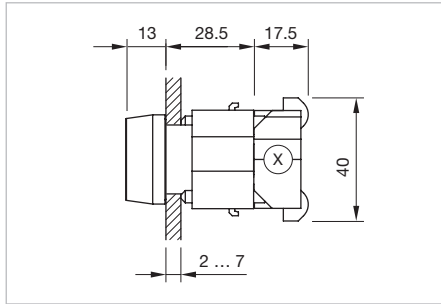


04 Raised design

Indicator full face illumination square, IP65



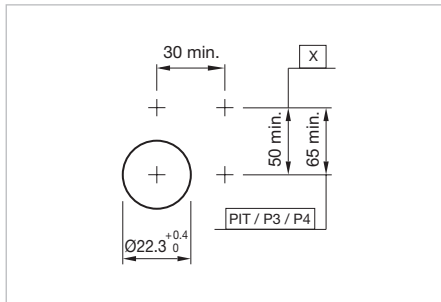
Product can differ from the current configuration.



Dimensions [mm]
X = Screw terminal

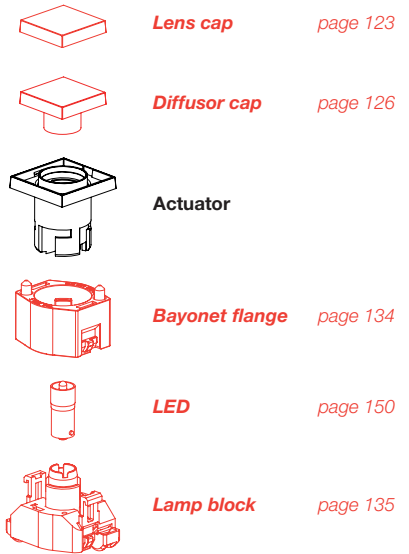
Additional Information

- For front dimension 30 x 30 mm
- Housing plastic grey
- Other terminal options from the part lamp block see «Accessories»




Mounting cut-outs [mm]
PIT = Push-in terminal,
P3 = Plug-in terminal 6.3 x 0.8 mm,
P4 = Double plug-in terminal 6.3 x 0.8 mm,
X = Screw terminal

Equipment consisting of (schematic overview)






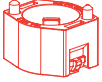

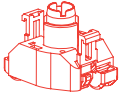
Each Part Number listed below includes all the black components shown in the 3D-drawing.

To obtain a complete unit, please select the red components from the pages shown.

| Part No. | Weight |
|--|----------|
|  <p>Indicator actuator full face illumination square</p> | |
| 704.730.0 | 0.005 kg |
| 704.730.1 | 0.005 kg |

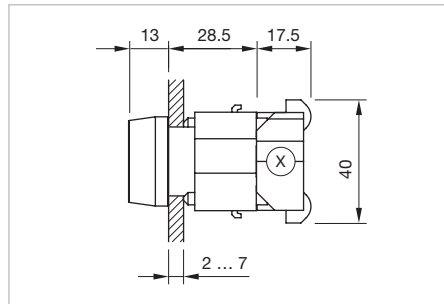
Indicator full face illumination round, IP65

Equipment consisting of (schematic overview)

-  **Lens cap** *page 123*
-  **Marking cap** *page 126*
-  **Actuator**
-  **Bayonet flange** *page 134*
-  **LED** *page 150*
-  **Lamp block** *page 135*

Each Part Number listed below includes all the black components shown in the 3D-drawing.

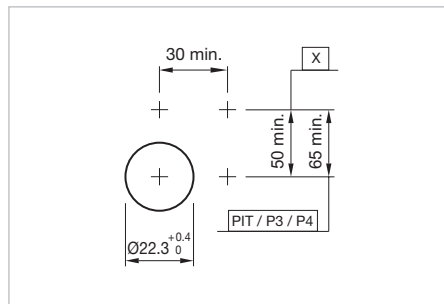
To obtain a complete unit, please select the red components from the pages shown.



Dimensions [mm]
X = Screw terminal




Product can differ from the current configuration.



Mounting cut-outs [mm]
PIT = Push-in terminal,
P3 = Plug-in terminal 6.3 x 0.8 mm,
P4 = Double plug-in terminal 6.3 x 0.8 mm,
X = Screw terminal

Additional Information

- For front dimension Ø 29 mm
- Housing plastic grey
- Other terminal options from the part lamp block see «Accessories»

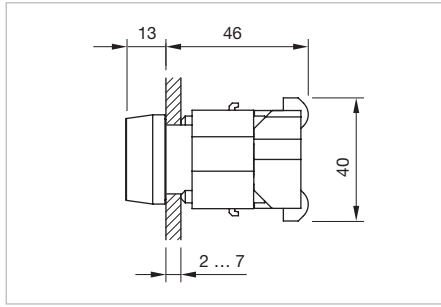
| Part No. | Weight |
|---|----------|
|  <p>Indicator actuator full face illumination round</p> | |
| 704.630.1 | 0.005 kg |

04 Raised design

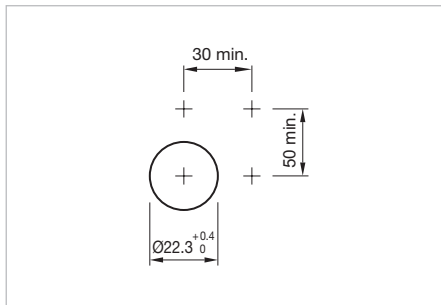
Indicator front illumination, IP65



Product can differ from the current configuration.

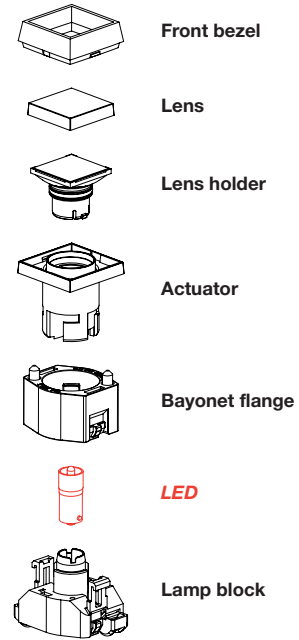


Dimensions [mm]




Mounting cut-outs [mm]


Equipment consisting of (schematic overview)

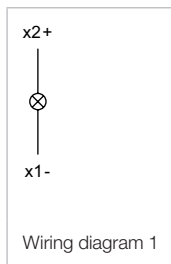


Each Part Number listed below includes all the black components shown in the 3D-drawing.

To obtain a complete unit, please select the red components from the pages shown.

| Product attribute | Marking plate | Housing | Front ring | Front bezel | Lens | Terminal | Part No. | Wiring diagram | Weight |
|--|------------------------|---------------|------------|---------------|--------------------|----------|------------------|----------------|----------|
|  <p>Indicator actuator front illumination, Front dimension 30 x 30 mm</p> | | | | | | | | | |
| Filament lamp or LED | white translucent | Plastic black | | Plastic grey | Plastic red | Screw | 704.202.2 | 1 | 0.050 kg |
| | | | | | Plastic yellow | Screw | 704.202.4 | 1 | 0.050 kg |
| | | | | | Plastic green | Screw | 704.202.5 | 1 | 0.050 kg |
| | | | | | Plastic blue | Screw | 704.202.6 | 1 | 0.050 kg |
| | | | | | Plastic colourless | Screw | 704.202.7 | 1 | 0.050 kg |
| | | | | Plastic black | Plastic red | Screw | 704.206.2 | 1 | 0.050 kg |
| | | | | | Plastic yellow | Screw | 704.206.4 | 1 | 0.050 kg |
| | | | | | Plastic green | Screw | 704.206.5 | 1 | 0.050 kg |
| | | | | | Plastic blue | Screw | 704.206.6 | 1 | 0.050 kg |
| | | | | | Plastic colourless | Screw | 704.206.7 | 1 | 0.050 kg |
| | colourless transparent | Plastic black | | Plastic grey | Plastic red | Screw | 704.203.2 | 1 | 0.050 kg |
| | | | | | Plastic yellow | Screw | 704.203.4 | 1 | 0.050 kg |
| | | | | | Plastic green | Screw | 704.203.5 | 1 | 0.050 kg |
| | | | | | Plastic blue | Screw | 704.203.6 | 1 | 0.050 kg |
| | | | | | Plastic colourless | Screw | 704.203.7 | 1 | 0.050 kg |
| | | | | Plastic black | Plastic green | Screw | 704.207.5 | 1 | 0.050 kg |
| | | | | | Plastic blue | Screw | 704.207.6 | 1 | 0.050 kg |

| Product attribute | Marking plate | Housing | Front ring | Front bezel | Lens | Terminal | Part No. | Wiring diagram | Weight | |
|--|-------------------------------|--------------|--------------|---------------|--------------------|--------------------|------------------|------------------|----------|----------|
|  <p>Indicator actuator front illumination, Front dimension Ø 29 mm</p> | | | | | | | | | | |
| Filament lamp or LED | white translucent | Plastic grey | Plastic grey | | Plastic red | Screw | 704.002.2 | 1 | 0.050 kg | |
| | | | | | Plastic yellow | Screw | 704.002.4 | 1 | 0.050 kg | |
| | | | | | Plastic green | Screw | 704.002.5 | 1 | 0.050 kg | |
| | | | | | Plastic blue | Screw | 704.002.6 | 1 | 0.050 kg | |
| | | | | | Plastic colourless | Screw | 704.002.7 | 1 | 0.050 kg | |
| | colourless transparent ripped | Plastic grey | Plastic grey | Plastic black | | Plastic red | Screw | 704.006.2 | 1 | 0.050 kg |
| | | | | | | Plastic yellow | Screw | 704.006.4 | 1 | 0.050 kg |
| | | | | | | Plastic green | Screw | 704.006.5 | 1 | 0.050 kg |
| | | | | | | Plastic blue | Screw | 704.006.6 | 1 | 0.050 kg |
| | | | | | | Plastic colourless | Screw | 704.006.7 | 1 | 0.050 kg |
| | colourless transparent ripped | Plastic grey | Plastic grey | | Plastic red | Screw | 704.003.2 | 1 | 0.050 kg | |
| | | | | | Plastic yellow | Screw | 704.003.4 | 1 | 0.050 kg | |
| | | | | | Plastic green | Screw | 704.003.5 | 1 | 0.050 kg | |
| | | | | | Plastic blue | Screw | 704.003.6 | 1 | 0.050 kg | |
| | | | | | Plastic colourless | Screw | 704.003.7 | 1 | 0.050 kg | |

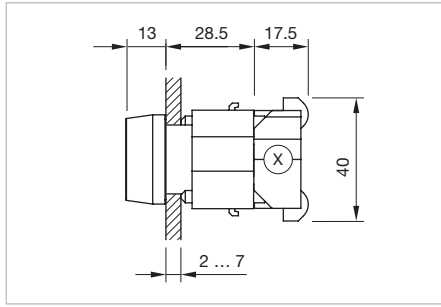


04 Raised design

Indicator front illumination square, IP65



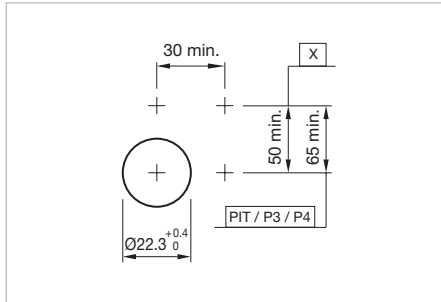
Product can differ from the current configuration.



Dimensions [mm]
X = Screw terminal

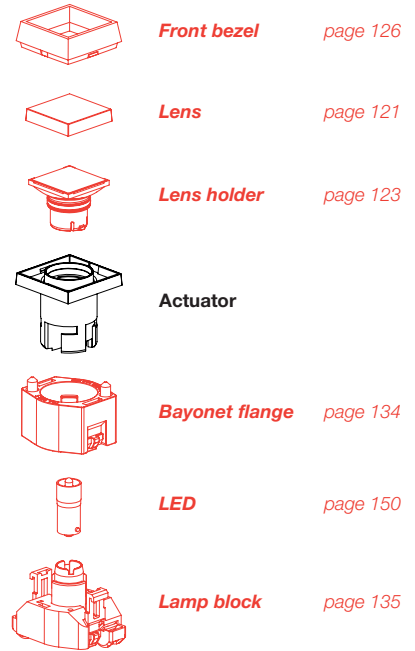
Additional Information

- For front dimension 30 x 30 mm
- Other terminal options from the part lamp block see «Accessories»




Mounting cut-outs [mm]
PIT = Push-in terminal,
P3 = Plug-in terminal 6.3 x 0.8 mm,
P4 = Double plug-in terminal 6.3 x 0.8 mm,
X = Screw terminal

Equipment consisting of (schematic overview)



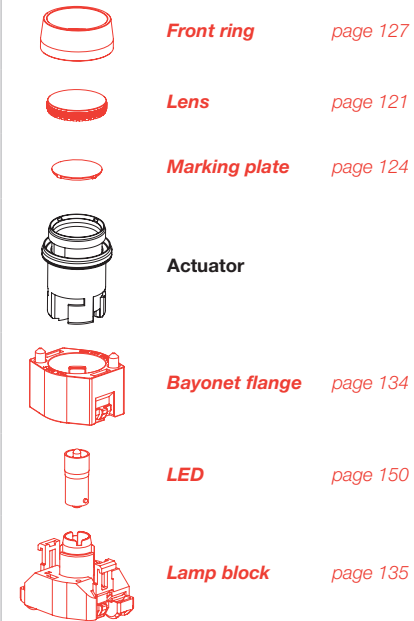
Each Part Number listed below includes all the black components shown in the 3D-drawing.

To obtain a complete unit, please select the red components from the pages shown.

| Housing | Part No. | Weight |
|---|---|----------|
|  | Indicator actuator front illumination square | |
| Plastic black | 704.733.0 | 0.020 kg |
| Plastic grey | 704.733.1 | 0.020 kg |

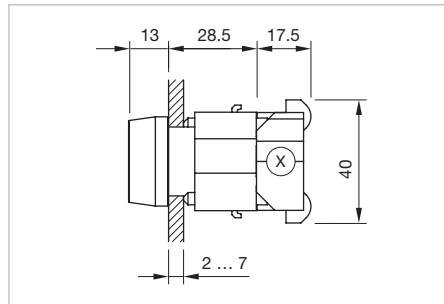
Indicator front illumination round, IP65

Equipment consisting of (schematic overview)



Each Part Number listed below includes all the black components shown in the 3D-drawing.

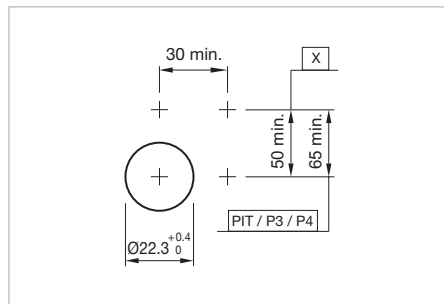
To obtain a complete unit, please select the red components from the pages shown.



Dimensions [mm]
X = Screw terminal



Product can differ from the current configuration.



Mounting cut-outs [mm]
PIT = Push-in terminal,
P3 = Plug-in terminal 6.3 x 0.8 mm,
P4 = Double plug-in terminal 6.3 x 0.8 mm,
X = Screw terminal

Additional Information

- For front dimension \varnothing 29 mm
- Lens flat or raised possible; equal choose marking plate or marking cap
- Housing plastic grey
- Other terminal options from the part lamp block see «Accessories»

Part No.

Weight



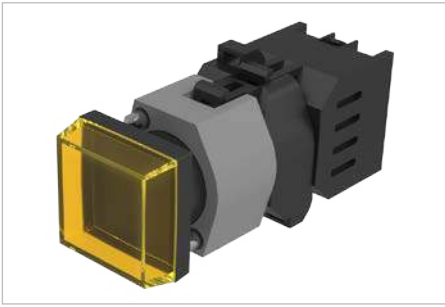
Indicator actuator front illumination round

704.633.1

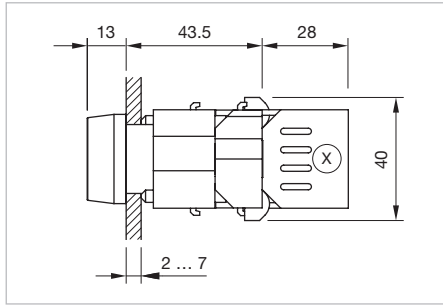
0.020 kg

04 Raised design

Flasher full face illumination, IP65



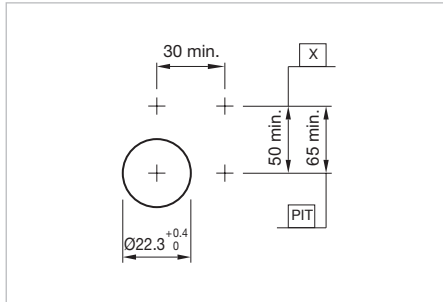
Product can differ from the current configuration.



Dimensions [mm]
X = Screw terminal

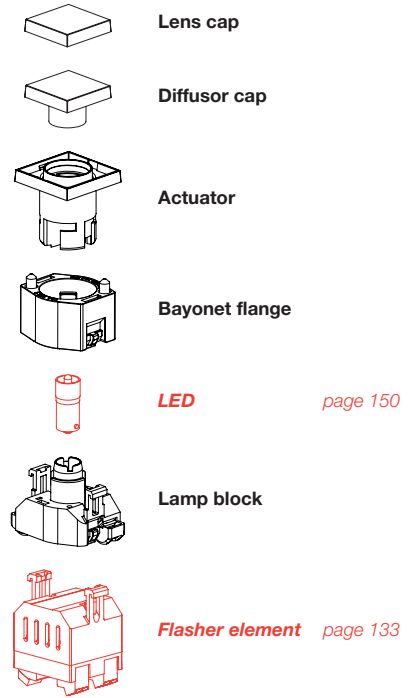
Additional Information

- The lamp block will be delivered with screw terminal
- Other terminal options of the part flasher element see «Accessories»




Mounting cut-outs [mm]
PIT = Push-in terminal,
X = Screw terminal


Equipment consisting of (schematic overview)

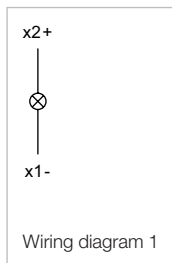


Each Part Number listed below includes all the black components shown in the 3D-drawing.

To obtain a complete unit, please select the red components from the pages shown.

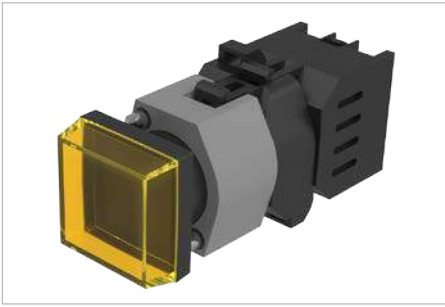
| Product attribute | Diffusor cap | Housing | Front bezel | Lens cap | Part No. | Wiring diagram | Weight |
|---|-------------------|---------------|---------------|----------------------|------------------|----------------|----------|
|  <p>Flasher actuator full face illumination, Front dimension 30 x 30 mm</p> | white translucent | Plastic black | Plastic grey | Plastic red | 704.200.2 | 1 | 0.050 kg |
| | | | | Plastic yellow | 704.200.4 | 1 | 0.050 kg |
| | | | | Plastic green | 704.200.5 | 1 | 0.050 kg |
| | | | | Plastic blue | 704.200.6 | 1 | 0.050 kg |
| | | | | Plastic colourless | 704.200.7 | 1 | 0.050 kg |
| | | | Plastic black | Plastic red | 704.199.2 | 1 | 0.050 kg |
| | | | | Plastic yellow | 704.199.4 | 1 | 0.050 kg |
| | | | | Plastic green | 704.199.5 | 1 | 0.050 kg |
| | | | | Plastic colourless | 704.199.7 | 1 | 0.050 kg |
| | | | | Filament lamp or LED | | | |

| Product attribute | Diffusor cap | Housing | Front bezel | Lens cap | Part No. | Wiring diagram | Weight |
|--|-------------------------------|--------------|-------------|--------------------|------------------|----------------|----------|
|  <p>Flasher actuator full face illumination, Front dimension Ø 29 mm</p> | | | | | | | |
| Filament lamp or LED | white translucent | Plastic grey | | Plastic red | 704.000.2 | 1 | 0.050 kg |
| | | | | Plastic yellow | 704.000.4 | 1 | 0.050 kg |
| | | | | Plastic green | 704.000.5 | 1 | 0.050 kg |
| | | | | Plastic blue | 704.000.6 | 1 | 0.050 kg |
| | | | | Plastic colourless | 704.000.7 | 1 | 0.050 kg |
| | colourless transparent ripped | Plastic grey | | Plastic red | 704.001.2 | 1 | 0.050 kg |
| | | | | Plastic yellow | 704.001.4 | 1 | 0.050 kg |
| | | | | Plastic green | 704.001.5 | 1 | 0.050 kg |
| | | | | Plastic blue | 704.001.6 | 1 | 0.050 kg |
| | | | | Plastic colourless | 704.001.7 | 1 | 0.050 kg |

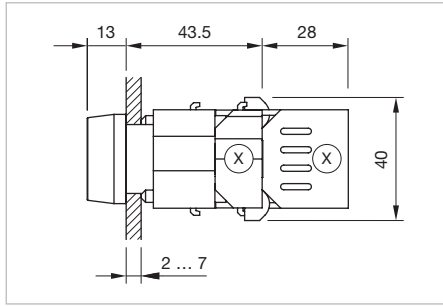


04 Raised design

Flasher full face illumination square, IP65



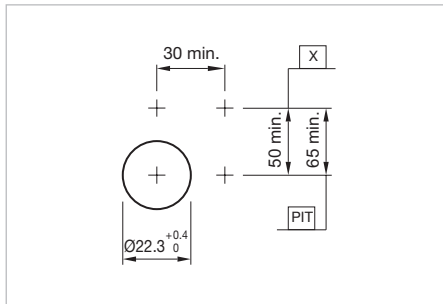
Product can differ from the current configuration.



Dimensions [mm]
X = Screw terminal

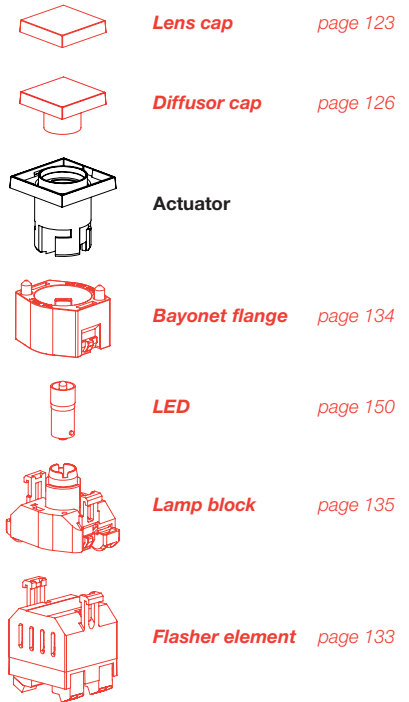
Additional Information

- For front dimension 30 x 30 mm
- Other terminal options from the part flasher element and lamp block see «Accessories»



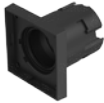
Mounting cut-outs [mm]
PIT = Push-in terminal,
X = Screw terminal

Equipment consisting of (schematic overview)






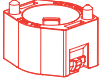

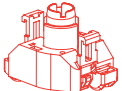
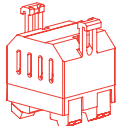
Each Part Number listed below includes all the black components shown in the 3D-drawing.

To obtain a complete unit, please select the red components from the pages shown.

| Housing | Part No. | Weight |
|--|-----------|----------|
|  <p>Flasher actuator full face illumination square</p> | 704.730.0 | 0.050 kg |
| | 704.730.1 | 0.050 kg |

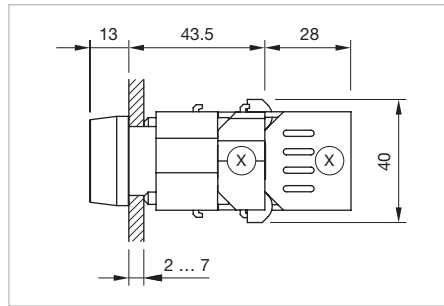
Flasher full face illumination round, IP65

Equipment consisting of (schematic overview)

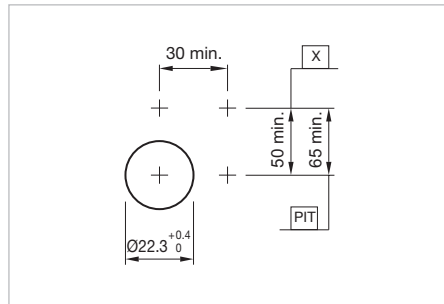
-  **Lens cap** *page 123*
-  **Marking cap** *page 126*
-  **Actuator**
-  **Bayonet flange** *page 134*
-  **LED** *page 150*
-  **Lamp block** *page 135*
-  **Flasher element** *page 133*

Each Part Number listed below includes all the black components shown in the 3D-drawing.

To obtain a complete unit, please select the red components from the pages shown.



Dimensions [mm]
X = Screw terminal




Mounting cut-outs [mm]
PIT = Push-in terminal,
X = Screw terminal



Product can differ from the current configuration.

Additional Information

- For front dimension Ø 29 mm
- Housing plastic grey
- Other terminal options from the part flasher element and lamp block see «Accessories»

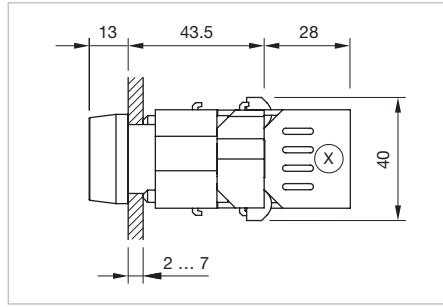
| Part No. | Weight |
|---|----------|
|  <p>Flasher actuator full face illumination round</p> | |
| 704.630.1 | 0.020 kg |

04 Raised design

Flasher front illumination, IP65



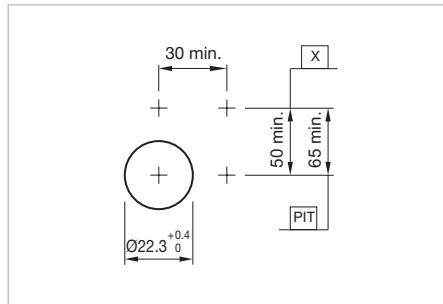
Product can differ from the current configuration.



Dimensions [mm]
X = Screw terminal

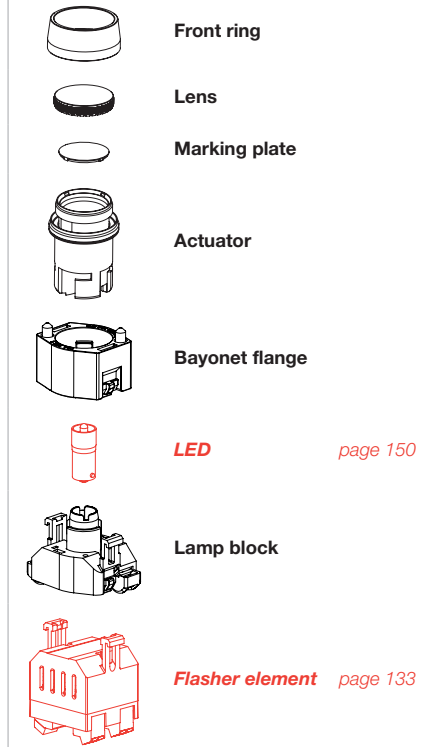
Additional Information

- The lamp block will be delivered with screw terminal
- Other terminal options of the part flasher element see «Accessories»




Mounting cut-outs [mm]
PIT = Push-in terminal,
X = Screw terminal

Equipment consisting of (schematic overview)



Each Part Number listed below includes all the black components shown in the 3D-drawing.

To obtain a complete unit, please select the red components from the pages shown.

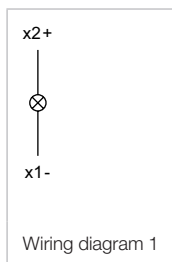
| Product attribute | Marking plate | Housing | Front ring | Front bezel | Lens | Part No. | Wiring diagram | Weight | |
|--|-------------------|---------------|------------|--------------------|--------------------|------------------|------------------|----------|----------|
|  <p>Flasher actuator front illumination, Front dimension 30 x 30 mm</p> | white translucent | Plastic black | | Plastic grey | Plastic red | 704.202.2 | 1 | 0.050 kg | |
| | | | | | Plastic yellow | 704.202.4 | 1 | 0.050 kg | |
| | | | | | Plastic green | 704.202.5 | 1 | 0.050 kg | |
| | | | | | Plastic blue | 704.202.6 | 1 | 0.050 kg | |
| | | | | | Plastic colourless | 704.202.7 | 1 | 0.050 kg | |
| | | | | | Plastic black | Plastic red | 704.206.2 | 1 | 0.050 kg |
| | | | | | | Plastic yellow | 704.206.4 | 1 | 0.050 kg |
| | | | | Plastic green | | 704.206.5 | 1 | 0.050 kg | |
| | | | | Plastic blue | | 704.206.6 | 1 | 0.050 kg | |
| | | | | Plastic colourless | | 704.206.7 | 1 | 0.050 kg | |

| Product attribute | Marking plate | Housing | Front ring | Front bezel | Lens | Part No. | Wiring diagram | Weight |
|-------------------|------------------------|---------------|------------|---------------|--------------------|------------------|----------------|----------|
| | colourless transparent | Plastic black | | Plastic grey | Plastic red | 704.203.2 | 1 | 0.050 kg |
| | | | | | Plastic yellow | 704.203.4 | 1 | 0.050 kg |
| | | | | | Plastic green | 704.203.5 | 1 | 0.050 kg |
| | | | | | Plastic blue | 704.203.6 | 1 | 0.050 kg |
| | | | | | Plastic colourless | 704.203.7 | 1 | 0.050 kg |
| | | | | Plastic black | Plastic green | 704.207.5 | 1 | 0.050 kg |
| | | | | | Plastic blue | 704.207.6 | 1 | 0.050 kg |



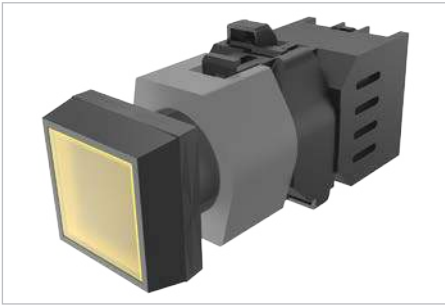
Flasher actuator front illumination, Front dimension Ø 29 mm

| | | | | | | | | | | | |
|----------------------|-------------------|--------------|--------------------|-------------------------------|--------------------|------------------|--------------|------------------|---|-------------|------------------|
| Filament lamp or LED | white translucent | Plastic grey | Plastic grey | | Plastic red | 704.002.2 | 1 | 0.050 kg | | | |
| | | | | | Plastic yellow | 704.002.4 | 1 | 0.050 kg | | | |
| | | | | | Plastic green | 704.002.5 | 1 | 0.050 kg | | | |
| | | | | | Plastic blue | 704.002.6 | 1 | 0.050 kg | | | |
| | | | | | Plastic colourless | 704.002.7 | 1 | 0.050 kg | | | |
| | | | | | Plastic black | | Plastic red | 704.006.2 | 1 | 0.050 kg | |
| | | | Plastic yellow | 704.006.4 | | | 1 | 0.050 kg | | | |
| | | | Plastic green | 704.006.5 | | | 1 | 0.050 kg | | | |
| | | | Plastic blue | 704.006.6 | | | 1 | 0.050 kg | | | |
| | | | Plastic colourless | 704.006.7 | | | 1 | 0.050 kg | | | |
| | | | | colourless transparent ripped | | | Plastic grey | Plastic grey | | Plastic red | 704.003.2 |
| | | | | | Plastic yellow | 704.003.4 | | | | 1 | 0.050 kg |
| Plastic green | 704.003.5 | 1 | | | 0.050 kg | | | | | | |
| Plastic blue | 704.003.6 | 1 | | | 0.050 kg | | | | | | |
| Plastic colourless | 704.003.7 | 1 | | | 0.050 kg | | | | | | |

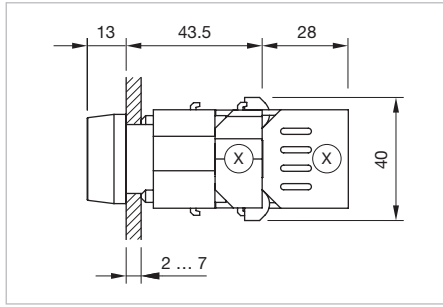


04 Raised design

Flasher front illumination square, IP65



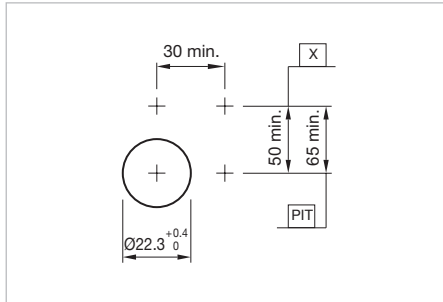
Product can differ from the current configuration.



Dimensions [mm]
X = Screw terminal

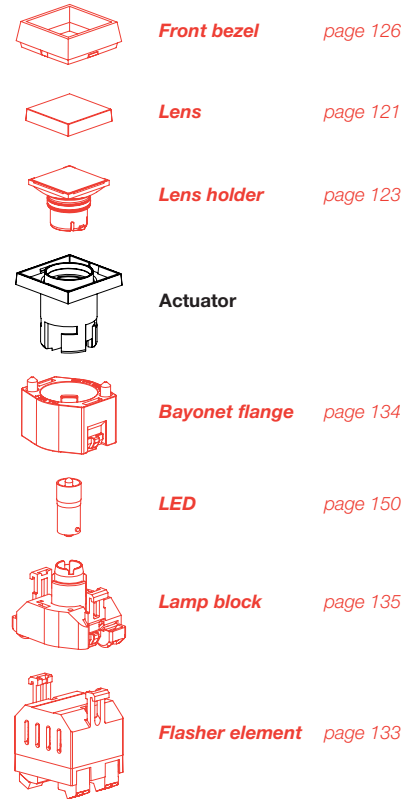
Additional Information

- For front dimension 30 x 30 mm
- Other terminal options from the part flasher element and lamp block see «Accessories»




Mounting cut-outs [mm]
PIT = Push-in terminal,
X = Screw terminal

Equipment consisting of (schematic overview)







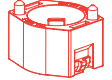
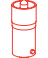
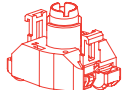
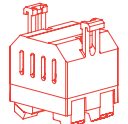
Each Part Number listed below includes all the black components shown in the 3D-drawing.

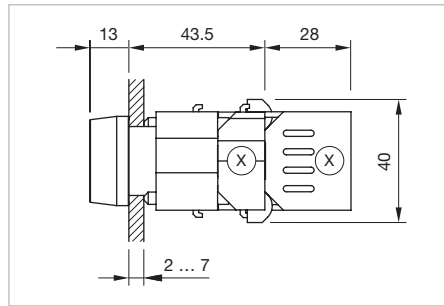
To obtain a complete unit, please select the red components from the pages shown.

| Housing | Part No. | Weight |
|---|------------------|----------|
|  <p>Flasher front illumination square</p> | | |
| Plastic black | 704.733.0 | 0.020 kg |
| Plastic grey | 704.733.1 | 0.020 kg |

Flasher front illumination round, IP65

Equipment consisting of (schematic overview)

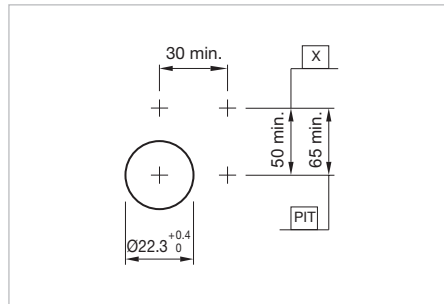
| | | |
|--|------------------------|----------|
|  | Front ring | page 130 |
|  | Lens | page 123 |
|  | Marking plate | page 127 |
|  | Actuator | |
|  | Bayonet flange | page 136 |
|  | LED | page 151 |
|  | Lamp block | page 137 |
|  | Flasher element | page 135 |



Dimensions [mm]
X = Screw terminal



Product can differ from the current configuration.




Mounting cut-outs [mm]
PIT = Push-in terminal,
X = Screw terminal

Additional Information

- For front dimension \varnothing 29 mm
- Lens flat or raised possible; equal choose marking plate or marking cap
- Housing plastic grey
- Other terminal options from the part flasher element and lamp block see «Accessories»

Each Part Number listed below includes all the black components shown in the 3D-drawing.

To obtain a complete unit, please select the red components from the pages shown.

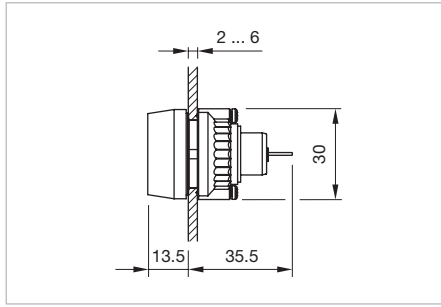
| Part No. | Weight |
|---|----------|
|  <p>Flasher actuator front illumination round</p> | |
| 704.633.1 | 0.020 kg |

04 Raised design

Buzzer, IP65

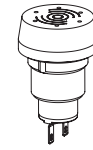


Product can differ from the current configuration.



Dimensions [mm]

Equipment consisting of (schematic overview)



Buzzer

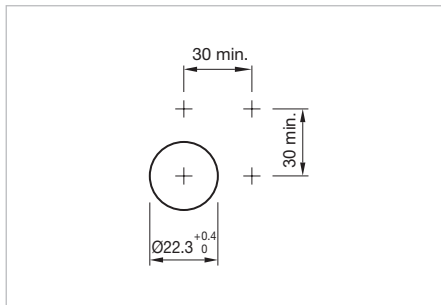


Fixing nut

Each Part Number listed below includes all the black components shown in the 3D-drawing.

Additional Information

- Further information see «Technical data»

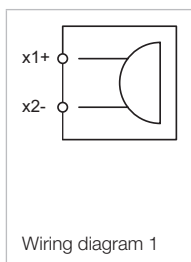


Mounting cut-outs [mm]

| Operating voltage | Front cap | Terminal | Part No. | Wiring diagram | Weight |
|-------------------|---------------------|---------------------|-------------------|----------------|----------|
| 24 VDC | Plastic black | Solder 2.8 x 0.5 mm | 14-810.002 | 1 | 0.016 kg |
| | Brass nickel-plated | Solder 2.8 x 0.5 mm | 14-810.902 | 1 | 0.016 kg |

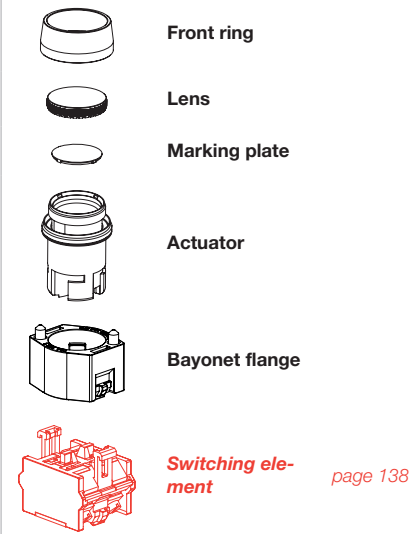


Buzzer, Front dimension Ø 29 mm



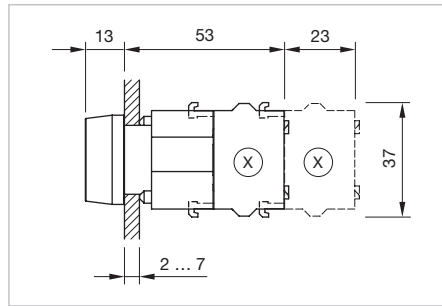
Pushbutton

Equipment consisting of (schematic overview)

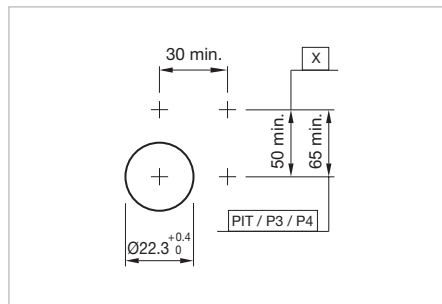


Each Part Number listed below includes all the black components shown in the 3D-drawing.

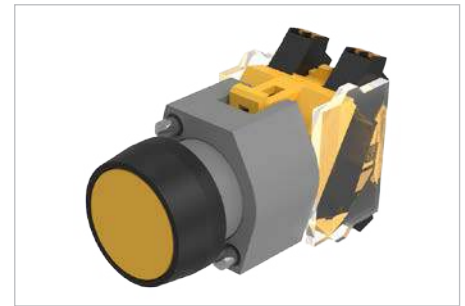
To obtain a complete unit, please select the red components from the pages shown.



Dimensions [mm]
X = Screw terminal



Mounting cut-outs [mm]
PIT = Push-in terminal,
P3 = Plug-in terminal 6.3 x 0.8 mm,
P4 = Double plug-in terminal 6.3 x 0.8 mm,
X = Screw terminal



Product can differ from the current configuration.

Additional Information

- Other terminal options from the part switching element see «Accessories»
- The colour of anodized aluminium parts can vary due to technical production reasons
- Frontring with protective cover to be mounted with a torque of 40 Ncm onto actuator
- Max. 3 switching elements can be clipped on

| Front protection | Front ring | Front bezel | Lens | Switching action | Part No. | Wiring diagram | Weight |
|--|------------|---------------|--------------------|------------------|------------------|----------------|----------|
| | | | | | | | |
| Pushbutton actuator, Front dimension 30 x 30 mm | | | | | | | |
| IP65 | | Plastic grey | Plastic black | B | 704.210.0 | 1 | 0.040 kg |
| | | | Plastic red | B | 704.210.2 | 1 | 0.040 kg |
| | | | Plastic yellow | B | 704.210.4 | 1 | 0.040 kg |
| | | | Plastic green | B | 704.210.5 | 1 | 0.040 kg |
| | | | Plastic blue | B | 704.210.6 | 1 | 0.040 kg |
| | | | Plastic colourless | B | 704.210.7 | 1 | 0.040 kg |
| | | Plastic black | Plastic black | B | 704.209.0 | 1 | 0.040 kg |
| | | | Plastic red | B | 704.209.2 | 1 | 0.040 kg |
| | | | Plastic yellow | B | 704.209.4 | 1 | 0.040 kg |
| | | | Plastic green | B | 704.209.5 | 1 | 0.040 kg |
| | | | Plastic blue | B | 704.209.6 | 1 | 0.040 kg |
| | | | Plastic colourless | B | 704.209.7 | 1 | 0.040 kg |
| | | Plastic grey | Plastic black | C | 704.240.0 | 2 | 0.040 kg |
| | | | Plastic red | C | 704.240.2 | 2 | 0.040 kg |
| | | | Plastic yellow | C | 704.240.4 | 2 | 0.040 kg |
| Plastic green | C | | 704.240.5 | 2 | 0.040 kg | | |
| Plastic colourless | C | | 704.240.7 | 2 | 0.040 kg | | |

04 Raised design

| Front protection | Front ring | Front bezel | Lens | Switching action | Part No. | Wiring diagram | Weight |
|------------------|------------|---------------|--------------------|------------------|------------------|----------------|----------|
| IP65 | | Plastic black | Plastic black | C | 704.239.0 | 2 | 0.040 kg |
| | | | Plastic red | C | 704.239.2 | 2 | 0.040 kg |
| | | | Plastic green | C | 704.239.5 | 2 | 0.040 kg |
| | | | Plastic colourless | C | 704.239.7 | 2 | 0.040 kg |



Pushbutton actuator, Front dimension Ø 29 mm

| | | | | | | | | |
|--------------------------------|----------------------------|--|--------------------|--------------------------------|------------------|------------------|----------|----------|
| IP65 | Plastic grey | | Plastic black | B | 704.010.0 | 1 | 0.040 kg | |
| | | | Plastic red | B | 704.010.2 | 1 | 0.040 kg | |
| | | | Plastic yellow | B | 704.010.4 | 1 | 0.040 kg | |
| | | | Plastic green | B | 704.010.5 | 1 | 0.040 kg | |
| | | | Plastic blue | B | 704.010.6 | 1 | 0.040 kg | |
| | | | Plastic colourless | B | 704.010.7 | 1 | 0.040 kg | |
| | Plastic black | | | Plastic black | B | 704.009.0 | 1 | 0.040 kg |
| | | | | Plastic red | B | 704.009.2 | 1 | 0.040 kg |
| | | | | Plastic yellow | B | 704.009.4 | 1 | 0.040 kg |
| | | | | Plastic green | B | 704.009.5 | 1 | 0.040 kg |
| | | | | Plastic blue | B | 704.009.6 | 1 | 0.040 kg |
| | | | | Plastic colourless | B | 704.009.7 | 1 | 0.040 kg |
| | Plastic grey | | | Plastic black | C | 704.040.0 | 2 | 0.040 kg |
| | | | | Plastic red | C | 704.040.2 | 2 | 0.040 kg |
| | | | | Plastic yellow | C | 704.040.4 | 2 | 0.040 kg |
| | | | | Plastic green | C | 704.040.5 | 2 | 0.040 kg |
| | | | | Plastic blue | C | 704.040.6 | 2 | 0.040 kg |
| | | | | Plastic colourless | C | 704.040.7 | 2 | 0.040 kg |
| | Plastic black | | | Plastic black | C | 704.039.0 | 2 | 0.040 kg |
| | | | | Plastic red | C | 704.039.2 | 2 | 0.040 kg |
| | | | | Plastic yellow | C | 704.039.4 | 2 | 0.040 kg |
| | | | | Plastic green | C | 704.039.5 | 2 | 0.040 kg |
| | | | | Plastic blue | C | 704.039.6 | 2 | 0.040 kg |
| | | | | Plastic colourless | C | 704.039.7 | 2 | 0.040 kg |
| | Aluminium natural anodized | | | Aluminium black anodized | B | 704.011.0 | 1 | 0.040 kg |
| | | | | Aluminium red anodized | B | 704.011.2 | 1 | 0.040 kg |
| | | | | Aluminium gold anodized | B | 704.011.4 | 1 | 0.040 kg |
| | | | | Aluminium olive-green anodized | B | 704.011.5 | 1 | 0.040 kg |
| | | | | Aluminium blue anodized | B | 704.011.6 | 1 | 0.040 kg |
| | | | | Aluminium natural anodized | B | 704.011.8 | 1 | 0.040 kg |
| | | | | Plastic black | B | 704.012.0 | 1 | 0.040 kg |
| | | | | Plastic red | B | 704.012.2 | 1 | 0.040 kg |
| | | | | Plastic yellow | B | 704.012.4 | 1 | 0.040 kg |
| | | | | Plastic green | B | 704.012.5 | 1 | 0.040 kg |
| | | | | Plastic blue | B | 704.012.6 | 1 | 0.040 kg |
| | | | | Plastic colourless | B | 704.012.7 | 1 | 0.040 kg |
| Aluminium black anodized | | | | C | 704.041.0 | 2 | 0.040 kg | |
| Aluminium red anodized | | | | C | 704.041.2 | 2 | 0.040 kg | |
| Aluminium olive-green anodized | | | | C | 704.041.5 | 2 | 0.040 kg | |
| Aluminium blue anodized | | | | C | 704.041.6 | 2 | 0.040 kg | |
| Aluminium natural anodized | | | | C | 704.041.8 | 2 | 0.040 kg | |

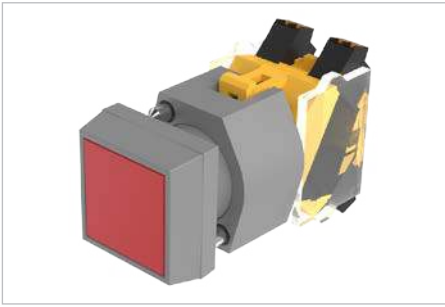
| Front protection | Front ring | Front bezel | Lens | Switching action | Part No. | Wiring diagram | Weight |
|--------------------|--|------------------|--------------------|------------------|------------------|----------------|----------|
| IP65 | Aluminium natural anodized | | Kunststoff schwarz | C | 704.042.0 | 2 | 0.040 kg |
| | | | Plastic red | C | 704.042.2 | 2 | 0.040 kg |
| | | | Plastic yellow | C | 704.042.4 | 2 | 0.040 kg |
| | | | Plastic green | C | 704.042.5 | 2 | 0.040 kg |
| | | | Plastic blue | C | 704.042.6 | 2 | 0.040 kg |
| | | | Plastic colourless | C | 704.042.7 | 2 | 0.040 kg |
| IP 67 | Aluminium natural anodized with protective cap | | Plastic black | B | 704.013.0 | 1 | 0.040 kg |
| | | | Plastic red | B | 704.013.2 | 1 | 0.040 kg |
| | | | Plastic yellow | B | 704.013.4 | 1 | 0.040 kg |
| | | | Plastic green | B | 704.013.5 | 1 | 0.040 kg |
| | | | Plastic blue | B | 704.013.6 | 1 | 0.040 kg |
| | | | Plastic colourless | B | 704.013.7 | 1 | 0.040 kg |
| | | | Plastic black | C | 704.043.0 | 2 | 0.040 kg |
| | | | Plastic red | C | 704.043.2 | 2 | 0.040 kg |
| Plastic colourless | C | 704.043.7 | 2 | 0.040 kg | | | |

Switching action : B = Momentary, C = Maintain

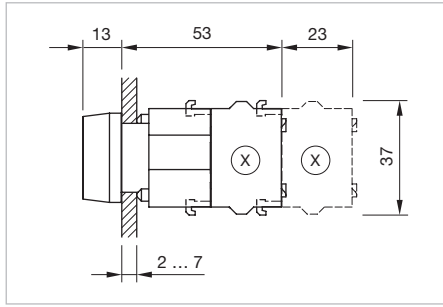
| | |
|------------------|------------------|
| E--- | E~-- |
| Wiring diagram 1 | Wiring diagram 2 |

04 Raised design

Pushbutton square, IP65



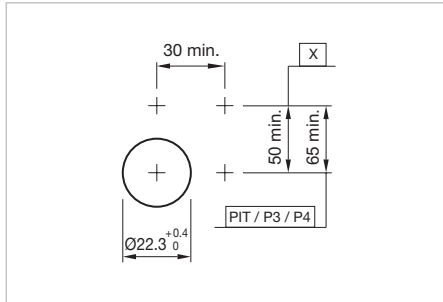
Product can differ from the current configuration.



Dimensions [mm]
X = Screw terminal

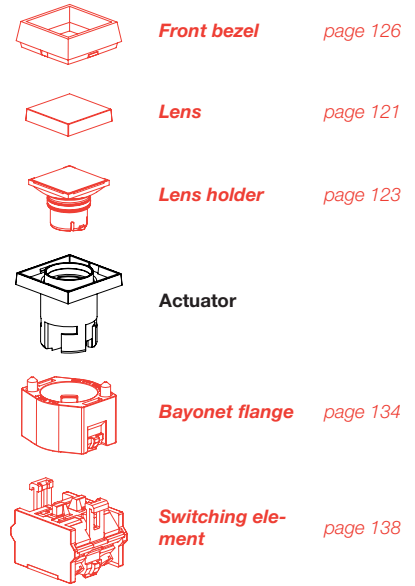
Additional Information

- For front dimension 30 x 30 mm
- Other terminal options from the part switching element see «Accessories»
- Max. 3 switching elements can be clipped on




Mounting cut-outs [mm]
PIT = Push-in terminal,
P3 = Plug-in terminal 6.3 x 0.8 mm,
P4 = Double plug-in terminal 6.3 x 0.8 mm,
X = Screw terminal

Equipment consisting of (schematic overview)

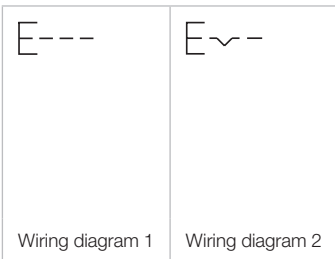


Each Part Number listed below includes all the black components shown in the 3D-drawing.

To obtain a complete unit, please select the red components from the pages shown.

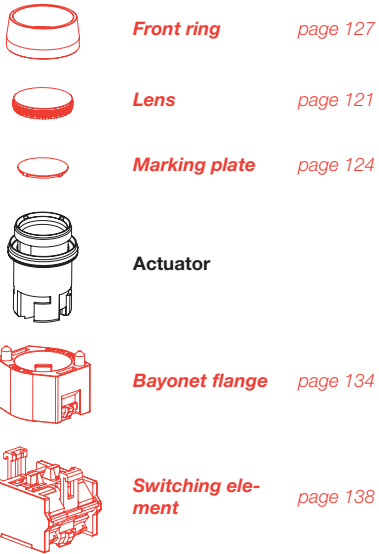
| Housing | Switching action | Part No. | Wiring diagram | Weight |
|---|-----------------------------------|------------------|----------------|----------|
|  | Pushbutton actuator square | | | |
| Plastic black | B | 704.731.0 | 1 | 0.020 kg |
| Plastic grey | B | 704.731.1 | 1 | 0.020 kg |
| Plastic black | C | 704.732.0 | 2 | 0.020 kg |
| Plastic grey | C | 704.732.1 | 2 | 0.020 kg |

Switching action : B = Momentary, C = Maintain



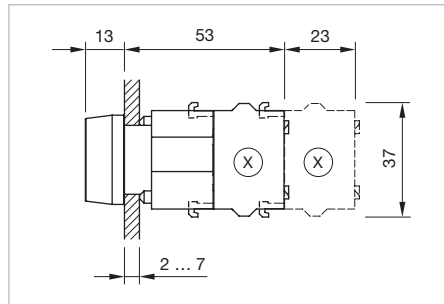
Pushbutton round, IP65

Equipment consisting of (schematic overview)

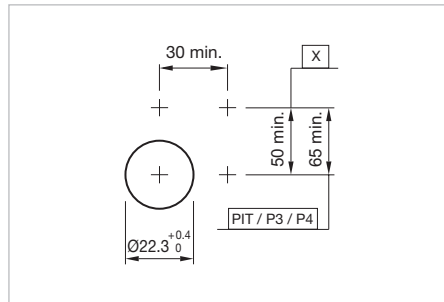


Each Part Number listed below includes all the black components shown in the 3D-drawing.

To obtain a complete unit, please select the red components from the pages shown.



Dimensions [mm]
X = Screw terminal




Mounting cut-outs [mm]
PIT = Push-in terminal,
P3 = Plug-in terminal 6.3 x 0.8 mm,
P4 = Double plug-in terminal 6.3 x 0.8 mm,
X = Screw terminal



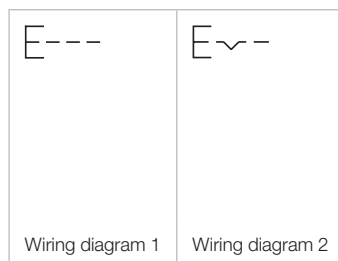
Product can differ from the current configuration.

Additional Information

- For front dimension \varnothing 29 mm
- Housing plastic grey
- Other terminal options from the part switching element see «Accessories»
- Max. 3 switching elements can be clipped on

| Switching action | Part No. | Wiring diagram | Weight |
|---|------------------|----------------|----------|
|  | | | |
| Pushbutton actuator round | | | |
| B | 704.631.1 | 1 | 0.009 kg |
| C | 704.632.1 | 2 | 0.009 kg |

Switching action : B = Momentary, C = Maintain

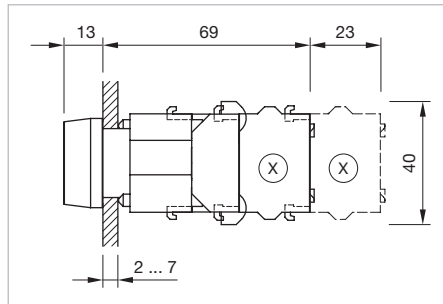


04 Raised design

Illuminated pushbutton



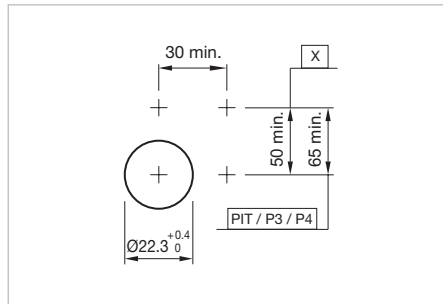
Product can differ from the current configuration.



Dimensions [mm]
X = Screw terminal

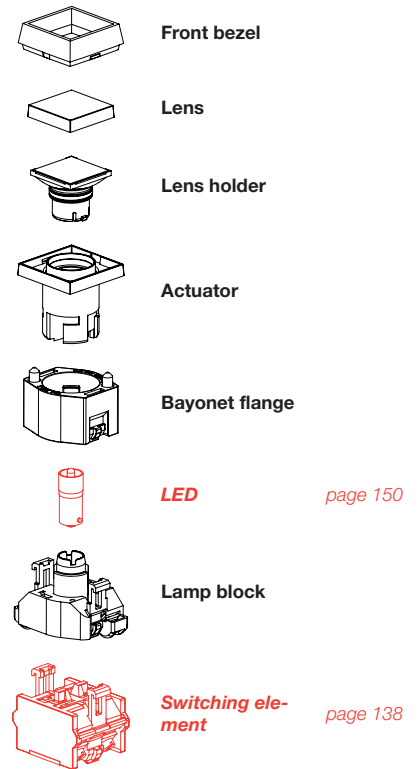
Additional Information

- Other terminal options from the part switching element see «Accessories»
- The lamp block will be delivered with screw terminal
- Frontring with protective cover to be mounted with a torque of 40 Ncm onto actuator
- Max. 3 switching elements can be clipped on
- The colour of anodized aluminium parts can vary due to technical production reasons



Mounting cut-outs [mm]
PIT = Push-in terminal,
P3 = Plug-in terminal 6.3 x 0.8 mm,
P4 = Double plug-in terminal 6.3 x 0.8 mm,
X = Screw terminal

Equipment consisting of (schematic overview)



Each Part Number listed below includes all the black components shown in the 3D-drawing.

To obtain a complete unit, please select the red components from the pages shown.

| Front protection | Housing | Front ring | Front bezel | Lens | Switching action | Part No. | Wiring diagram | Weight | |
|------------------|---------------|------------|--------------|--------------------|--------------------|------------------|------------------|----------|----------|
| | Plastic black | | Plastic grey | Plastic red | B | 704.230.2 | 1 | 0.056 kg | |
| | | | | Plastic yellow | B | 704.230.4 | 1 | 0.056 kg | |
| | | | | Plastic green | B | 704.230.5 | 1 | 0.056 kg | |
| | | | | Plastic blue | B | 704.230.6 | 1 | 0.056 kg | |
| | | | | Plastic colourless | B | 704.230.7 | 1 | 0.056 kg | |
| | | | | Plastic black | Plastic red | B | 704.229.2 | 1 | 0.056 kg |
| | | | | | Plastic yellow | B | 704.229.4 | 1 | 0.056 kg |
| | | | | | Plastic green | B | 704.229.5 | 1 | 0.056 kg |
| | | | | | Plastic blue | B | 704.229.6 | 1 | 0.056 kg |
| | | | | | Plastic colourless | B | 704.229.7 | 1 | 0.056 kg |
| | | | | Plastic grey | Plastic red | C | 704.260.2 | 2 | 0.056 kg |
| | | | | | Plastic yellow | C | 704.260.4 | 2 | 0.056 kg |
| | | | | | Plastic green | C | 704.260.5 | 2 | 0.056 kg |
| | | | | | Plastic blue | C | 704.260.6 | 2 | 0.056 kg |
| | | | | | Plastic colourless | C | 704.260.7 | 2 | 0.056 kg |

| Front protection | Housing | Front ring | Front bezel | Lens | Switching action | Part No. | Wiring diagram | Weight |
|------------------|---------------|------------|---------------|--------------------|------------------|------------------|----------------|----------|
| IP65 | Plastic black | | Plastic black | Plastic red | C | 704.259.2 | 2 | 0.056 kg |
| | | | | Plastic yellow | C | 704.259.4 | 2 | 0.056 kg |
| | | | | Plastic green | C | 704.259.5 | 2 | 0.056 kg |
| | | | | Plastic blue | C | 704.259.6 | 2 | 0.056 kg |
| | | | | Plastic colourless | C | 704.259.7 | 2 | 0.056 kg |



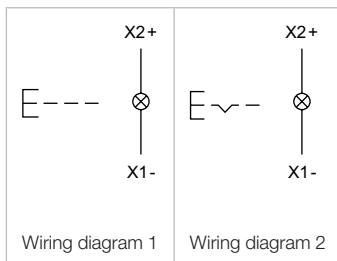
Illuminated pushbutton actuator, Front dimension Ø 29 mm

| | | | | | | | | | | |
|--------------------|--------------|--|--|--------------------|---|--------------------|---|------------------|---|----------|
| IP65 | Plastic grey | Plastic grey | | Plastic red | B | 704.030.2 | 1 | 0.056 kg | | |
| | | | | Plastic yellow | B | 704.030.4 | 1 | 0.056 kg | | |
| | | | | Plastic green | B | 704.030.5 | 1 | 0.056 kg | | |
| | | | | Plastic blue | B | 704.030.6 | 1 | 0.056 kg | | |
| | | | | Plastic colourless | B | 704.030.7 | 1 | 0.056 kg | | |
| | | Plastic black | | | | Plastic red | B | 704.029.2 | 1 | 0.056 kg |
| | | | | | | Plastic yellow | B | 704.029.4 | 1 | 0.056 kg |
| | | | | | | Plastic green | B | 704.029.5 | 1 | 0.056 kg |
| | | | | | | Plastic blue | B | 704.029.6 | 1 | 0.056 kg |
| | | | | | | Plastic colourless | B | 704.029.7 | 1 | 0.056 kg |
| | | Plastic grey | | | | Plastic red | C | 704.060.2 | 2 | 0.056 kg |
| | | | | | | Plastic yellow | C | 704.060.4 | 2 | 0.056 kg |
| | | | | | | Plastic green | C | 704.060.5 | 2 | 0.056 kg |
| | | | | | | Plastic blue | C | 704.060.6 | 2 | 0.056 kg |
| | | | | | | Plastic colourless | C | 704.060.7 | 2 | 0.056 kg |
| | | Plastic black | | | | Plastic red | C | 704.059.2 | 2 | 0.056 kg |
| | | | | | | Plastic yellow | C | 704.059.4 | 2 | 0.056 kg |
| | | | | | | Plastic green | C | 704.059.5 | 2 | 0.056 kg |
| | | | | | | Plastic colourless | C | 704.059.7 | 2 | 0.056 kg |
| | | Aluminium natural anodized | | | | Plastic red | B | 704.032.2 | 1 | 0.056 kg |
| | | | | | | Plastic yellow | B | 704.032.4 | 1 | 0.056 kg |
| | | | | | | Plastic green | B | 704.032.5 | 1 | 0.056 kg |
| | | | | | | Plastic blue | B | 704.032.6 | 1 | 0.056 kg |
| | | | | | | Plastic colourless | B | 704.032.7 | 1 | 0.056 kg |
| | | Aluminium natural anodized with protective cap | | | | Plastic red | B | 704.033.2 | 1 | 0.056 kg |
| | | | | | | Plastic yellow | B | 704.033.4 | 1 | 0.056 kg |
| | | | | | | Plastic green | B | 704.033.5 | 1 | 0.056 kg |
| | | | | | | Plastic blue | B | 704.033.6 | 1 | 0.056 kg |
| | | | | | | Plastic colourless | B | 704.033.7 | 1 | 0.056 kg |
| | | Aluminium natural anodized | | | | Plastic red | C | 704.062.2 | 2 | 0.056 kg |
| Plastic yellow | C | | | | | 704.062.4 | 2 | 0.056 kg | | |
| Plastic green | C | | | | | 704.062.5 | 2 | 0.056 kg | | |
| Plastic blue | C | | | | | 704.062.6 | 2 | 0.056 kg | | |
| Plastic colourless | C | | | | | 704.062.7 | 2 | 0.056 kg | | |

04 Raised design

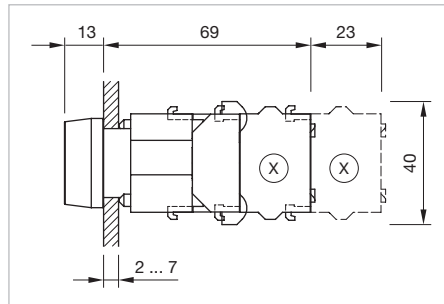
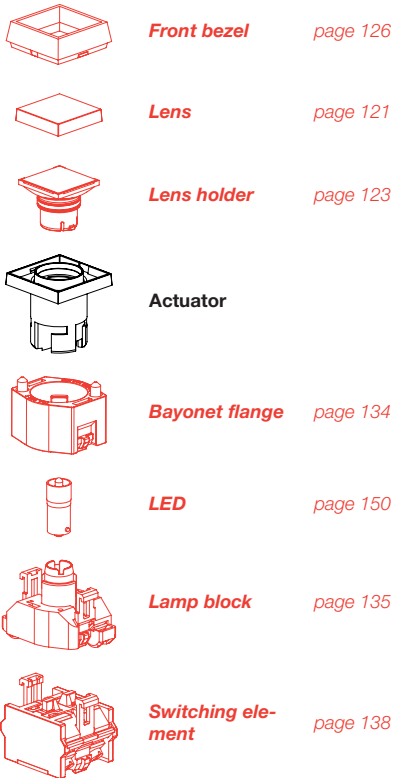
| Front protection | Housing | Front ring | Front bezel | Lens | Switching action | Part No. | Wiring diagram | Weight |
|------------------|--------------|--|-------------|--------------------|------------------|------------------|----------------|----------|
| IP 67 | Plastic grey | Aluminium natural anodized with protective cap | | Plastic red | C | 704.063.2 | 2 | 0.056 kg |
| | | | | Plastic yellow | C | 704.063.4 | 2 | 0.056 kg |
| | | | | Plastic green | C | 704.063.5 | 2 | 0.056 kg |
| | | | | Plastic blue | C | 704.063.6 | 2 | 0.056 kg |
| | | | | Plastic colourless | C | 704.063.7 | 2 | 0.056 kg |

Switching action : B = Momentary, C = Maintain



Illuminated pushbutton square, IP65

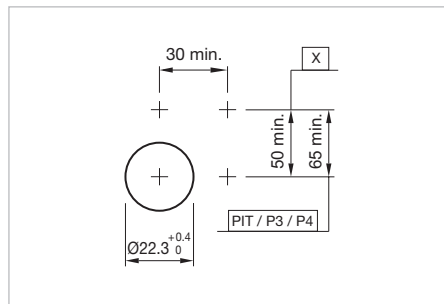
Equipment consisting of (schematic overview)



Dimensions [mm]
X = Screw terminal



Product can differ from the current configuration.




Mounting cut-outs [mm]
PIT = Push-in terminal,
P3 = Plug-in terminal 6.3 x 0.8 mm,
P4 = Double plug-in terminal 6.3 x 0.8 mm,
X = Screw terminal

Additional Information

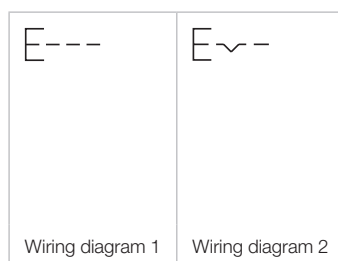
- For front dimension 30 x 30 mm
- Other terminal options from the parts switching element and lamp block see «Accessories»
- Max. 3 switching elements can be clipped on

Each Part Number listed below includes all the black components shown in the 3D-drawing.

To obtain a complete unit, please select the red components from the pages shown.

| Housing | Switching action | Part No. | Wiring diagram | Weight |
|---|---|------------------|----------------|----------|
|  | Illuminated pushbutton actuator square | | | |
| Plastic black | B | 704.731.0 | 1 | 0.020 kg |
| Plastic grey | B | 704.731.1 | 1 | 0.020 kg |
| | C | 704.732.1 | 2 | 0.020 kg |
| Plastic black | C | 704.732.0 | 2 | 0.020 kg |

Switching action : B = Momentary, C = Maintain

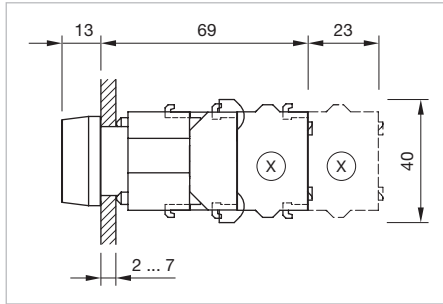


04 Raised design

Illuminated pushbutton round, IP65



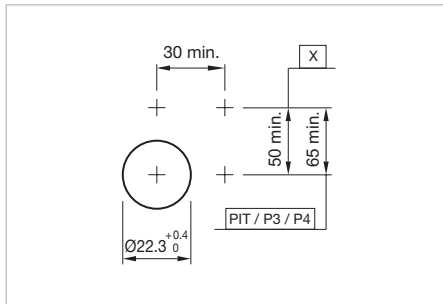
Product can differ from the current configuration.



Dimensions [mm]
X = Screw terminal

Additional Information

- For front dimension $\varnothing 29$ mm
- Lens flat or raised possible; equal choose marking plate or marking cap
- Lens metal with spot possible
- Housing plastic grey
- Other terminal options from the parts switching element and lamp block see «Accessories»
- Max. 3 switching elements can be clipped on



Mounting cut-outs [mm]
PIT = Push-in terminal,
P3 = Plug-in terminal 6.3 x 0.8 mm,
P4 = Double plug-in terminal 6.3 x 0.8 mm,
X = Screw terminal

Equipment consisting of (schematic overview)



Front ring page 127



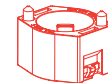
Lens page 121



Marking plate page 124



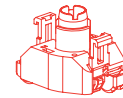
Actuator



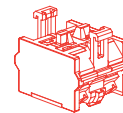
Bayonet flange page 134



LED page 150




Lamp block page 135



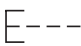
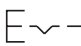
Switching element page 138

Each Part Number listed below includes all the black components shown in the 3D-drawing.

To obtain a complete unit, please select the red components from the pages shown.

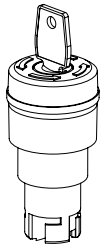
| Switching action | Part No. | Wiring diagram | Weight |
|---|------------------|----------------|----------|
|  <p>Illuminated pushbutton actuator round</p> | 704.631.1 | 1 | 0.009 kg |
| | 704.632.1 | 2 | 0.009 kg |

Switching action : B = Momentary, C = Maintain

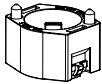
| | |
|---|---|
|  |  |
| Wiring diagram 1 | Wiring diagram 2 |

Emergency-stop switch, foolproof EN IEC 60947-5-5, IP65

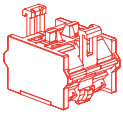
Equipment consisting of (schematic overview)



Actuator



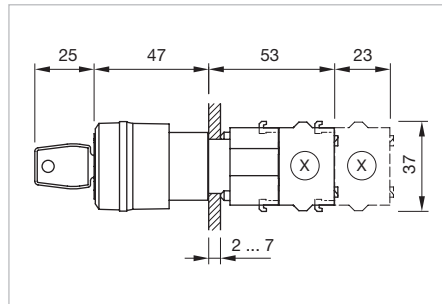
Bayonet flange



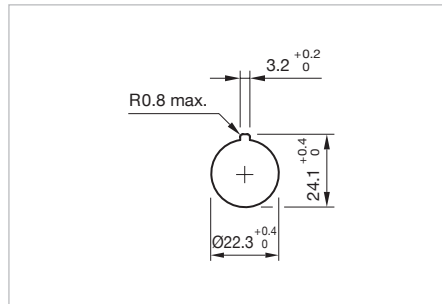
Switching element *page 138*

Each Part Number listed below includes all the black components shown in the 3D-drawing.

To obtain a complete unit, please select the red components from the pages shown.



Dimensions [mm]
X = Screw terminal





Mounting cut-outs [mm]



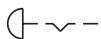
Product can differ from the current configuration.

Additional Information

- Other terminal options from the part switching element see «Accessories»
- Shaft yellow
- Lock type Euro-Locks 9500
- Two keys are supplied with each key lock switch
- Max. 2 slow-make elements can be clipped on
- Application as per DIN EN ISO 13850 and EN 60204-1

| Product attribute | Lens | Marking | Switching action | Part No. | Wiring diagram | Weight |
|--|-------------|---------|------------------|------------|----------------|----------|
|  | | | | | | |
| Emergency-stop switch actuator, foolproof EN IEC 60947-5-5, Front dimension Ø 37 mm | | | | | | |
| Twist to unlock anti-clockwise | Plastic red | Arrows | C | 704.064.2A | 1 | 0.300 kg |
|  | | | | | | |
| Emergency-stop switch actuator, foolproof EN IEC 60947-5-5, Front dimension Ø 37 mm | | | | | | |
| Key to unlock anti-clockwise | Plastic red | Arrows | C | 704.066.2A | 1 | 0.300 kg |

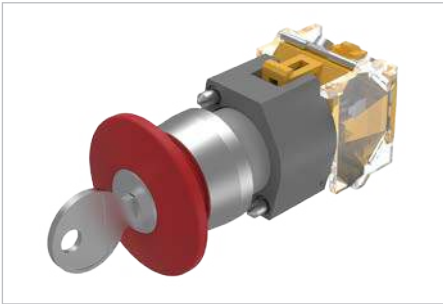
Switching action : C = Maintain



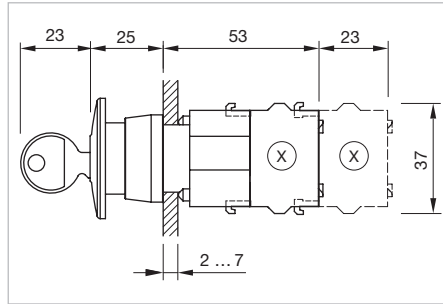
Wiring diagram 1

04 Raised design

Stop switch, IP65



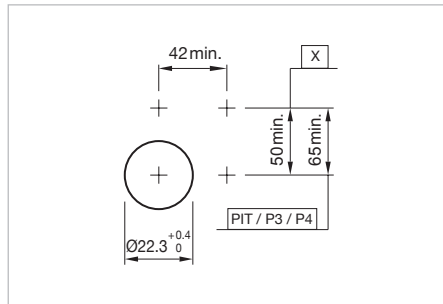
Product can differ from the current configuration.



Dimensions [mm]
X = Screw terminal

Additional Information

- The colour of anodized aluminium parts can vary due to technical production reasons
- Other terminal options from the part switching element see «Accessories»
- The standard lock Ronis 251
- Two keys are supplied with each key lock switch
- Max. 3 switching elements can be clipped on

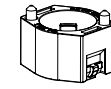


Mounting cut-outs [mm]
PIT = Push-in terminal,
P3 = Plug-in terminal 6.3 x 0.8 mm,
P4 = Double plug-in terminal 6.3 x 0.8 mm,
X = Screw terminal

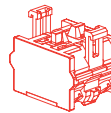
Equipment consisting of (schematic overview)



Actuator



Bayonet flange







Switching element

page 138

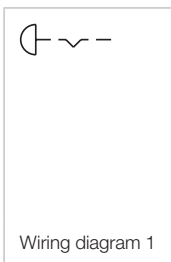
Each Part Number listed below includes all the black components shown in the 3D-drawing.

To obtain a complete unit, please select the red components from the pages shown.

| Product attribute | Front ring | Lens | Marking | Switching action | Part No. | Wiring diagram | Weight |
|---|----------------------------|----------------------------|---------|------------------|------------------|----------------|----------|
|  <p>Stop switch actuator, Front dimension Ø 40 mm</p> | | | | | | | |
| Twist to unlock clockwise | Plastic grey | Plastic red | Arrows | C | 704.074.2 | 1 | 0.047 kg |
| | Aluminium natural anodized | | Stop | C | 704.074.3 | 1 | 0.047 kg |
| Twist to unlock clockwise | | Aluminium natural anodized | Arrows | C | 704.075.2 | 1 | 0.047 kg |
| | – | | C | 704.075.3 | 1 | 0.047 kg | |
|  <p>Stop switch actuator, Front dimension Ø 40 mm</p> | | | | | | | |
| Key to unlock clockwise | Plastic grey | Plastic red | without | C | 704.076.0 | 1 | 0.063 kg |
| | Aluminium natural anodized | | without | C | 704.078.0 | 1 | 0.063 kg |

| Product attribute | Lens | Marking | Switching action | Part No. | Wiring diagram | Weight |
|---|-------------|---------|------------------|------------------|----------------|----------|
|  <p>Stop switch actuator, Front dimension Ø 37 mm</p> | | | | | | |
| Twist to unlock anti-clockwise | Plastic red | Arrows | C | 704.064.2 | 1 | 0.300 kg |
|  <p>Stop switch actuator, Front dimension Ø 37 mm</p> | | | | | | |
| Key to unlock anti-clockwise | Plastic red | Arrows | C | 704.066.2 | 1 | 0.300 kg |

Switching action : C = Maintain

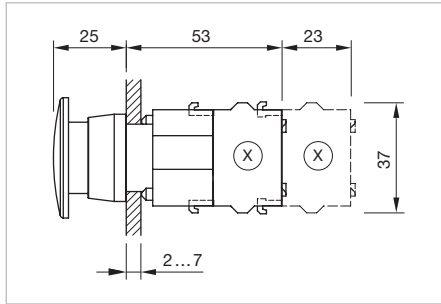


04 Raised design

Mushroom-head pushbutton, IP65

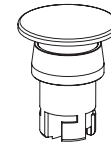


Product can differ from the current configuration.

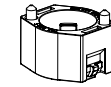


Dimensions [mm]
X = Screw terminal

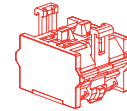
Equipment consisting of (schematic overview)



Actuator



Bayonet flange

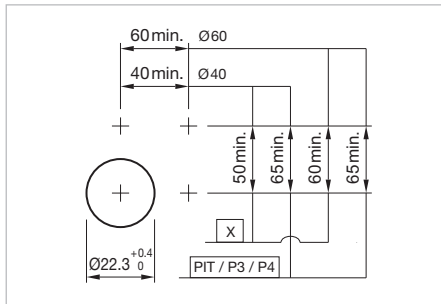


Switching element

page 138

Additional Information


- Other terminal options from the part switching element see «Accessories»
- The colour of anodized aluminium parts can vary due to technical production reasons
- Max. 3 switching elements can be clipped on




Mounting cut-outs [mm]
PIT = Push-in terminal,
P3 = Plug-in terminal 6.3 x 0.8 mm,
P4 = Double plug-in terminal 6.3 x 0.8 mm,
X = Screw terminal

Each Part Number listed below includes all the black components shown in the 3D-drawing.

To obtain a complete unit, please select the red components from the pages shown.

| Front ring | Lens | Switching action | Part No. | Wiring diagram | Weight |
|--|----------------|------------------|------------------|----------------|----------|
|  <p>Mushroom-head pushbutton actuator, Front dimension Ø 40 mm</p> | | | | | |
| Plastic grey | Plastic black | B | 704.070.0 | 1 | 0.044 kg |
| | Plastic red | B | 704.070.2 | 1 | 0.044 kg |
| | Plastic yellow | B | 704.070.4 | 1 | 0.044 kg |
| | Plastic green | B | 704.070.5 | 1 | 0.044 kg |
| Aluminium natural anodized | Plastic black | B | 704.071.0 | 1 | 0.044 kg |
| | Plastic red | B | 704.071.2 | 1 | 0.044 kg |
| | Plastic yellow | B | 704.071.4 | 1 | 0.044 kg |
| | Plastic green | B | 704.071.5 | 1 | 0.044 kg |
| Plastic grey | Plastic black | C | 704.072.0 | 2 | 0.044 kg |
| | Plastic red | C | 704.072.2 | 2 | 0.044 kg |
| Aluminium natural anodized | Plastic black | C | 704.073.0 | 2 | 0.044 kg |
| | Plastic red | C | 704.073.2 | 2 | 0.044 kg |
| | Plastic yellow | C | 704.073.4 | 2 | 0.044 kg |
| | Plastic green | C | 704.073.5 | 2 | 0.044 kg |

| Front ring | Lens | Switching action | Part No. | Wiring diagram | Weight |
|--|------------------------|------------------|-------------------|----------------|----------|
|  <p>Mushroom-head pushbutton actuator, Front dimension Ø 60 mm</p> | | | | | |
| Aluminium natural anodized | Aluminium red anodized | B | 704.079.2 | 1 | 0.060 kg |
| | | C | 704.075.2I | 2 | 0.069 kg |

Switching action : B = Momentary, C = Maintain

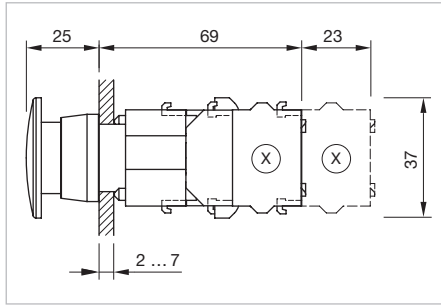
| | |
|------------------|------------------|
| E--- | E~-- |
| Wiring diagram 1 | Wiring diagram 2 |

04 Raised design

Illuminated mushroom head pushbutton, IP65



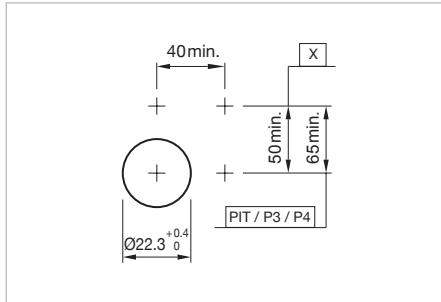
Product can differ from the current configuration.



Dimensions [mm]
X = Screw terminal

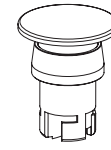
Additional Information

- The lamp block will be delivered with screw terminal
- Other terminal options from the part switching element see «Accessories»
- Max. 3 switching elements can be clipped on

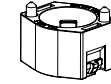


Mounting cut-outs [mm]
PIT = Push-in terminal,
P3 = Plug-in terminal 6.3 x 0.8 mm,
P4 = Double plug-in terminal 6.3 x 0.8 mm,
X = Screw terminal

Equipment consisting of (schematic overview)



Actuator

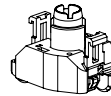


Bayonet flange

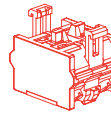


LED

page 150



Lamp block




Switching element

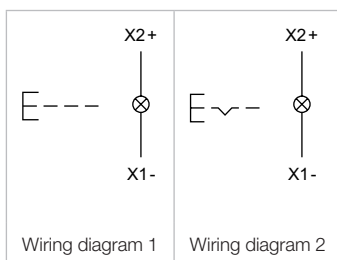
page 138

Each Part Number listed below includes all the black components shown in the 3D-drawing.

To obtain a complete unit, please select the red components from the pages shown.

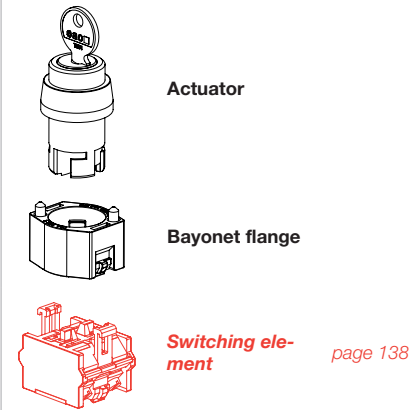
| Front ring | Lens | Switching action | Part No. | Wiring diagram | Weight |
|--|--------------------|------------------|------------------|----------------|----------|
|  Mushroom-head pushbutton actuator illuminated, Front dimension \varnothing 40 mm | | | | | |
| Plastic grey | Plastic red | B | 704.084.2 | 1 | 0.044 kg |
| | Plastic yellow | B | 704.084.4 | 1 | 0.044 kg |
| | Plastic green | B | 704.084.5 | 1 | 0.044 kg |
| | Plastic blue | B | 704.084.6 | 1 | 0.044 kg |
| | Plastic colourless | B | 704.084.7 | 1 | 0.044 kg |
| | Plastic red | C | 704.086.2 | 2 | 0.044 kg |
| | Plastic yellow | C | 704.086.4 | 2 | 0.044 kg |
| | Plastic green | C | 704.086.5 | 2 | 0.044 kg |

Switching action : B = Momentary, C = Maintain



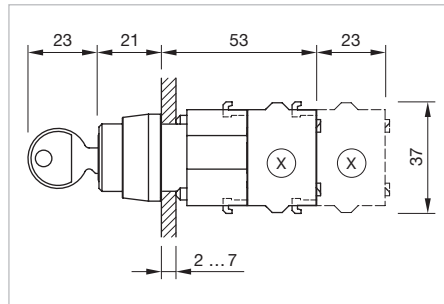
Keylock switch 2 positions, IP65

Equipment consisting of (schematic overview)



Each Part Number listed below includes all the black components shown in the 3D-drawing.

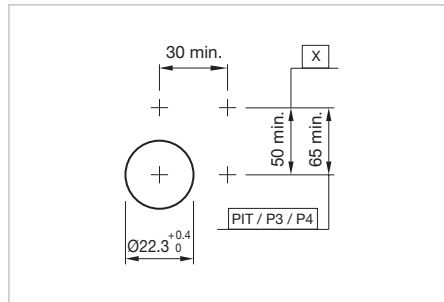
To obtain a complete unit, please select the red components from the pages shown.



Dimensions [mm]
X = Screw terminal



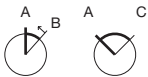
Product can differ from the current configuration.




Mounting cut-outs [mm]
PIT = Push-in terminal,
P3 = Plug-in terminal 6.3 x 0.8 mm,
P4 = Double plug-in terminal 6.3 x 0.8 mm,
X = Screw terminal

Additional Information


- Other terminal options from the part switching element see «Accessories»
- The standard lock Ronis 251
- Two keys are supplied with each key lock switch
- Further lock numbers see «Technical data»
- Max. 3 switching elements can be clipped on



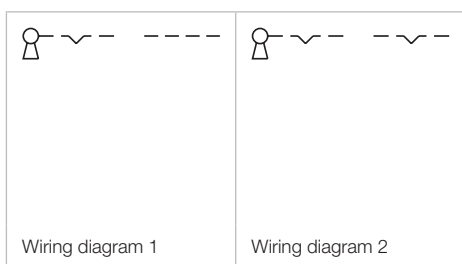
Switching positions (A = Rest, B = Momentary, C = Maintained)

| Front ring | Front bezel | Switching action | Switching angle | Key remove | Part No. | Wiring diagram | Weight |
|---|--------------|------------------|-----------------|------------|------------------|----------------|----------|
|  <p>Keylock switch actuator 2 positions, Front dimension 30 x 30 mm</p> | Plastic grey | A - B | B = 42° | A | 704.343.0 | 1 | 0.070 kg |
| | | A - C | C = 90° | C | 704.340.0 | 2 | 0.070 kg |
| | | | | A | 704.341.0 | 2 | 0.070 kg |
| | | | | A + C | 704.342.0 | 2 | 0.070 kg |
| | | | | | | | |

04 Raised design

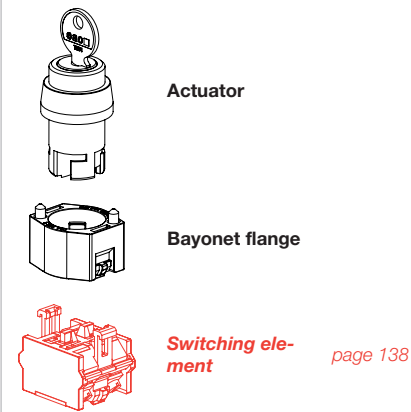
| Front ring | Front bezel | Switching action | Switching angle | Key remove | Part No. | Wiring diagram | Weight |
|---|-------------|------------------|-----------------|------------|------------------|----------------|----------|
|  <p>Keylock switch actuator 2 positions, Front dimension Ø 29 mm</p> | | | | | | | |
| Aluminium chrome | | A - B | B = 42° | A | 704.123.0 | 1 | 0.070 kg |
| | | A - C | C = 90° | C | 704.120.0 | 2 | 0.070 kg |
| | | | | A | 704.121.0 | 2 | 0.070 kg |
| | | | | A + C | 704.122.0 | 2 | 0.070 kg |

Switching action : A = Rest, B = Momentary, C = Maintain



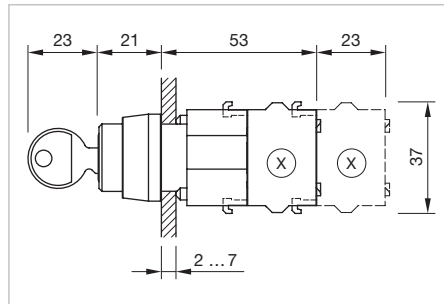
Keylock switch 3 positions, IP65

Equipment consisting of (schematic overview)



Each Part Number listed below includes all the black components shown in the 3D-drawing.

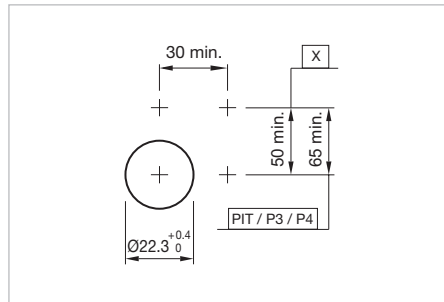
To obtain a complete unit, please select the red components from the pages shown.



Dimensions [mm]
X = Screw terminal



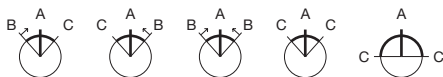
Product can differ from the current configuration.




Mounting cut-outs [mm]
PIT = Push-in terminal,
P3 = Plug-in terminal 6.3 x 0.8 mm,
P4 = Double plug-in terminal 6.3 x 0.8 mm,
X = Screw terminal

Additional Information


- Other terminal options from the part switching element see «Accessories»
- The standard lock Ronis 251
- Two keys are supplied with each key lock switch
- Further lock numbers see «Technical data»
- Max. 3 switching elements can be clipped on





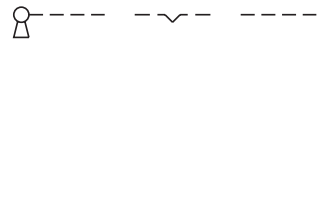

Switching positions (A = Rest, B = Momentary, C = Maintained)

| Front ring | Front bezel | Switching action | Switching angle | Key remove | Part No. | Wiring diagram | Weight | |
|---|--------------|------------------|------------------|------------|------------------|------------------|----------|----------|
|  <p>Keylock switch actuator 3 positions, Front dimension 30 x 30 mm</p> | Plastic grey | C - A - B | C = 42°, B = 42° | C | 704.337.0 | 2 | 0.070 kg | |
| | | | | | C + A | 704.344.0 | 2 | 0.070 kg |
| | | B - A - B | B = 42° / 42° | A | 704.335.0 | 3 | 0.070 kg | |
| | | C - A - C | C = 42° / 42° | A | 704.334.0 | 4 | 0.070 kg | |
| | | | C = 90° / 90° | C + A + C | 704.333.0 | 4 | 0.070 kg | |

04 Raised design

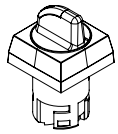
| Front ring | Front bezel | Switching action | Switching angle | Key remove | Part No. | Wiring diagram | Weight |
|---|-------------|------------------|------------------|---------------|------------------|------------------|----------|
|  <p>Keylock switch actuator 3 positions, Front dimension Ø 29 mm</p> | | | | | | | |
| Aluminium chrome | | B - A - C | B = 42°, C = 42° | A | 704.118.0 | 1 | 0.070 kg |
| | | C - A - B | C = 42°, B = 42° | C | 704.117.0 | 2 | 0.070 kg |
| | | | | C + A | 704.124.0 | 2 | 0.070 kg |
| | | B - A - B | B = 42° / 42° | A | 704.115.0 | 3 | 0.070 kg |
| | | C - A - C | C = 42° / 42° | A | 704.114.0 | 4 | 0.070 kg |
| | | | | C + C | 704.116.0 | 4 | 0.070 kg |
| | | | | C = 90° / 90° | C + A + C | 704.113.0 | 4 |

Switching action : A = Rest, B = Momentary, C = Maintain

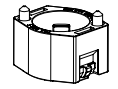
| | | | |
|--|---|--|---|
|  |  |  |  |
| Wiring diagram 1 | Wiring diagram 2 | Wiring diagram 3 | Wiring diagram 4 |

Selector switch actuator illuminated, 2 positions short lever, IP65

Equipment consisting of (schematic overview)



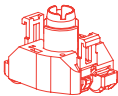
Actuator



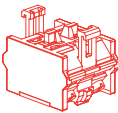
Bayonet flange



LED *page 150*



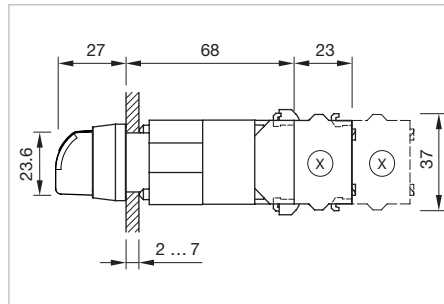
Lamp block *page 135*



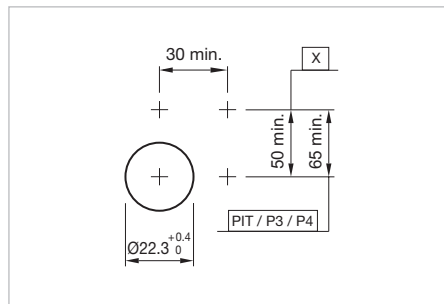
Switching element *page 138*

Each Part Number listed below includes all the black components shown in the 3D-drawing.

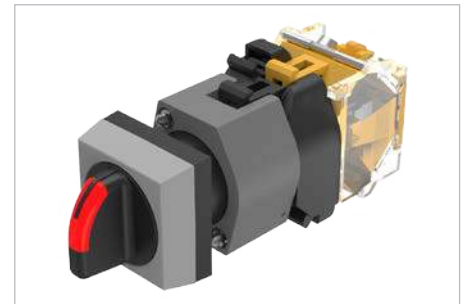
To obtain a complete unit, please select the red components from the pages shown.



Dimensions [mm]
X = Screw terminal



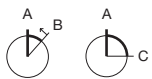
Mounting cut-outs [mm]
PIT = Push-in terminal,
P3 = Plug-in terminal 6.3 x 0.8 mm,
P4 = Double plug-in terminal 6.3 x 0.8 mm,
X = Screw terminal




Product can differ from the current configuration.

Additional Information


- Other terminal options from the part switching element see «Accessories»
- The colour of anodized aluminium parts can vary due to technical production reasons
- Max. 3 switching elements can be clipped on



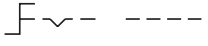
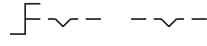
Switching positions (A = Rest, B = Momentary, C = Maintained)

| Lever | Front ring | Front bezel | Switching action | Switching angle | Part No. | Wiring diagram | Weight |
|---|------------|--------------|------------------|-----------------|-------------------|----------------|----------|
|  Selector switch actuator illuminated, 2 positions, short lever, Front dimension 30 x 30 mm | | | | | | | |
| Plastic black | | Plastic grey | A - B | B = 42° | 704.512.0I | 1 | 0.034 kg |
| | | | A - C | C = 90° | 704.510.0I | 2 | 0.034 kg |

04 Raised design

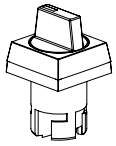
| Lever | Front ring | Front bezel | Switching action | Switching angle | Part No. | Wiring diagram | Weight |
|---|----------------------------|-------------|------------------|-----------------|-------------------|----------------|----------|
|  <p>Selector switch actuator illuminated, 2 positions, short lever, Front dimension Ø 29 mm</p> | | | | | | | |
| Plastic black | Plastic grey | | A - C | C = 90° | 704.410.01 | 2 | 0.034 kg |
| | Aluminium natural anodized | | A - C | C = 90° | 704.411.01 | 2 | 0.037 kg |
| | Plastic grey | | A - B | B = 42° | 704.412.01 | 1 | 0.034 kg |
| | Aluminium natural anodized | | A - B | B = 42° | 704.413.01 | 1 | 0.037 kg |

Switching action : A = Rest, B = Momentary, C = Maintain

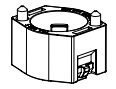
| | |
|---|---|
|  |  |
| Wiring diagram 1 | Wiring diagram 2 |

Selector switch actuator 2 positions short lever, IP65

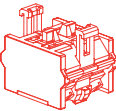
Equipment consisting of (schematic overview)



Actuator



Bayonet flange

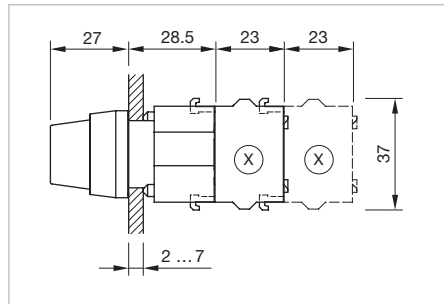


Switching element

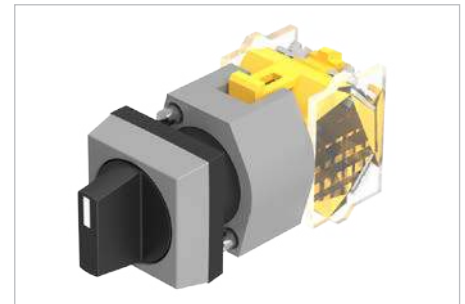
page 138

Each Part Number listed below includes all the black components shown in the 3D-drawing.

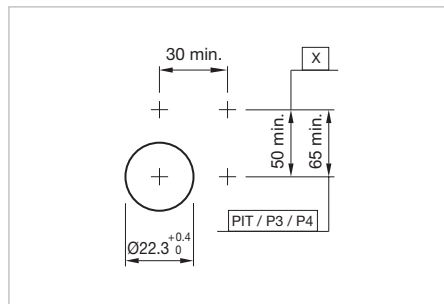
To obtain a complete unit, please select the red components from the pages shown.



Dimensions [mm]
X = Screw terminal



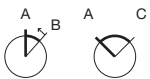
Product can differ from the current configuration.




Mounting cut-outs [mm]
PIT = Push-in terminal,
P3 = Plug-in terminal 6.3 x 0.8 mm,
P4 = Double plug-in terminal 6.3 x 0.8 mm,
X = Screw terminal

Additional Information


- Other terminal options from the part switching element see «Accessories»
- The colour of anodized aluminium parts can vary due to technical production reasons
- Max. 3 switching elements can be clipped on



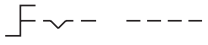
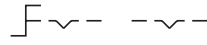
Switching positions (A = Rest, B = Momentary, C = Maintained)

| Lever | Front ring | Front bezel | Switching action | Switching angle | Part No. | Wiring diagram | Weight |
|---|------------|--------------|------------------|-----------------|------------------|----------------|----------|
|  <p>Selector switch actuator 2 positions, short lever, Front dimension 30 x 30 mm</p> | | | | | | | |
| Plastic black | | Plastic grey | A - B | B = 42° | 704.512.0 | 1 | 0.034 kg |
| | | | A - C | C = 90° | 704.510.0 | 2 | 0.034 kg |

04 Raised design

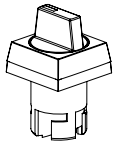
| Lever | Front ring | Front bezel | Switching action | Switching angle | Part No. | Wiring diagram | Weight |
|--|----------------------------|-------------|------------------|-----------------|------------------|----------------|----------|
|  <p>Selector switch actuator 2 positions, short lever, Front dimension Ø 29 mm</p> | | | | | | | |
| Plastic black | Plastic grey | | A - C | C = 90° | 704.410.0 | 2 | 0.034 kg |
| | Aluminium natural anodized | | A - C | C = 90° | 704.411.0 | 2 | 0.037 kg |
| | Plastic grey | | A - B | B = 42° | 704.412.0 | 1 | 0.034 kg |
| | Aluminium natural anodized | | A - B | B = 42° | 704.413.0 | 1 | 0.037 kg |

Switching action : A = Rest, B = Momentary, C = Maintain

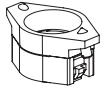
| | |
|---|---|
|  |  |
| Wiring diagram 1 | Wiring diagram 2 |

Selector switch 2 positions 12 o'clock short lever , IP65

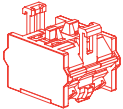
Equipment consisting of (schematic overview)



Actuator



Bayonet flange

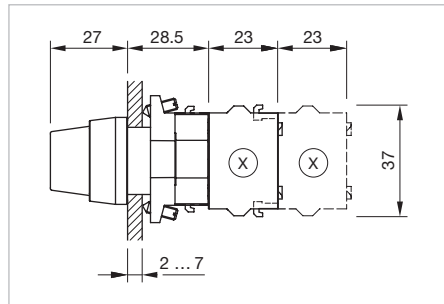


Switching element

page 138

Each Part Number listed below includes all the black components shown in the 3D-drawing.

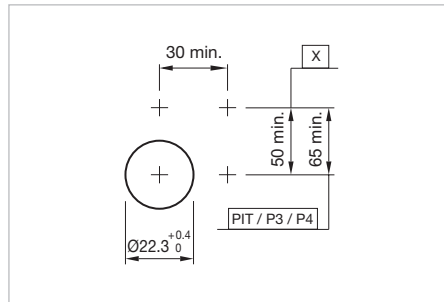
To obtain a complete unit, please select the red components from the pages shown.



Dimensions [mm]
X = Screw terminal



Product can differ from the current configuration.




Mounting cut-outs [mm]
PIT = Push-in terminal,
P3 = Plug-in terminal 6.3 x 0.8 mm,
P4 = Double plug-in terminal 6.3 x 0.8 mm,
X = Screw terminal

Additional Information


- Other terminal options from the part switching element see «Accessories»
- The colour of anodized aluminium parts can vary due to technical production reasons
- Max. 3 switching elements can be clipped on



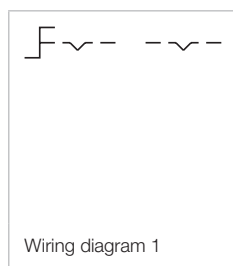
Switching positions (A = Rest, B = Momentary, C = Maintained)

| Lever | Front ring | Front bezel | Switching action | Switching angle | Part No. | Wiring diagram | Weight |
|---|------------|--------------|------------------|-----------------|---------------------|----------------|----------|
|  <p>Selector switch actuator 2 positions 12 o'clock, short lever , Front dimension 30 x 30 mm</p> | | | | | | | |
| Plastic black | | Plastic grey | A - C | C = 90° | 704.510.0.12 | 1 | 0.034 kg |

04 Raised design

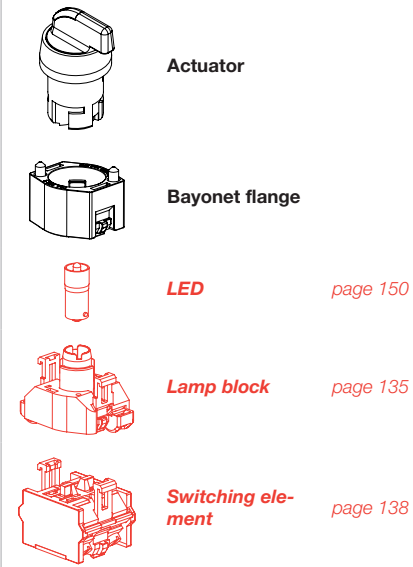
| Lever | Front ring | Front bezel | Switching action | Switching angle | Part No. | Wiring diagram | Weight |
|--|----------------------------|-------------|------------------|-----------------|----------------------|----------------|----------|
|  <p>Selector switch actuator 2 positions 12 o'clock, short lever , Front dimension Ø 29 mm</p> | | | | | | | |
| Plastic black | Plastic grey | | A - C | C = 90° | 704.410.0.12 | 1 | 0.034 kg |
| | Aluminium natural anodized | | A - C | C = 90° | 704.411.0.12 | 1 | 0.037 kg |
| | | | A - C | C = 90° | 704.411.0B.12 | 1 | 0.037 kg |

Switching action : A = Rest, C = Maintain



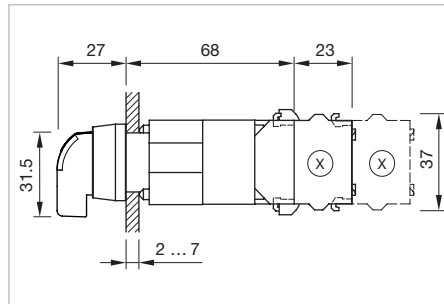
Selector switch illuminated, 2 positions, long lever, IP65

Equipment consisting of (schematic overview)

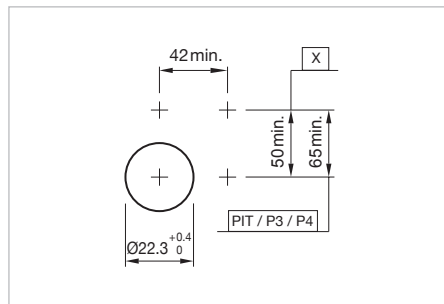


Each Part Number listed below includes all the black components shown in the 3D-drawing.

To obtain a complete unit, please select the red components from the pages shown.



Dimensions [mm]
X = Screw terminal



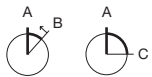
Mounting cut-outs [mm]
PIT = Push-in terminal,
P3 = Plug-in terminal 6.3 x 0.8 mm,
P4 = Double plug-in terminal 6.3 x 0.8 mm,
X = Screw terminal




Product can differ from the current configuration.

Additional Information


- Other terminal options from the part switching element see «Accessories»
- The colour of anodized aluminium parts can vary due to technical production reasons
- Max. 3 switching elements can be clipped on



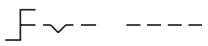
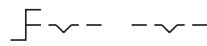
Switching positions (A = Rest, B = Momentary, C = Maintained)

| Lever | Front ring | Front bezel | Switching action | Switching angle | Part No. | Wiring diagram | Weight |
|---|---------------|--------------|------------------|-----------------|-------------------|----------------|----------|
|  <p>Selector switch actuator illuminated, 2 positions, long lever, Front dimension 30 x 30 mm</p> | Plastic black | Plastic grey | A - B | B = 42° | 704.302.0I | 1 | 0.034 kg |
| | | | A - C | C = 90° | 704.300.0I | 2 | 0.034 kg |

04 Raised design

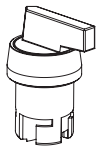
| Lever | Front ring | Front bezel | Switching action | Switching angle | Part No. | Wiring diagram | Weight |
|--|----------------------------|-------------|------------------|-----------------|-------------------|----------------|----------|
|  <p>Selector switch actuator illuminated, 2 positions, long lever, Front dimension Ø 29 mm</p> | | | | | | | |
| Plastic black | Plastic grey | | A - C | C = 90° | 704.100.01 | 2 | 0.034 kg |
| | Aluminium natural anodized | | A - C | C = 90° | 704.101.01 | 2 | 0.037 kg |
| | Plastic grey | | A - B | B = 42° | 704.102.01 | 1 | 0.034 kg |
| | Aluminium natural anodized | | A - B | B = 42° | 704.103.01 | 1 | 0.037 kg |

Switching action : A = Rest, B = Momentary, C = Maintain

| | |
|---|---|
|  |  |
| Wiring diagram 1 | Wiring diagram 2 |

Selector switch 2 positions long lever, IP65

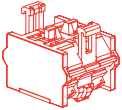
Equipment consisting of (schematic overview)



Actuator



Bayonet flange

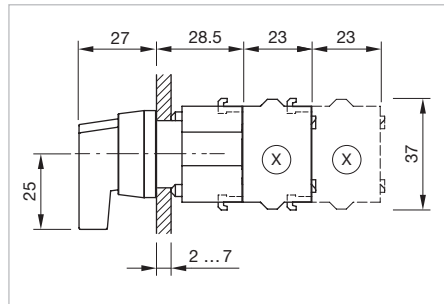


Switching element

page 138

Each Part Number listed below includes all the black components shown in the 3D-drawing.

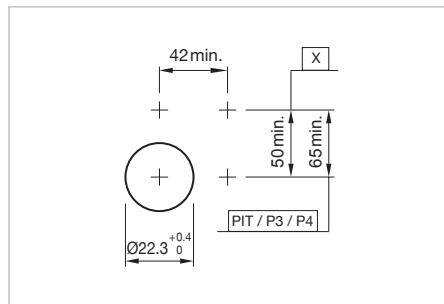
To obtain a complete unit, please select the red components from the pages shown.



Dimensions [mm]
X = Screw terminal



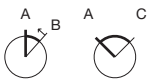
Product can differ from the current configuration.




Mounting cut-outs
PIT = Push-in terminal,
P3 = Plug-in terminal 6.3 x 0.8 mm,
P4 = Double plug-in terminal 6.3 x 0.8 mm,
X = Screw terminal

Additional Information


- Other terminal options from the part switching element see «Accessories»
- The colour of anodized aluminium parts can vary due to technical production reasons
- Max. 3 switching elements can be clipped on



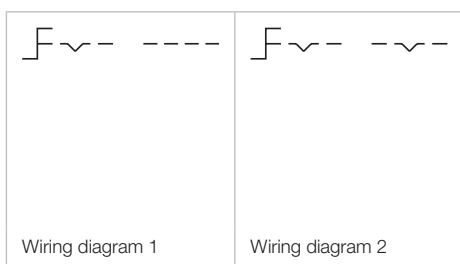
Switching positions (A = Rest, B = Momentary, C = Maintained)

| Lever | Front ring | Front bezel | Switching action | Switching angle | Part No. | Wiring diagram | Weight |
|--|---------------|--------------|------------------|-----------------|------------------|----------------|----------|
|  <p>Selector switch actuator 2 positions, long lever, Front dimension 30 x 30 mm</p> | Plastic black | Plastic grey | A - B | B = 42° | 704.302.0 | 1 | 0.034 kg |
| | | | A - C | C = 90° | 704.300.0 | 2 | 0.034 kg |

04 Raised design

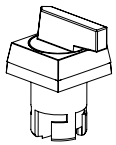
| Lever | Front ring | Front bezel | Switching action | Switching angle | Part No. | Wiring diagram | Weight |
|---|----------------------------|-------------|------------------|-----------------|------------------|----------------|----------|
|  <p>Selector switch actuator 2 positions, long lever, Front dimension Ø 29 mm</p> | | | | | | | |
| Plastic black | Plastic grey | | A - C | C = 90° | 704.100.0 | 2 | 0.034 kg |
| | Aluminium natural anodized | | A - C | C = 90° | 704.101.0 | 2 | 0.037 kg |
| | Plastic grey | | A - B | B = 42° | 704.102.0 | 1 | 0.034 kg |
| | Aluminium natural anodized | | A - B | B = 42° | 704.103.0 | 1 | 0.037 kg |

Switching action: A = Rest, B = Momentary, C = Maintained

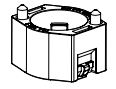


Selector switch 2 positions 12 o'clock long lever, IP65

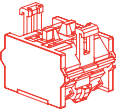
Equipment consisting of (schematic overview)



Actuator



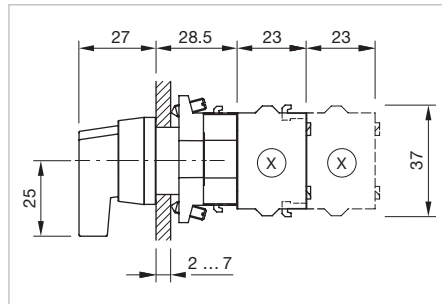
Bayonet flange



Switching element *page 138*

Each Part Number listed below includes all the black components shown in the 3D-drawing.

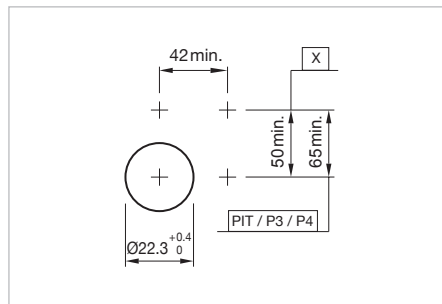
To obtain a complete unit, please select the red components from the pages shown.



Dimensions [mm]
X = Screw terminal



Product can differ from the current configuration.



Mounting cut-outs [mm]
PIT = Push-in terminal,
P3 = Plug-in terminal 6.3 x 0.8 mm,
P4 = Double plug-in terminal 6.3 x 0.8 mm,
X = Screw terminal

Additional Information

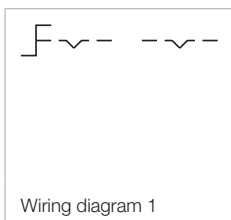
- Other terminal options from the part switching element see «Accessories»
- The colour of anodized aluminium parts can vary due to technical production reasons
- Max. 3 switching elements can be clipped on



Switching positions (A = Rest, B = Momentary, C = Maintained)

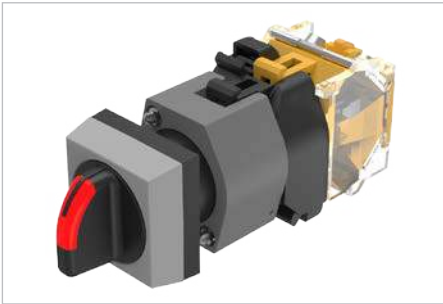
| Lever | Front ring | Front bezel | Switching action | Switching angle | Part No. | Wiring diagram | Weight |
|---------------|--|--------------|------------------|-----------------|---------------------|----------------|----------|
| | Selector switch actuator 2 positions 12 o'clock, long lever, Front dimension 30 x 30 mm | | | | | | |
| Plastic black | | Plastic grey | A - C | C = 90° | 704.300.0.12 | 1 | 0.034 kg |
| | Selector switch actuator 2 positions 12 o'clock, long lever, Front dimension Ø 29 mm | | | | | | |
| Plastic black | Plastic grey | | A - C | C = 90° | 704.100.0.12 | 1 | 0.034 kg |
| | Aluminium natural anodized | | A - C | C = 90° | 704.101.0.12 | 1 | 0.037 kg |

Switching action : A = Rest, C = Maintain

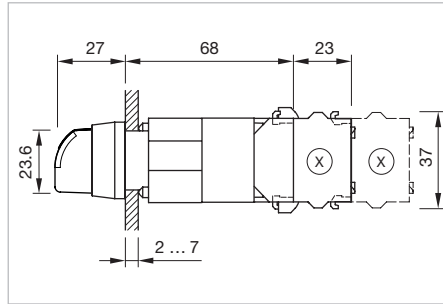


04 Raised design

Selector switch illuminated, 3 positions, short lever, IP65



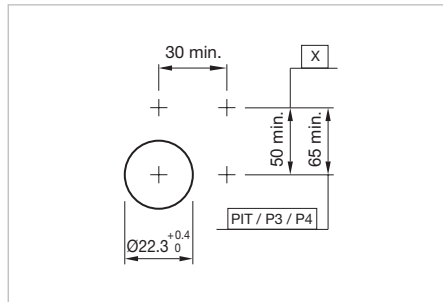
Product can differ from the current configuration.



Dimensions [mm]
X = Screw terminal

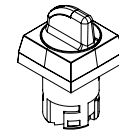
Additional Information

- Other terminal options from the part switching element see «Accessories»
- The colour of anodized aluminium parts can vary due to technical production reasons
- Max. 3 switching elements can be clipped on

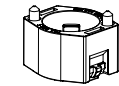


Mounting cut-outs [mm]
PIT = Push-in terminal,
P3 = Plug-in terminal 6.3 x 0.8 mm,
P4 = Double plug-in terminal 6.3 x 0.8 mm,
X = Screw terminal

Equipment consisting of (schematic overview)



Actuator

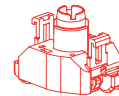


Bayonet flange



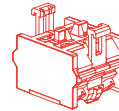
LED

page 150



Lamp block

page 135

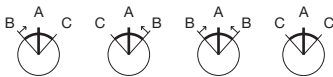


Switching element

page 138


Each Part Number listed below includes all the black components shown in the 3D-drawing.

To obtain a complete unit, please select the red components from the pages shown.

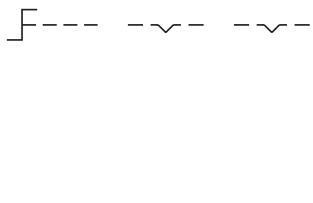
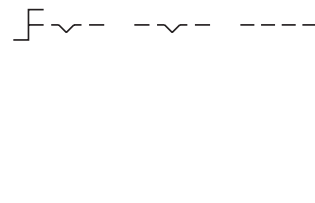
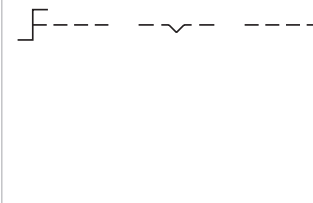
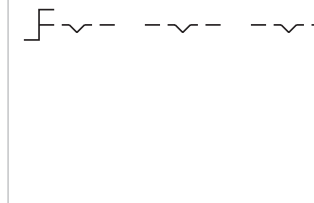


Switching positions (A = Rest, B = Momentary, C = Maintained)

| Lever | Front ring | Front bezel | Switching action | Switching angle | Part No. | Wiring diagram | Weight |
|-------|---|--------------|------------------|------------------|-------------------|----------------|----------|
| | Selector switch actuator illuminated, 3 positions, short lever, Front dimension 30 x 30 mm | | | | | | |
| | Plastic black | Plastic grey | C - A - C | C = 42° / 42° | 704.502.01 | 4 | 0.034 kg |
| | | | B - A - B | B = 42° / 42° | 704.504.01 | 3 | 0.034 kg |
| | | | C - A - B | C = 42°, B = 42° | 704.506.01 | 2 | 0.034 kg |
| | | | B - A - C | B = 42°, C = 42° | 704.508.01 | 1 | 0.034 kg |

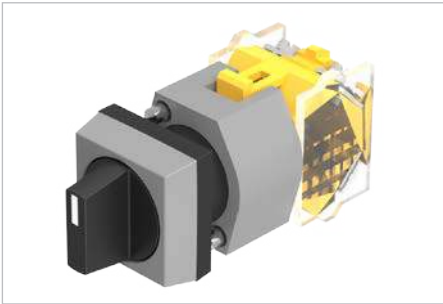
| Lever | Front ring | Front bezel | Switching action | Switching angle | Part No. | Wiring diagram | Weight |
|---|----------------------------|-------------|------------------|------------------|-------------------|----------------|----------|
|  <p>Selector switch actuator illuminated, 3 positions, short lever, Front dimension Ø 29 mm</p> | | | | | | | |
| Plastic black | Plastic grey | | C - A - C | C = 42° / 42° | 704.402.0I | 4 | 0.034 kg |
| | Aluminium natural anodized | | C - A - C | C = 42° / 42° | 704.403.0I | 4 | 0.037 kg |
| | Plastic grey | | B - A - B | B = 42° / 42° | 704.404.0I | 3 | 0.034 kg |
| | Aluminium natural anodized | | B - A - B | B = 42° / 42° | 704.405.0I | 3 | 0.037 kg |
| | Plastic grey | | C - A - B | C = 42°, B = 42° | 704.406.0I | 2 | 0.034 kg |
| | Aluminium natural anodized | | C - A - B | C = 42°, B = 42° | 704.407.0I | 2 | 0.037 kg |
| | Plastic grey | | B - A - C | B = 42°, C = 42° | 704.408.0I | 1 | 0.034 kg |
| | Aluminium natural anodized | | B - A - C | B = 42°, C = 42° | 704.409.0I | 1 | 0.037 kg |

Switching action : A = Rest, B = Momentary, C = Maintain

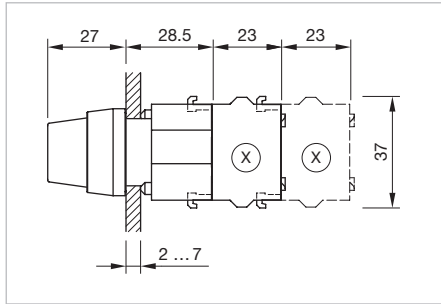
| | | | |
|--|--|---|--|
|  |  |  |  |
| Wiring diagram 1 | Wiring diagram 2 | Wiring diagram 3 | Wiring diagram 4 |

04 Raised design

Selector switch 3 positions short lever, IP65

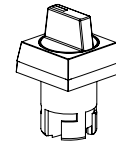


Product can differ from the current configuration.

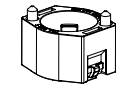


Dimensions [mm]
X = Screw terminal

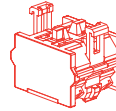
Equipment consisting of (schematic overview)



Actuator



Bayonet flange

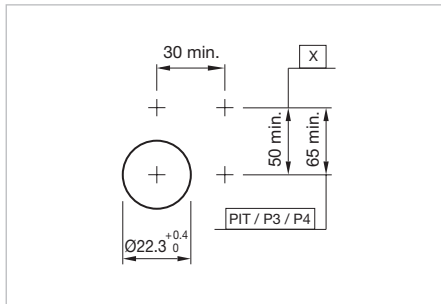


Switching element

page 138

Additional Information

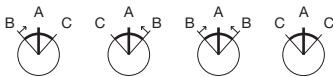
- Other terminal options from the part switching element see «Accessories»
- The colour of anodized aluminium parts can vary due to technical production reasons
- Max. 3 switching elements can be clipped on




Mounting cut-outs [mm]
PIT = Push-in terminal,
P3 = Plug-in terminal 6.3 x 0.8 mm,
P4 = Double plug-in terminal 6.3 x 0.8 mm,
X = Screw terminal


Each Part Number listed below includes all the black components shown in the 3D-drawing.

To obtain a complete unit, please select the red components from the pages shown.



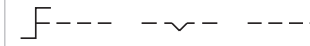
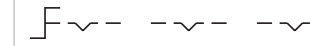


Switching positions (A = Rest, B = Momentary, C = Maintained)

| Lever | Front ring | Front bezel | Switching action | Switching angle | Part No. | Wiring diagram | Weight |
|--|------------|--------------|------------------|------------------|------------------|----------------|----------|
|  Selector switch actuator 3 positions, short lever, Front dimension 30 x 30 mm | | | | | | | |
| Plastic black | | Plastic grey | C - A - C | C = 42° / 42° | 704.502.0 | 4 | 0.034 kg |
| | | | B - A - B | B = 42° / 42° | 704.504.0 | 3 | 0.034 kg |
| | | | C - A - B | C = 42°, B = 42° | 704.506.0 | 2 | 0.034 kg |
| | | | B - A - C | B = 42°, C = 42° | 704.508.0 | 1 | 0.034 kg |

| Lever | Front ring | Front bezel | Switching action | Switching angle | Part No. | Wiring diagram | Weight |
|--|----------------------------|-------------|------------------|------------------|------------------|----------------|----------|
|  <p>Selector switch actuator 3 positions, short lever, Front dimension Ø 29 mm</p> | | | | | | | |
| Plastic black | Plastic grey | | C - A - C | C = 42° / 42° | 704.402.0 | 4 | 0.034 kg |
| | Aluminium natural anodized | | C - A - C | C = 42° / 42° | 704.403.0 | 4 | 0.037 kg |
| | Plastic grey | | B - A - B | B = 42° / 42° | 704.404.0 | 3 | 0.034 kg |
| | Aluminium natural anodized | | B - A - B | B = 42° / 42° | 704.405.0 | 3 | 0.037 kg |
| | Plastic grey | | C - A - B | C = 42°, B = 42° | 704.406.0 | 2 | 0.034 kg |
| | Aluminium natural anodized | | C - A - B | C = 42°, B = 42° | 704.407.0 | 2 | 0.037 kg |
| | Plastic grey | | B - A - C | B = 42°, C = 42° | 704.408.0 | 1 | 0.034 kg |
| | Aluminium natural anodized | | B - A - C | B = 42°, C = 42° | 704.409.0 | 1 | 0.037 kg |

Switching action : A = Rest, B = Momentary, C = Maintain

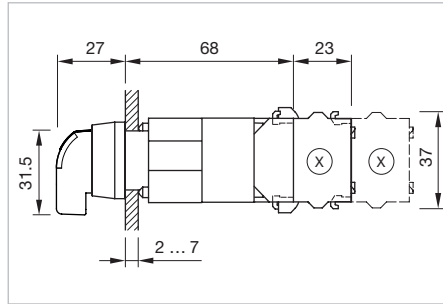
| | | | |
|---|---|--|---|
|  |  |  |  |
| Wiring diagram 1 | Wiring diagram 2 | Wiring diagram 3 | Wiring diagram 4 |

04 Raised design

Selector switch illuminated, 3 positions, long lever, IP65



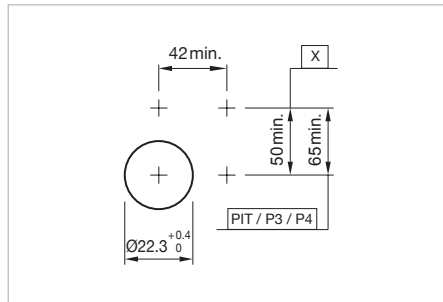
Product can differ from the current configuration.



Dimensions [mm]
X = Screw terminal

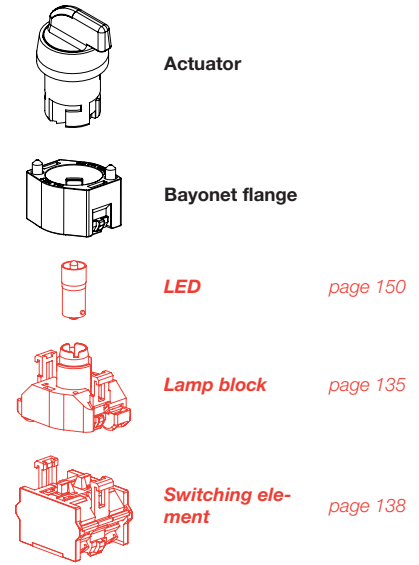
Additional Information

- Other terminal options from the part switching element see «Accessories»
- The colour of anodized aluminium parts can vary due to technical production reasons
- Max. 3 switching elements can be clipped on



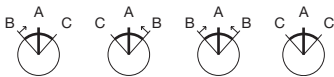
Mounting cut-outs [mm]
PIT = Push-in terminal,
P3 = Plug-in terminal 6.3 x 0.8 mm,
P4 = Double plug-in terminal 6.3 x 0.8 mm,
X = Screw terminal

Equipment consisting of (schematic overview)





Each Part Number listed below includes all the black components shown in the 3D-drawing.

To obtain a complete unit, please select the red components from the pages shown.

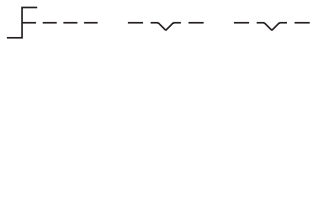
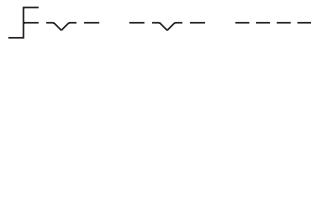

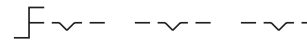


Switching positions (A = Rest, B = Momentary, C = Maintained)

| Lever | Front ring | Front bezel | Switching action | Switching angle | Part No. | Wiring diagram | Weight |
|---|---------------|--------------|------------------|------------------|-------------------|----------------|----------|
|  <p>Selector switch actuator illuminated, 3 positions, long lever, Front dimension 30 x 30 mm</p> | Plastic black | Plastic grey | C - A - C | C = 42° / 42° | 704.292.01 | 4 | 0.034 kg |
| | | | B - A - B | B = 42° / 42° | 704.294.01 | 3 | 0.034 kg |
| | | | C - A - B | C = 42°, B = 42° | 704.296.01 | 2 | 0.034 kg |
| | | | B - A - C | B = 42°, C = 42° | 704.298.01 | 1 | 0.034 kg |

| Lever | Front ring | Front bezel | Switching action | Switching angle | Part No. | Wiring diagram | Weight |
|--|----------------------------|-------------|------------------|------------------|-------------------|----------------|----------|
|  <p>Selector switch actuator illuminated, 3 positions, long lever, Front dimension Ø 29 mm</p> | | | | | | | |
| Plastic black | Plastic grey | | C - A - C | C = 42° / 42° | 704.092.0I | 4 | 0.034 kg |
| | Aluminium natural anodized | | C - A - C | C = 42° / 42° | 704.093.0I | 4 | 0.037 kg |
| | Plastic grey | | B - A - B | B = 42° / 42° | 704.094.0I | 3 | 0.034 kg |
| | Aluminium natural anodized | | B - A - B | B = 42° / 42° | 704.095.0I | 3 | 0.037 kg |
| | Plastic grey | | C - A - B | C = 42°, B = 42° | 704.096.0I | 2 | 0.034 kg |
| | Aluminium natural anodized | | C - A - B | C = 42°, B = 42° | 704.097.0I | 2 | 0.037 kg |
| | Plastic grey | | B - A - C | B = 42°, C = 42° | 704.098.0I | 1 | 0.034 kg |
| | Aluminium natural anodized | | B - A - C | B = 42°, C = 42° | 704.099.0I | 1 | 0.034 kg |

Switching action : A = Rest, B = Momentary, C = Maintain

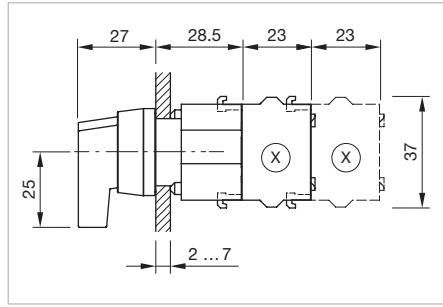
| | | | |
|---|---|--|---|
|  |  |  |  |
| Wiring diagram 1 | Wiring diagram 2 | Wiring diagram 3 | Wiring diagram 4 |

04 Raised design

Selector switch 3 positions long lever, IP65

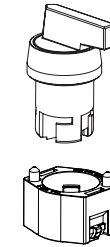


Product can differ from the current configuration.

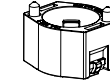


Dimensions [mm]
X = Screw terminal

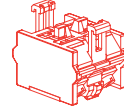
Equipment consisting of (schematic overview)



Actuator



Bayonet flange

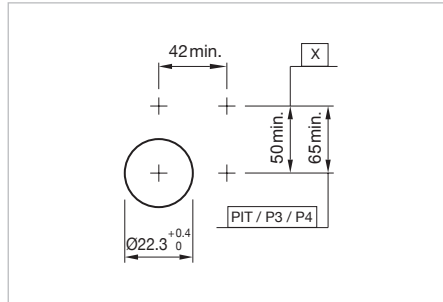


Switching element

page 138

Additional Information

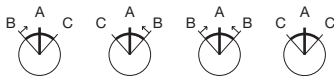
- Other terminal options from the part switching element see «Accessories»
- The colour of anodized aluminium parts can vary due to technical production reasons
- Max. 3 switching elements can be clipped on



Mounting cut-outs [mm]
PIT = Push-in terminal,
P3 = Plug-in terminal 6.3 x 0.8 mm,
P4 = Double plug-in terminal 6.3 x 0.8 mm,
X = Screw terminal


Each Part Number listed below includes all the black components shown in the 3D-drawing.

To obtain a complete unit, please select the red components from the pages shown.



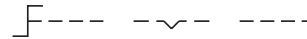
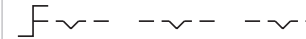


Switching positions (A = Rest, B = Momentary, C = Maintained)

| Lever | Front ring | Front bezel | Switching action | Switching angle | Part No. | Wiring diagram | Weight |
|-------|------------|--------------|---|------------------|------------------|----------------|----------|
| | | Plastic grey | C - A - C | C = 42° / 42° | 704.292.0 | 4 | 0.034 kg |
| | | | B - A - B | B = 42° / 42° | 704.294.0 | 3 | 0.034 kg |
| | | | C - A - B | C = 42°, B = 42° | 704.296.0 | 2 | 0.034 kg |
| | | | B - A - C | B = 42°, C = 42° | 704.298.0 | 1 | 0.034 kg |
| | | | Selector switch actuator 3 positions, long lever, Front dimension 30 x 30 mm | | | | |

| Lever | Front ring | Front bezel | Switching action | Switching angle | Part No. | Wiring diagram | Weight |
|---|----------------------------|-------------|------------------|------------------|------------------|----------------|----------|
|  <p>Selector switch actuator 3 positions, long lever, Front dimension Ø 29 mm</p> | | | | | | | |
| Plastic black | Plastic grey | | C - A - C | C = 42° / 42° | 704.092.0 | 4 | 0.034 kg |
| | Aluminium natural anodized | | C - A - C | C = 42° / 42° | 704.093.0 | 4 | 0.037 kg |
| | Plastic grey | | B - A - B | B = 42° / 42° | 704.094.0 | 3 | 0.034 kg |
| | Aluminium natural anodized | | B - A - B | B = 42° / 42° | 704.095.0 | 3 | 0.037 kg |
| | Plastic grey | | C - A - B | C = 42°, B = 42° | 704.096.0 | 2 | 0.034 kg |
| | Aluminium natural anodized | | C - A - B | C = 42°, B = 42° | 704.097.0 | 2 | 0.037 kg |
| | Plastic grey | | B - A - C | B = 42°, C = 42° | 704.098.0 | 1 | 0.034 kg |
| | Aluminium natural anodized | | B - A - C | B = 42°, C = 42° | 704.099.0 | 1 | 0.037 kg |

Switching action : A = Rest, B = Momentary, C = Maintain

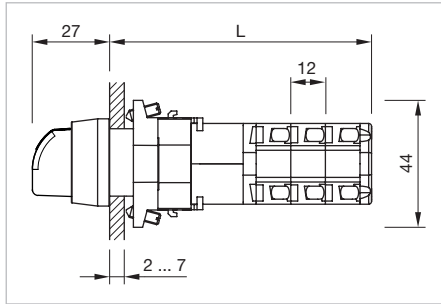
| | | | |
|---|---|--|---|
|  |  |  |  |
| Wiring diagram 1 | Wiring diagram 2 | Wiring diagram 3 | Wiring diagram 4 |

04 Raised design

Selector rotary switch short lever rounded, IP65



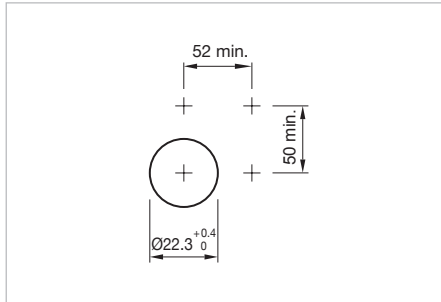
Product can differ from the current configuration.



Dimensions [mm]
 $L = (\text{Number of stages} \times 12) + 54.5 \text{ mm}$

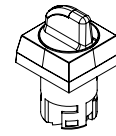
Additional Information

- The colour of anodized aluminium parts can vary due to technical production reasons
- In combination with the switching elements K&N, the selector switch can not be illuminated

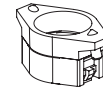


Mounting cut-outs [mm]

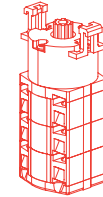
Equipment consisting of (schematic overview)



Actuator



Bayonet flange



Switching element [page 142](#)

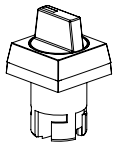
Each Part Number listed below includes all the black components shown in the 3D-drawing.

To obtain a complete unit, please select the red components from the pages shown.

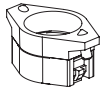
| Lever | Front ring | Front bezel | Switching positions | Part No. | Weight |
|---------------|---|--------------|---------------------|---------------------|----------|
| | Selector rotary switch actuator, short lever rounded, Front dimension 30 x 30 mm | | | | |
| Plastic black | | Plastic grey | Rest = 9 o'clock | 704.510.1KNI | 0.045 kg |
| | Selector rotary switch actuator, short lever rounded, Front dimension Ø 29 mm | | | | |
| Plastic black | Aluminium natural anodized | | Rest = 9 o'clock | 704.411.1KNI | 0.045 kg |

Selector rotary switch short lever, IP65

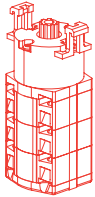
Equipment consisting of (schematic overview)



Actuator

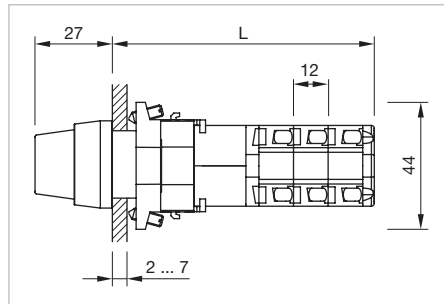


Bayonet flange

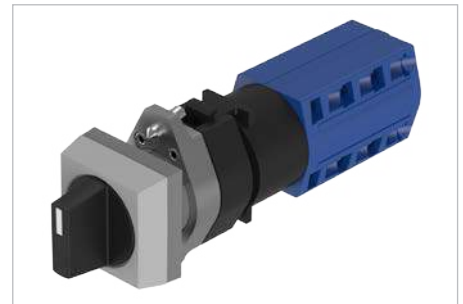


Switching element

page 142



Dimensions [mm]
 $L = (\text{Anzahl Fluchten} \times 12) + 54.5 \text{ mm}$



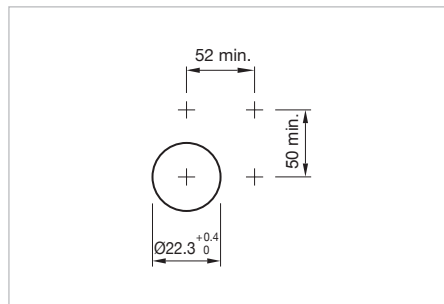
Product can differ from the current configuration.

Additional Information

- The colour of anodized aluminium parts can vary due to technical production reasons

Each Part Number listed below includes all the black components shown in the 3D-drawing.

To obtain a complete unit, please select the red components from the pages shown.

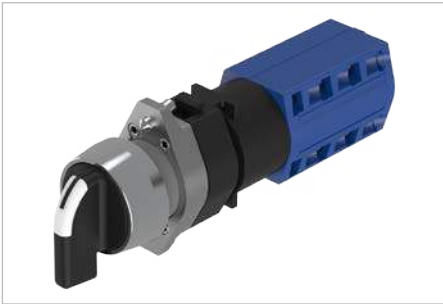


Mounting cut-outs [mm]

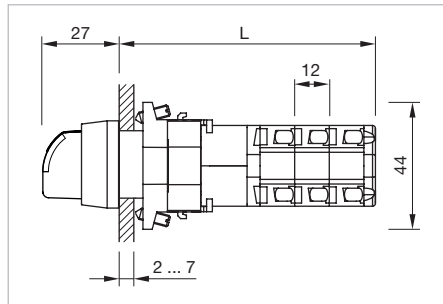
| Lever | Front ring | Front bezel | Switching positions | Part No. | Weight |
|---------------|---|--------------|---------------------|--------------------|----------|
| | Selector rotary switch actuator, short lever, Front dimension 30 x 30 mm | | | | |
| Plastic black | | Plastic grey | Rest = 9 o'clock | 704.510.1KN | 0.045 kg |
| | Selector rotary switch actuator, short lever, Front dimension Ø 29 mm | | | | |
| Plastic black | Aluminium natural anodized | | Rest = 9 o'clock | 704.411.1KN | 0.045 kg |

04 Raised design

Selector rotary switch long lever rounded, IP65



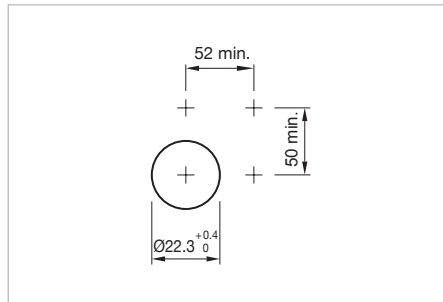
Product can differ from the current configuration.



Dimensions [mm]
 $L = (\text{Number of stages} \times 12) + 54.5 \text{ mm}$

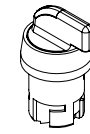
Additional Information

- The colour of anodized aluminium parts can vary due to technical production reasons
- In combination with the switching elements K&N, the selector switch can not be illuminated

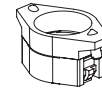


Mounting cut-outs [mm]

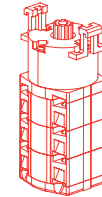
Equipment consisting of (schematic overview)



Actuator



Bayonet flange



Switching element [page 142](#)

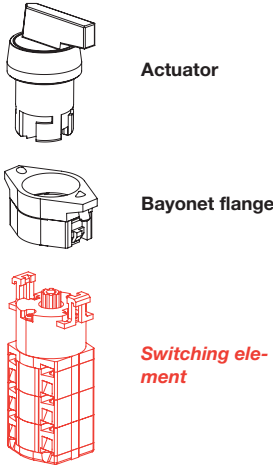
Each Part Number listed below includes all the black components shown in the 3D-drawing.

To obtain a complete unit, please select the red components from the pages shown.

| Lever | Front ring | Front bezel | Switching positions | Part No. | Weight |
|---------------|--|--------------|---------------------|---------------------|----------|
| | Rotary selector switch actuator, long lever rounded, Front dimension 30 x 30 mm | | | | |
| Plastic black | | Plastic grey | Rest = 9 o'clock | 704.300.1KNI | 0.045 kg |
| | Rotary selector switch actuator, long lever rounded, Front dimension Ø 29 mm | | | | |
| Plastic black | Aluminium natural anodized | | Rest = 9 o'clock | 704.101.1KNI | 0.045 kg |

Selector rotary switch long lever, IP65

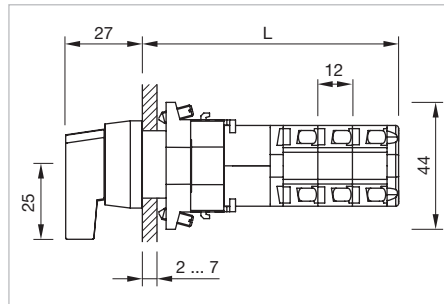
Equipment consisting of (schematic overview)



Actuator

Bayonet flange

Switching element *page 142*



Dimensions [mm]
 $L = (\text{Anzahl Fluchten} \times 12) + 54.5 \text{ mm}$



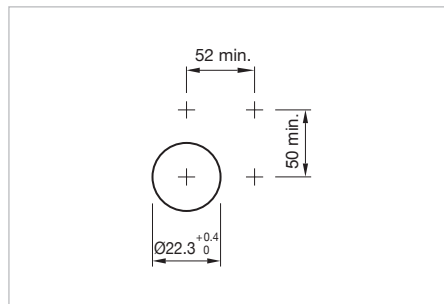
Product can differ from the current configuration.

Additional Information



- The colour of anodized aluminium parts can vary due to technical production reasons

Each Part Number listed below includes all the black components shown in the 3D-drawing.

To obtain a complete unit, please select the red components from the pages shown.

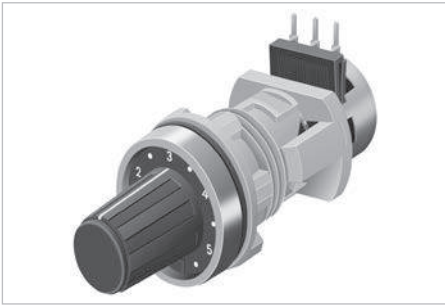


Mounting cut-outs [mm]

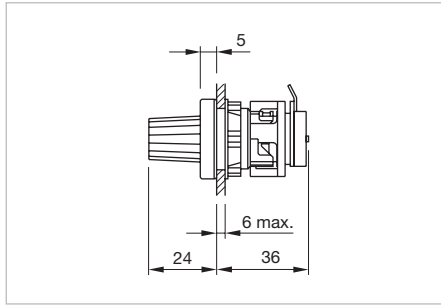
| Lever | Front ring | Front bezel | Switching positions | Part No. | Weight |
|---|--|--------------|---------------------|--------------------|----------|
|  | Rotary selector switch actuator, long lever, Front dimension 30 x 30 mm | | | | |
| Plastic black | | Plastic grey | Rest = 9 o'clock | 704.300.1KN | 0.045 kg |
|  | Rotary selector switch actuator, long lever, Front dimension Ø 29 mm | | | | |
| Plastic black | Aluminium natural anodized | | Rest = 9 o'clock | 704.101.1KN | 0.045 kg |
| | | | Rest = 12 o'clock | 704.101.0KN | 0.045 kg |

04 Raised design

Potentiometer, IP 65

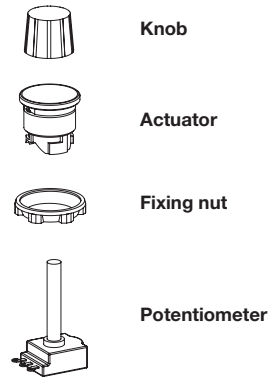


Product can differ from the current configuration.



Dimensions [mm]

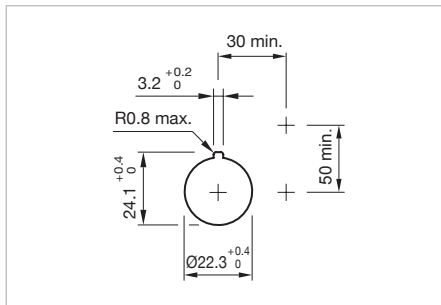
Equipment consisting of (schematic overview)




Each Part Number listed below includes all the black components shown in the 3D-drawing.

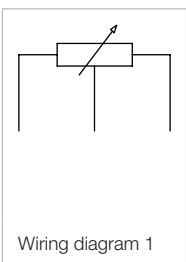
Additional Information

- Resistor 10 kOhm / linear, series E3
- Power 0.4 W
- Slewing range 300°



Mounting cut-outs [mm]

| Product attribute | Front ring | Terminal | Part No. | Wiring diagram | Weight |
|---|---------------------|----------|-----------------------|----------------|----------|
|  <p>Potentiometer, Front dimension Ø 28 mm</p> | Plastic matt chrome | Solder | 44-745.20-10K1 | 1 | 0.03 kg |
| | Plastic matt grey | Solder | 44-745.60-10K1 | 1 | 0.03 kg |
| without potentiometer, specification for potentiometer: Shaft = length 32 mm, shaft end = Form A, Ø = 6 mm | Plastic matt chrome | Solder | 44-744.20 | | 0.016 kg |
| | Plastic matt grey | Solder | 44-744.60 | | 0.016 kg |

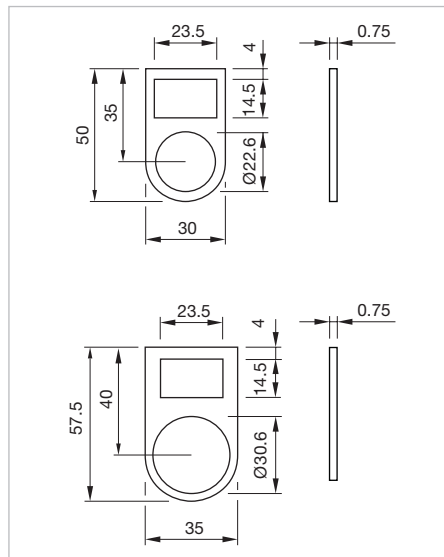


Front


Legend frame

Additional Information

- The colour of anodized aluminium parts can vary due to technical production reasons




Dimensions [mm]

| Product attribute | Dimension | Material | Colour | Mounting type | Part No. | Weight |
|---|---------------------|-----------|----------------|---------------|------------------|----------|
|  | Legend frame | | | | | |
| for raised design | 30 x 50 x 0.75 mm | Aluminium | black anodized | adhesive | 704.968.2 | 0.001 kg |
| for flush design | 35 x 57.5 x 0.75 mm | Aluminium | black anodized | adhesive | 704.968.3 | 0.001 kg |

Legend plate

Additional Information

- The colour of anodized aluminium parts can vary due to technical production reasons


| Dimension | Material | Colour | Mounting type | Part No. | Weight |
|---|--------------------------------------|------------------|---------------|------------------|----------|
|  | Legend plate for legend frame | | | | |
| 14.5 x 23.5 mm | Aluminium | natural anodized | adhesive | 704.968.0 | 0.001 kg |
| | | black anodized | adhesive | 704.968.1 | 0.001 kg |

04 Accessories

Legend plate flush design

Additional Information



- For devices square with flush design
- The colour of anodized aluminium parts can vary due to technical production reasons

| Dimension | Material | Colour | Mounting type | Part No. | Weight |
|--|-----------|------------------|---------------|------------------|----------|
|  <p>Legend plate for flush design</p> | | | | | |
| 18 x 35 mm | Aluminium | natural anodized | adhesive | 704.968.4 | 0.001 kg |
| | | black anodized | adhesive | 704.968.5 | 0.001 kg |

Legend plate rotary switch


Additional Information

- The colour of anodized aluminium parts can vary due to technical production reasons

| Product attribute | Dimension | Material | Colour | Mounting type | Part No. | Weight |
|---|------------|-----------|----------------|---------------|-------------------|----------|
|  <p>Legend plate for rotary selector switch</p> | | | | | | |
| for raised design Ø 29 mm | 48 x 48 mm | Aluminium | black anodized | adhesive | 704.968.10 | 0.003 kg |
| for flush design Ø 35 mm | 48 x 48 mm | Aluminium | black anodized | adhesive | 704.968.11 | 0.003 kg |
|  <p>Legend plate for rotary selector switch</p> | | | | | | |
| for raised design Ø 29 mm | 48 x 60 mm | Aluminium | black anodized | adhesive | 704.968.12 | 0.004 kg |



Lens plastic square

- Druckhauben sind für quadratische Geräte in erhabener und flacher Bauform verwendbar

| Product attribute | Dimension | Lens | Part No. | Weight |
|---|----------------|------------------------|------------------|----------|
|  <p>Lens plastic square</p> | | | | |
| non-illuminative | 24.4 x 24.4 mm | black opaque | 704.702.0 | 0.001 kg |
| illuminative | 24.4 x 24.4 mm | red transparent | 704.702.2 | 0.001 kg |
| | | yellow transparent | 704.702.4 | 0.001 kg |
| | | green transparent | 704.702.5 | 0.001 kg |
| | | blue transparent | 704.702.6 | 0.001 kg |
| | | colourless transparent | 704.702.7 | 0.001 kg |
| non-illuminative | 24.4 x 24.4 mm | white opaque | 704.702.9 | 0.001 kg |


Lens plastic round flat

- Lenses are usable for square devices in raised design and flush design

| Product attribute | Dimension | Lens | Symbol | Part No. | Weight |
|---|-----------|------------------------|--------|---------------------|----------|
|  <p>Lens plastic round flat</p> | | | | | |
| non-illuminative | Ø 23.7 mm | black opaque | | 704.602.0 | 0.001 kg |
| illuminative | Ø 23.7 mm | red transparent | | 704.602.2 | 0.001 kg |
| | | orange transparent | | 704.602.3 | 0.001 kg |
| | | yellow transparent | | 704.602.4 | 0.001 kg |
| | | green transparent | | 704.602.5 | 0.001 kg |
| | | blue transparent | | 704.602.6 | 0.001 kg |
| | | colourless transparent | | 704.602.7 | 0.001 kg |
|  <p>Lens plastic round flat</p> | | | | | |
| illuminative | Ø 23.7 mm | colourless transparent | Ring | 704.602.7A01 | 0.001 kg |


04 Accessories

Lens plastic round increased

| Product attribute | Dimension | Lens | Part No. | Weight |
|--|-----------|------------------------|------------------|----------|
|  <p>Lens plastic round increased</p> | Ø 23.7 mm | red transparent | 704.611.2 | 0.002 kg |
| | | yellow transparent | 704.611.4 | 0.002 kg |
| | | green transparent | 704.611.5 | 0.002 kg |
| | | blue transparent | 704.611.6 | 0.002 kg |
| | | colourless transparent | 704.611.7 | 0.002 kg |
| | | illuminative | | |


Lens metal round

- The colour of anodized aluminium parts can vary due to technical production reasons


| Product attribute | Dimension | Lens | Part No. | Weight |
|--|-----------|--------------------------------|-------------------|----------|
|  <p>Lens metal round</p> | Ø 23.7 mm | Aluminium black anodized | 704.601.0 | 0.001 kg |
| | | Aluminium red anodized | 704.601.2 | 0.001 kg |
| | | Aluminium gold anodized | 704.601.4 | 0.001 kg |
| | | Aluminium olive-green anodized | 704.601.5 | 0.001 kg |
| | | Aluminium blue anodized | 704.601.6 | 0.001 kg |
| | | Aluminium natural anodized | 704.601.8 | 0.001 kg |
| | | Stainless-steel natural 304 | 704.601.9 | 0.001 kg |
| | | Stainless-steel natural 316 | 704.601.10 | 0.001 kg |
| non-illuminative | | | | |

Lens metal spot round


- The colour of anodized aluminium parts can vary due to technical production reasons

| Product attribute | Dimension | Lens | Part No. | Weight |
|--|-----------|--------------------------------|--------------------|----------|
|  <p>Lens metal with spot round</p> | | | | |
| illuminative | Ø 23.7 mm | Aluminium black anodized | 704.601.01 | 0.001 kg |
| | | Aluminium red anodized | 704.601.21 | 0.001 kg |
| | | Aluminium gold anodized | 704.601.41 | 0.001 kg |
| | | Aluminium olive-green anodized | 704.601.51 | 0.001 kg |
| | | Aluminium blue anodized | 704.601.61 | 0.001 kg |
| | | Aluminium natural anodized | 704.601.81 | 0.001 kg |
| | | Stainless-steel 304 natural | 704.601.91 | 0.001 kg |
| | | Stainless-steel 316 natural | 704.601.101 | 0.001 kg |

Lens holder square


| Product attribute | Marking plate illumination | Marking plate | Part No. | Weight |
|---|----------------------------|------------------------|------------------|----------|
|  <p>Lens holder for lens square</p> | | | | |
| | LED | colourless transparent | 704.709.7 | 0.003 kg |
| can be marked | LED | white translucent | 704.709.9 | 0.003 kg |

Lens cap round



| Lens cap | Part No. | Weight |
|---|------------------|----------|
|  <p>Lens cap round, 29 mm</p> | | |
| Plastic red | 704.603.2 | 0.003 kg |
| Plastic yellow | 704.603.4 | 0.003 kg |
| Plastic green | 704.603.5 | 0.003 kg |
| Plastic blue | 704.603.6 | 0.003 kg |
| Plastic colourless | 704.603.7 | 0.003 kg |

04 Accessories





Lens cap square

| Lens cap | Part No. | Weight |
|---|------------------|----------|
|  <p>Lens cap square, 30 x 30 mm</p> | | |
| Plastic red | 704.703.2 | 0.003 kg |
| Plastic yellow | 704.703.4 | 0.003 kg |
| Plastic green | 704.703.5 | 0.003 kg |
| Plastic blue | 704.703.6 | 0.003 kg |
| Plastic colourless | 704.703.7 | 0.003 kg |



Marking foil square

| Product attribute | Material | Colour | Optics | Part No. | Weight |
|---|----------|------------|-------------|------------------|----------|
|  <p>Marking foil for lens cap square, front illumination, 21 x 21 mm</p> | | | | | |
| can be hot stamped | Plastic | colourless | transparent | 704.707.7 | 0.001 kg |
|  <p>Marking foil for lens cap square, full face illumination 24 x 24 mm</p> | | | | | |
| can be hot stamped | Plastic | colourless | transparent | 704.706.7 | 0.001 kg |

Marking plate round flat



| Marking plate illumination | Marking plate | Part No. | Weight |
|--|-------------------------------|---------------------|----------|
|  <p>Marking plate for lens round flat</p> | | | |
| non-illuminative | black opaque | 704.609.0 | 0.001 kg |
|  <p>Marking plate for lens round flat</p> | | | |
| LED | colourless transparent ripped | 704.609.7 | 0.001 kg |
|  <p>Marking plate for lens round flat</p> | | | |
| LED and filament lamp | white translucent | 704.609.9 | 0.001 kg |
|  <p>Marking plate for lens round flat</p> | | | |
| Halo illumination | white translucent | 704.609.9A01 | 0.001 kg |

Marking cap round encreased


| Marking cap illumination | Marking cap | Part No. | Weight |
|--|-------------------------------|------------------|----------|
|  <p>Marking cap for lens round encreased</p> | | | |
| LED | colourless transparent ripped | 704.610.7 | 0.001 kg |
|  <p>Marking cap for lens round encreased</p> | | | |
| LED and filament lamp | white translucent | 704.610.9 | 0.001 kg |

04 Accessories

Marking cap lens cap round


| Marking cap illumination | Marking cap | Part No. | Weight |
|---|---------------------------------------|------------------|----------|
|  | Marking cap for lens cap round | | |
| LED | colourless transparent ripped | 704.608.7 | 0.002 kg |
|  | Marking cap for lens cap round | | |
| LED and filament lamp | white translucent | 704.608.9 | 0.002 kg |

Diffusor cap lens cap round

| Product attribute | Diffusor cap | Part No. | Weight |
|--|---|------------------|----------|
|  | Diffusor cap for lens cap square | | |
| | colourless transparent | 704.708.7 | 0.004 kg |
| can be marked | white translucent | 704.708.9 | 0.004 kg |

Front bezel set flush design

- The colour of anodized aluminium parts can vary due to technical production reasons

| Mounting cut-out | Front ring | Part No. | Weight |
|---|--|-------------------|----------|
|  | Front bezel set for indicator and pushbutton, flush design round, 35 mm | | |
| Ø 30.5 mm | Aluminium black anodized | 704.955.0 | 0.015 kg |
| | Aluminium natural anodized | 704.955.1 | 0.015 kg |
| | Stainless-steel 304 natural | 704.955.9 | 0.033 kg |
| | Stainless-steel 316 natural | 704.955.10 | 0.033 kg |


Front bezel square

| Front bezel | Part No. | Weight |
|---|------------------|----------|
|  <p>Front bezel raised square, 30 x 30 mm</p> | | |
| Plastic black | 704.701.0 | 0.002 kg |
| Plastic chrome | 704.701.4 | 0.002 kg |
| Plastic grey | 704.701.6 | 0.002 kg |

Front bezel set protective mem. , IP 67

Additional Information


- The colour of anodized aluminium parts can vary due to technical production reasons
- For pushbutton and illuminated pushbutton for IP 67 front protection
- Front ring to be mounted with a torque of 40 Ncm onto actuator

| Product attribute | Dimension | Front ring | Part No. | Weight |
|--|-----------|-----------------------------|-------------------|----------|
|  <p>Front bezel set with protective membrane, flush design</p> | | | | |
| with transparent silicone membrane | Ø 35 mm | Aluminium natural anodized | 704.955.3 | 0.015 kg |
| | | Aluminium black anodized | 704.955.4 | 0.015 kg |
| with transparent silicone membrane, resistant to sea water | Ø 35 mm | Stainless-steel 316 natural | 704.955.9E | 0.033 kg |

04 Accessories

Front ring


- The colour of anodized aluminium parts can vary due to technical production reasons

| Product attribute | Front ring | Part No. | Weight |
|--|----------------------------|-------------------|------------------|
|  <p>Front ring raised round, 29 mm</p> | Plastic black | 704.600.0 | 0.003 kg |
| | Plastic grey | 704.600.6 | 0.003 kg |
| | Aluminium natural anodized | 704.600.1 | 0.005 kg |
| | Aluminium black anodized | 704.600.1A | 0.005 kg |
| | Stainless-steel natural | 704.600.9 | 0.006 kg |
| | 16 mm high | Plastic grey | 704.600.7 |

Front protective cap, IP 68

Additional Information


- For indicator, pushbutton and illuminated pushbutton for protection IP 68

| Product attribute | Material | Colour | Optics | Part No. | Weight |
|---|----------|------------|-------------|------------------|----------|
|  <p>Front protective cap raised</p> | Silicone | colourless | transparent | 704.953.0 | 0.002 kg |
| | | | | | |

Front protective ring, IP 67

Additional Information

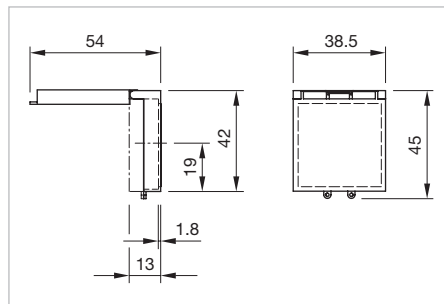
- For pushbutton and illuminated pushbutton with front illumination (IP 67)
- Front protective ring to be mounted with a torque of 40 Ncm onto actuator
- The colour of anodized aluminium parts can vary due to technical production reasons

| Product attribute | Material | Colour | Part No. | Weight | |
|--|--|------------------|--------------------|------------------|----------|
|  <p>Front protective ring raised</p> | | | | | |
| | with transparent silicone membrane (extent resistant to sea water), temperature resistance -40 °C ... +85 °C | Brass | chrome | 704.600.2 | 0.005 kg |
| | | Aluminium | natural anodized | 704.600.3 | 0.005 kg |
| with transparent Pebax membrane, temperature resistance -40 °C ... +85 °C | Aluminium | natural anodized | 704.600.5/A | 0.005 kg | |



Protective cover sq. flush des., IP 67

Additional Information

- Hinged
- Front panel thickness reduces by 2 mm
- Please note that bigger minimum distances are necessary



Dimensions [mm]

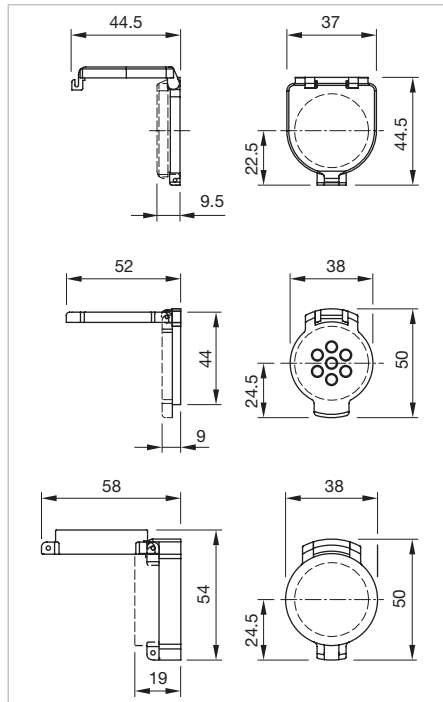
| Product attribute | Dimension | Material | Optics | Part No. | Weight |
|---|--|--------------|---------|-------------|------------------|
|  <p>Protective cover square, flush design</p> | | | | | |
| | with means for sealing, for pushbutton with mounting cut-out 30 x 30 mm | 38.5 x 45 mm | Plastic | transparent | 704.925.8 |
|  <p>Protective cover square, flush design</p> | | | | | |
| | with means for sealing, for selector switch with mounting cut-out 30 x 30 mm | 38.5 x 45 mm | Plastic | transparent | 704.925.9 |

04 Accessories





Protective cover rd. flush des., IP65

Additional Information

- Hinged
- Front panel thickness reduces by 2 mm
- The dimensions of the mounting cut-outs are shown in the product details
- Please note that bigger minimum distances are necessary
- The colour of anodized aluminium parts can vary due to technical production reasons



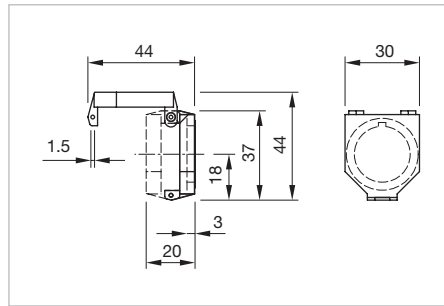
Dimensions [mm]

| Product attribute | Dimension | Material | Colour | Optics | Part No. | Weight |
|---|--------------|-----------|------------------|-------------|-------------------|----------|
|  <p>Protective cover round, flush design</p> <p>with means for sealing, for pushbutton with mounting cut-out Ø 30.5 mm</p> | 37 x 44.5 mm | Plastic | colourless | transparent | 704.925.7 | 0.006 kg |
|  <p>Protective cover round, flush design</p> <p>not with means for sealing, with spring fitted, with window, for pushbutton with mounting cut-out Ø 30.5 mm</p> | 38 x 50 mm | Aluminium | natural anodized | | 704.928.18 | 0.019 kg |
|  <p>Protective cover round, flush design</p> <p>with means for sealing, for pushbutton and selector switch with mounting cut-out Ø 30.5 mm, short lever</p> | 38 x 50 mm | Aluminium | natural anodized | | 704.928.28 | 0.019 kg |
|  <p>Protective cover round, flush design</p> <p>with means for sealing, for pushbutton and selector switch with mounting cut-out Ø 30.5 mm, short lever</p> | 38 x 50 mm | Aluminium | natural anodized | | 704.928.38 | 0.019 kg |



Protective cover raised design, IP65

Additional Information

- Hinged, with means for sealing
- Protective cover Part-No. only for selector switch in basic position A applicable
- Front panel thickness reduces by 3 mm
- The dimensions of the mounting cut-outs are shown in the product details
- Please note that bigger minimum distances are necessary




Dimensions [mm]

| Product attribute | Dimension | Material | Optics | Part No. | Weight |
|--|------------|----------|-------------|------------------|----------|
|  <p>Protection cover round, raised design</p> | | | | | |
| for pushbutton with mounting cut-out Ø 22.5 mm | 30 x 37 mm | Plastic | transparent | 704.925.0 | 0.007 kg |
| with spring fitted, for pushbutton with mounting cut-out Ø 22.5 mm | 30 x 37 mm | Plastic | transparent | 704.925.3 | 0.007 kg |
|  <p>Protection cover round, raised design</p> | | | | | |
| for selector switch | Ø 22.5 mm | Plastic | transparent | 704.925.2 | 0.007 kg |

Spare key

Additional Information

- The standard lock Ronis 251
- Optional lock numbers on request

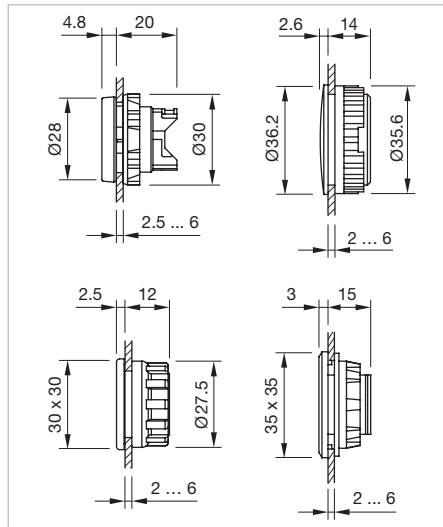
| Product attribute | Part No. | Weight |
|---|--------------------|----------|
|  <p>Spare key</p> | | |
| for keylock number 251, keylock type Ronis | 704.989.251 | 0.006 kg |

04 Accessories





Blind plug, IP65

Additional Information

- The dimensions of the mounting cut-outs are shown in the product details
- Please note that bigger minimum distances are necessary



Dimensions [mm]

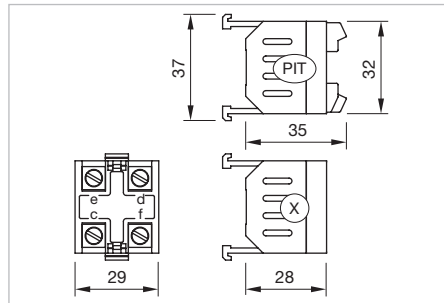
| Dimension | Mounting cut-out | Material | Colour | Part No. | Weight |
|---|------------------|----------|--------|------------------|----------|
|  Blind plug | | | | | |
| Ø 28 mm | Ø 22.5 mm | Plastic | black | 704.960.4 | 0.004 kg |
|  Blind plug | | | | | |
| 30 x 30 mm | Ø 22.5 mm | Plastic | black | 704.964.7 | 0.009 kg |
|  Blind plug | | | | | |
| Ø 36 mm | Ø 30.5 mm | Plastic | black | 704.964.8 | 0.007 kg |
|  Blind plug | | | | | |
| 35 x 35 mm | 30 x 30 mm | Plastic | black | 704.964.9 | 0.009 kg |

Rear side


Flasher element

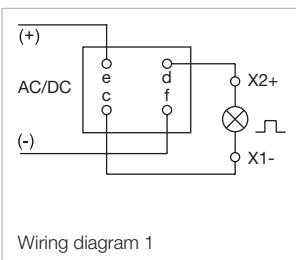
Additional Information

- Further information see «Technical data»



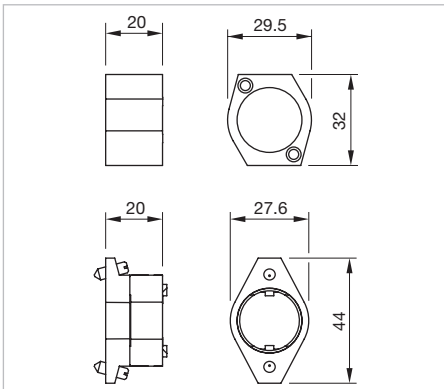
Dimensions [mm]
 PIT = Push-in terminal,
 X = Screw terminal

| Product attribute | Operating voltage | Terminal | Part No. | Wiring diagram | Weight |
|--|-------------------|------------------|-------------------|----------------|----------|
|  | | | | | |
| Lamp voltage/-current 130 V, 20 mA | 230 VAC ±6 % | Screw | 704.943.0 | 1 | 0.024 kg |
| Lamp voltage/-current 60 V, 33 mA | 115 VAC ±10 % | Screw | 704.943.1 | 1 | 0.024 kg |
| Lamp voltage/-current 130 V, 3 mA | 130 VDC ±10 % | Push-in Terminal | 704.943.2P | 1 | 0.021 kg |
| | | Screw | 704.943.2 | 1 | 0.024 kg |
| Lamp voltage/-current 24 V, 10 ... 85 mA | 24 VDC ±15 % | Screw | 704.943.5 | 1 | 0.024 kg |





04 Accessories

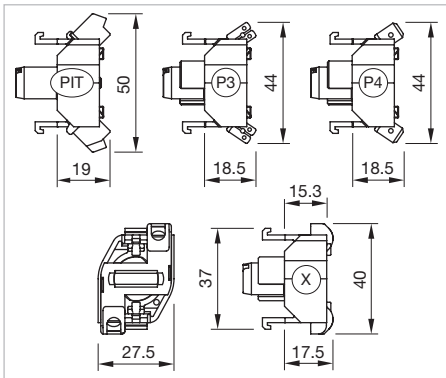
Bayonet flange




Dimensions [mm]

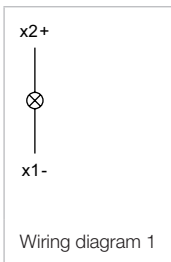
| Material | Part No. | Weight |
|---|------------------|----------|
|  <p>Bayonet flange (standard)</p> | | |
| Plastic | 704.950.5 | 0.015 kg |
|  <p>Bayonet flange</p> | | |
| Metal | 704.960.5 | 0.025 kg |

Lamp block for selector switch 2 positions



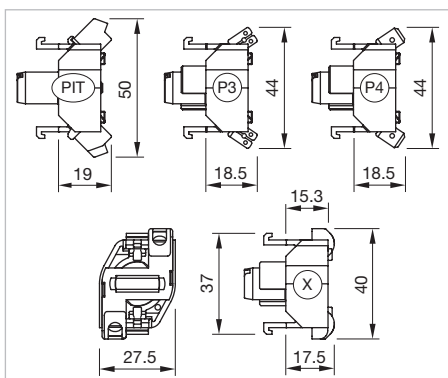
Dimensions [mm]
 PIT = Push-in terminal,
 P3 = Plug-in terminal 6.3 x 0.8 mm,
 P4 = Double plug-in terminal 6.3 x 0.8 mm,
 X = Screw terminal

| Product attribute | Terminal | Part No. | Wiring diagram | Weight |
|--|--------------------------|--------------------|----------------|----------|
|  | Screw | 704.950.0 | 1 | 0.012 kg |
| | Plug 6.3 x 0.8 mm | 704.950.1 | 1 | 0.012 kg |
| Terminals nickel plated and blank Cu/Sn | Double plug 6.3 x 0.8 mm | 704.950.1/D | 1 | 0.013 kg |
| | Push-in Terminal | 704.950.3 | 1 | 0.014 kg |
| Terminals nickel plated Cu/Sn | Double plug 6.3 x 0.8 mm | 704.950.2/D | 1 | 0.013 kg |
| for ring cable shoe | Screw | 704.950.0B | 1 | 0.013 kg |



04 Accessories

Lamp block for selector switch 3 positions




Dimensions [mm]

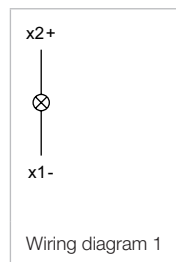
PIT = Push-in terminal,

P3 = Plug-in terminal 6.3 x 0.8 mm,

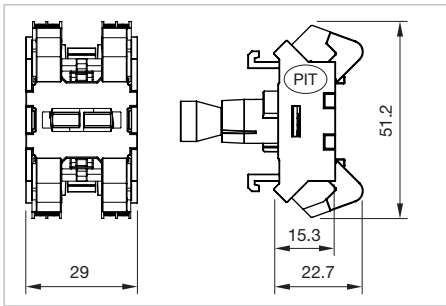
P4 = Double plug-in terminal 6.3 x 0.8 mm,

X = Screw terminal


| Product attribute | Terminal | Part No. | Wiring diagram | Weight |
|--|--------------------------|--------------------|----------------|----------|
|  | Screw | 704.951.0 | 1 | 0.012 kg |
| | Plug 6.3 x 0.8 mm | 704.951.1 | 1 | 0.012 kg |
| Terminals nickel plated and blank Cu/Sn | Double plug 6.3 x 0.8 mm | 704.951.1/D | 1 | 0.013 kg |
| | Push-in Terminal | 704.951.3 | 1 | 0.014 kg |



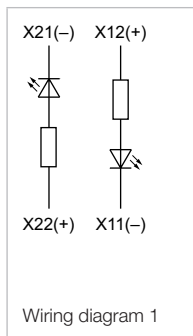
Dual lamp block



Dimensions [mm]
PIT = Push-in terminal

| LED colour | Operating voltage | Operation current | Terminal | Part No. | Component layout | Wiring diagram | Weight |
|---|-------------------|-------------------|------------------|----------------------|------------------|----------------|----------|
|  Lamp block | | | | | | | |
| white/white | 24 VDC -30%/+25% | 8 mA | Push-in terminal | 704.952.129.3 | 1 | 1 | 0.019 kg |
| | 110 VDC -30%/+25% | 8 mA | Push-in terminal | 704.952.159.3 | 1 | 1 | 0.019 kg |

The component layouts you will find from page 168

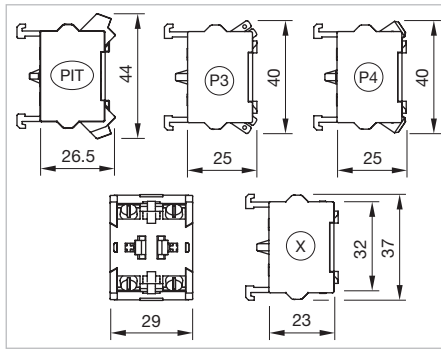


04 Accessories



Switching element





Additional Information

- For the third switching element the terminal marking insert is to be ordered separately





Dimensions [mm]
 PIT = Push-in terminal,
 P3 = Plug-in terminal 6.3 x 0.8 mm,
 P4 = Double plug-in terminal 6.3 x 0.8 mm,
 X = Screw terminal

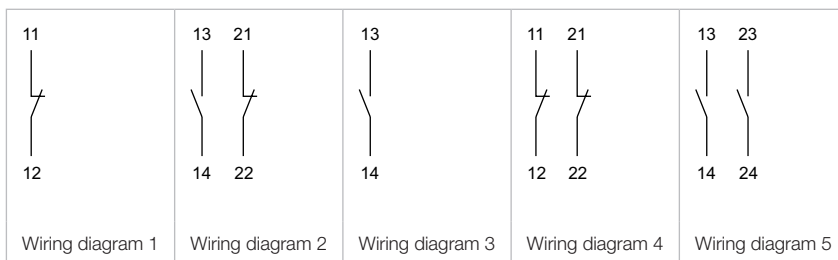
| Switching voltage | Switching current | Switching system | Contacts | Contact material | Terminal | Part No. | Wiring diagram | Weight |
|---|-------------------|-------------------------------|-------------|------------------|------------------|------------------|----------------|----------|
|  <p>Switching element</p> | | | | | | | | |
| 500 VAC | 6 A | Snap-action switching element | 1 NO | Gold | Push-in Terminal | 704.907.1 | 3 | 0.020 kg |
| | | | 1 NC | Gold | Push-in Terminal | 704.907.2 | 1 | 0.020 kg |
| | | | 2 NO | Gold | Push-in Terminal | 704.907.3 | 5 | 0.027 kg |
| | | | 2 NC | Gold | Push-in Terminal | 704.907.4 | 4 | 0.027 kg |
| | | | 1 NC + 1 NO | Gold | Push-in Terminal | 704.907.5 | 2 | 0.027 kg |
| | | | 1 NO | Silver | Push-in Terminal | 704.908.1 | 3 | 0.020 kg |
| | | | 1 NC | Silver | Push-in Terminal | 704.908.2 | 1 | 0.020 kg |
| | | | 2 NO | Silver | Push-in Terminal | 704.908.3 | 5 | 0.027 kg |
| | | | 2 NC | Silver | Push-in Terminal | 704.908.4 | 4 | 0.027 kg |
| | | | 1 NC + 1 NO | Silver | Push-in Terminal | 704.908.5 | 2 | 0.027 kg |
|  <p>Switching element</p> | | | | | | | | |
| 500 VAC | 6 A | Slow-make switching element | 1 NO | Gold | Push-in Terminal | 704.917.1 | 3 | 0.019 kg |
| | | | 1 NC | Gold | Push-in Terminal | 704.917.2 | 1 | 0.019 kg |
| | | | 2 NO | Gold | Push-in Terminal | 704.917.3 | 5 | 0.026 kg |
| | | | 2 NC | Gold | Push-in Terminal | 704.917.4 | 4 | 0.019 kg |
| | | | 1 NC + 1 NO | Gold | Push-in Terminal | 704.917.5 | 2 | 0.026 kg |
| | | | 1 NO | Silver | Push-in Terminal | 704.918.1 | 3 | 0.019 kg |
| | | | 1 NC | Silver | Push-in Terminal | 704.918.2 | 1 | 0.019 kg |
| | | | 2 NO | Silver | Push-in Terminal | 704.918.3 | 5 | 0.026 kg |
| | | | 2 NC | Silver | Push-in Terminal | 704.918.4 | 4 | 0.019 kg |
| | | | 1 NC + 1 NO | Silver | Push-in Terminal | 704.918.5 | 2 | 0.026 kg |

| Switching voltage | Switching current | Switching system | Contacts | Contact material | Terminal | Part No. | Wiring diagram | Weight |
|---|-------------------|-------------------------------|-------------|------------------|--------------------------|--------------------|----------------|----------|
|  <p>Switching element</p> | | | | | | | | |
| 500 VAC | 6 A | Snap-action switching element | 1 NO | Silver | Plug 6.3 x 0.8 mm | 704.905.1 | 3 | 0.021 kg |
| | | | 1 NC | Silver | Plug 6.3 x 0.8 mm | 704.905.2 | 1 | 0.021 kg |
| | | | 2 NO | Silver | Plug 6.3 x 0.8 mm | 704.905.3 | 5 | 0.028 kg |
| | | | 2 NC | Silver | Plug 6.3 x 0.8 mm | 704.905.4 | 4 | 0.028 kg |
| | | | 1 NC + 1 NO | Silver | Plug 6.3 x 0.8 mm | 704.905.5 | 2 | 0.028 kg |
|  <p>Switching element</p> | | | | | | | | |
| 500 VAC | 6 A | Slow-make switching element | 1 NO | Silver | Plug 6.3 x 0.8 mm | 704.915.1 | 3 | 0.021 kg |
| | | | 1 NC | Silver | Plug 6.3 x 0.8 mm | 704.915.2 | 1 | 0.021 kg |
| | | | 2 NO | Silver | Plug 6.3 x 0.8 mm | 704.915.3 | 5 | 0.028 kg |
| | | | 2 NC | Silver | Plug 6.3 x 0.8 mm | 704.915.4 | 4 | 0.028 kg |
| | | | 1 NC + 1 NO | Silver | Plug 6.3 x 0.8 mm | 704.915.5 | 2 | 0.028 kg |
|  <p>Switching element</p> | | | | | | | | |
| 500 VAC | 6 A | Snap-action switching element | 1 NO | Gold | Double plug 6.3 x 0.8 mm | 704.901.1/D | 3 | 0.026 kg |
| | | | 1 NC | Gold | Double plug 6.3 x 0.8 mm | 704.901.2/D | 1 | 0.026 kg |
| | | | 2 NO | Gold | Double plug 6.3 x 0.8 mm | 704.901.3/D | 5 | 0.033 kg |
| | | | 2 NC | Gold | Double plug 6.3 x 0.8 mm | 704.901.4/D | 4 | 0.033 kg |
| | | | 1 NC + 1 NO | Gold | Double plug 6.3 x 0.8 mm | 704.901.5/D | 2 | 0.033 kg |
| | | | 1 NO | Silver | Double plug 6.3 x 0.8 mm | 704.905.1/D | 3 | 0.026 kg |
| | | | 1 NC | Silver | Double plug 6.3 x 0.8 mm | 704.905.2/D | 1 | 0.026 kg |
| | | | 2 NO | Silver | Double plug 6.3 x 0.8 mm | 704.905.3/D | 5 | 0.033 kg |
| | | | 2 NC | Silver | Double plug 6.3 x 0.8 mm | 704.905.4/D | 4 | 0.033 kg |
| | | | 1 NC + 1 NO | Silver | Double plug 6.3 x 0.8 mm | 704.905.5/D | 2 | 0.033 kg |
|  <p>Switching element</p> | | | | | | | | |
| 500 VAC | 6 A | Slow-make switching element | 1 NO | Silver | Double plug 6.3 x 0.8 mm | 704.915.1/D | 3 | 0.025 kg |
| | | | 1 NC | Silver | Double plug 6.3 x 0.8 mm | 704.915.2/D | 1 | 0.025 kg |
| | | | 2 NO | Silver | Double plug 6.3 x 0.8 mm | 704.915.3/D | 5 | 0.032 kg |
| | | | 2 NC | Silver | Double plug 6.3 x 0.8 mm | 704.915.4/D | 4 | 0.032 kg |
| | | | 1 NC + 1 NO | Silver | Double plug 6.3 x 0.8 mm | 704.915.5/D | 2 | 0.032 kg |

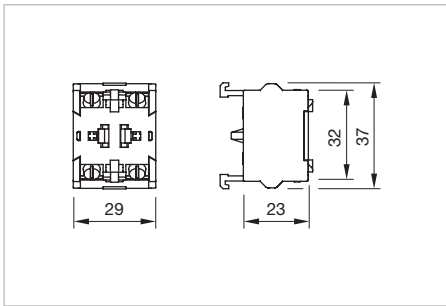
04 Accessories

| Switching voltage | Switching current | Switching system | Contacts | Contact material | Terminal | Part No. | Wiring diagram | Weight |
|--|-------------------|-------------------------------|------------------|------------------|----------|------------------|----------------|----------|
|  <p>Switching element</p> | | | | | | | | |
| 500 VAC | 10 A | Snap-action switching element | 1 NO | Gold | Screw | 704.901.1 | 3 | 0.021 kg |
| | | | 1 NC | Gold | Screw | 704.901.2 | 1 | 0.021 kg |
| | | | 2 NO | Gold | Screw | 704.901.3 | 5 | 0.028 kg |
| | | | 2 NC | Gold | Screw | 704.901.4 | 4 | 0.028 kg |
| | | | 1 NC + 1 NO | Gold | Screw | 704.901.5 | 2 | 0.028 kg |
| | | | 1 NO | Silver | Screw | 704.900.1 | 3 | 0.021 kg |
| | | | 1 NC | Silver | Screw | 704.900.2 | 1 | 0.021 kg |
| | | | 2 NO | Silver | Screw | 704.900.3 | 5 | 0.028 kg |
| | | | 2 NC | Silver | Screw | 704.900.4 | 4 | 0.028 kg |
| | | | 1 NC + 1 NO | Silver | Screw | 704.900.5 | 2 | 0.028 kg |
| | | | 1 NO | Palladium | Screw | 704.902.1 | 3 | 0.021 kg |
| | | | 1 NC | Palladium | Screw | 704.902.2 | 1 | 0.021 kg |
| | | | 2 NO | Palladium | Screw | 704.902.3 | 5 | 0.028 kg |
| | | | 2 NC | Palladium | Screw | 704.902.4 | 4 | 0.028 kg |
| 1 NC + 1 NO | Palladium | Screw | 704.902.5 | 2 | 0.028 kg | | | |
|  <p>Switching element</p> | | | | | | | | |
| 500 VAC | 10 A | Slow-make switching element | 1 NO | Gold | Screw | 704.911.1 | 3 | 0.021 kg |
| | | | 1 NC | Gold | Screw | 704.911.2 | 1 | 0.021 kg |
| | | | 2 NO | Gold | Screw | 704.911.3 | 5 | 0.028 kg |
| | | | 2 NC | Gold | Screw | 704.911.4 | 4 | 0.028 kg |
| | | | 1 NC + 1 NO | Gold | Screw | 704.911.5 | 2 | 0.028 kg |
| | | | 1 NO | Silver | Screw | 704.910.1 | 3 | 0.021 kg |
| | | | 1 NC | Silver | Screw | 704.910.2 | 1 | 0.021 kg |
| | | | 2 NO | Silver | Screw | 704.910.3 | 5 | 0.028 kg |
| | | | 2 NC | Silver | Screw | 704.910.4 | 4 | 0.028 kg |
| | | | 1 NC + 1 NO | Silver | Screw | 704.910.5 | 2 | 0.028 kg |
| | | | 1 NO | Palladium | Screw | 704.912.1 | 3 | 0.021 kg |
| | | | 2 NO | Palladium | Screw | 704.912.3 | 5 | 0.028 kg |
| | | | 2 NC | Palladium | Screw | 704.912.4 | 4 | 0.028 kg |
| | | | 1 NC + 1 NO | Palladium | Screw | 704.912.5 | 2 | 0.028 kg |



Contacts: NC = Normally closed, NO = Normally open



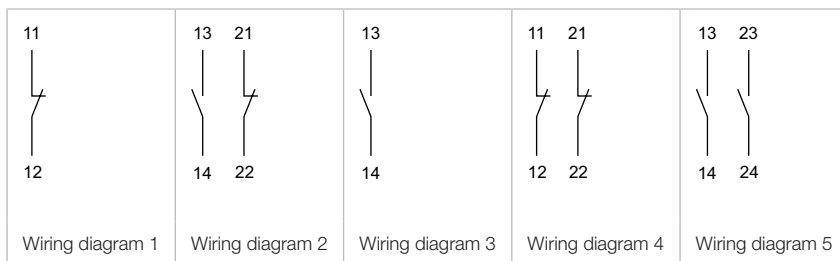
Switching element ring cable shoe



Dimensions [mm]

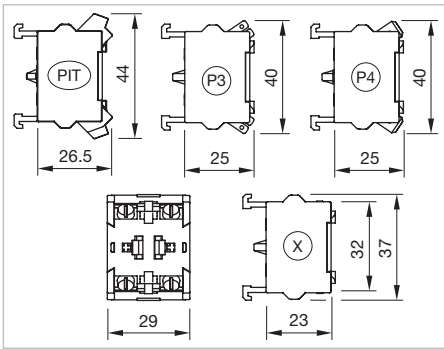
| Switching voltage | Switching current | Switching system | Contacts | Contact material | Terminal | Part No. | Wiring diagram | Weight |
|---|-------------------|-------------------------------|-------------|------------------|----------|-------------------|----------------|----------|
|  <p>Switching element for ring cable shoe</p> | | | | | | | | |
| 500 VAC | 10 A | Snap-action switching element | 1 NO | Silver | Screw | 704.900.1B | 3 | 0.021 kg |
| | | | 1 NC | Silver | Screw | 704.900.2B | 1 | 0.021 kg |
| | | | 2 NO | Silver | Screw | 704.900.3B | 5 | 0.028 kg |
| | | | 2 NC | Silver | Screw | 704.900.4B | 4 | 0.028 kg |
| | | | 1 NC + 1 NO | Silver | Screw | 704.900.5B | 2 | 0.028 kg |
|  <p>Switching element for ring cable shoe</p> | | | | | | | | |
| 500 VAC | 10 A | Slow-make switching element | 2 NO | Gold | Screw | 704.911.3B | 5 | 0.028 kg |
| | | | 2 NC | Gold | Screw | 704.911.4B | 4 | 0.028 kg |
| | | | 1 NC + 1 NO | Gold | Screw | 704.911.5B | 2 | 0.028 kg |
| | | | 1 NO | Silver | Screw | 704.910.1B | 3 | 0.021 kg |
| | | | 1 NC | Silver | Screw | 704.910.2B | 1 | 0.021 kg |
| | | | 2 NO | Silver | Screw | 704.910.3B | 5 | 0.028 kg |
| | | | 2 NC | Silver | Screw | 704.910.4B | 4 | 0.028 kg |
| | | | 1 NC + 1 NO | Silver | Screw | 704.910.5B | 2 | 0.028 kg |

Contacts: NC = Normally closed, NO = Normally open



04 Accessories

Switching element E-stop





Dimensions [mm]



PIT = Push-in terminal,

P3 = Plug-in terminal 6.3 x 0.8 mm,

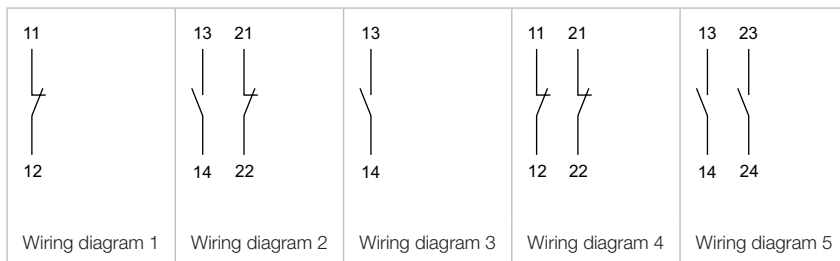
P4 = Double plug-in terminal 6.3 x 0.8 mm,

X = Screw terminal

| Switching voltage | Switching current | Switching system | Contacts | Contact material | Terminal | Part No. | Wiring diagram | Weight |
|---|-------------------|-----------------------------|-------------|------------------|-------------------|------------------|----------------|----------|
|  <p>Switching element for emergency-stop switch</p> | | | | | | | | |
| 250 VAC | 6 A | Slow-make switching element | 1 NO | Gold | Push-in Terminal | 704.917.1 | 3 | 0.019 kg |
| | | | 1 NC | Gold | Push-in Terminal | 704.917.2 | 1 | 0.019 kg |
| | | | 2 NO | Gold | Push-in Terminal | 704.917.3 | 5 | 0.026 kg |
| | | | 2 NC | Gold | Push-in Terminal | 704.917.4 | 4 | 0.019 kg |
| | | | 1 NC + 1 NO | Gold | Push-in Terminal | 704.917.5 | 2 | 0.026 kg |
| | | | 1 NO | Silver | Push-in Terminal | 704.918.1 | 3 | 0.019 kg |
| | | | 1 NC | Silver | Push-in Terminal | 704.918.2 | 1 | 0.019 kg |
| | | | 2 NO | Silver | Push-in Terminal | 704.918.3 | 5 | 0.026 kg |
| | | | 2 NC | Silver | Push-in Terminal | 704.918.4 | 4 | 0.019 kg |
| | | | 1 NC + 1 NO | Silver | Push-in Terminal | 704.918.5 | 2 | 0.026 kg |
|  <p>Switching element for emergency-stop switch</p> | | | | | | | | |
| 500 VAC | 6 A | Slow-make switching element | 1 NO | Silver | Plug 6.3 x 0.8 mm | 704.915.1 | 3 | 0.021 kg |
| | | | 1 NC | Silver | Plug 6.3 x 0.8 mm | 704.915.2 | 1 | 0.021 kg |
| | | | 2 NO | Silver | Plug 6.3 x 0.8 mm | 704.915.3 | 5 | 0.028 kg |
| | | | 2 NC | Silver | Plug 6.3 x 0.8 mm | 704.915.4 | 4 | 0.028 kg |
| | | | 1 NC + 1 NO | Silver | Plug 6.3 x 0.8 mm | 704.915.5 | 2 | 0.028 kg |

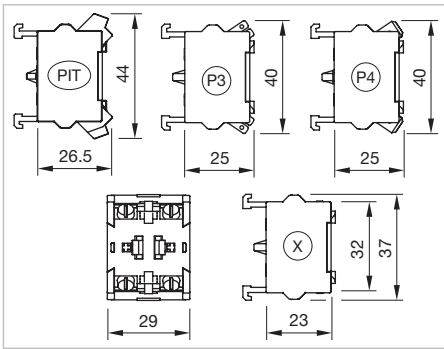
| Switching voltage | Switching current | Switching system | Contacts | Contact material | Terminal | Part No. | Wiring diagram | Weight |
|---|-------------------|-----------------------------|-------------|------------------|--------------------------|--------------------|----------------|----------|
|  <p style="text-align: center;">Switching element for emergency-stop switch</p> | | | | | | | | |
| 500 VAC | 6 A | Slow-make switching element | 1 NO | Silver | Double plug 6.3 x 0.8 mm | 704.915.1/D | 3 | 0.025 kg |
| | | | 1 NC | Silver | Double plug 6.3 x 0.8 mm | 704.915.2/D | 1 | 0.025 kg |
| | | | 2 NO | Silver | Double plug 6.3 x 0.8 mm | 704.915.3/D | 5 | 0.032 kg |
| | | | 2 NC | Silver | Double plug 6.3 x 0.8 mm | 704.915.4/D | 4 | 0.032 kg |
| | | | 1 NC + 1 NO | Silver | Double plug 6.3 x 0.8 mm | 704.915.5/D | 2 | 0.032 kg |
|  <p style="text-align: center;">Switching element for emergency-stop switch</p> | | | | | | | | |
| 500 VAC | 10 A | Slow-make switching element | 1 NO | Gold | Screw | 704.911.1 | 3 | 0.021 kg |
| | | | 1 NC | Gold | Screw | 704.911.2 | 1 | 0.021 kg |
| | | | 2 NO | Gold | Screw | 704.911.3 | 5 | 0.028 kg |
| | | | 2 NC | Gold | Screw | 704.911.4 | 4 | 0.028 kg |
| | | | 1 NC + 1 NO | Gold | Screw | 704.911.5 | 2 | 0.028 kg |
| | | | 1 NO | Silver | Screw | 704.910.1 | 3 | 0.021 kg |
| | | | 1 NC | Silver | Screw | 704.910.2 | 1 | 0.021 kg |
| | | | 2 NO | Silver | Screw | 704.910.3 | 5 | 0.028 kg |
| | | | 2 NC | Silver | Screw | 704.910.4 | 4 | 0.028 kg |
| | | | 1 NC + 1 NO | Silver | Screw | 704.910.5 | 2 | 0.028 kg |
| | | | 1 NO | Palladium | Screw | 704.912.1 | 3 | 0.021 kg |
| | | | 2 NO | Palladium | Screw | 704.912.3 | 5 | 0.028 kg |
| | | | 2 NC | Palladium | Screw | 704.912.4 | 4 | 0.028 kg |
| | | | 1 NC + 1 NO | Palladium | Screw | 704.912.5 | 2 | 0.028 kg |

Contacts: NC = Normally closed, NO = Normally open



04 Accessories

Switching element failsafe







Dimensions [mm]


PIT = Push-in terminal,

P3 = Plug-in terminal 6.3 x 0.8 mm,

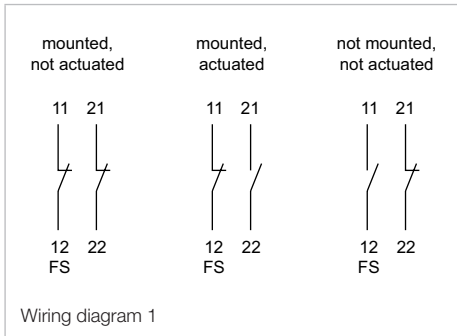
P4 = Double plug-in terminal 6.3 x 0.8 mm,

X = Screw terminal

| Product attribute | Switching voltage | Switching current | Switching system | Contacts | Contact material | Terminal | Part No. | Wiring diagram | Weight |
|--|-------------------|-------------------|-----------------------------|-------------|------------------|--------------------------|----------------------|----------------|----------|
|  <p>Switching element failsafe</p> | 500 VAC | 10 A | Slow-make switching element | 1 NC + 1 FS | Silver | Screw | 704.910.4FS | 1 | 0.027 kg |
| | | | | | Gold | Screw | 704.911.4FS | 1 | 0.027 kg |
|  <p>Switching element failsafe</p> | 500 VAC | 10 A | Slow-make switching element | 1 NC + 1 FS | Silver | Screw | 704.910.4BFS | 1 | 0.027 kg |
| | | | | | Gold | Screw | 704.911.4BFS | 1 | 0.027 kg |
|  <p>Switching element failsafe</p> | 500 VAC | 10 A | Slow-make switching element | 1 NC + 1 FS | Silver | Plug-in connection | 704.915.4FS | 1 | 0.027 kg |
| | | | | | Gold | Double plug 6.3 x 0.8 mm | 704.911.4/DFS | 1 | 0.027 kg |
|  <p>Switching element failsafe</p> | 500 VAC | 10 A | Slow-make switching element | 1 NC + 1 FS | Silver | Double plug 6.3 x 0.8 mm | 704.915.4/DFS | 1 | 0.027 kg |
| | | | | | Gold | Double plug 6.3 x 0.8 mm | 704.911.4/DFS | 1 | 0.027 kg |

| Product attribute | Switching voltage | Switching current | Switching system | Contacts | Contact material | Terminal | Part No. | Wiring diagram | Weight |
|--|-------------------|-------------------|-----------------------------|-------------|------------------|------------------|--------------------|----------------|----------|
|  <p>Switching element failsafe</p> | 500 VAC | 10 A | Slow-make switching element | 1 NC + 1 FS | Gold | Push-in Terminal | 704.917.4FS | 1 | 0.027 kg |
| | | | | | Silver | Push-in Terminal | 704.918.4FS | 1 | 0.027 kg |


Contacts: NC = Normally closed, FS = Failsafe

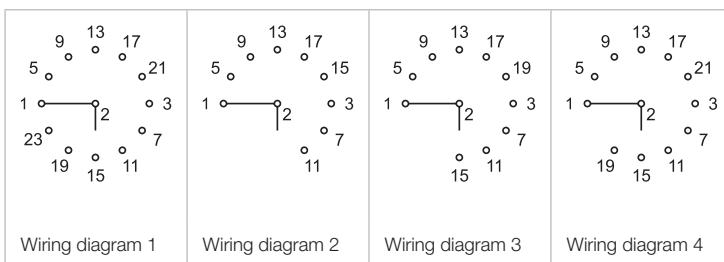


Rotary switching element 30°

Additional Information

- Switching positions and functions of the rotary switching element are being produced according to customer specifications. Please contact your local EAO Sales Office

| Product attribute | Switching positions | Rotary positions | Multi-step switch | Stages | Terminal | Part No. | Wiring diagram | Weight |
|--|---------------------|------------------|-------------------|--------|----------|------------------|----------------|----------|
|  <p>Rotary switching element 30°</p> | A = Rest, I = End | 9 | 1 pole | 5 | Screw | 704.8A236 | 2 | 0.073 kg |
| | A = Rest, K = End | 20 | 1 pole | 5 | Screw | 704.8A237 | 3 | 0.073 kg |
| | A = Rest, L = End | 11 | 1 pole | 6 | Screw | 704.8A238 | 4 | 0.082 kg |
| | A = Rest, M = End | 12 | 1 pole | 6 | Screw | 704.8A239 | 1 | 0.082 kg |
| without stop | A = Rest | 12 | 1 pole | 6 | Screw | 704.8A639 | 1 | 0.082 kg |




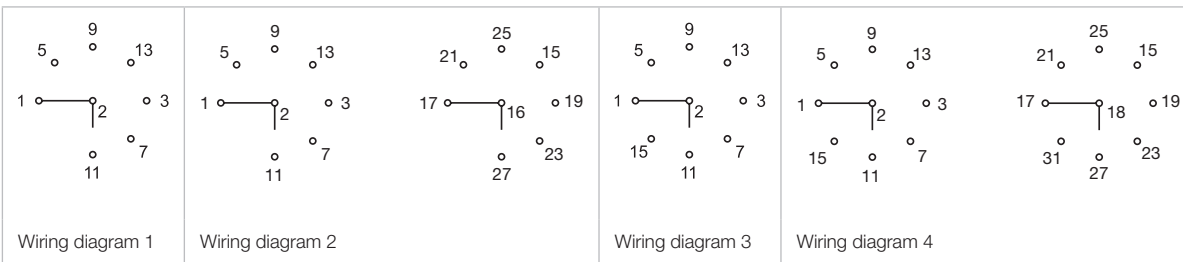
04 Accessories

Rotary switching element 45°

Additional Information

- Switching positions and functions of the rotary switching element are being produced according to customer specifications. Please contact your local EAO Sales Office


| Switching positions | Rotary positions | Multi-step switch | Stages | Terminal | Part No. | Wiring diagram | Weight |
|--|------------------|-------------------|--------|----------|------------------|----------------|----------|
|  Rotary switching element 45° | | | | | | | |
| A = Rest, G = End | 7 | 1 pole | 4 | Screw | 704.8A234 | 1 | 0.064 kg |
| | | 2 pole | 7 | Screw | 704.8A254 | 2 | 0.091 kg |
| A = Rest, H = End | 8 | 1 pole | 4 | Screw | 704.8A235 | 3 | 0.064 kg |
| | | 2 pole | 8 | Screw | 704.8A255 | 4 | 0.100 kg |

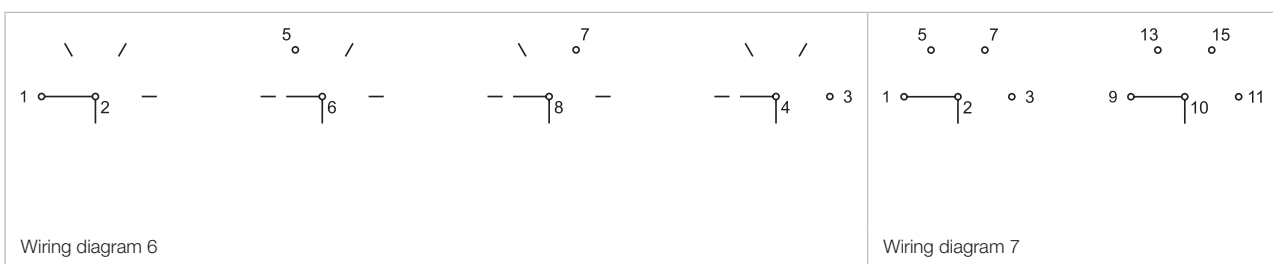
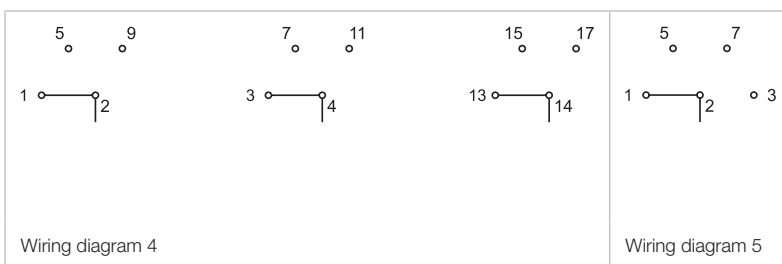
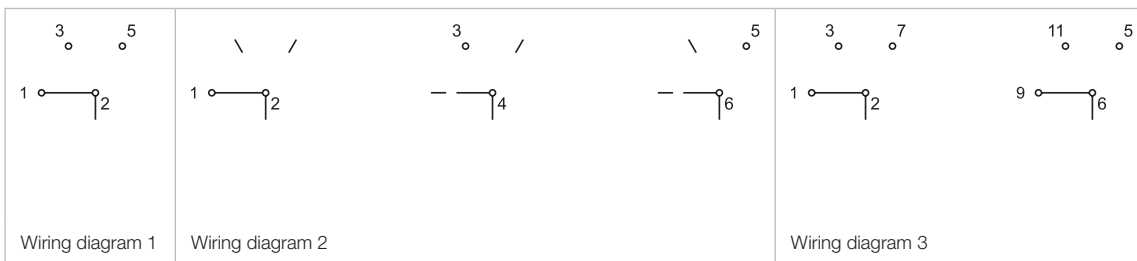


Rotary switching element 60°

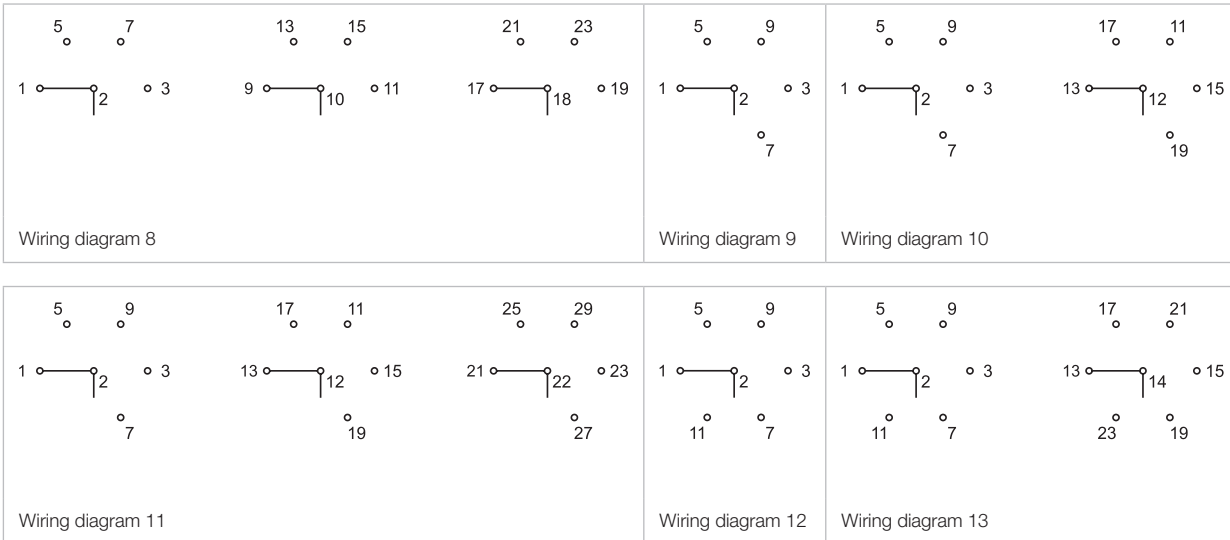
Additional Information

- Switching positions and functions of the rotary switching element are being produced according to customer specifications. Please contact your local EAO Sales Office

| Switching positions | Rotary positions | Multi-step switch | Stages | Terminal | Part No. | Wiring diagram | Weight |
|--|------------------|-------------------------------|--------|----------|------------------|----------------|----------|
|  Rotary switching element 60° | | | | | | | |
| A = Rest, C = End | 3 | 1 pole | 2 | Screw | 704.8A230 | 1 | 0.046 kg |
| | | 1 pole, electrically isolated | 2 | Screw | 704.8A730 | 2 | 0.046 kg |
| | | 2 pole | 3 | Screw | 704.8A250 | 3 | 0.055 kg |
| | | 3 pole | 5 | Screw | 704.8A270 | 4 | 0.073 kg |
| A = Rest, D = End | 4 | 1 pole | 2 | Screw | 704.8A231 | 5 | 0.046 kg |
| | | 1 pole, electrically isolated | 2 | Screw | 704.8A731 | 6 | 0.046 kg |
| | | 2 pole | 4 | Screw | 704.8A251 | 7 | 0.064 kg |
| | | 3 pole | 6 | Screw | 704.8A271 | 8 | 0.082 kg |
| A = Rest, E = End | 5 | 1 pole | 3 | Screw | 704.8A232 | 9 | 0.055 kg |
| | | 2 pole | 5 | Screw | 704.8A252 | 10 | 0.073 kg |
| | | 3 pole | 8 | Screw | 704.8A272 | 11 | 0.100 kg |
| A = Rest, F = End | 6 | 1 pole | 3 | Screw | 704.8A233 | 12 | 0.055 kg |
| | | 2 pole | 6 | Screw | 704.8A253 | 13 | 0.082 kg |



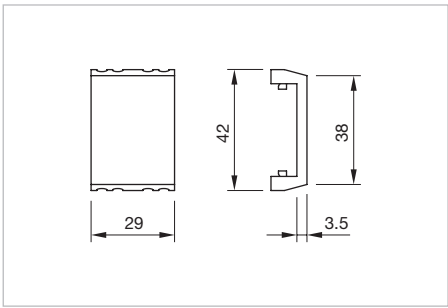
04 Accessories




Terminal cover

Additional Information


- For covering of screw terminal



Dimensions [mm]

| Part No. | Weight |
|--|----------|
|  <p>Terminal cover</p> | |
| 704.964.5 | 0.003 kg |

Terminal marking


| Product attribute | Marking | Part No. | Weight |
|--|-------------|------------------|----------|
|  <p>Terminal marking</p> | | | |
| 2 NO for 1st or 2nd switching element | 13/23 33/43 | 704.965.1 | 0.001 kg |
| | 24/14 44/34 | 704.965.2 | 0.001 kg |
| 2 NO for 3rd switching element | 53/63 73/83 | 704.965.3 | 0.001 kg |
| | 64/54 84/74 | 704.965.4 | 0.001 kg |
| 2 NC for 1st or 2nd switching element | 11/21 31/41 | 704.965.5 | 0.001 kg |
| | 22/12 42/32 | 704.965.6 | 0.001 kg |
| 2 NC for 3rd switching element | 51/61 71/81 | 704.965.7 | 0.001 kg |
| | 62/52 82/72 | 704.965.8 | 0.001 kg |
| 1 NC + 1 NO for 1st or 2nd switching element | 13/21 33/41 | 704.965.9 | 0.001 kg |
| | 22/14 42/34 | 704.966.0 | 0.001 kg |
| 1 NC + 1 NO for 3rd switching element | 53/61 73/81 | 704.966.1 | 0.001 kg |
| | 62/54 82/74 | 704.966.2 | 0.001 kg |

Contacts: NC = Normally closed, NO = Normally open

Contact bridge

Additional Information

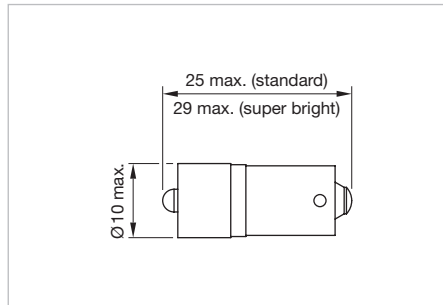
- For switching element with screw terminals
- Do not insert by Emergency-stop switches and by stop switches
- Available in unit of 10 pieces

| Part No. | Weight |
|--|----------|
|  <p>Contact bridge</p> | |
| 704.990.1 | 0.001 kg |


LED, BA9s




Additional Information

- The specified 6 VDC, 24 VDC Bi-colour; 130 VAC, 130 DC und 230 VAC versions are built with a protection diode
- The specified 12, 24, 28, 48 VAC/DC versions are built with a bridge rectifier
- The specified 130 VAC types are developed to run on a supply voltage of 130 VAC only. An operation at a higher supply voltage using commercial lampholders with integrated resistors, is not approved
- If the 24VDC Bi-colour lamp is driven with normal polarity (plus on middle contact of the lamp) the first mentioned colour will light up, with inverted polarity the second colour will light up
- Luminous intensity data of the LEDs on direct voltage
- Electrical and optical data are measured at 25 °C
- Luminosity and wave length variations caused by LED manufacturing processes may cause slight differences regarding the illumination



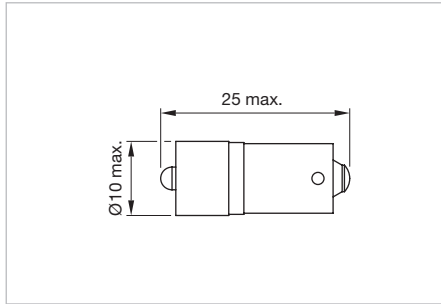
Dimensions [mm]

| LED colour | Operating voltage | Operation current | Lumi. intensity | Dom. wavelength | Part No. | Weight |
|--|-------------------|-------------------|-----------------|-----------------|---------------------|----------|
|  <h4>Single-LED</h4> | | | | | | |
| Single-LED red | 6 VDC +10 % | 17 mA ±15 % | 400 mcd | 630 nm | 10-2506.1082 | 0.002 kg |
| | 12 VAC/DC +10 % | 16 mA ±15 % | 390 mcd | 630 nm | 10-2509.1142 | 0.002 kg |
| | 24 VAC/DC +10 % | 15 mA ±15 % | 350 mcd | 630 nm | 10-2512.1142 | 0.002 kg |
| | 28 VAC/DC +10 % | 13 mA ±15 % | 300 mcd | 630 nm | 10-2513.1142 | 0.002 kg |
| | 48 VAC/DC +10 % | 8 mA ±15 % | 200 mcd | 630 nm | 10-2519.1052 | 0.002 kg |
| | 130 VDC +10 % | 3 mA ±15 % | 120 mcd | 630 nm | 10-2524.3042 | 0.002 kg |
| | 130 VAC +10 % | 5 mA ±15 % | 180 mcd | 630 nm | 10-2H24.2052 | 0.002 kg |
| | 230 VAC +10 % | 3 mA ±15 % | 120 mcd | 630 nm | 10-2H25.2042 | 0.002 kg |
| Single-LED yellow | 6 VDC +10 % | 17 mA ±15 % | 340 mcd | 587 nm | 10-2506.1084 | 0.002 kg |
| | 12 VAC/DC +10 % | 16 mA ±15 % | 340 mcd | 587 nm | 10-2509.1144 | 0.002 kg |
| | 24 VAC/DC +10 % | 15 mA ±15 % | 300 mcd | 587 nm | 10-2512.1144 | 0.002 kg |
| | 28 VAC/DC +10 % | 13 mA ±15 % | 270 mcd | 587 nm | 10-2513.1144 | 0.002 kg |
| | 48 VAC/DC +10 % | 8 mA ±15 % | 180 mcd | 587 nm | 10-2519.1054 | 0.002 kg |
| | 130 VDC +10 % | 3 mA ±15 % | 110 mcd | 587 nm | 10-2524.3044 | 0.002 kg |
| | 130 VAC +10 % | 5 mA ±15 % | 160 mcd | 587 nm | 10-2H24.2054 | 0.002 kg |
| | 230 VAC +10 % | 3 mA ±15 % | 110 mcd | 587 nm | 10-2H25.2044 | 0.002 kg |
| Single-LED green | 6 VDC +10 % | 7 mA ±15 % | 1050 mcd | 525 nm | 10-2506.1085 | 0.002 kg |
| | 12 VAC/DC +10 % | 7 mA ±15 % | 1050 mcd | 525 nm | 10-2509.1145 | 0.002 kg |
| | 24 VAC/DC +10 % | 7 mA ±15 % | 1050 mcd | 525 nm | 10-2512.1145 | 0.002 kg |
| | 28 VAC/DC +10 % | 7 mA ±15 % | 1050 mcd | 525 nm | 10-2513.1145 | 0.002 kg |
| | 48 VAC/DC +10 % | 4 mA ±15 % | 600 mcd | 525 nm | 10-2519.1055 | 0.002 kg |
| | 130 VDC +10 % | 2 mA ±15 % | 300 mcd | 525 nm | 10-2524.3045 | 0.002 kg |
| | 130 VAC +10 % | 3 mA ±15 % | 450 mcd | 525 nm | 10-2H24.2055 | 0.002 kg |
| | 230 VAC +10 % | 2 mA ±15 % | 300 mcd | 525 nm | 10-2H25.2045 | 0.002 kg |

| LED colour | Operating voltage | Operation current | Lumi. intensity | Dom. wavelength | Part No. | Weight |
|--|--------------------|-------------------|-----------------|-----------------|----------------------|----------|
| Single-LED blue | 6 VDC +10 % | 17 mA ±15 % | 780 mcd | 470 nm | 10-2506.1086 | 0.002 kg |
| | 12 VAC/DC +10 % | 16 mA ±15 % | 720 mcd | 470 nm | 10-2509.1146 | 0.002 kg |
| | 24 VAC/DC +10 % | 15 mA ±15 % | 680 mcd | 470 nm | 10-2512.1146 | 0.002 kg |
| | 28 VAC/DC +10 % | 13 mA ±15 % | 590 mcd | 470 nm | 10-2513.1146 | 0.002 kg |
| | 48 VAC/DC +10 % | 8 mA ±15 % | 400 mcd | 470 nm | 10-2519.1056 | 0.002 kg |
| | 130 VDC +10 % | 3 mA ±15 % | 200 mcd | 470 nm | 10-2524.3046 | 0.002 kg |
| | 130 VAC +10 % | 5 mA ±15 % | 230 mcd | 470 nm | 10-2H24.2056 | 0.002 kg |
| | 230 VAC +10 % | 3 mA ±15 % | 200 mcd | 470 nm | 10-2H25.2046 | 0.002 kg |
| Single-LED white | 6 VDC +10 % | 5 mA ±15 % | 750 mcd | x0.31/y0.32 nm | 10-2506.1089 | 0.002 kg |
| | 12 VAC/DC +10 % | 8 mA ±15 % | 1200 mcd | x0.31/y0.32 nm | 10-2509.1149 | 0.002 kg |
| | 24 VAC/DC +10 % | 7 mA ±15 % | 1050 mcd | x0.31/y0.32 nm | 10-2512.1149 | 0.002 kg |
| | 28 VAC/DC +10 % | 5 mA ±15 % | 750 mcd | x0.31/y0.32 nm | 10-2513.1149 | 0.002 kg |
| | 48 VAC/DC +10 % | 5 mA ±15 % | 750 mcd | x0.31/y0.32 nm | 10-2519.1059 | 0.002 kg |
| | 130 VDC +10 % | 1.5 mA ±15 % | 225 mcd | x0.31/y0.32 nm | 10-2524.3049 | 0.002 kg |
| | 130 VAC +10 % | 2 mA ±15 % | 300 mcd | x0.31/y0.32 nm | 10-2H24.2059 | 0.002 kg |
| | 230 VAC +10 % | 1.5 mA ±15 % | 225 mcd | x0.31/y0.32 nm | 10-2H25.2049 | 0.002 kg |
|  <p>Single-LED super bright</p> | | | | | | |
| Single-LED red | 28 VAC/DC +10 % | 14 mA ±15 % | 7700 mcd | 630 nm | 10-2413.1132R | 0.002 kg |
| Single-LED green | 28 VAC/DC +10 % | 13 mA ±15 % | 12400 mcd | 525 nm | 10-2413.1125R | 0.002 kg |
| Single-LED yellow | 28 VAC/DC +10 % | 14 mA ±15 % | 4200 mcd | 589 nm | 10-2413.1134R | 0.002 kg |
|  <p>Single-LED with integrated Zener diode</p> | | | | | | |
| Single-LED red | 24–30 VAC/DC +10 % | 13–19 mA ±15 % | 300–440 mcd | 630 nm | 10-2H13.3162Q | 0.002 kg |
| Single-LED green | 24–30 VAC/DC +10 % | 12–18 mA ±15 % | 1800–2700 mcd | 525 nm | 10-2H13.3165Q | 0.002 kg |
| Single-LED yellow | 24–30 VAC/DC +10 % | 13–19 mA ±15 % | 270–380 mcd | 587 nm | 10-2H13.3164Q | 0.002 kg |
| Single-LED blue | 24–30 VAC/DC +10 % | 12–18 mA ±15 % | 560–800 mcd | 470 nm | 10-2H13.3166Q | 0.002 kg |
| Single-LED white diffuse | 24–30 VAC/DC +10 % | 7–11 mA ±15 % | 600–900 mcd | x0.31/y0.32 | 10-2H13.3169Q | 0.002 kg |
|  <p>Bi-colour LED</p> | | | | | | |
| Bi-colour LED red/green | 24 VDC +10 % | 15 mA ±15 % | 1200/900 mcd | 625/525 nm | 10-2H12.314A | 0.002 kg |
| Bi-colour LED red/yellow | 24 VDC +10 % | 15 mA ±15 % | 1200/550 mcd | 625/589 nm | 10-2H12.314B | 0.002 kg |
| Bi-colour LED yellow/green | 24 VDC +10 % | 15 mA ±15 % | 900/550 mcd | 525/589 nm | 10-2H12.314C | 0.002 kg |

04 Accessories

LED BA9s, EN 50155, Fail Safe




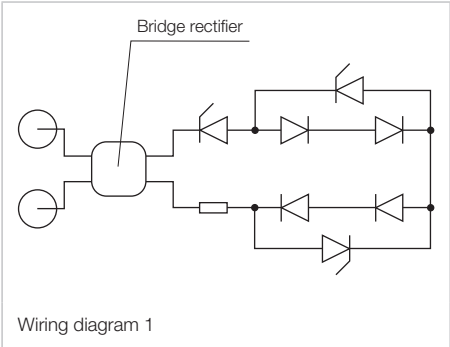
Product can differ from the current configuration.

Dimensions [mm]

Additional Information

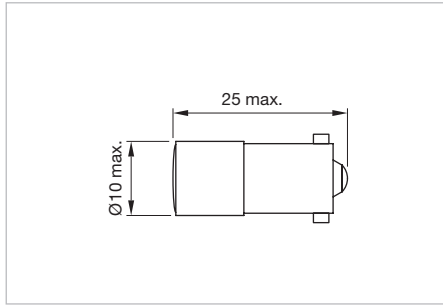
- A suitable LED remover Part No. 700.006.0 (Series 44 Part No. 44-935)
- Luminous intensity data of the LEDs on direct voltage
- Electrical and optical data are measured at 25 °C
- The specified 72 and 110 VAC/VDC versions are built with a protection diode
- Specified 72 and 110 VAC/VDC versions are built with a bridge rectifier
- In case one LED fails, the other pair of still functioning LED-s is working. The light output then is half in order to indicate the malfunction and shows this way the need for replacement
- Luminosity and wave length variations caused by LED manufacturing processes may cause slight differences regarding the illumination

| LED colour | Operating voltage | Operation current | Lumi. intensity | Dom. wavelength | Part No. | Wiring diagram | Weight |
|--|-----------------------|-------------------|-----------------|-----------------|----------------------|----------------|----------|
|  <p>Multi-LED Fail Safe</p> | | | | | | | |
| Multi-LED rot | 72 VAC/DC -30%/+25 % | 2.2 mA -30%/+25 % | 4 x 190 mcd | 625 nm | 10-4H21.1032P | 1 | 0.002 kg |
| | 110 VAC/DC -30%/+25 % | 2 mA -30 % /+25% | 4 x 170 mcd | 625 nm | 10-4H22.1032P | 1 | 0.002 kg |
| Multi-LED yellow | 72 VAC/DC -30%/+25 % | 2.2 mA -30%/+25 % | 4 x 190 mcd | 589 nm | 10-4H21.1034P | 1 | 0.002 kg |
| | 110 VAC/DC -30%/+25 % | 2 mA -30%/+25 % | 4 x 170 mcd | 589 nm | 10-4H22.1034P | 1 | 0.002 kg |
| Multi-LED green | 72 VAC/DC -30%/+25 % | 2.2 mA -30%/+25 % | 4 x 120 mcd | 525 nm | 10-4H21.1035P | 1 | 0.002 kg |
| | 110 VAC/DC -30%/+25 % | 2 mA -30%/+25 % | 4 x 170 mcd | 525 nm | 10-4H22.1035P | 1 | 0.002 kg |
| Multi-LED blue | 72 VAC/DC -30%/+25 % | 2.2 mA -30%/+25 % | 4 x 30 mcd | 465 nm | 10-4H21.1036P | 1 | 0.002 kg |
| | 110 VAC/DC -30%/+25 % | 2 mA -30%/+25 % | 4 x 25 mcd | 465 nm | 10-4H22.1036P | 1 | 0.002 kg |
| Multi-LED white | 72 VAC/DC -30%/+25 % | 2.2 mA -30%/+25 % | 4 x 160 mcd | | 10-4H21.1039P | 1 | 0.002 kg |
| | 110 VAC/DC -30%/+25 % | 2 mA -30%/+25 % | 4 x 145 mcd | | 10-4H22.1039P | 1 | 0.002 kg |



04 Accessories

LED BA9s, EN 50155




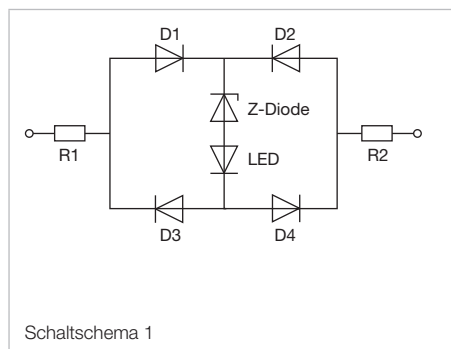
Product can differ from the current configuration.

Dimensions [mm]

Additional Information

- A suitable LED remover Part No. 700.006.0 (Series 44 Part No. 44-935)
- Luminous intensity data of the LEDs on direct voltage
- Electrical and optical data are measured at 25 °C
- The specified 24 VAC/VDC versions are built with a protection diode
- Specified 24 VAC/VDC versions are built with a bridge rectifier
- The new, white BA9s LED operates within a range of 16VDC to 34VDC. It conforms to the norms EN 50155 and IEEE 1476.
- Luminosity and wave length variations caused by LED manufacturing processes may cause slight differences regarding the illumination


| LED colour | Operating voltage | Operation current | Lumi. intensity | Dom. wavelength | Part No. | Wiring diagram | Weight |
|--|----------------------|-------------------|-----------------|-----------------|----------------------|----------------|----------|
|  | Multi-LED | | | | | | |
| Multi-LED white | 24 VAC/DC -30%/+25 % | 7.5 mA -30%/+25 % | 700 mcd | 625 nm | 10-2412.1089P | 1 | 0.002 kg |



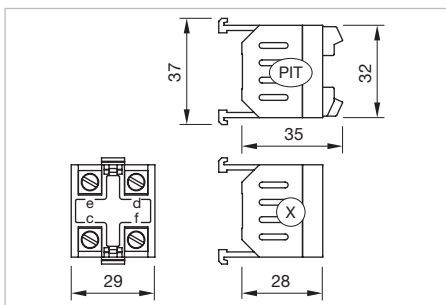
Filament lamp, BA9s

Additional Information


- The max. overall length of the lamp may not exceed 28 mm

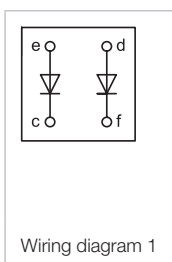
| Operating voltage | Operation current | Part No. | Weight |
|---|-------------------|---------------------|----------|
|  <p>Filament lamp</p> | | | |
| 12 VAC/DC | 100 mA±10 % | 10-1409.1329 | 0.002 kg |
| 24 VAC/DC | 50 mA±10 % | 10-1412.1279 | 0.002 kg |
| 36 VAC/DC | 56 mA±10 % | 10-1416.1289 | 0.002 kg |
| 60 VAC/DC | 33 mA±10 % | 10-1420.1219 | 0.002 kg |
| 110 VAC/DC | 22 mA±10 % | 10-1422.1179 | 0.002 kg |
| 130 VAC/DC | 20 mA±10 % | 10-1424.1179 | 0.002 kg |

Diode block



Dimensions [mm]
 PIT = Push-in terminal,
 X = Screw terminal

| Diode 1N4007 | Terminal | Part No. | Wiring diagram | Weight |
|---|------------------|-------------------|----------------|----------|
|  | | | | |
| 2 | Push-in Terminal | 704.942.5P | 1 | 0.016 kg |
| | Screw | 704.942.5 | 1 | 0.019 kg |

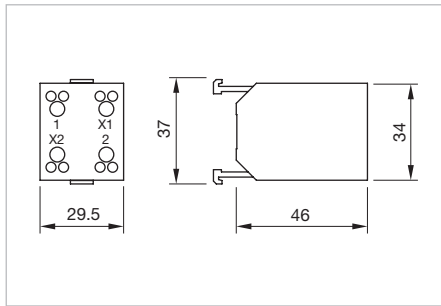


04 Accessories


Lamp transformer

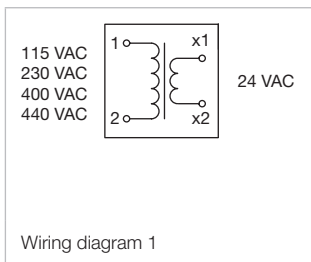
Additional Information

- Lamp voltage/-current 24 VAC, 50 mA, 50/60 Hz

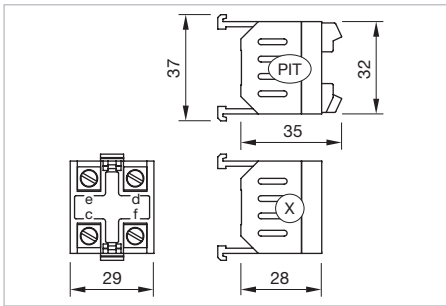


Dimensions [mm]


| Operating voltage | Terminal | Part No. | Wiring diagram | Weight |
|--|----------|------------------|----------------|----------|
|  Lamp transformer | | | | |
| 115 VAC / 24 VAC | Screw | 704.970.3 | 1 | 0.100 kg |
| 230 VAC / 24 VAC | Screw | 704.970.4 | 1 | 0.100 kg |
| 400 VAC / 24 VAC | Screw | 704.970.5 | 1 | 0.100 kg |
| 440 VAC / 24 VAC | Screw | 704.970.6 | 1 | 0.100 kg |

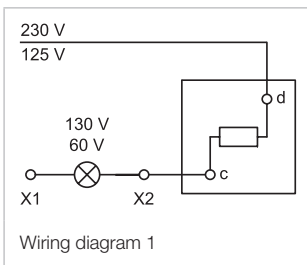


Resistor block



Dimensions [mm]
 PIT = Push-in terminal,
 X = Screw terminal

| Product attribute | Operating voltage | Terminal | Part No. | Wiring diagram | Weight |
|---|-------------------|------------------|-------------------|----------------|----------|
|  | | | | | |
| Lamp voltage/-current 130 V, 20 mA | 230 / 130 VAC | Screw | 704.941.0 | 1 | 0.017 kg |
| Lamp voltage/- current 60 V, 33 mA | 125 / 60 VAC | Push-in Terminal | 704.941.5P | 1 | 0.014 kg |
| | 125 / 60 VAC | Screw | 704.941.5 | 1 | 0.017 kg |

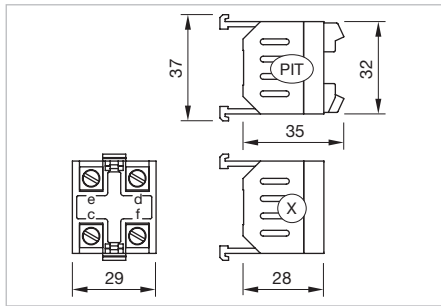


04 Accessories


Resistor-diode block

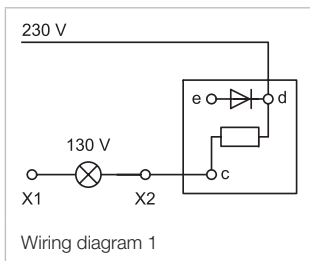
Zusätzliche Informationen

- Lamp voltage/-current 130 V, 20 mA



Dimensions [mm]
 PIT = Push-in terminal,
 X = Screw terminal


| Operating voltage | Terminal | Part No. | Wiring diagram | Weight |
|---|----------|------------------|----------------|----------|
|  | | | | |
| 230 / 130 VAC | Screw | 704.941.9 | 1 | 0.017 kg |



Terminal plate empty

Additional Information

- For fitting with series resistors





| Product attribute | Dimension | Part No. | Weight |
|--|--------------------|-----------------|----------|
|  | | | |
| Terminal plate empty | | | |
| 5 spaces | 62.5 x 60 x 15 mm | 02-912.1 | 0.025 kg |
| 10 spaces | 125 x 60 x 15 mm | 02-912.2 | 0.045 kg |
| 15 spaces | 187.6 x 60 x 15 mm | 02-912.3 | 0.090 kg |
| 20 spaces | 250 x 60 x 15 mm | 02-912.4 | 0.095 kg |

Emergency-stop switch

Emergency-stop legend

Additional Information

- Front panel thickness 3 mm max.

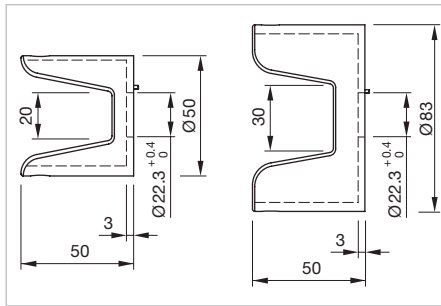
| Dimension | Mounting cut-out | Marking | Colour | Part No. | Weight |
|---|------------------|-----------------|--------|------------------|----------|
|  | | | | | |
| Emergency-stop legend | | | | | |
| Ø 59 x 1 mm | Ø 22.5 mm | NOT AUS | yellow | 704.963.5 | 0.011 kg |
| | | EMERGENCY STOP | yellow | 704.963.6 | 0.011 kg |
| | | ARRET D'URGENCE | yellow | 704.963.7 | 0.011 kg |
| | | Symbol | yellow | 704.963.8 | 0.011 kg |
|  | | | | | |
| Emergency-stop legend | | | | | |
| Ø 59 x 1 mm | Ø 22.5 mm | Symbol | yellow | 704.963.9 | 0.011 kg |
|  | | | | | |
| Emergency-stop legend | | | | | |
| Ø 90 x 1 mm | Ø 22.5 mm | NOT AUS | yellow | 704.963.0 | 0.011 kg |
| | | EMERGENCY STOP | yellow | 704.963.1 | 0.011 kg |
| | | ARRET D'URGENCE | yellow | 704.963.2 | 0.011 kg |
| | | NOT HALT | yellow | 704.963.3 | 0.011 kg |
|  | | | | | |
| Emergency-stop legend | | | | | |
| Ø 90 x 1 mm | Ø 22.5 mm | Symbol | yellow | 704.963.4 | 0.011 kg |

04 Accessories



E-stop protective shroud, IP65

Additional Information

- Use only for Part No. 704.064.2 und 704.066.2
- The protection shroud is not suitable for a proper use of emergency-stop. It can obstruct a spontaneous operation of the emergency-stop



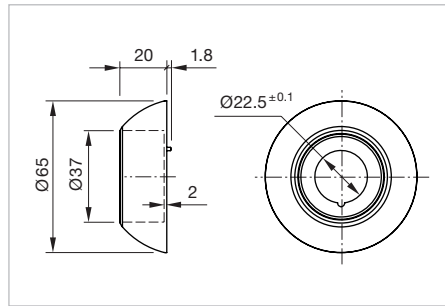
Dimensions [mm]

| Dimension | Material | Colour | Standard | Part No. | Weight |
|---|---------------------------------|--------|-------------------|------------------|----------|
|  | E-stop protective shroud | | | | |
| Ø 50 mm | Plastic | yellow | | 704.927.8 | 0.052 kg |
|  | E-stop protective shroud | | | | |
| Ø 83 mm | Plastic | yellow | SEMI S2-93/12.4.c | 704.927.9 | 0.067 kg |


E-stop protective shroud, IP 67

Additional Information

- Front panel thickness 1 2.5 mm other actuators
- Front panel thickness 1 5 mm Emergency-stop switch
- With anti-twist device
- When using a protective shroud the e-stop or stop switch has to be turned by 180° to be mounted. See dimensional drawing
- Do not use solvents when cleaning



Dimensions mm]

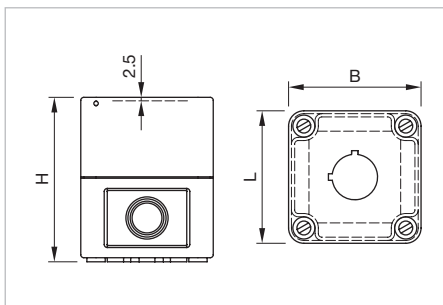
| Dimension | Marking | Colour | Protection degree | Part No. | Weight |
|--|--------------------------|--------|-------------------|-------------------|----------|
|  <p>E-stop protective shroud</p> | | | | | |
| Ø 65 mm | | yellow | IK 07 | 704.927.6 | 0.017 kg |
| | NOT-AUS | yellow | IK 07 | 704.927.6A | 0.017 kg |
| | EMERGENCY-STOP | yellow | IK 07 | 704.927.6B | 0.017 kg |
| | EMERGENCY-STOP / NOT-AUS | yellow | IK 07 | 704.927.6C | 0.017 kg |

04 Accessories




Emergency-stop enclosure

Additional Information

- Bottom grey similar RAL 7035; cover lead-sealable, yellow similar RAL 1004
- Openings for cable gland M16 or M20
- To be used with one switching element Series 04




Dimensions [mm]

| Product attribute | Dimension | Part No. | Weight |
|---|-----------------------|------------------|----------|
|  <p>Emergency-stop enclosure with mounting cut-out 1 x Ø 22.5 mm, with anti-twist device</p> | L 94 x B 94 x H 81 mm | 704.945.0 | 0.195 kg |
|  <p>Emergency-stop enclosure with mounting cut-out 1 x Ø 22.5 mm, with anti-twist device</p> | L 65 x B 65 x H 81 mm | 704.945.7 | 0.127 kg |
|  <p>Emergency-stop enclosure with mounting cut-out 1 x Ø 22.5 mm, with anti-twist device</p> | L 94 x B 65 x H 81 mm | 704.945.8 | 0.157 kg |

Cable gland, IP 68


Additional Information

- With traction relief
- With fixing nut

| Product attribute | Thread | Material | Colour | Part No. | Weight |
|---|-----------|----------|--------|------------------|----------|
|  <p>Cable gland Clamping range Ø 4 ... 10 mm, thread length 8 mm</p> | M16 x 1.5 | Plastic | grey | 61-9481.6 | 0.007 kg |
| <p>Clamping range Ø 6 ... 12 mm, thread length 9 mm</p> | M20 x 1.5 | Plastic | grey | 704.945.6 | 0.011 kg |

Mounting

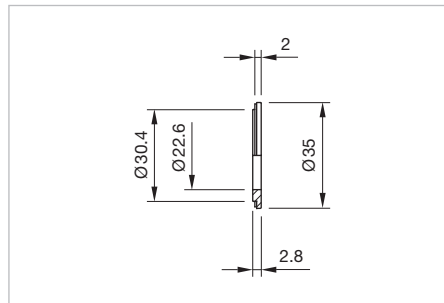
Anti-twist ring

| Part No. | Weight |
|---|----------|
|  <p>Anti-twist ring, flush design</p> | |
| 704.954.0 | 0.002 kg |



Reducing ring

Additional Information

- Devices $\varnothing 22.5$ mm in mounting cut-out $\varnothing 30.5$ mm
- With the metal bayonet flange you can use one reduction ring. If you have a plastic bayonet flange you need to install two reduction rings
- The colour of anodized aluminium parts can vary due to technical production reasons



Dimensions [mm]

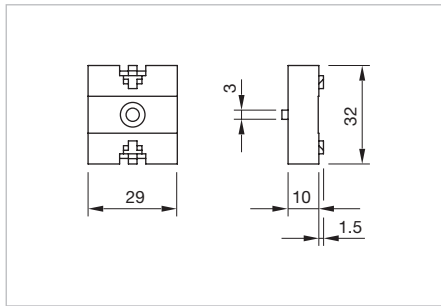
| Product attribute | Material | Colour | Part No. | Weight |
|--|-----------|------------------|-------------------|----------|
|  <p>Reducing ring</p> | Aluminium | black anodized | 704.960.0 | 0.004 kg |
| | | natural anodized | 704.960.8 | 0.004 kg |
|  <p>Reducing ring with opening for anti rotation pin</p> | Aluminium | natural anodized | 704.960.8A | 0.004 kg |
| with slot for anti-twist device | | | | |

04 Accessories

Mounting plate

Additional Information

- For separate mounting of lamp transformer, resistor block or capacitor block



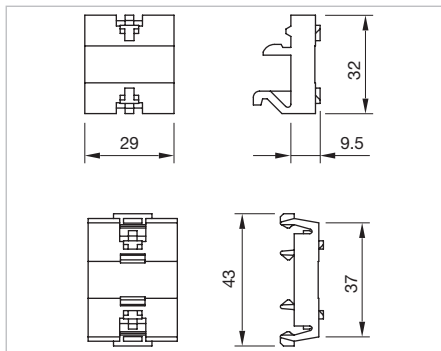
Dimensions [mm]

| Material | Colour | Part No. | Weight |
|--|--------|------------------|----------|
|  Mounting plate | | | |
| Plastic | grey | 704.940.8 | 0.006 kg |



Snap-on base

Additional Information

- To snap-on, for separate mounting of lamp transformer, resistor block or capacitor block




Dimensions [mm]

| Product attribute | Part No. | Weight |
|--|------------------|----------|
|  Snap-on base | | |
| DIN mounting bar EN 50035 | 704.940.9 | 0.006 kg |
|  Snap-on base | | |
| DIN mounting bar EN 50022 | 704.941.1 | 0.006 kg |

Reinforcement ring

Additional Information


- For thin front panel and plastic case

| Dimension | Mounting cut-out | Material | Colour | Part No. | Weight |
|--|------------------|-------------|-------------------------------|------------------|----------|
|  <p>Reinforcement ring</p> | | | | | |
| 44 x 29 x 3 mm | Ø 22.5 mm | Steel sheet | galvanized, yellow passivated | 704.960.9 | 0.014 kg |

Lens plug

Additional Information


- With lamp remover function (BA9s)
- For mounting and dismantling of the round lens, flush design

| Part No. | Weight |
|--|----------|
|  <p>Lens plug for round lens, flush design</p> | |
| 700.006.0 | 0.003 kg |

Lens remover

Additional Information

- For dismantling of the square lens, flush design


| Part No. | Weight |
|--|----------|
|  <p>Lens remover</p> | |
| 98-968 | 0.004 kg |

04 Accessories

Mounting tool indicator

Additional Information


- For Indicators full-face illumination, compact
- for tightening or loosening of the fixing nut

| Product attribute | Part No. | Weight |
|--|------------------|----------|
|  <p>Mounting tool for indicator</p> | 700.005.0 | 0.020 kg |

Mounting tool key insert switch

Additional Information


- for tightening or loosening of the fixing nut

| Product attribute | Part No. | Weight |
|--|------------------|----------|
|  <p>Mounting tool for key insert switch</p> | 704.990.0 | 0.020 kg |

Cable gland, IP 68

Additional Information

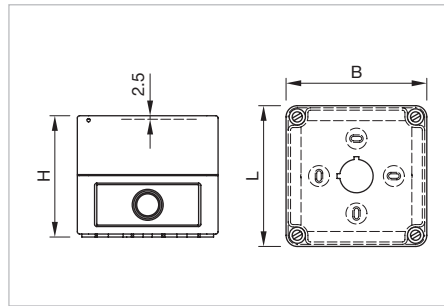
- With traction relief
- With fixing nut

| Product attribute | Thread | Material | Colour | Part No. | Weight |
|--|-----------|----------|--------|------------------|----------|
|  <p>Cable gland</p> | | | | | |
| Clamping range Ø 4 ... 10 mm, thread length 8 mm | M16 x 1.5 | Plastic | grey | 61-9481.6 | 0.007 kg |
| Clamping range Ø 6 ... 12 mm, thread length 9 mm | M20 x 1.5 | Plastic | grey | 704.945.6 | 0.011 kg |






Enclosure, IP 66

Additional Information

- Cover lead-sealable
- Openings for cable gland M16 or M20

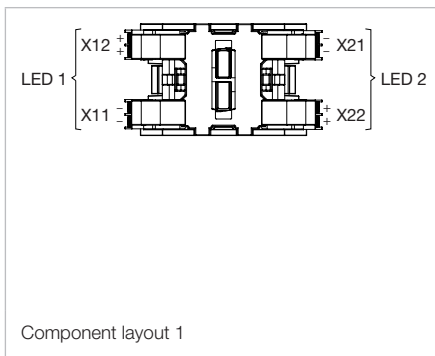


Dimensions [mm]

| Product attribute | Dimension | Material | Colour | Part No. | Weight |
|---|--------------------------|----------|------------------------|------------------|----------|
|  <p>Enclosure</p> | | | | | |
| with mounting cut-out 1 x Ø 22.5 mm, with anti-twist device | L 94 x B 94 x H 81 mm | Plastic | grey, similar RAL 7035 | 704.945.1 | 0.211 kg |
|  <p>Enclosure</p> | | | | | |
| with mounting cut-out 2 x Ø 22.5 mm, with anti-twist device | L 130 x B 94 x H 81 mm | Plastic | grey, similar RAL 7035 | 704.945.2 | 0.251 kg |
|  <p>Enclosure</p> | | | | | |
| with mounting cut-out 3 x Ø 22.5 mm, with anti-twist device | L 180 x B 94 x H 81 mm | Plastic | grey, similar RAL 7035 | 704.945.3 | 0.313 kg |
|  <p>Enclosure</p> | | | | | |
| with mounting cut-out 4 x Ø 22.5 mm, with anti-twist device | L 180 x B 182 x H 110 mm | Plastic | grey, similar RAL 7035 | 704.945.4 | 0.572 kg |
|  <p>Enclosure</p> | | | | | |
| with mounting cut-out 6 x Ø 22.5 mm, with anti-twist device | L 180 x B 182 x H 110 mm | Plastic | grey, similar RAL 7035 | 704.945.5 | 0.568 kg |

04 Drawings

Drawings



Slow-make switching element
Switching system

The double-break, slow-make switching element is equipped with one or two independent contact systems, acting as normally open or normally closed contact. The normally closed contact has forced opening.

Slow-make contacts with forced action are ideal for high switch ratings.

Up to three switching elements can be snapped to each actuator. For the emergency-stop pushbutton use the slow-make switching element (max. 2).

Material
Material of contact

Hardsilver, gold-silver, silver-palladium (for aggressive atmospheres)

Switch housing

Polycarbonate (PC)

Mechanical characteristics
Terminals

Screw terminals

Plug-in terminals 6.3 x 0.8 mm

max. wire cross-section 2 x 2.5 mm²

max. wire cross-section of stranded cable 2 x 1.5 mm²

For switches with plug-in terminals it is necessary to provide insulation sleeves and to maintain a spacing of 65 mm between rows (mounting cut-outs)

Tightening torque

Screws at the mounting flange max. 0.25–0.30 Nm

Screws at switching element max. 0.50 Nm

Actuating force

1 Normally closed 2 N

1 Normally open 3.1 N

Actuating travel

5.8 mm ± 0.2 mm

Rebound time

≤ 1 ms

Mechanical lifetime

(with 1 switching element)

Pushbutton maintained action 1.5 million Cycles of operation

Pushbutton momentary action 3 million Cycles of operation

Selector switch maintained action 1.25 million Cycles of operation

Selector switch momentary action 2.5 million Cycles of operation

Emergency-stop switch 50 000 Cycles of operation

Keylock switch maintained action 25 000 Cycles of operation

Keylock switch momentary action 50 000 Cycles of operation

Electrical characteristics
Standards

The switches comply with the “Standards for low-voltage switching devices” EN IEC 60947-5-1

Rated Insulation Voltage U_i

500 VAC/600 VDC, as per EN IEC 60947-5-1

Contact resistance

New state ≤ 50 mΩ as per DIN IEC 60512-2-4

Isolation resistance

≥ 10 MΩ between open contacts at 500 VDC, as per DIN IEC 60512-3-1

Electrical life

50 000 cycles of operations

Conventional free air thermal current I_{th}

As per EN IEC 60947-5-1

6 A for plug-in terminals

10 A for screw terminals

the maximum current in continuous operation and at ambient temperature must not exceed the quoted maximum values.

Switch rating

At switch rating AC for gold-silver, silver-palladium and hardsilver contacts, service category AC-15, as per EN IEC 60947-5-1 (cos φ 0.3)

| | | | |
|---------|---------|---------|---------|
| Voltage | 230 VAC | 400 VAC | 500 VAC |
|---------|---------|---------|---------|

| | | | |
|---------|-----|-----|-----|
| Current | 7 A | 5 A | 4 A |
|---------|-----|-----|-----|

At switch rating DC for gold-silver and hardsilver contacts, service category DC-13, as per EN IEC 60947-5-1

| | | | | |
|---------|--------|--------|---------|---------|
| Voltage | 24 VDC | 60 VDC | 110 VDC | 250 VDC |
|---------|--------|--------|---------|---------|

| | | | | |
|---------|------|-----|-------|-------|
| Current | 10 A | 5 A | 2.5 A | 0.6 A |
|---------|------|-----|-------|-------|

Recommended minimum operational data

Gold-silver contacts:

| | | |
|---------|--------|---------|
| Voltage | 24 VDC | 110 VDC |
|---------|--------|---------|

| | | |
|---------|------|------|
| Current | 5 mA | 2 mA |
|---------|------|------|

Hardsilver contacts:

| | | |
|---------|--------|---------|
| Voltage | 24 VDC | 110 VDC |
|---------|--------|---------|

| | | |
|---------|-------|-------|
| Current | 50 mA | 10 mA |
|---------|-------|-------|

Protection class

Indicators and switches, fit for mounting into devices with protection class II

04 Technical data

Environmental conditions

Storage temperature

-40 °C ... +85 °C

Operating temperature

-40 °C ... +55 °C

(other temperatures on request)

Protection degree

IP 00

Shock resistance

(single impacts, semi-sinusoidal)

300 m/s² puls width 11 ms, as per EN IEC 60068-2-27

Vibration resistance

(sinusoidal)

100 m/s² at 10 Hz ... 500 Hz, amplitude 0.75 mm, as per

EN IEC 60068-2-6

Approvals

Approbations

CB (IEC 60947)

CCC

CSA

Germanischer Lloyd

EAC

NFF 16-102

UL

Declaration of conformity

CE

Snap-action switching element

Switching system

The double-break, snap-action switching element is equipped with one or two independent contact systems, acting as normally open or normally closed contact. The snap-action switching element is fitted with self-cleaning contacts.

Up to three switching elements can be snapped to each actuator. Snap-action switching elements are not permissible for emergency-stop pushbuttons!

Material

Material of contact

Hardsilver, gold-silver, silver-palladium (for aggressive atmospheres)

Switch housing

Polycarbonate (PC)

Mechanical characteristics

Terminals

Screw terminals

Plug-in terminals 6.3 x 0.8 mm

max. wire cross-section 2 x 2.5 mm²

max. wire cross-section of stranded cable 2 x 1.5 mm²

For switches with plug-in terminals it is necessary to provide insulation sleeves and to maintain a spacing of 65 mm between rows (mounting cut-outs)

Tightening torque

Screws at the mounting flange max. 0.25–0.30 Nm

Screws at switching element max. 0.50 Nm

Actuating force

1 Normally closed 1.9 N

1 Normally open 2 N

Actuating travel

5.8 mm ± 0.2 mm

Rebound time

≤ 3 ms

Mechanical lifetime

(with 1 switching element)

Pushbutton maintained action 1.5 million Cycles of operation

Pushbutton momentary action 3 million Cycles of operation

Selector switch maintained action 1.25 million Cycles of operation

Selector switch momentary action 2.5 million Cycles of operation

Keylock switch maintained action 25 000 Cycles of operation

Keylock switch momentary action 50 000 Cycles of operation

Electrical characteristics

Standards

The switches comply with the "Standards for low-voltage switching devices" EN IEC 60947-5-1

Rated Insulation Voltage U_i

500 VAC/600 VDC, as per EN IEC 60947-5-1

Contact resistance

New state ≤ 50 mΩ as per DIN IEC 60512-2-4

Isolation resistance

≥ 10 MΩ between open contacts at 500 VDC, as per

DIN IEC 60512-3-1

Electrical life

50 000 cycles of operations

Conventional free air thermal current I_{th}

As per EN IEC 60947-5-1

6 A for plug-in terminals

10 A for screw terminals

the maximum current in continuous operation and at ambient temperature must not exceed the quoted maximum values.

Switch rating

At switch rating AC for gold-silver, silver-palladium and hardsilver contacts, service category AC-15, as per EN IEC 60947-5-1 ($\cos\phi$ 0.3)

| | | | |
|---------|---------|---------|---------|
| Voltage | 230 VAC | 400 VAC | 500 VAC |
| Current | 6 A | 4 A | 2.5 A |

At switch rating DC for gold-silver and hardsilver contacts, service category DC-13, as per EN IEC 60947-5-1

| | | | |
|---------|--------|--------|---------|
| Voltage | 24 VDC | 60 VDC | 110 VDC |
| Current | 10 A | 3 A | 1 A |

Recommended minimum operational data

Gold-silver contacts:

| | | | |
|---------|-------|--------|---------|
| Voltage | 5 VDC | 24 VDC | 110 VDC |
| Current | 15 mA | 5 mA | 2 mA |

Hardsilver contacts:

| | | |
|---------|--------|---------|
| Voltage | 24 VDC | 110 VDC |
| Current | 50 mA | 10 mA |

Protection class

Indicators and switches, fit for mounting into devices with protection class II

Environmental conditions

Storage temperature

-40 °C ... +85 °C

Operating temperature

-40 °C ... +55 °C

(other temperatures on request)

Protection degree

IP 00

Shock resistance

(single impacts, semi-sinusoidal)

300 m/s² puls width 11 ms, as per EN IEC 60068-2-27

Vibration resistance

(sinusoidal)

100 m/s² at 10 Hz ... 500 Hz, amplitude 0.75 mm, as per EN IEC 60068-2-6

Approvals

Approbations

CB (IEC 60947)

CCC

CSA

Germanischer Lloyd

EAC

NFF 16-102

UL

Declaration of conformity

CE

Slow-make switching element PIT

Switching system

The double-break, slow-make switching element is equipped with one or two independent contact systems, acting as normally open or normally closed contact. The normally closed contact has forced opening.

Slow-make contacts with forced action are ideal for high switch ratings.

Up to three switching elements can be snapped to each actuator. For the emergency-stop pushbutton use the slow-make switching element (max. 2).

Material

Material of contact

Hardsilver and gold-silver

Switch housing

Polycarbonate (PC)

Mechanical characteristics

Terminals

PIT push-in terminal

Skimming 8 mm

Wire cross-section:

Wire 0.2 to 1.0 mm²

Stranded wire 0.2 to 1.0 mm² without core and sleeve

Stranded wire 0.2 to 0.75 mm² with core and sleeve

Tightening torque

Screws at the mounting flange max. 25 Ncm

Actuating force

1 Normally closed 2 N

1 Normally open 3.1 N

Actuating travel

5.8 mm ± 0.2 mm

Rebound time

≤ 1 ms

04 Technical data

Mechanical lifetime

(with 1 switching element)

| | |
|-----------------------------------|----------------------------------|
| Pushbutton maintained action | 1.5 million Cycles of operation |
| Pushbutton momentary action | 3 million Cycles of operation |
| Selector switch maintained action | 1.25 million Cycles of operation |
| Selector switch momentary action | 2.5 million Cycles of operation |
| Emergency-stop switch | 50 000 Cycles of operation |
| Keylock switch maintained action | 25 000 Cycles of operation |
| Keylock switch momentary action | 50 000 Cycles of operation |

Electrical characteristics

Standards

The switches comply with EN IEC 60947-1/EN IEC 60947-5-1

Rated Insulation Voltage U_i

500 VAC/600 VDC, as per EN IEC 60947-5-1

Contact resistance

New state $\leq 50 \text{ m}\Omega$ as per DIN IEC 60512-2-4

Isolation resistance

$\geq 10 \text{ M}\Omega$ between open contacts at 500 VDC, as per DIN IEC 60512-3-1

Electrical life

50 000 cycles of operations

Conventional free air thermal current I_{th}

6 A, as per EN IEC 60947-5-1

the maximum current in continuous operation and at ambient temperature must not exceed the quoted maximum values.

Switch rating

At switch rating AC for gold-silver and hardsilver contacts, service category AC-15, as per EN IEC 60947-5-1 ($\cos\phi 0.3$)

Voltage 250 VAC

Current 6 A

At switch rating DC for gold-silver and hardsilver contacts, service category DC-13, as per EN IEC 60947-5-1

Voltage 24 VDC 110 VDC

Current 6 A 1.0 A

Recommended minimum operational data

Gold-silver contacts:

Voltage 24 VDC

Current 5 mA

Hardsilver contacts:

Voltage 24 VDC

Current 50 mA

Protection class

Indicators and switches, fit for mounting into devices with protection class II

Environmental conditions

Storage temperature

-40 °C ... +85 °C

Operating temperature

-40 °C ... +55 °C

(other temperatures on request)

Protection degree

IP 20

Shock resistance

(single impacts, semi-sinusoidal)

300 m/s² puls width 11 ms, as per EN IEC 60068-2-27

Approvals

Approbations

CB (IEC 60947)

CCC

CSA

Germanischer Lloyd

EAC

NFF 16-102

UL

Declaration of conformity

CE

Snap-action switching element PIT

Switching system

The double-break, snap-action switching element is equipped with one or two independent contact systems, acting as normally open or normally closed contact. The snap-action switching element is fitted with self-cleaning contacts.

Up to three switching elements can be snapped to each actuator. Snap-action switching elements are not permissible for emergency-stop pushbuttons!

Material

Material of contact

Hardsilver and gold-silver

Switch housing

Polycarbonate (PC)

Mechanical characteristics

Terminals

PIT push-in terminal
 Skinning 8mm
 Wire cross-section:
 Wire 0.2 to 1.0mm²
 Stranded wire 0.2 to 1.0mm² without core and sleeve
 Stranded wire 0.2 to 0.75mm² with core and sleeve

Tightening torque

Screws at the mounting flange max. 25Ncm

Actuating force

1 Normally closed 1.9N
 1 Normally open 2N

Actuating travel

5.8mm ± 0.2mm

Rebound time

≤ 3ms

Mechanical lifetime

(with 1 switching element)
 Pushbutton maintained action 1.5 million Cycles of operation
 Pushbutton momentary action 3 million Cycles of operation
 Selector switch maintained action 1.25 million Cycles of operation
 Selector switch momentary action 2.5 million Cycles of operation
 Keylock switch maintained action 25 000 Cycles of operation
 Keylock switch momentary action 50 000 Cycles of operation

Electrical characteristics

Standards

The switches comply with EN IEC 60947-1/EN IEC 60947-5-1

Rated Insulation Voltage U_i

500VAC/600VDC, as per EN IEC 60947-5-1

Contact resistance

New state ≤ 50mΩ as per DIN IEC 60512-2-4

Isolation resistance

≥ 10MΩ between open contacts at 500 VDC, as per DIN IEC 60512-3-1

Electrical life

50 000 cycles of operations

Conventional free air thermal current I_{th}

6A, as per EN IEC 60947-5-1
 the maximum current in continuous operation and at ambient temperature must not exceed the quoted maximum values.

Switch rating

At switch rating AC for gold-silver and hardsilver contacts, service category AC-15, as per EN IEC 60947-5-1 (cosφ 0.3)

Voltage 250VAC
 Current 6A

At switch rating DC for gold-silver and hardsilver contacts, service category DC-13, as per EN IEC 60947-5-1

Voltage 24VDC 110VDC
 Current 6A 1.0A

Recommended minimum operational data

Gold-silver contacts:

Voltage 24VDC
 Current 5mA

Hardsilver contacts:

Voltage 24VDC
 Current 50mA

Protection class

Indicators and switches, fit for mounting into devices with protection class II

Environmental conditions

Storage temperature

-40°C ... +85°C

Operating temperature

-40°C ... +55°C
 (other temperatures on request)

Protection degree

IP 20

Shock resistance

(single impacts, semi-sinusoidal)
 300m/s² puls width 11 ms, as per EN IEC 60068-2-27

Vibration resistance

(sinusoidal)
 100m/s² at 10Hz ... 500Hz, as per EN IEC 60068-2-6 and EN 61373 Increased broad band noise, class 1B

Approvals

Approbations

CB (IEC 60947)
 CCC
 CSA
 Germanischer Lloyd
 EAC
 NFF 16-102
 UL

Declaration of conformity

CE

04 Technical data

Lamp block

Material

Housing

Polycarbonate (PC)

Mechanical characteristics

Terminals

Screw terminals

Plug-in terminals 6.3 x 0.8mm

max. wire cross-section 2 x 2.5mm²

max. wire cross-section of stranded cable 2 x 1.5mm²

For switches with plug-in terminals it is necessary to provide insulation sleeves and to maintain a spacing of 65mm between rows (mounting cut-outs)

Tightening torque

Screws at lamp block max. 0.5Nm

Electrical characteristics

Standards

The switches comply with EN IEC 60947-1/EN IEC 60947-5-1

Illumination

Voltage 250V max.

Power 2.6W max.

BA9s standard adaptable.

Environmental conditions

Storage temperature

-40 °C ... +85 °C

Operating temperature

-40 °C ... +55 °C

(other temperatures on request)

Protection degree

IP 00

Shock resistance

(single impacts, semi-sinusoidal)

300m/s² puls width 11 ms, as per EN IEC 60068-2-27

Vibration resistance

(sinusoidal)

100m/s² at 10Hz ... 500Hz, as per EN IEC 60068-2-6 and

EN 61373 Increased broad band noise, class 1B

Lamp block PIT

Material

Housing

Polycarbonate (PC)

Mechanical characteristics

Terminals

PIT push-in terminal

Skinning 8mm

Wire cross-section:

Wire 0.2 to 1.0mm²

Stranded wire 0.2 to 1.0mm² without core and sleeve

Stranded wire 0.2 to 0.75mm² with core and sleeve

Electrical characteristics

Standards

The switches comply with EN IEC 60947-1/EN IEC 60947-5-1

Illumination

Voltage 250V max.

Power 2.6W max.

BA9s standard adaptable.

Environmental conditions

Storage temperature

-40 °C ... +85 °C

Operating temperature

-40 °C ... +55 °C

(other temperatures on request)

Protection degree

IP 20

Shock resistance

(single impacts, semi-sinusoidal)

300m/s² puls width 11 ms, as per EN IEC 60068-2-27

Vibration resistance

(sinusoidal)

100m/s² at 10Hz ... 500Hz, as per EN IEC 60068-2-6 and

EN 61373 Increased broad band noise, class 1B

Dual lamp block
Material
Housing

Plastic

Mechanical characteristics
Terminals

- PIT push-in-terminal
- Strip length L = 8 mm

Wire cross section

Max. wire cross section 0.2 to 1.0 mm²

Max. wire cross section of stranded cable 0.2 to 0.75 mm² with bootlace ferrules

Electrical characteristics
Lighting

Illuminant = 2 SMD-LEDs white

Operating voltages

24 VDC (-30 % / +25 %)

110 VDC (-30 % / +25 %)

Operating current

typ. 8 mA

Environmental conditions
Storage temperature

-40 °C ... +85 °C

Operating temperature

-40 °C ... +60 °C

Degree of protection

IP20

Resistance to shock

500 m/s², pulse duration 11 ms, according to EN IEC 60068-2-27 (semi-sinusoidal)

Broadband noise

5.72 m/s² per axis, 5 h (duration), class 1B according to DIN EN 61373

Approvals
Approbations

UL-94 V0

EN 45545

Buzzer
Buzzer system
System

Piezo disc

Material
Buzzer case

Polyamide

Front cap

Plastic Polyamide

Metal Nickel-plated brass (sea-water proof)

Mechanical characteristics
Terminals

Plug-in terminal 2.8 x 0.5 mm

Tightening torque

for fixing nut max. 0.25 Nm

Electrical characteristics
Frequency (tone)

approx. 2.8 kHz continuous tone only

Sound pressure

95 db (A) ±8 dB at a distance of 0.1 m

Operation Voltage/Current

Operation Voltage 24 VDC ±10 %

Operation Current ≤ 25 mA

Environmental conditions
Storage temperature

-40 °C ... +85 °C

Operating temperature

-40 °C ... +55 °C

(other temperatures on request)

Protection degree

as per EN IEC 60529, frontside

IP 40, devices flush design

IP 65, devices raised design

Approvals
Declaration of conformity

CE

04 Technical data

Actuator

Material

Front ring

Polyamide, Aluminium or Stainless steel

Mounting flange

Polyethylene terephthalate

Actuator housing

Polycarbonate, Polyamide

Mechanical characteristics

Actuating force

Mounting style square flush 6.2N
other mounting styles 8N

Actuating travel

5.8mm ± 0.2mm

Mechanical lifetime

(with 1 switching element)

| | |
|---------------------|-----------------------------------|
| Pushbutton | ≤ 3 million Cycles of operation |
| Selector switch | ≤ 2.5 million Cycles of operation |
| Stop switch | ≤ 50 000 Cycles of operation |
| Fool proofed E-stop | ≥ 50 000 Cycles of operation |
| Keylock switch | ≤ 50 000 Cycles of operation |
| Key insert switches | ≤ 250 000 Cycles of operation |

Keylock switch

The standard lock number is 251, the last digit of the device Part No. = 0 (example: 704.335.0).

Additional lock numbers are available:

252 last digit = 1; 253 last digit = 2; 254 last digit = 3
255 last digit = 4; 256 last digit = 5; 257 last digit = 6
258 last digit = 7; 259 last digit = 8; 260 last digit = 9

Electrical characteristics

Standards

The switches comply with the "Rules for low-voltage switching devices" EN IEC 60947-5-1

Environmental conditions

Storage temperature

-40 °C ... +85 °C

Operating temperature

-40 °C ... +55 °C
(other temperatures on request)

Protection degree

As per EN IEC 60529
frontside IP65 (IP65 and IP67 Key insert switch)

Rotary selector switching element

Mechanical characteristics

Terminals

Screw terminals
Terminal lead material copper wires only
max. permissible wire gage:
Single-core or stranded wire 2 x 1.5mm² (2 x AWG 14)
flexible wire 2 x 1.5mm² (2 x AWG 16)

Tightening torque

for fixing nut max. 0.25Nm

Number of stages

1 to 8 positions max.

Number of contacts

1 to 16 max. normally open contacts
(contact positioning according circuit drawing)

Switching angle

Basic position of switching position "A" is 9 o'clock

| Maintained action | Switching angle |
|-------------------|-----------------|
| 12 max. | 30° |
| 8 max. | 45° |
| 6 max. | 60° |
| 4 max. | 90° |

Momentary action with release 24°
(provide at the beginning or at the end)

Standard type of Kraus & Naimer

CG4 Hard Silver contacts with 1 µm Gold layer
CG4-1 Hard Silver contacts with 35 µm Gold layer

Electrical characteristics

Minimum Voltage

20V

Rated Impulse Withstand Voltage U_{imp}

4kV

Short Circuit Protection

Max. fuse size (gL-characteristic) 10A
Rated short-time withstand current (1s-current) 90A

Electrical characteristics for AC

Standards

The devices comply with: EN IEC 60947-3, VDE 0660 part 107

Rated Operational Voltage U_e

440V

Rated Insulation Voltage U_i

440V

Rated Thermal Current I_u / I_{th}

10A

Rated Operational Current I_n

AC-15 Switching of control devices, contactors, valves etc.

| | |
|-----------|------|
| 110V–120V | 2.5A |
| 220V–240V | 2.5A |
| 380V–440V | 1.5A |

 No load operation
10A

 AC-21A Switching of resistive loads, including moderate overloads
For switchin of power > 1 kW
10A

 AC-22A Switching of combined resistive or low inductive loads
including moderate overloads
220V–240V 10A

Rated Utilization Category

 AC-2 Slip ring motor starting, reversing and plugging, star-delta
starting 3 phase, 3 pole

| | |
|-----------|-------|
| 220V–240V | 2.5kW |
| 380V–440V | 4.5kW |

AC-3 Direct-on-line starting, star-delta starting

| | | |
|-----------------|-----------|--------|
| 3 phase, 3 pole | 220V–240V | 2.50kW |
| | 380V–440V | 2.20kW |
| 1 phase, 2 pole | 110V–120V | 0.30kW |
| | 220V–240V | 0.55kW |
| | 380V–440V | 0.75kW |

AC-Direct-on-line starting, reversing, plugging and inching

| | | |
|-----------------|-----------|--------|
| 3 phase, 3 pole | 220V–240V | 0.37kW |
| | 380V–440V | 0.55kW |
| 1 phase, 2 pole | 110V–120V | 0.15kW |
| | 220V–240V | 0.25kW |
| | 380V–440V | 0.50kW |

 AC-23A Frequent switching of motors or other high inductive
loads

| | | |
|-----------------|-----------|--------|
| 3 phase, 3 pole | 220V–240V | 1.80kW |
| | 380V–440V | 3.00kW |
| 1 phase, 2 pole | 110V–120V | 0.37kW |
| | 220V–240V | 0.75kW |
| | 380V–440V | 1.10kW |

Overvoltage category

III, valid for lines with grounded common neutral termination

Degree of pollution

3, valid for lines with grounded common neutral termination

Electrical characteristics for AC (UL/Canada)
Rated operational voltage

300V

Rated Insulation Voltage U_i

300V

Rated Thermal Current

10A

Ampere Rating

Resistive or low inductive loads, for switching of power > 1 kW, 10A

Ratings

Standard motor load, DOL Rating (similar AC-3)

| | | |
|-----------------|-----------|--------|
| 3 phase, 3 pole | 110V–120V | 0.75HP |
| | 220V–240V | 1.00HP |
| 1 phase, 2 pole | 110V–120V | 0.33HP |
| | 220V–240V | 0.75HP |
| | 277V–277V | 0.75HP |

Pilot Duty, Heavy

300VAC

Electrical characteristics for DC
Switch Rating DC

 Resistive loads $T \leq 1$ ms

| Number of series contact(s) | | | | | | | | Switch Capacity |
|-----------------------------|------|------|------|------|------|------|-------|-----------------|
| 1 | 2 | 3 | 4 | 5 | 6 | 8 | | |
| 24V | 48V | 70V | 95V | 120V | 145V | 190V | 10.0A | |
| 48V | 95V | 140V | 190V | 240V | 290V | 350V | 6.0A | |
| 60V | 120V | 180V | 240V | 300V | 360V | 450V | 2.5A | |
| 110V | 220V | 330V | 440V | 550V | 660V | | 0.7A | |
| 220V | 440V | 660V | | | | | 0.3A | |
| 440V | 660V | | | | | | 0.2A | |

 Inductive loads $T = 50$ ms

| Number of series contact(s) | | | | | | | | Switch Capacity |
|-----------------------------|------|------|------|------|------|------|------|-----------------|
| 1 | 2 | 3 | 4 | 5 | 6 | 8 | | |
| 24V | 48V | 70V | 95V | 120V | 145V | 190V | 6.0A | |
| 30V | 60V | 90V | 120V | 150V | 180V | 240V | 3.0A | |
| 48V | 95V | 140V | 190V | 240V | 290V | 350V | 1.0A | |
| 60V | 120V | 180V | 240V | 300V | 360V | 450V | 0.7A | |
| 110V | 220V | 330V | 440V | 550V | 660V | | 0.3A | |

Environment conditions
Operating temperature

Ambient Temperatures of Stages

 open at 100 % I_u / I_{tn} 55 °C during 24 h with peaks up to 60 °C
 enclosed at 100 % I_{the} 35 °C during 24 h with peaks up to 40 °C

04 Technical data

Flasher

Material

Housing

Polycarbonat (PC), nach UL 94 V0

Mechanical characteristics

Terminals

Screw terminal

Electrical characteristics

Flasher frequency

1.5 Hz

Relative duty factor

ca. 50%

Environment conditions

Operating temperature

0° ... +50 °C

Protection degree

Rear side IP30

EAO reserves the right to alter specifications without further notice.

General notes

1. Engraving

In addition to the most commonly used world languages, in DIN1451-3 close spacing, other typefaces are available as Scandinavian, Slavic, Greek, Russian and Polish. The engraved marking caps and plates are filled with black or white colour. Standard height of letters is 3 mm. If the height is not specified, we will supply 3 mm engraved letters.

2. Hot stamping

Standard legends and ISO symbols are hot stamped. For larger series it is worth considering markings by means of hot stamping. We will be pleased to advise you.

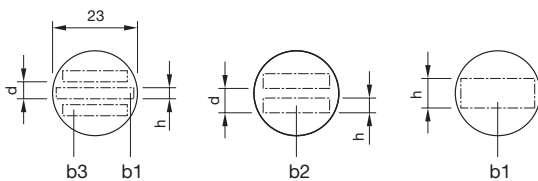
3. Film inserts

Instead of using engraving the square lenses can be fitted with film inserts, as an alternative. Film thickness is 0.25 mm. Max. film size: for Indicator 24.5 x 24.5 mm, for illuminated Pushbutton 21.5 x 21.5 mm.

Engraving marking cap for Indicator round, full face illumination

All dimensions in mm

| Height of letters h | Number of lines | Number of letters per line (target value) | | | Line spacing d |
|-------------------------------|-----------------|---|-----------|-----------|--------------------------|
| | | b1 | b2 | b3 | |
| 3 | 3 | 11 | 10 | 9 | 4.6 |
| 4 | 2 | 8 | 7 | – | 6.6 |
| 8 | 1 | 4 | – | – | – |

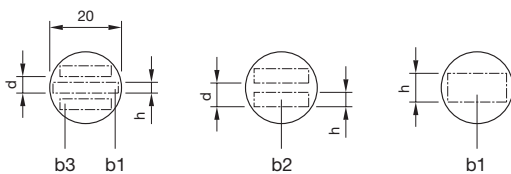


The gap between two words results in each case a letter less.

Engraving marking cap for Indicator and illuminated Pushbutton round, front illumination

All dimensions in mm

| Height of letters h | Number of lines | Number of letters per line (target value) | | | Line spacing d |
|-------------------------------|-----------------|---|-----------|-----------|--------------------------|
| | | b1 | b2 | b3 | |
| 3 | 3 | 9 | 9 | 7 | 4.6 |
| 4 | 2 | 7 | 6 | – | 6.6 |
| 8 | 1 | 3 | – | – | – |



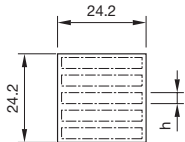
The gap between two words results in each case a letter less.

04 Marking

Engraving diffusor cap for Indicator square, full face illumination

All dimensions in mm

| Height of letters h | Number of lines | Number of capital letters per line(target value) | Number of small letters per line (target value) |
|---------------------|-----------------|--|---|
| 2.5 | 6 | 13 | 14 |
| 3.0 | 5 | 11 | 12 |
| 4.0 | 4 | 8 | 8-9 |
| 5.0 | 3 | 6-7 | 7 |
| 6.0 | 2 | 5-6 | 6 |
| 8.0 | 1 | 4 | 4-5 |

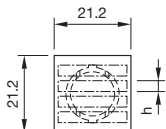


The gap between two words results in each case a letter less.

Engraving lens holder for Indicator and Illuminate Pushbutton square, front illumination

All dimensions in mm

| Height of letters h | Number of lines | Number of capital letters per line(target value) | Number of small letters per line (target value) |
|---------------------|-----------------|--|---|
| 2.5 | 5 | 9 | 9-10 |
| 3.0 | 4 | 7-8 | 8 |
| 4.0 | 3 | 5-6 | 6 |
| 5.0 | 2 | 4-5 | 4-5 |
| 6.0 | 2 | 3-4 | 4 |
| 8.0 | 1 | 2-3 | 3 |



The gap between two words results in each case a letter less.

Important: Consider lens holder mounting orientation before specifying engraving characters!

Engraving legend plates

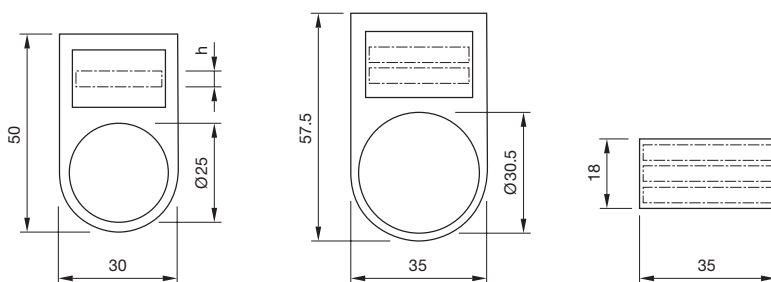
All dimensions in mm

| Dimension | Devices mounting style | Height of letters h | Number of lines | Number of letters per line (target value) | Image |
|-----------|------------------------|---------------------|-----------------|---|-------|
| 30 x 50 | round, raised | 3 | 2 | 12 | B1 |
| | | 4 | 1 | 7 | B1 |
| | | 8 | 1 | 4 | B1 |
| 35 x 57.5 | round, flush | 3 | 2 | 12 | B2 |
| | | 4 | 1 | 7 | B2 |
| | | 8 | 1 | 4 | B2 |
| 18 x 35 | square, flush | 3 | 3 | 16 | B3 |
| | | 4 | 2 | 10 | B3 |

B1

B2

B3



The gap between two words results in each case a letter less.

Standard texts for marking plates and marking caps for Indicator and Illuminated Pushbutton

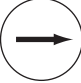








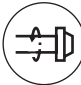





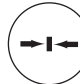


















Height of letters 6 mm

| | | | |
|-------------------------|-------------------------|-------------------------|-------------------------|
| Part No. 704.609.912001 | Part No. 704.609.912002 | Part No. 704.609.912003 | Part No. 704.609.912004 |
| Part No. 704.609.912005 | Part No. 704.609.912006 | Part No. 704.609.912007 | Part No. 704.609.912008 |
| Part No. 704.609.912009 | Part No. 704.609.912010 | Part No. 704.609.912011 | Part No. 704.609.912012 |
| Part No. 704.609.912013 | Part No. 704.609.912014 | Part No. 704.609.912015 | Part No. 704.609.912016 |
| Part No. 704.609.912017 | Part No. 704.609.912018 | | |

04 Marking

Symbols for marking plates and marking caps for Indicator and Illuminated Pushbutton

All marking plates with the printed article-numbers are available for flat lenses, marking cap only on request.

| | | | |
|--|--|---|--|
|  Part No. 704.609.910001 Direction of linear rectilinear motion (also for → ↓↑) |  Part No. 704.609.910002 Linear motion in 2 directions (also for ↓) |  Part No. 704.609.910004 Limited linear motion (also for ←↑↓) |  Part No. 704.609.910007 Direction of continuous rotation (right) |
|  Part No. 704.609.9100071 Direction of continuous rotation (left) |  Part No. 704.609.910008 Rotation in 2 directions |  Part No. 704.609.910009 Direction of interrupted rotation (right) |  Part No. 704.609.910010 Limited rotation (right) |
|  Part No. 704.609.9100101 Limited rotation (left) |  Part No. 704.609.910013 Direction of spindle rotation |  Part No. 704.609.910026 Rapid traverse |  Part No. 704.609.910028 Increase of value (speed, for instance) |
|  Part No. 704.609.910029 Decrease of value (speed, for instance) |  Part No. 704.609.910041 Electric motor |  Part No. 704.609.910048 Pump (general symbol) |  Part No. 704.609.9100631 Lock or tighten |
|  Part No. 704.609.9100632 Lock or tighten |  Part No. 704.609.9100641 Unlock, unclamp |  Part No. 704.609.9100642 Unlock, unclamp |  Part No. 704.609.910065 Brake on |
|  Part No. 704.609.910066 Brake off |  Part No. 704.609.910067 Automatic (or semi-automatic) cycle |  Part No. 704.609.910068 Hand control |  Part No. 704.609.910069 Start, on |
|  Part No. 704.609.910070 Stop, off |  Part No. 704.609.910071 Start and stop with same button |  Part No. 704.609.910072 In action as long as button is operated |  Part No. 704.609.910074 Engaging (mechanical start) |
|  Part No. 704.609.910075 Disengaging (mechanical stop) |  Part No. 704.609.910092 Danger (high voltage)! |  Part No. 704.609.910093 Caution! |  Part No. 704.609.910101 Coolant fluid |
|  Part No. 704.609.910102 Machine lighting |  Part No. 704.609.910108 Blast | | |

Terminal Markings

We supply the switch elements with terminal marking labels inserted, the figures always being visible for the first element (immediately following the actuator). Therefore, when two switch elements are used, these inserts have to be turned for the second element.

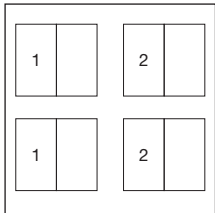
Then the numbers appear as described under III.

If more than two switch elements are used, this should be noted on your order, in order that we may insert and deliver the marking labels accordingly.

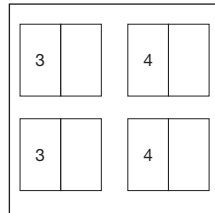
I. Consecutive numbering of switch systems

(2 per switch element)

First switch element



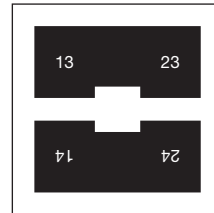
Second switch element



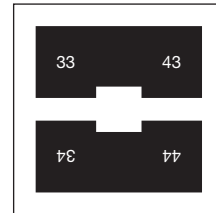
When more than 2 switch elements are used, the numbering is sequenced accordingly (5, 6 etc.).

III. Example of the correct insertion of the labels for 2 switch elements with normally open contacts

First switch element



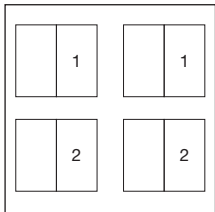
Second switch element



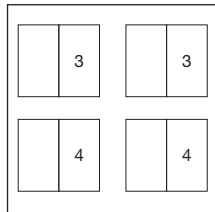
Labels for normally closed and normally closed/normally open contacts should be inserted accordingly.

II. Marking of normally closed contact, normally open contact and their combinations

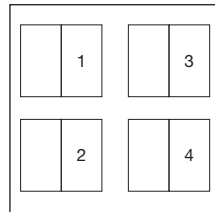
Normally closed (1–2)



Normally open (3–4)



Normally closed/open



04 Application guidelines

Suppressor circuits

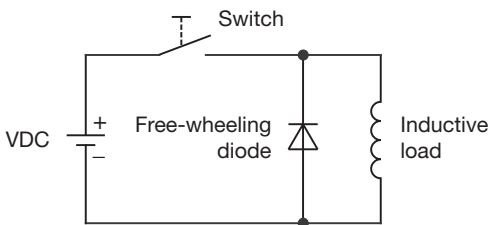
When switching inductive loads such as relays, DC motors, and DC solenoids, it is always important to absorb surges (e.g. with a diode) to protect the contacts. When these inductive loads are switched off, a counter emf can severely damage switch contacts and greatly shorten lifetime.

Fig. 1 shows an inductive load with a free-wheeling diode connected in parallel. This free-wheeling diode provides a path for the inductor current to flow when the current is interrupted by the switch. Without this free-wheeling diode, the voltage across the coil will be limited only by dielectric breakdown voltages of the circuit or parasitic elements of the coil. This voltage can be kilovolts in amplitude even when nominal circuit voltages are low (e.g. 12VDC) see Fig. 2.

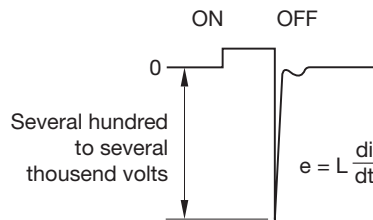
The free-wheeling diode should be chosen so that the reverse breakdown voltage is greater than the voltage driving the inductive load. The DC blocking voltage (V_R) of the free-wheeling diode can be found in the datasheet of a diode. The forward current should be equal or greater than the maximum current flowing through the load.

To get an efficient protection, the free-wheeling diode must be connected as close as possible to the inductive load!

Switching with inductive load
Fig. 1



Counter EMF
over load without free-wheeling diode
Fig. 2



Index from Part No.

| Part No. | Page | Part No. | Page | Part No. | Page | Part No. | Page | Part No. | Page | Part No. | Page |
|----------------|------|-------------|------|-------------|------|-------------|------|----------------|------|---------------|------|
| 02-912.1 | 158 | 61-9481.6 | 166 | 704.011.2 | 76 | 704.040.5 | 76 | 704.075.318 | 21 | 704.103.0x28 | 51 |
| 02-912.2 | 158 | 700.005.0 | 166 | 704.011.218 | 14 | 704.040.6 | 76 | 704.076.0 | 86 | 704.113.0 | 94 |
| 02-912.3 | 158 | 700.006.0 | 165 | 704.011.4 | 76 | 704.040.7 | 76 | 704.078.0 | 86 | 704.113.018 | 26 |
| 02-912.4 | 158 | 704.000.2 | 59 | 704.011.418 | 14 | 704.041.0 | 76 | 704.079.2 | 89 | 704.114.0 | 94 |
| 10-1409.1329 | 155 | 704.000.2 | 67 | 704.011.5 | 76 | 704.041.2 | 76 | 704.084.2 | 90 | 704.114.018 | 26 |
| 10-1412.1279 | 155 | 704.000.4 | 59 | 704.011.518 | 14 | 704.041.5 | 76 | 704.084.4 | 90 | 704.115.0 | 94 |
| 10-1416.1289 | 155 | 704.000.4 | 67 | 704.011.6 | 76 | 704.041.6 | 76 | 704.084.5 | 90 | 704.115.018 | 26 |
| 10-1420.1219 | 155 | 704.000.5 | 59 | 704.011.618 | 14 | 704.041.8 | 76 | 704.084.6 | 90 | 704.116.0 | 94 |
| 10-1422.1179 | 155 | 704.000.5 | 67 | 704.011.8 | 76 | 704.042.0 | 77 | 704.084.7 | 90 | 704.116.018 | 26 |
| 10-1424.1179 | 155 | 704.000.6 | 59 | 704.011.818 | 14 | 704.042.018 | 14 | 704.086.2 | 90 | 704.117.0 | 94 |
| 10-2412.1089P | 154 | 704.000.6 | 67 | 704.012.0 | 76 | 704.042.2 | 77 | 704.086.4 | 90 | 704.117.018 | 26 |
| 10-2506.1082 | 150 | 704.000.7 | 59 | 704.012.018 | 14 | 704.042.218 | 14 | 704.086.5 | 90 | 704.118.0 | 94 |
| 10-2506.1084 | 150 | 704.000.7 | 67 | 704.012.2 | 76 | 704.042.4 | 77 | 704.092.0 | 113 | 704.118.018 | 26 |
| 10-2506.1085 | 150 | 704.001.2 | 59 | 704.012.218 | 14 | 704.042.418 | 14 | 704.092.01 | 111 | 704.120.0 | 92 |
| 10-2506.1086 | 151 | 704.001.2 | 67 | 704.012.4 | 76 | 704.042.5 | 77 | 704.093.01 | 113 | 704.120.018 | 24 |
| 10-2506.1089 | 151 | 704.001.4 | 59 | 704.012.418 | 14 | 704.042.518 | 14 | 704.093.010 | 45 | 704.121.0 | 92 |
| 10-2509.1142 | 150 | 704.001.4 | 67 | 704.012.5 | 76 | 704.042.6 | 77 | 704.093.0101 | 43 | 704.121.018 | 24 |
| 10-2509.1144 | 150 | 704.001.5 | 59 | 704.012.518 | 14 | 704.042.618 | 14 | 704.093.018 | 45 | 704.122.0 | 92 |
| 10-2509.1145 | 150 | 704.001.5 | 67 | 704.012.6 | 76 | 704.042.7 | 77 | 704.093.0181 | 43 | 704.122.018 | 24 |
| 10-2509.1146 | 151 | 704.001.6 | 59 | 704.012.618 | 14 | 704.042.718 | 14 | 704.093.01 | 111 | 704.123.0 | 92 |
| 10-2509.1149 | 151 | 704.001.6 | 67 | 704.012.7 | 76 | 704.043.0 | 77 | 704.093.0x28 | 52 | 704.123.018 | 24 |
| 10-2512.1142 | 150 | 704.001.7 | 59 | 704.012.718 | 14 | 704.043.2 | 77 | 704.094.0 | 113 | 704.123.018KN | 50 |
| 10-2512.1144 | 150 | 704.001.7 | 67 | 704.013.0 | 77 | 704.043.7 | 77 | 704.094.01 | 111 | 704.123.118KN | 50 |
| 10-2512.1145 | 150 | 704.002.2 | 63 | 704.013.2 | 77 | 704.059.2 | 81 | 704.095.0 | 113 | 704.124.0 | 94 |
| 10-2512.1146 | 151 | 704.002.2 | 71 | 704.013.4 | 77 | 704.059.4 | 81 | 704.095.010 | 45 | 704.124.018 | 26 |
| 10-2512.1149 | 151 | 704.002.4 | 63 | 704.013.5 | 77 | 704.059.5 | 81 | 704.095.0101 | 43 | 704.151.XXX | 54 |
| 10-2513.1142 | 150 | 704.002.4 | 71 | 704.013.6 | 77 | 704.059.7 | 81 | 704.095.018 | 45 | 704.152.XXX | 54 |
| 10-2513.1144 | 150 | 704.002.5 | 63 | 704.013.7 | 77 | 704.060.2 | 81 | 704.095.0181 | 43 | 704.153.XXX | 54 |
| 10-2513.1145 | 150 | 704.002.5 | 71 | 704.020.2 | 56 | 704.060.4 | 81 | 704.095.01 | 111 | 704.154.XXX | 54 |
| 10-2513.1146 | 151 | 704.002.6 | 63 | 704.020.4 | 56 | 704.060.5 | 81 | 704.095.0T28 | 53 | 704.155.XXX | 54 |
| 10-2513.1149 | 151 | 704.002.6 | 71 | 704.020.5 | 56 | 704.060.6 | 81 | 704.095.0x28 | 52 | 704.199.2 | 58 |
| 10-2519.1052 | 150 | 704.002.7 | 63 | 704.020.6 | 56 | 704.060.7 | 81 | 704.096.0 | 113 | 704.199.2 | 66 |
| 10-2519.1054 | 150 | 704.002.7 | 71 | 704.020.7 | 56 | 704.062.2 | 81 | 704.096.01 | 111 | 704.199.4 | 58 |
| 10-2519.1055 | 150 | 704.003.2 | 63 | 704.021.2 | 56 | 704.062.218 | 18 | 704.097.0 | 113 | 704.199.4 | 66 |
| 10-2519.1056 | 151 | 704.003.2 | 71 | 704.021.4 | 56 | 704.062.4 | 81 | 704.097.010 | 45 | 704.199.5 | 58 |
| 10-2519.1059 | 151 | 704.003.4 | 63 | 704.021.5 | 56 | 704.062.418 | 18 | 704.097.0101 | 43 | 704.199.5 | 66 |
| 10-2524.3042 | 150 | 704.003.4 | 71 | 704.021.6 | 56 | 704.062.5 | 81 | 704.097.018 | 45 | 704.199.7 | 58 |
| 10-2524.3044 | 150 | 704.003.5 | 63 | 704.021.7 | 56 | 704.062.518 | 18 | 704.097.0181 | 43 | 704.199.7 | 66 |
| 10-2524.3045 | 150 | 704.003.5 | 71 | 704.022.2 | 56 | 704.062.6 | 81 | 704.097.01 | 111 | 704.199.7 | 58 |
| 10-2524.3046 | 151 | 704.003.6 | 63 | 704.022.4 | 56 | 704.062.618 | 18 | 704.097.0x28 | 52 | 704.200.2 | 66 |
| 10-2524.3049 | 151 | 704.003.6 | 71 | 704.022.5 | 56 | 704.062.7 | 81 | 704.098.0 | 113 | 704.200.4 | 58 |
| 10-2H12.314A | 151 | 704.003.7 | 63 | 704.022.6 | 56 | 704.062.718 | 18 | 704.098.01 | 111 | 704.200.4 | 66 |
| 10-2H12.314B | 151 | 704.003.7 | 71 | 704.022.7 | 56 | 704.063.2 | 82 | 704.099.0 | 113 | 704.200.5 | 58 |
| 10-2H12.314C | 151 | 704.006.2 | 63 | 704.029.2 | 81 | 704.063.4 | 82 | 704.099.010 | 45 | 704.200.5 | 66 |
| 10-2H24.2052 | 150 | 704.006.2 | 71 | 704.029.4 | 81 | 704.063.5 | 82 | 704.099.0101 | 43 | 704.200.6 | 58 |
| 10-2H24.2054 | 150 | 704.006.218 | 5 | 704.029.5 | 81 | 704.063.6 | 82 | 704.099.018 | 45 | 704.200.6 | 66 |
| 10-2H24.2055 | 150 | 704.006.218 | 9 | 704.029.6 | 81 | 704.063.7 | 82 | 704.099.0181 | 43 | 704.200.7 | 58 |
| 10-2H24.2056 | 151 | 704.006.4 | 63 | 704.029.7 | 81 | 704.064.2 | 87 | 704.099.01 | 111 | 704.200.7 | 66 |
| 10-2H24.2059 | 151 | 704.006.4 | 71 | 704.030.2 | 81 | 704.064.2A | 85 | 704.099.0x28 | 52 | 704.200.7 | 66 |
| 10-2H25.2042 | 150 | 704.006.418 | 5 | 704.030.4 | 81 | 704.066.2 | 87 | 704.100.0 | 104 | 704.202.2 | 62 |
| 10-2H25.2044 | 150 | 704.006.418 | 9 | 704.030.5 | 81 | 704.066.2A | 85 | 704.100.0.12 | 105 | 704.202.2 | 70 |
| 10-2H25.2045 | 150 | 704.006.5 | 63 | 704.030.6 | 81 | 704.070.0 | 88 | 704.100.01 | 102 | 704.202.208 | 4 |
| 10-2H25.2046 | 151 | 704.006.5 | 71 | 704.030.7 | 81 | 704.070.2 | 88 | 704.101.0 | 104 | 704.202.208 | 8 |
| 10-2H25.2049 | 151 | 704.006.518 | 5 | 704.032.2 | 81 | 704.070.4 | 88 | 704.101.0.12 | 105 | 704.202.4 | 62 |
| 10-4H21.1032P | 152 | 704.006.518 | 9 | 704.032.218 | 18 | 704.070.5 | 88 | 704.101.010 | 35 | 704.202.4 | 70 |
| 10-4H21.1034P | 152 | 704.006.6 | 63 | 704.032.4 | 81 | 704.071.0 | 88 | 704.101.010.12 | 37 | 704.202.408 | 4 |
| 10-4H21.1035P | 152 | 704.006.6 | 71 | 704.032.418 | 18 | 704.071.2 | 88 | 704.101.0101 | 33 | 704.202.408 | 8 |
| 10-4H21.1036P | 152 | 704.006.618 | 5 | 704.032.5 | 81 | 704.071.210 | 22 | 704.101.018 | 35 | 704.202.5 | 62 |
| 10-4H21.1039P | 152 | 704.006.618 | 9 | 704.032.518 | 18 | 704.071.218 | 22 | 704.101.018.12 | 37 | 704.202.5 | 70 |
| 10-4H22.1032P | 152 | 704.006.7 | 63 | 704.032.6 | 81 | 704.071.4 | 88 | 704.101.018.12 | 37 | 704.202.508 | 4 |
| 10-4H22.1034P | 152 | 704.006.7 | 71 | 704.032.618 | 18 | 704.071.410 | 22 | 704.101.0181 | 33 | 704.202.508 | 8 |
| 10-4H22.1035P | 152 | 704.006.718 | 5 | 704.032.7 | 81 | 704.071.418 | 22 | 704.101.018KN | 49 | 704.202.6 | 62 |
| 10-4H22.1036P | 152 | 704.006.718 | 9 | 704.032.718 | 18 | 704.071.5 | 88 | 704.101.018KNI | 48 | 704.202.6 | 70 |
| 10-4H22.1039P | 152 | 704.009.0 | 76 | 704.033.2 | 81 | 704.072.0 | 88 | 704.101.01 | 102 | 704.202.608 | 4 |
| 14-810.002 | 74 | 704.009.0 | 76 | 704.033.4 | 81 | 704.072.2 | 88 | 704.101.0KN | 117 | 704.202.608 | 8 |
| 14-810.910 | 12 | 704.009.4 | 76 | 704.033.5 | 81 | 704.072.2 | 88 | 704.101.0x28 | 51 | 704.202.7 | 62 |
| 14-810.918 | 12 | 704.009.5 | 76 | 704.033.6 | 81 | 704.073.0 | 88 | 704.101.110KN | 49 | 704.202.7 | 70 |
| 44-744.20 | 55 | 704.009.6 | 76 | 704.033.7 | 81 | 704.073.2 | 88 | 704.101.118KN | 48 | 704.202.708 | 4 |
| 44-744.20 | 118 | 704.009.7 | 76 | 704.033.7 | 81 | 704.073.4 | 88 | 704.101.118KN | 49 | 704.202.708 | 8 |
| 44-744.60 | 55 | 704.010.0 | 76 | 704.039.0 | 76 | 704.073.5 | 88 | 704.101.118KN1 | 48 | 704.203.2 | 62 |
| 44-744.60 | 118 | 704.010.2 | 76 | 704.039.2 | 76 | 704.074.2 | 86 | 704.101.1KN | 117 | 704.203.2 | 71 |
| 44-745.20-10K1 | 55 | 704.010.4 | 76 | 704.039.4 | 76 | 704.074.210 | 21 | 704.101.1KNI | 116 | 704.203.4 | 62 |
| 44-745.20-10K1 | 118 | 704.010.5 | 76 | 704.039.5 | 76 | 704.074.3 | 86 | 704.102.0 | 104 | 704.203.4 | 71 |
| 44-745.60-10K1 | 55 | 704.010.6 | 76 | 704.039.6 | 76 | 704.075.2 | 86 | 704.102.01 | 102 | 704.203.4 | 62 |
| 44-745.60-10K1 | 118 | 704.010.7 | 76 | 704.039.7 | 76 | 704.075.218 | 21 | 704.103.0 | 104 | 704.203.5 | 71 |
| 61-9481.6 | 162 | 704.011.0 | 76 | 704.040.0 | 76 | 704.075.21 | 89 | 704.103.018 | 35 | 704.203.6 | 62 |
| | | 704.011.018 | 14 | 704.040.2 | 76 | 704.075.3 | 86 | 704.103.0181 | 33 | 704.203.6 | 71 |
| | | | | 704.040.4 | 76 | 704.075.310 | 21 | 704.103.01 | 102 | 704.203.7 | 62 |

| Part No. | Page | Part No. | Page | Part No. | Page | Part No. | Page | Part No. | Page | Part No. | Page |
|-------------|------|----------------|------|----------------|------|----------------|------|--------------|------|-------------|------|
| 704.203.7 | 71 | 704.239.700 | 13 | 704.334.000 | 25 | 704.411.118KN | 47 | 704.601.81 | 123 | 704.733.0 | 64 |
| 704.206.2 | 62 | 704.240.0 | 75 | 704.334.008 | 25 | 704.411.118KNI | 46 | 704.601.9 | 122 | 704.733.0 | 72 |
| 704.206.2 | 70 | 704.240.2 | 75 | 704.335.0 | 93 | 704.411.1KN | 115 | 704.601.91 | 123 | 704.733.1 | 64 |
| 704.206.200 | 4 | 704.240.208 | 14 | 704.335.000 | 25 | 704.411.1KNI | 114 | 704.602.0 | 121 | 704.733.1 | 72 |
| 704.206.200 | 8 | 704.240.4 | 75 | 704.335.008 | 25 | 704.412.0 | 98 | 704.602.2 | 121 | 704.741.0 | 15 |
| 704.206.4 | 62 | 704.240.408 | 14 | 704.336.000 | 25 | 704.412.0I | 96 | 704.602.4 | 121 | 704.741.0 | 19 |
| 704.206.4 | 70 | 704.240.5 | 75 | 704.336.008 | 25 | 704.413.0 | 98 | 704.602.5 | 121 | 704.741.8 | 15 |
| 704.206.400 | 4 | 704.240.508 | 14 | 704.337.0 | 93 | 704.413.010 | 30 | 704.602.6 | 121 | 704.741.8 | 19 |
| 704.206.400 | 8 | 704.240.7 | 75 | 704.337.000 | 25 | 704.413.010I | 28 | 704.602.7 | 121 | 704.742.0 | 15 |
| 704.206.5 | 62 | 704.240.708 | 14 | 704.337.008 | 25 | 704.413.018 | 30 | 704.602.7A01 | 121 | 704.742.0 | 19 |
| 704.206.5 | 70 | 704.259.2 | 81 | 704.338.000 | 25 | 704.413.018I | 28 | 704.603.2 | 123 | 704.742.8 | 15 |
| 704.206.500 | 4 | 704.259.200 | 17 | 704.338.008 | 25 | 704.413.0I | 96 | 704.603.4 | 123 | 704.742.8 | 19 |
| 704.206.500 | 8 | 704.259.4 | 81 | 704.340.0 | 91 | 704.502.0 | 108 | 704.603.5 | 123 | 704.743.0 | 6 |
| 704.206.6 | 62 | 704.259.400 | 17 | 704.340.000 | 23 | 704.502.000 | 40 | 704.603.6 | 123 | 704.743.0 | 10 |
| 704.206.6 | 70 | 704.259.5 | 81 | 704.340.008 | 23 | 704.502.000I | 38 | 704.603.7 | 123 | 704.743.0 | 6 |
| 704.206.600 | 4 | 704.259.500 | 17 | 704.341.0 | 91 | 704.502.008 | 40 | 704.608.7 | 126 | 704.743.8 | 10 |
| 704.206.600 | 8 | 704.259.6 | 81 | 704.341.000 | 23 | 704.502.008I | 38 | 704.608.9 | 126 | 704.8A230 | 147 |
| 704.206.7 | 62 | 704.259.600 | 17 | 704.341.008 | 23 | 704.502.0I | 106 | 704.609.0 | 125 | 704.8A231 | 147 |
| 704.206.7 | 70 | 704.259.7 | 81 | 704.342.0 | 91 | 704.504.0 | 108 | 704.609.7 | 125 | 704.8A232 | 147 |
| 704.206.700 | 4 | 704.259.700 | 17 | 704.342.000 | 23 | 704.504.000 | 40 | 704.609.9 | 125 | 704.8A233 | 147 |
| 704.206.700 | 8 | 704.260.2 | 80 | 704.342.008 | 23 | 704.504.000I | 38 | 704.609.9A01 | 125 | 704.8A234 | 146 |
| 704.207.5 | 62 | 704.260.208 | 18 | 704.343.0 | 91 | 704.504.008 | 40 | 704.610.7 | 125 | 704.8A235 | 146 |
| 704.207.5 | 71 | 704.260.4 | 80 | 704.343.000 | 23 | 704.504.008I | 38 | 704.610.9 | 125 | 704.8A236 | 145 |
| 704.207.6 | 62 | 704.260.408 | 18 | 704.343.008 | 23 | 704.504.0I | 106 | 704.611.2 | 122 | 704.8A237 | 145 |
| 704.207.6 | 71 | 704.260.5 | 80 | 704.344.0 | 93 | 704.506.0 | 108 | 704.611.4 | 122 | 704.8A238 | 145 |
| 704.209.0 | 75 | 704.260.508 | 18 | 704.344.000 | 25 | 704.506.000 | 40 | 704.611.5 | 122 | 704.8A239 | 145 |
| 704.209.000 | 13 | 704.260.6 | 80 | 704.344.008 | 25 | 704.506.000I | 38 | 704.611.7 | 122 | 704.8A250 | 147 |
| 704.209.2 | 75 | 704.260.608 | 18 | 704.402.0 | 109 | 704.506.008 | 40 | 704.630.1 | 61 | 704.8A251 | 147 |
| 704.209.200 | 13 | 704.260.7 | 80 | 704.402.0I | 107 | 704.506.008I | 38 | 704.630.1 | 69 | 704.8A252 | 147 |
| 704.209.4 | 75 | 704.260.708 | 18 | 704.403.0 | 109 | 704.506.0I | 106 | 704.631.1 | 20 | 704.8A253 | 147 |
| 704.209.400 | 13 | 704.292.0 | 112 | 704.403.010 | 41 | 704.508.0 | 108 | 704.631.1 | 16 | 704.8A254 | 146 |
| 704.209.5 | 75 | 704.292.000 | 44 | 704.403.010I | 39 | 704.508.000 | 40 | 704.631.1 | 79 | 704.8A255 | 146 |
| 704.209.500 | 13 | 704.292.000I | 42 | 704.403.018 | 41 | 704.508.000I | 38 | 704.631.1 | 84 | 704.8A270 | 147 |
| 704.209.6 | 75 | 704.292.008 | 44 | 704.403.018I | 39 | 704.508.008 | 40 | 704.632.1 | 20 | 704.8A271 | 147 |
| 704.209.600 | 13 | 704.292.008I | 42 | 704.403.0I | 107 | 704.508.008I | 38 | 704.632.1 | 16 | 704.8A272 | 147 |
| 704.209.7 | 75 | 704.292.0I | 110 | 704.404.0 | 109 | 704.508.0I | 106 | 704.632.1 | 79 | 704.8A639 | 145 |
| 704.209.700 | 13 | 704.294.0 | 112 | 704.404.0I | 107 | 704.510.0 | 97 | 704.632.1 | 84 | 704.8A730 | 147 |
| 704.210.0 | 75 | 704.294.000 | 44 | 704.405.0 | 109 | 704.510.0.12 | 99 | 704.633.1 | 7 | 704.8A731 | 147 |
| 704.210.008 | 13 | 704.294.000I | 42 | 704.405.010 | 41 | 704.510.000 | 29 | 704.633.1 | 11 | 704.900.1 | 140 |
| 704.210.2 | 75 | 704.294.008 | 44 | 704.405.010I | 39 | 704.510.000.12 | 31 | 704.633.1 | 65 | 704.900.1B | 141 |
| 704.210.208 | 13 | 704.294.008I | 42 | 704.405.018 | 41 | 704.510.000I | 27 | 704.633.1 | 73 | 704.900.2 | 140 |
| 704.210.4 | 75 | 704.294.0I | 110 | 704.405.018I | 39 | 704.510.008 | 29 | 704.642.0 | 57 | 704.900.2B | 141 |
| 704.210.408 | 13 | 704.296.0 | 112 | 704.405.0I | 107 | 704.510.008.12 | 31 | 704.642.1 | 57 | 704.900.3 | 140 |
| 704.210.5 | 75 | 704.296.000 | 44 | 704.406.0 | 109 | 704.510.008I | 27 | 704.642.2 | 57 | 704.900.3B | 141 |
| 704.210.508 | 13 | 704.296.000I | 42 | 704.406.0I | 107 | 704.510.0I | 95 | 704.701.0 | 127 | 704.900.4 | 140 |
| 704.210.6 | 75 | 704.296.008 | 44 | 704.407.0 | 109 | 704.510.100KN | 47 | 704.701.4 | 127 | 704.900.4B | 141 |
| 704.210.608 | 13 | 704.296.008I | 42 | 704.407.010 | 41 | 704.510.108KN | 47 | 704.701.6 | 127 | 704.900.5 | 140 |
| 704.210.7 | 75 | 704.296.0I | 110 | 704.407.010I | 39 | 704.510.1KN | 115 | 704.702.0 | 121 | 704.900.5B | 141 |
| 704.210.708 | 13 | 704.298.0 | 112 | 704.407.018 | 41 | 704.510.1KNI | 114 | 704.702.2 | 121 | 704.901.1 | 140 |
| 704.229.2 | 80 | 704.298.000 | 44 | 704.407.018I | 39 | 704.512.0 | 97 | 704.702.4 | 121 | 704.901.1/D | 139 |
| 704.229.200 | 17 | 704.298.000I | 42 | 704.407.0I | 107 | 704.512.000 | 29 | 704.702.5 | 121 | 704.901.2 | 140 |
| 704.229.4 | 80 | 704.298.008 | 44 | 704.408.0 | 109 | 704.512.000I | 27 | 704.702.6 | 121 | 704.901.2/D | 139 |
| 704.229.400 | 17 | 704.298.008I | 42 | 704.408.0I | 107 | 704.512.008 | 29 | 704.702.7 | 121 | 704.901.3 | 140 |
| 704.229.5 | 80 | 704.298.0I | 110 | 704.409.0 | 109 | 704.512.008I | 27 | 704.702.9 | 121 | 704.901.3/D | 139 |
| 704.229.500 | 17 | 704.300.0 | 103 | 704.409.010 | 41 | 704.512.0I | 95 | 704.703.2 | 124 | 704.901.4 | 140 |
| 704.229.6 | 80 | 704.300.0.12 | 105 | 704.409.010I | 39 | 704.600.0 | 128 | 704.703.4 | 124 | 704.901.4/D | 139 |
| 704.229.600 | 17 | 704.300.000 | 34 | 704.409.018 | 41 | 704.600.1 | 128 | 704.703.5 | 124 | 704.901.5 | 140 |
| 704.229.7 | 80 | 704.300.000.12 | 36 | 704.409.018I | 39 | 704.600.1A | 128 | 704.703.6 | 124 | 704.901.5/D | 139 |
| 704.230.2 | 80 | 704.300.000I | 32 | 704.409.0I | 107 | 704.600.2 | 129 | 704.703.7 | 124 | 704.902.1 | 140 |
| 704.230.208 | 17 | 704.300.008 | 34 | 704.410.0 | 98 | 704.600.3 | 129 | 704.706.7 | 124 | 704.902.2 | 140 |
| 704.230.4 | 80 | 704.300.008.12 | 36 | 704.410.0.12 | 100 | 704.600.5/A | 129 | 704.707.7 | 124 | 704.902.3 | 140 |
| 704.230.408 | 17 | 704.300.008I | 32 | 704.410.0I | 96 | 704.600.6 | 128 | 704.708.7 | 126 | 704.902.4 | 140 |
| 704.230.5 | 80 | 704.300.0I | 101 | 704.411.0 | 98 | 704.600.7 | 128 | 704.708.9 | 126 | 704.902.5 | 140 |
| 704.230.508 | 17 | 704.300.100KN | 49 | 704.411.0.12 | 100 | 704.600.9 | 128 | 704.709.7 | 123 | 704.905.1 | 139 |
| 704.230.6 | 80 | 704.300.108KN | 49 | 704.411.010 | 30 | 704.601.0 | 122 | 704.709.9 | 123 | 704.905.1/D | 139 |
| 704.230.608 | 17 | 704.300.1KN | 117 | 704.411.010.12 | 31 | 704.601.01 | 123 | 704.730.0 | 60 | 704.905.2 | 139 |
| 704.230.7 | 80 | 704.300.1KNI | 116 | 704.411.010I | 28 | 704.601.10 | 122 | 704.730.0 | 68 | 704.905.2/D | 139 |
| 704.230.708 | 17 | 704.302.0 | 103 | 704.411.010KN | 47 | 704.601.101 | 123 | 704.730.1 | 60 | 704.905.3 | 139 |
| 704.239.0 | 76 | 704.302.000 | 34 | 704.411.010KNI | 46 | 704.601.2 | 122 | 704.730.1 | 68 | 704.905.3/D | 139 |
| 704.239.000 | 13 | 704.302.000I | 32 | 704.411.018 | 30 | 704.601.21 | 123 | 704.731.0 | 78 | 704.905.4 | 139 |
| 704.239.2 | 76 | 704.302.008 | 34 | 704.411.018.12 | 31 | 704.601.4 | 122 | 704.731.0 | 83 | 704.905.4/D | 139 |
| 704.239.200 | 13 | 704.302.008I | 32 | 704.411.018I | 28 | 704.601.41 | 123 | 704.731.1 | 78 | 704.905.5 | 139 |
| 704.239.400 | 13 | 704.302.0I | 101 | 704.411.018KN | 47 | 704.601.5 | 122 | 704.731.1 | 83 | 704.905.5/D | 139 |
| 704.239.5 | 76 | 704.333.0 | 93 | 704.411.018KNI | 46 | 704.601.51 | 123 | 704.732.0 | 78 | 704.907.1 | 138 |
| 704.239.600 | 13 | 704.333.000 | 25 | 704.411.0B.12 | 100 | 704.601.6 | 122 | 704.732.0 | 83 | 704.907.2 | 138 |
| 704.239.7 | 76 | 704.333.008 | 25 | 704.411.0I | 96 | 704.601.61 | 123 | 704.732.1 | 78 | 704.907.3 | 138 |
| | | 704.334.0 | 93 | 704.411.110KN | 47 | 704.601.8 | 122 | 704.732.1 | 83 | 704.907.4 | 138 |

| Part No. | Page | Part No. | Page | Part No. | Page |
|--------------------|------|--------------------|------|------------------|------|
| 704.907.5..... | 138 | 704.917.4FS..... | 145 | 704.960.5..... | 134 |
| 704.908.1..... | 138 | 704.917.5..... | 138 | 704.960.8..... | 163 |
| 704.908.2..... | 138 | 704.917.5..... | 142 | 704.960.8A..... | 163 |
| 704.908.3..... | 138 | 704.918.1..... | 138 | 704.960.9..... | 165 |
| 704.908.4..... | 138 | 704.918.1..... | 142 | 704.963.0..... | 159 |
| 704.908.5..... | 138 | 704.918.2..... | 138 | 704.963.1..... | 159 |
| 704.910.1..... | 140 | 704.918.2..... | 142 | 704.963.2..... | 159 |
| 704.910.1..... | 143 | 704.918.3..... | 138 | 704.963.3..... | 159 |
| 704.910.1B..... | 141 | 704.918.3..... | 142 | 704.963.4..... | 159 |
| 704.910.2..... | 140 | 704.918.4..... | 138 | 704.963.5..... | 159 |
| 704.910.2..... | 143 | 704.918.4..... | 142 | 704.963.6..... | 159 |
| 704.910.2B..... | 141 | 704.918.4FS..... | 145 | 704.963.7..... | 159 |
| 704.910.3..... | 140 | 704.918.5..... | 138 | 704.963.8..... | 159 |
| 704.910.3..... | 143 | 704.918.5..... | 142 | 704.963.9..... | 159 |
| 704.910.3B..... | 141 | 704.925.0..... | 131 | 704.964.5..... | 148 |
| 704.910.4..... | 140 | 704.925.2..... | 131 | 704.964.7..... | 132 |
| 704.910.4..... | 143 | 704.925.3..... | 131 | 704.964.8..... | 132 |
| 704.910.4B..... | 141 | 704.925.7..... | 130 | 704.964.9..... | 132 |
| 704.910.4BFS..... | 144 | 704.925.8..... | 129 | 704.965.1..... | 149 |
| 704.910.4FS..... | 144 | 704.925.9..... | 129 | 704.965.2..... | 149 |
| 704.910.5..... | 140 | 704.927.6..... | 161 | 704.965.3..... | 149 |
| 704.910.5..... | 143 | 704.927.6A..... | 161 | 704.965.4..... | 149 |
| 704.910.5B..... | 141 | 704.927.6B..... | 161 | 704.965.5..... | 149 |
| 704.911.1..... | 140 | 704.927.6C..... | 161 | 704.965.6..... | 149 |
| 704.911.1..... | 143 | 704.927.8..... | 160 | 704.965.7..... | 149 |
| 704.911.2..... | 140 | 704.927.9..... | 160 | 704.965.8..... | 149 |
| 704.911.2..... | 143 | 704.928.18..... | 130 | 704.965.9..... | 149 |
| 704.911.3..... | 140 | 704.928.28..... | 130 | 704.966.0..... | 149 |
| 704.911.3..... | 143 | 704.928.38..... | 130 | 704.966.1..... | 149 |
| 704.911.3B..... | 141 | 704.940.8..... | 164 | 704.966.2..... | 149 |
| 704.911.4..... | 140 | 704.940.9..... | 164 | 704.968.0..... | 119 |
| 704.911.4..... | 143 | 704.941.0..... | 157 | 704.968.1..... | 119 |
| 704.911.4/DFS..... | 144 | 704.941.1..... | 164 | 704.968.10..... | 120 |
| 704.911.4B..... | 141 | 704.941.5..... | 157 | 704.968.11..... | 120 |
| 704.911.4BFS..... | 144 | 704.941.5P..... | 157 | 704.968.12..... | 120 |
| 704.911.4FS..... | 144 | 704.941.9..... | 158 | 704.968.13..... | 120 |
| 704.911.5..... | 140 | 704.942.5..... | 155 | 704.968.2..... | 119 |
| 704.911.5..... | 143 | 704.942.5P..... | 155 | 704.968.3..... | 119 |
| 704.911.5B..... | 141 | 704.943.0..... | 133 | 704.968.4..... | 120 |
| 704.912.1..... | 140 | 704.943.1..... | 133 | 704.968.5..... | 120 |
| 704.912.1..... | 143 | 704.943.2..... | 133 | 704.970.3..... | 156 |
| 704.912.3..... | 140 | 704.943.2P..... | 133 | 704.970.4..... | 156 |
| 704.912.3..... | 143 | 704.943.5..... | 133 | 704.970.5..... | 156 |
| 704.912.4..... | 140 | 704.945.0..... | 162 | 704.970.6..... | 156 |
| 704.912.4..... | 143 | 704.945.1..... | 167 | 704.989.251..... | 131 |
| 704.912.5..... | 140 | 704.945.2..... | 167 | 704.990.0..... | 166 |
| 704.912.5..... | 143 | 704.945.3..... | 167 | 704.990.1..... | 149 |
| 704.915.1..... | 139 | 704.945.4..... | 167 | 98-968..... | 165 |
| 704.915.1..... | 142 | 704.945.5..... | 167 | IK 07..... | 161 |
| 704.915.1/D..... | 139 | 704.945.6..... | 162 | IK 07..... | 161 |
| 704.915.1/D..... | 143 | 704.945.6..... | 166 | IK 07..... | 161 |
| 704.915.2..... | 139 | 704.945.7..... | 162 | IK 07..... | 161 |
| 704.915.2..... | 142 | 704.945.8..... | 162 | | |
| 704.915.2/D..... | 139 | 704.950.0..... | 135 | | |
| 704.915.2/D..... | 143 | 704.950.0B..... | 135 | | |
| 704.915.3..... | 139 | 704.950.1..... | 135 | | |
| 704.915.3..... | 142 | 704.950.1/D..... | 135 | | |
| 704.915.3/D..... | 139 | 704.950.2/D..... | 135 | | |
| 704.915.3/D..... | 143 | 704.950.3..... | 135 | | |
| 704.915.4..... | 139 | 704.950.5..... | 134 | | |
| 704.915.4..... | 142 | 704.951.0..... | 136 | | |
| 704.915.4/D..... | 139 | 704.951.1..... | 136 | | |
| 704.915.4/D..... | 143 | 704.951.1/D..... | 136 | | |
| 704.915.4/DFS..... | 144 | 704.951.3..... | 136 | | |
| 704.915.4FS..... | 144 | 704.952.129.3..... | 137 | | |
| 704.915.5..... | 139 | 704.952.159.3..... | 137 | | |
| 704.915.5..... | 142 | 704.953.0..... | 128 | | |
| 704.915.5/D..... | 139 | 704.954.0..... | 163 | | |
| 704.915.5/D..... | 143 | 704.955.0..... | 126 | | |
| 704.917.1..... | 138 | 704.955.1..... | 126 | | |
| 704.917.1..... | 142 | 704.955.10..... | 126 | | |
| 704.917.2..... | 138 | 704.955.3..... | 127 | | |
| 704.917.2..... | 142 | 704.955.4..... | 127 | | |
| 704.917.3..... | 138 | 704.955.9..... | 126 | | |
| 704.917.3..... | 142 | 704.955.9E..... | 127 | | |
| 704.917.4..... | 138 | 704.960.0..... | 163 | | |
| 704.917.4..... | 142 | 704.960.4..... | 132 | | |