



[Home](#) [About Us](#) [Products](#) [Industrial & Application](#) [News & Carrers](#) [Contact Us](#) [Partners](#)

> > > >



[Board-to-board](#)

[Wire-to-board](#)

[Wire-to-wire](#)

[USB / HDMI connectors](#)

[PIN / Female Header connectors](#)

[Magnetic and Modular Jacks](#)

[Switches](#)

[Battery connectors](#)

[Card connectors](#)

[Cables](#)

[Home page](#) > [Products catalogs](#) > [Magnetic and Modular Jacks](#)

> Ethernet Jack, 1 Port, 10/100Base Right-Angle, Low Profile, Shielded, SMD, RJ45 interface,with LEDs



# Ethernet Jack, 1 Port, 10/100Base Right-Angle, Low Profile, Shielded, SMD, RJ45 interface,with LEDs

DW-RJ45-SM01205-XXXX-XX

Classification:[Magnetic and Modular Jacks](#)

Key words: RJ45 Jack Connectors RJ45 Magnetic Jacks Ethernet Jack

Contact Us

online message

## Product Details



[Home](#) [About Us](#) [Products](#) [Industrial & Application](#) [News & Carrers](#) [Contact Us](#) [Partners](#)



3. OPERATING LIFE : 500 CYCLES MIN.

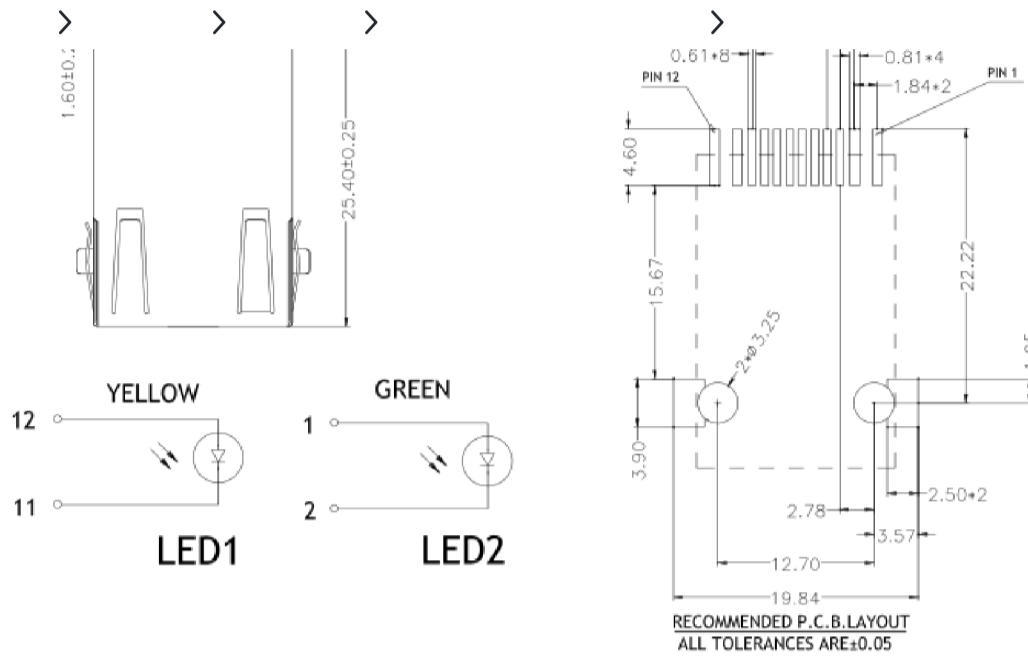
ENVIRONMENTAL:

1. STORAGE : -10°C ~ +40°C RELATIVE HUMIDITY<70%.

2. OPERATION : -40°C ~ +85°C.



Home About Us Products Industrial & Application News & Carrers Contact Us Partners



**LED Specifications:**

Standard LED Color	LED Wavelength	Forward (V Max)	Typical (V TYP)
Green	560-580 nm	2.5	2.1~2.2
Yellow	580-610 nm	2.5	2.1~2.2

**Part number Information:**

DW-RJ45 -SM01205 - XX XX -XX

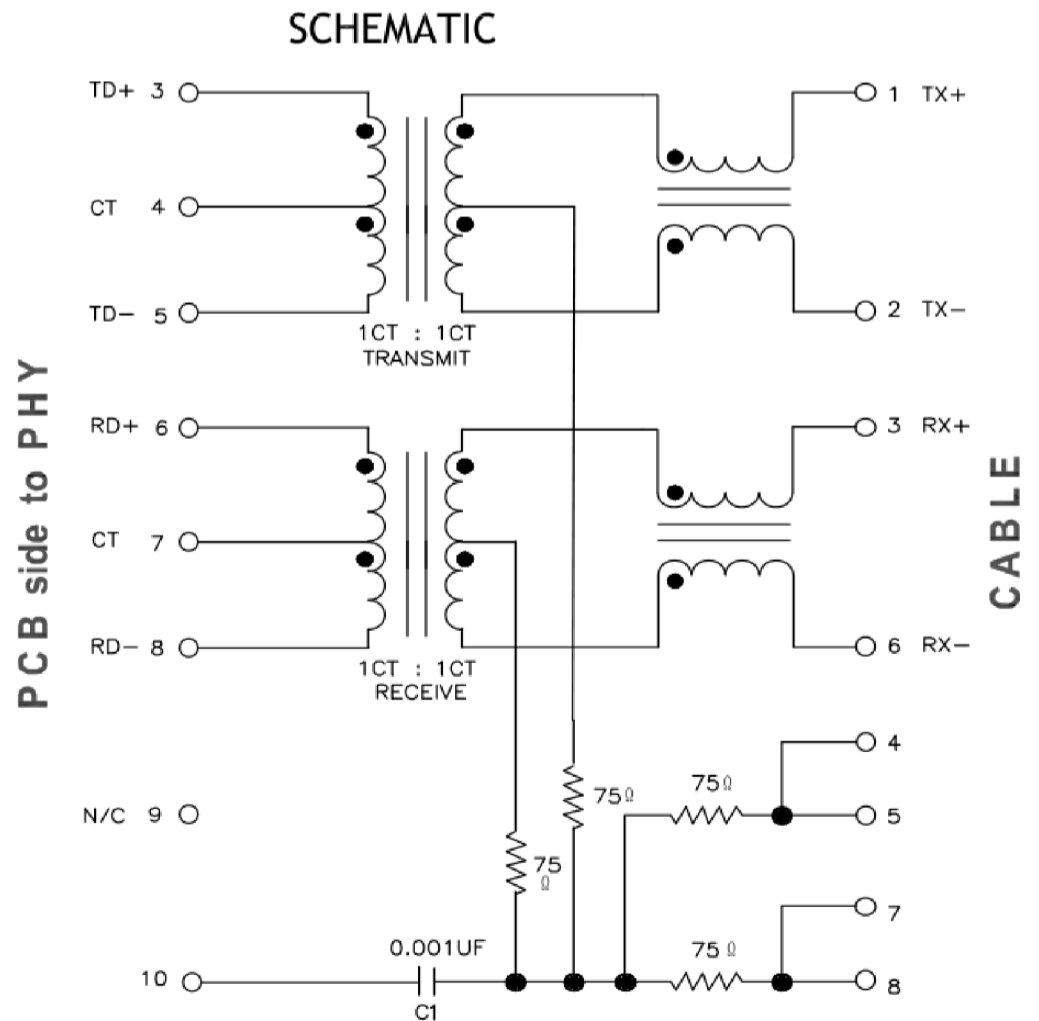
- Connector Plating  
 01:Gold Flash Plating on Contact Area  
 03:3u" Gold Plating on Contact Area  
 05:5u" Gold Plating on Contact Area  
 15:15u" Gold Plating on Contact Area  
 30:30u" Gold Plating on Contact Area  
 TR:Tape Reel  
 TP:Tray Packing  
 Series  
 01:W/O LED  
 02: LED1 GREEN LED2 YELLOW  
 03: LED1 GREEN LED2 GREEN  
 04:LED1 YELLOW LED2 GREEN

						Angle	±2°	DESIGN	Aple	2016.08.10		龍威電子有限公司 Dragon Well Ele Dragon Well Electronics Co.,Ltd	
						X.	±0.50	CHECK	Jason	2016.08.10			TITLE:
						X.X	±0.38	APPROVAL	Rix	2016.08.10			MODEL NO.
	A-0	2016.08.10	NEW	Michael	Rix	X.XX	±0.30						RJ45 10/100 BASE 1*1 Tab-UP
ECN NO.	REV	DATE	DESCRIPTION	CHANGE	APPRO.	GENERAL TOLERANCE UNLESS OTHERWISE NOTED		SCALE: N/A	UNIT:mm	A4	SHEET: 1 of 2	THIS DRAWING CONTAINS INFORMATION THAT IS PROPRIETARY TO DRAGON WELL AND SHOULD NOT BE USED WITHOUT WRITTEN PERMISSION	

RoHS COMPLIANT

**Electrical Specifications: (25 °C)**

Insertion Loss dB Max	Return Loss dB Min		
	1~100MHz	1~30MHz	60~80MHz
-1.0	-18.0	-12.0	-10.0
Common Mode Rejection dB TYP	Crosstalk dB TYP	Hi-Pot (vrms)	
		1~100MHz	150MHz
-30.0	-20.0	-30.0	1200/1mA



						Angle	±2°	DESIGN	Aple	2016.08.10		龍威電子有限公司 Dragon Well Ele Dragon Well Electronics Co.,Ltd	
						X.	±0.50	CHECK	Jason	2016.08.10			TITLE:
						X.X	±0.38	APPROVAL	Rix	2016.08.10			MODEL NO.
	A-0	2016.08.10	NEW	Michael	Rix	X.XX	±0.25						RJ45 10/100 BASE 1*1 Tab-UP
ECN NO.	REV	DATE	DESCRIPTION	CHANGE	APPRO.	GENERAL TOLERANCE UNLESS OTHERWISE NOTED		SCALE: N/A	UNIT:mm	A4	SHEET: 2 of 2	THIS DRAWING CONTAINS INFORMATION THAT IS PROPRIETARY TO DRAGON WELL AND SHOULD NOT BE USED WITHOUT WRITTEN PERMISSION	



[Home](#) [About Us](#) [Products](#) [Industrial & Application](#) [News & Carrers](#) [Contact Us](#) [Partners](#)

> > >



[Modular Jack, Right Angle, DIP, 2\\*4 Ports,...](#)

[Modular Jack, Right Angle, DIP, 2\\*6 Ports,...](#)

[Modular Jack, SMD Right Angle, Low Profi...](#)



[Ethernet Jack, 1 Port, 10/100Base Right-...](#)

## Online Messages

Full Name:

Mobile phone number:

Email:



[Home](#) [About Us](#) [Products](#) [Industrial & Application](#) [News & Carrers](#) [Contact Us](#) [Partners](#)

> > > >

## About Us

Scan code  
attention to  
us

- Company Profile
- Development process
- Our Strengths
- Certificate

## Products

- Magnetic and Modular Jacks
- Board-to-board connectors
- Wire-to-board connectors
- USB / HDMI connectors
- Pin / Female header connectors
- Switches
- Battery connectors
- Card connectors
- Cables
- Automotive connectors
- Phone Jack / DC Power Jack
- Others

## News & Carrers

- Company News
- Industry News
- Exhibition
- Dragon Well Carrers

## Contact Us

Contact us now

**0086-769-  
82866368**

Address: Building 2 Zhong  
Zheng Wei Lai Industrial Park  
Tian Xin Village, Tang Xia  
Town, Dongguan City, Guang  
Dong Province China