

Features

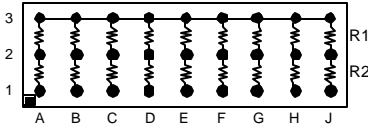
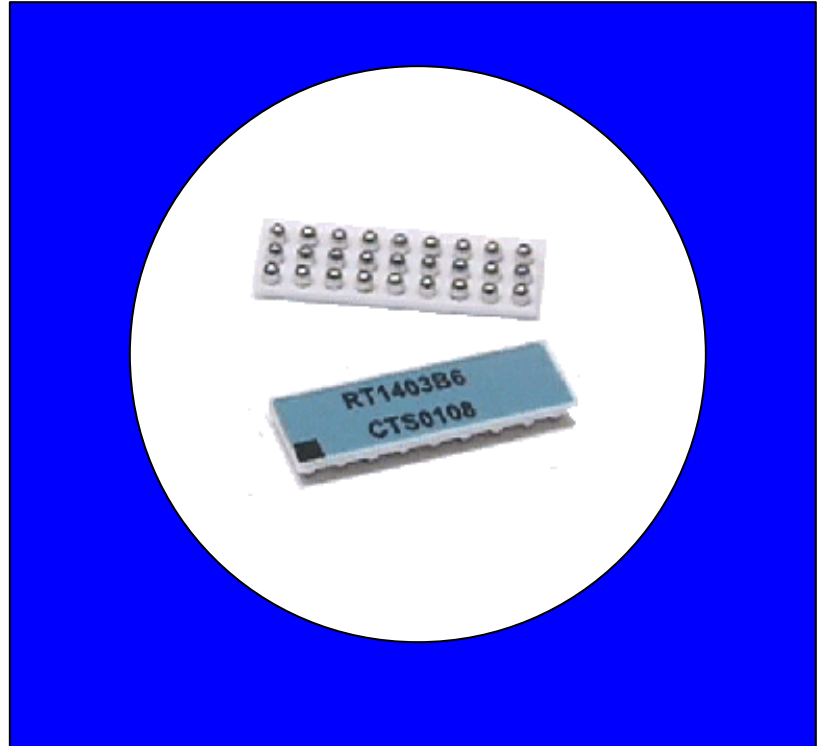
- 18 Bit SSTL_2 Termination Sets
- Compliant to JEDEC Std. 8-9A
- Excellent high frequency performance
- Slim BGA Package
- 1% Resistor Tolerance
- Low Channel Capacitance

Description

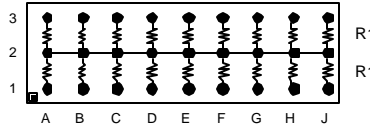
This SSTL_2 terminator network provides high performance resistor termination for SSTL_2 Class I or Class II systems.

Designed with a ceramic substrate, this device virtually eliminates channel capacitance, a primary cause of reduced system performance. In addition, the BGA package eases routing design, saving the designer many hours of printed circuit layout.

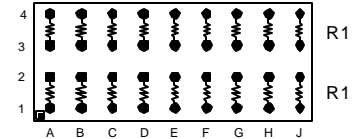
The BGA packaging has been proven to reduce rework and improve reliability.



Style H

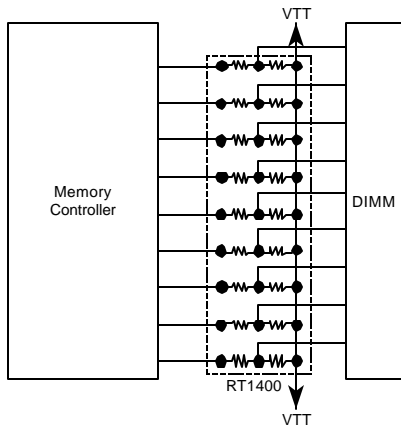


Style F



Style C

Typical Application

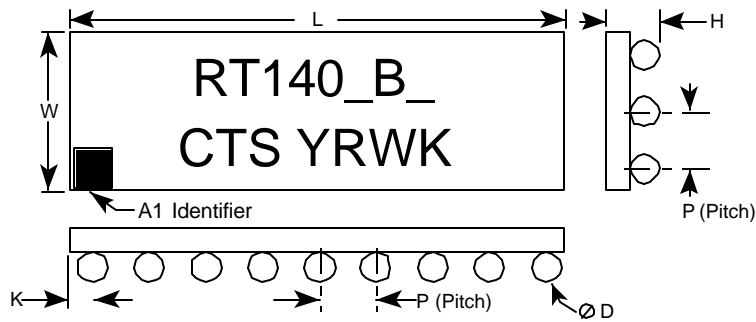


Ordering Information

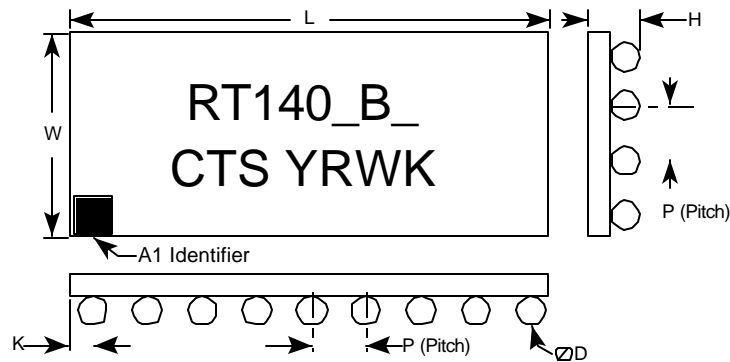
1.27mm Pitch Part Number	1.00mm Pitch Part Number	Style	R1 W	R2 W	Array Size
RT1400B6	RT1400B7	H	50	25	3 x 9
RT1401B6	RT1401B7	H	25	22	3 x 9
RT1402B6	RT1402B7	F	50	-	3 x 9
RT1403B6	RT1403B7	F	25	-	3 x 9
RT1404B6	RT1404B7	C	25	-	4 x 9
RT1405B6	RT1405B7	C	22	-	4 x 9
RT1407B6	RT1407B7	F	35	-	3 x 9
RT1408B6	RT1408B7	H	60	25	3 x 9
RT1430B6	RT1430B7	F	60	-	3 x 9
RT1432B6	RT1432B7	F	120	-	3 x 9
RT1460B6	RT1460B7	C	50	-	4 x 9
RT1463B6	RT1463B7	C	33	-	4 x 9
RT1465B6	RT1465B7	C	47	-	4 x 9

(Tape and reel packaging information is shown on page 3)

Mechanical Diagrams

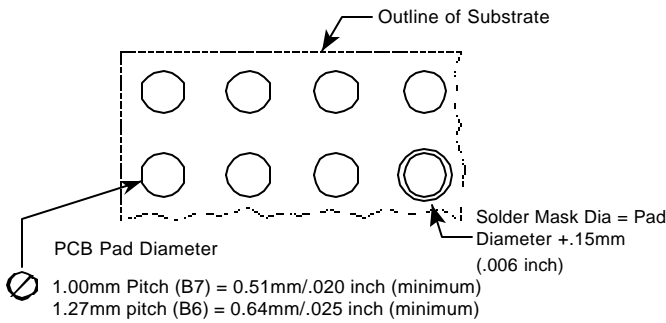


1.27mm Pitch		L	W	H	P	D	K	Coplanarity
Styles H & F	mm	11.43±0.15	3.81±0.15	1.32±0.15	1.27±0.25	0.76±0.05	0.64±0.25	0.15
	inch	.450±.006	.150±.006	.052±.006	.050±.010	.030±.002	.025±.010	.006
1.0mm Pitch		L	W	H	P	D	K	Coplanarity
Styles H & F	mm	9.00±0.15	3.00±0.15	1.19±0.15	1.00±0.25	0.64±0.05	0.50±0.25	0.15
	inch	.354±.006	.118±.006	.047±.006	.039±.010	.025±.002	.020±.010	.006



1.27mm Pitch		L	W	H	P	D	K	Coplanarity
Style C	mm	11.43±0.15	5.08±0.15	1.32±0.15	1.27±0.25	0.76±0.05	0.64±0.25	0.15
	inch	.450±.006	.200±.006	.052±.006	.050±.010	.030±.002	.025±.010	.006
1.0mm Pitch		L	W	H	P	D	K	Coplanarity
Style C	mm	9.00±0.15	4.00±0.15	1.19±0.15	1.00±0.25	0.64±0.05	0.50±0.25	0.15
	inch	.354±.006	.157±.006	.047±.006	.039±.010	.025±.002	.020±.010	.006

Recommended Land Pattern



For .006" Thick Solder Paste Stencil, Aperture Opening Should be Equal to the PCB Pad Diameter.

Tape and Reel Packaging

TR13 Suffix	
Tape Width	24 mm
Carrier Pitch	8 mm
Reel Diameter	13 inch
Parts/Reel	4,000

TR7 Suffix	
Tape Width	24 mm
Tape Pitch	8 mm
Reel Diameter	7 inch
Parts/Reel	1,000

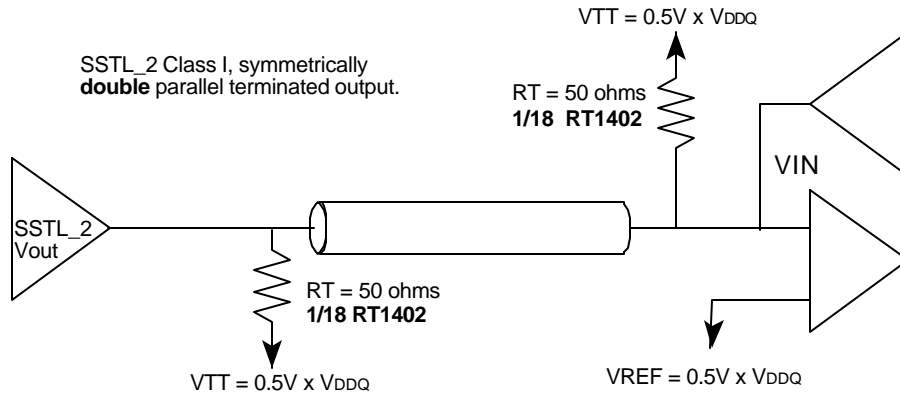
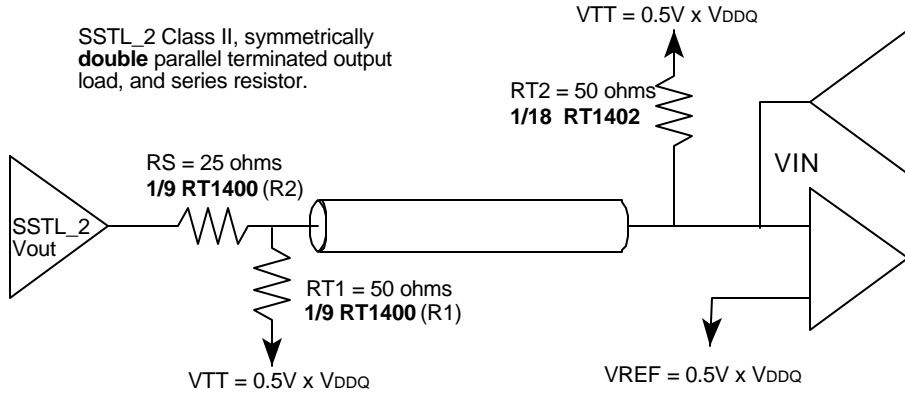
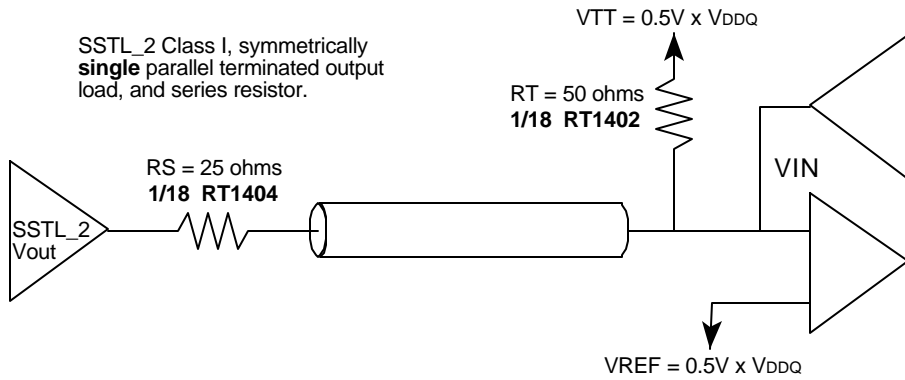
Part Number Coding

7 inch reel, Add TR7 to part number, example RT1710B7TR7

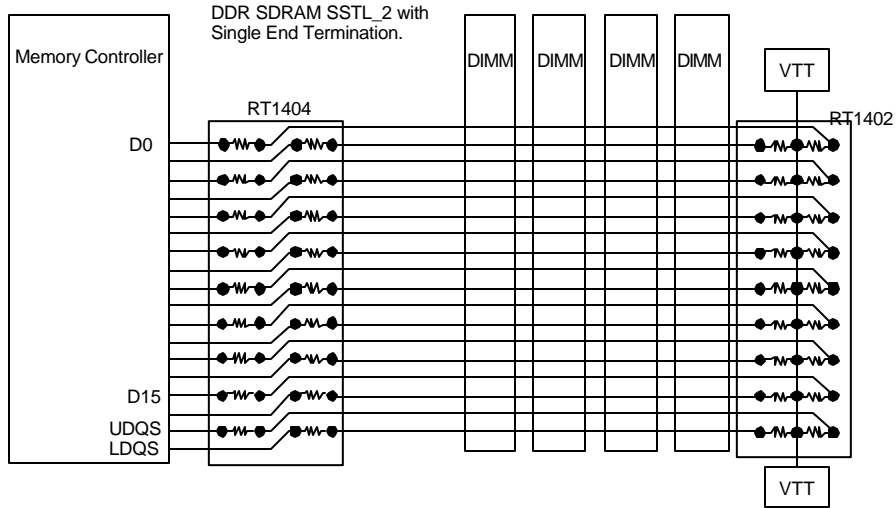
13 inch reel, Add TR13 to part number, example RT1710B7TR13

(Bulk packaging is not available)

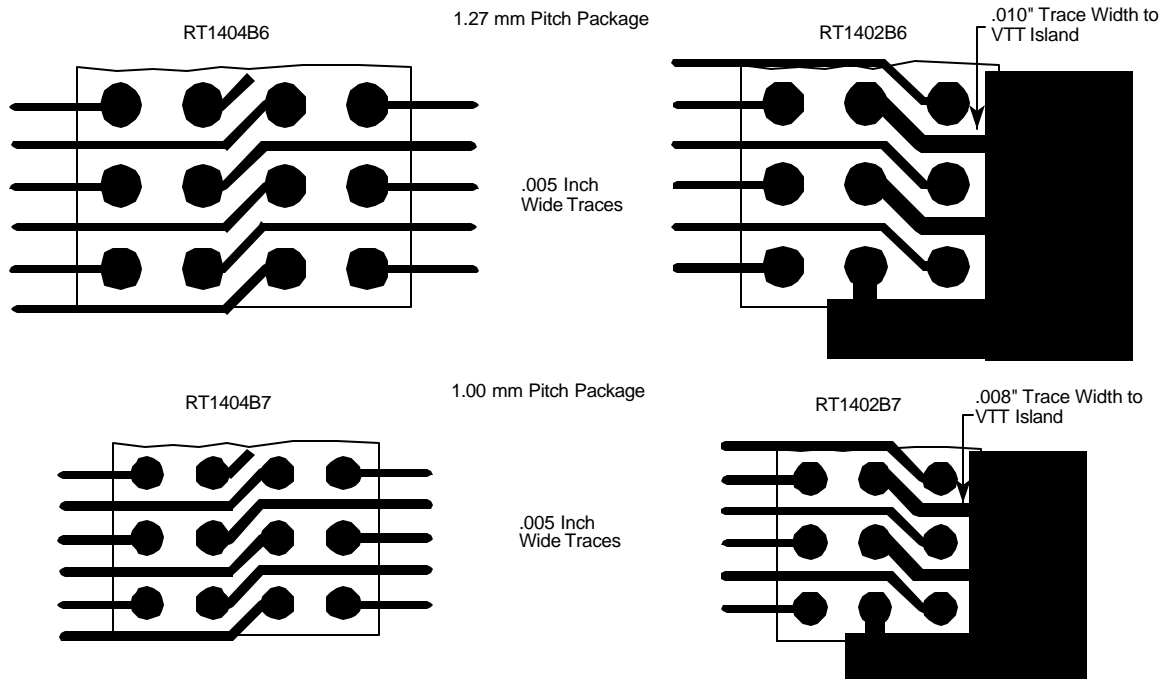
Applications



Applications



BGA Routing Scheme



Electrical Specifications

Resistor Tolerance:
± 1.0%

Temperature Coefficient of Resistance:
±200ppm/°C

Maximum Resistor Power:
0.05 Watts minimum at 70°C
(Not to exceed total package power)
Maximum resistor power will vary by resistance value.

Operating Temperature Range:
-55°C to +125°C

Maximum Package Power:
1.0 Watts at 70°C