

# CTCDRH62BF Series

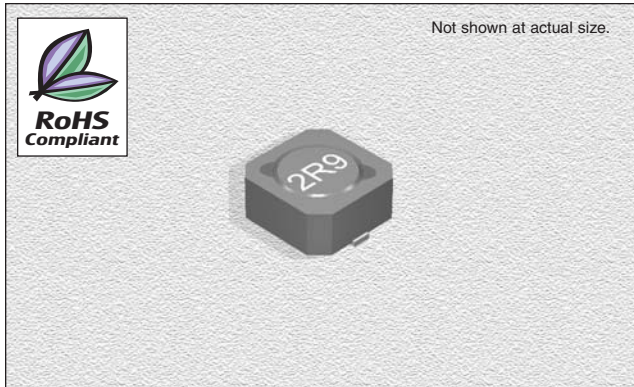
From 2.9  $\mu\text{H}$  to 330  $\mu\text{H}$

## SPECIFICATIONS

Part numbers indicate available tolerance.

M =  $\pm 20\%$ , N =  $\pm 30\%$

\*Inductance drop = 25% typ. at IDC



Part Number	Inductance ( $\mu\text{H}$ )	L Test Freq.	DCR Max. ( $\Omega$ )	*IDC Min. (A)
CTCDRH62BF-2R9N	2.9	7.96MHz	.068	1.94
CTCDRH62BF-3R3N	3.3	7.96MHz	.075	1.80
CTCDRH62BF-4R0N	4.0	7.96MHz	.080	1.63
CTCDRH62BF-4R7N	4.7	7.96MHz	.090	1.55
CTCDRH62BF-5R5N	5.5	7.96MHz	.096	1.40
CTCDRH62BF-7R1N	7.1	7.96MHz	.110	1.22
CTCDRH62BF-100M	10	1.0kHz	.150	1.10
CTCDRH62BF-120M	12	1.0kHz	.200	1.00
CTCDRH62BF-150M	15	1.0kHz	.230	0.90
CTCDRH62BF-180M	18	1.0kHz	.270	0.80
CTCDRH62BF-220M	22	1.0kHz	.340	0.74
CTCDRH62BF-270M	27	1.0kHz	.380	0.66
CTCDRH62BF-330M	33	1.0kHz	.450	0.59
CTCDRH62BF-390M	39	1.0kHz	.490	0.54
CTCDRH62BF-470M	47	1.0kHz	.690	0.50
CTCDRH62BF-560M	56	1.0kHz	.780	0.46
CTCDRH62BF-680M	68	1.0kHz	1.07	0.42
CTCDRH62BF-820M	82	1.0kHz	1.21	0.38
CTCDRH62BF-101M	100	1.0kHz	1.39	0.34
CTCDRH62BF-121M	120	1.0kHz	1.90	0.31
CTCDRH62BF-151M	150	1.0kHz	2.18	0.28
CTCDRH62BF-181M	180	1.0kHz	2.77	0.26
CTCDRH62BF-221M	220	1.0kHz	3.12	0.23
CTCDRH62BF-271M	270	1.0kHz	4.38	0.22
CTCDRH62BF-331M	330	1.0kHz	4.94	0.19

## CHARACTERISTICS

**Description:** SMD (shielded) power inductor

**Applications:** Power supplies for VTR, OA equipment, LCD televisions, PC notebooks, portable communication equipment, DC/DC converters, etc.

**Operating Temperature:**  $-40^{\circ}\text{C}$  to  $+85^{\circ}\text{C}$

**Inductance Tolerance:**  $\pm 20\%$ ,  $\pm 30\%$

**Testing:** Tested on a HP4285A at the specified frequency

**Packaging:** Tape & Reel

**Marking:** Parts are marked with inductance code

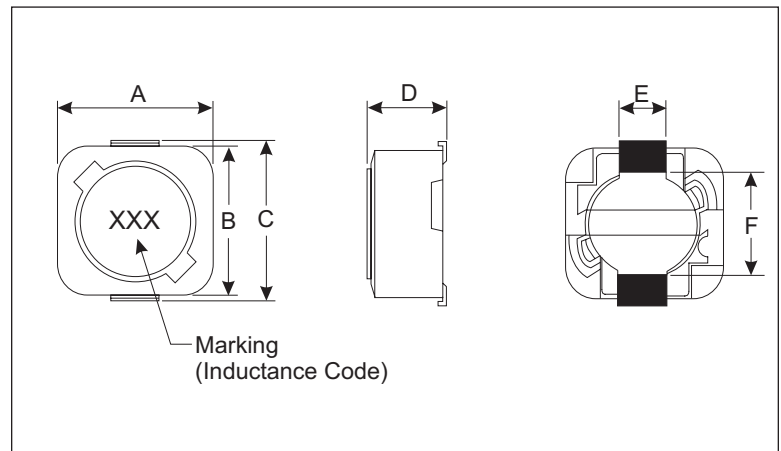
**Miscellaneous:** RoHS Compliant

**Additional Information:** Additional electrical & physical information available upon request

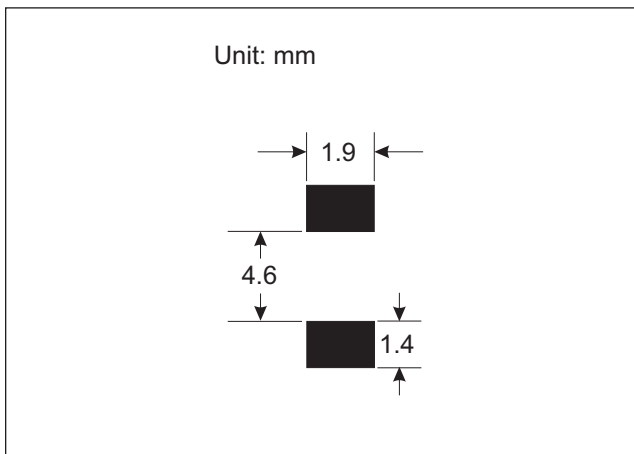
**Samples available. See website for ordering information.**

## PHYSICAL DIMENSIONS

Size	A	B	C	D Max.	E	F
mm	6.2 $\pm$ 0.3	5.9 $\pm$ 0.3	6.6 $\pm$ 0.3	3.0	1.5 $\pm$ 0.2	4.6
inches	0.24 $\pm$ 0.01	0.23 $\pm$ 0.01	0.26 $\pm$ 0.01	0.12	0.059 $\pm$ 0.008	0.18



## PAD LAYOUT



01.17.07