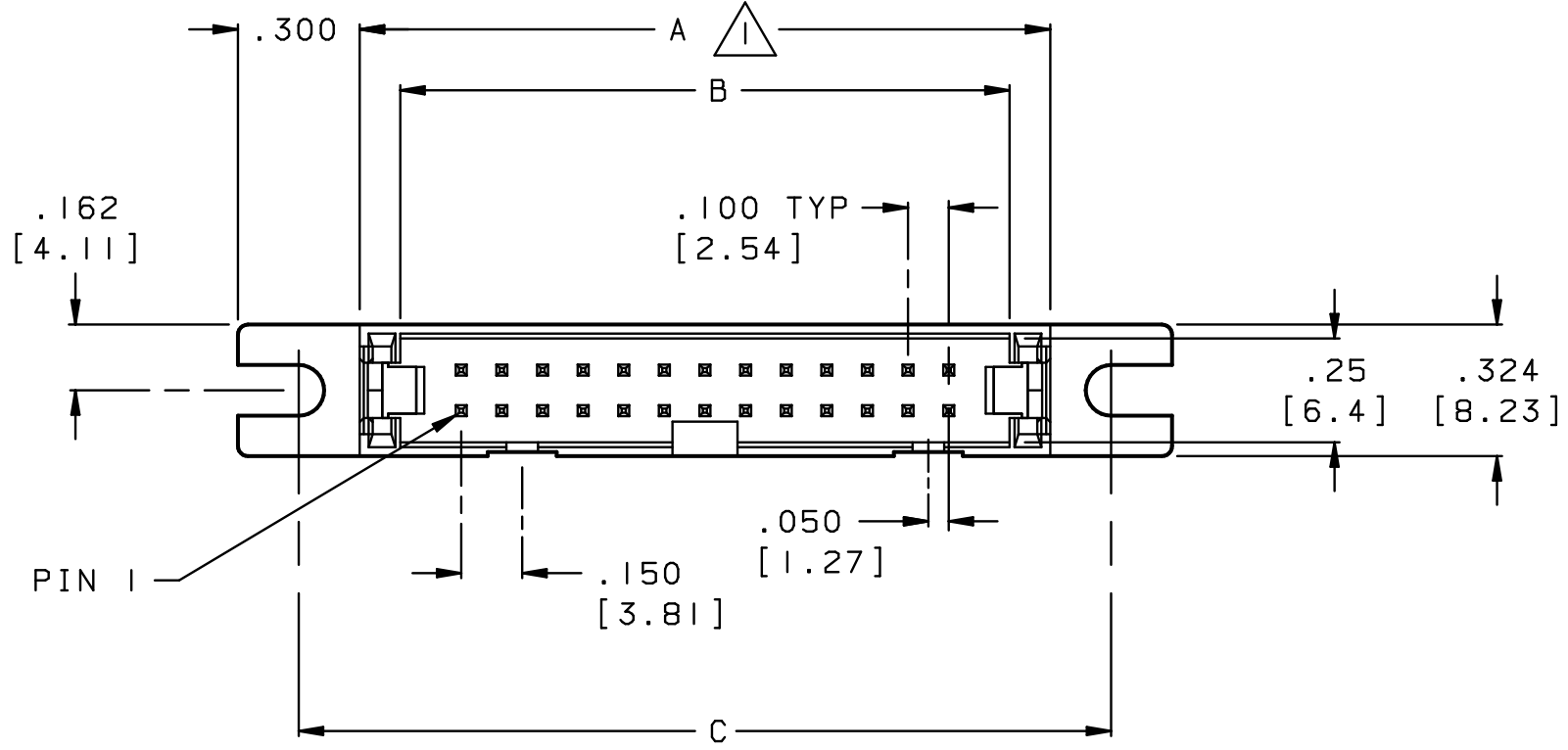
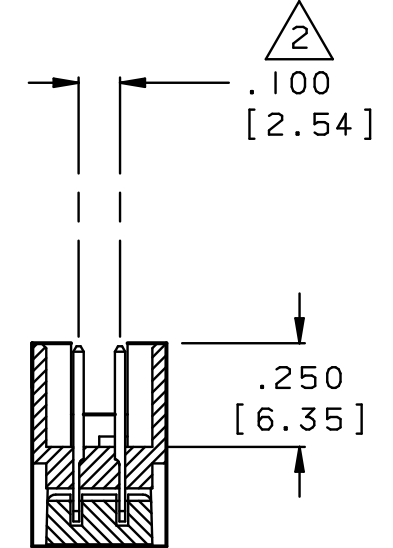
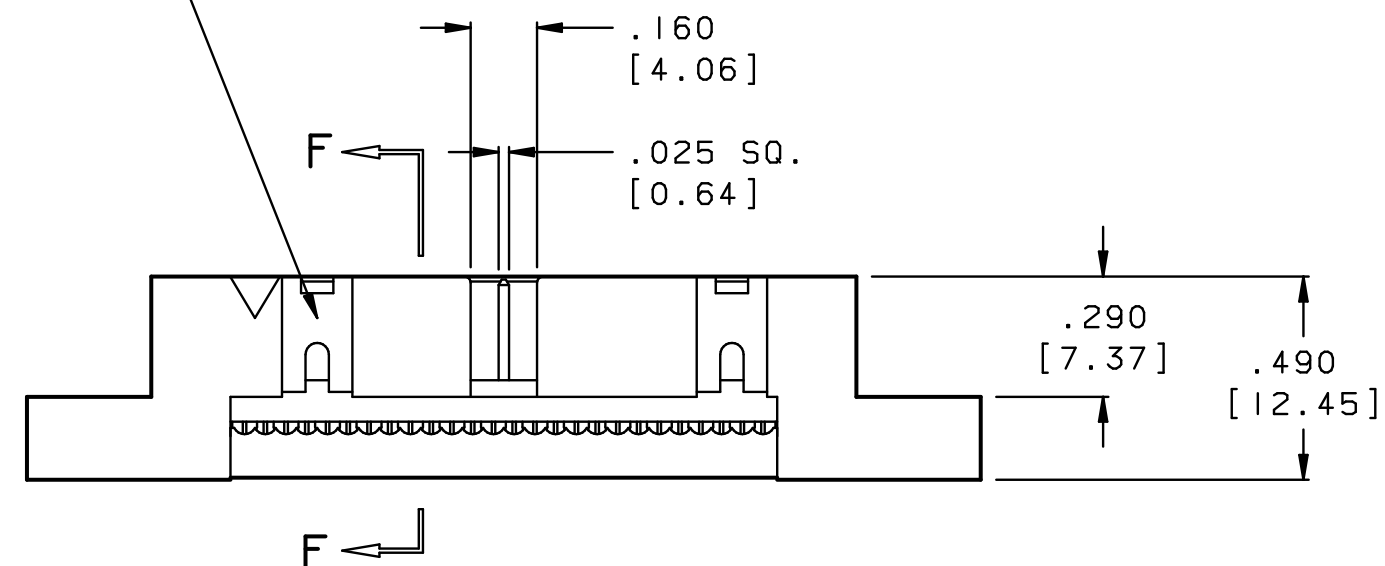


PART NO. CA-XXIDH-XX

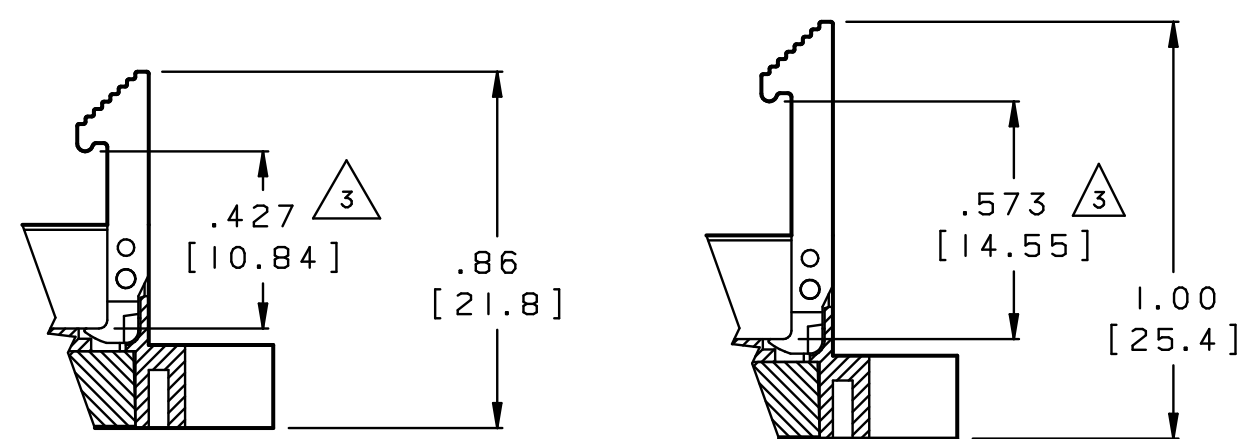
REVISIONS			
LTR	DESCRIPTION	DATE	APPROVED
A	INITIAL RELEASE SEE ECO 855	10-01-86	J. MCA.
B	SEE ECO 879	12-17-86	A. J.
C	SEE ECO 932	07-17-87	I. M.
D	SEE ECO 2281	DL 02-01-95	A. J.
E	SEE ECO 2534	PH 05-02-96	A. J.
F	SEE DO 4082	JRL 7-10-00	A. J.
G	SEE DO 4109	CLW 8-3-00	A. J.
H	SEE DO 5809	CP 6-27-05	L. F.



THE POLARIZING FEATURE ON THIS END IS OMITTED ON CA-10IDH



SECTION F-F  
SCALE 2:1



CA-IDHLE-43 CA-IDHLE-57

LATCHES ORDERED SEPARATELY.  
INSTALLED BY HAND AFTER CABLE  
TERMINATION.

TABULATION:

NO. OF POSITIONS	A		B		C	
	IN	MM	IN	MM	IN	MM
10	.900	22.86	.700	17.78	1.200	30.48
20	1.400	35.56	1.200	30.48	1.700	43.18
26	1.700	43.18	1.500	38.10	2.000	50.80
34	2.100	53.34	1.900	48.26	2.400	60.96
40	2.400	60.96	2.200	55.88	2.700	68.58
50	2.900	73.66	2.700	68.58	3.200	81.28
60	3.400	86.36	3.200	81.28	3.700	93.98

8. ORDERING NOMENCLATURE: CA-IDH--

NO. OF PIN POSITIONS: \_\_\_\_\_

INSULATION DISPLACEMENT HEADER \_\_\_\_\_

6. MOUNTING CONFIGURATION: \_\_\_\_\_

2 = EARS WITH .125 [3.18] WIDE SLOT

3 = NO MOUNTING EARS

DIMENSION A REPRESENTS OVER ALL LENGTH

PLATING: \_\_\_\_\_

C = CONTACT AREA: .000015 [.00038] GOLD  
INSULATION DISPLACEMENT AREA: .000150 [.00381] TIN  
UNDERPLATE: .000075 [.00190] NICKEL

F = CONTACT AREA: .000030 [.00076] GOLD  
INSULATION DISPLACEMENT AREA: .000150 [.00381] TIN  
UNDERPLATE: .000075 [.00190] NICKEL

ADD IF REQUIRED: \_\_\_\_\_

SPT = 10 POSITION ONLY (SEE NOTE 7)

7. POLARIZING SLOTS:
- NO SLOT ON CA-10IDH, 1 POLARIZING FEATURE
  - SINGLE SLOT ON CA-10IDH-SPT, NO POLARIZING FEATURES
  - SINGLE SLOT ON CA-20IDH THRU CA-40IDH
  - 3 SLOTS ON CA-50IDH & CA-60IDH

6.  $\Delta$  DENOTES INSPECTION CRITERIA LINE ITEM NO.
5. LATCHES MUST BE INSTALLED AFTER CABLE/CONNECTOR ASSEMBLY
4. FOR DETAIL SPECIFICATIONS, REFER TO SPECIFICATION NO. CA-100067
3. PLATING: SEE ORDERING NOMENCLATURE
2. CONTACT MATERIAL: PHOSPHOR BRONZE
1. INSULATOR MATERIAL: GLASS FILLED POLYESTER, GRAY, UL94V-0
- NOTES: UNLESS OTHERWISE SECIFIED.

DIMENSIONS ARE IN INCHES TOLERANCES ARE: DECIMALS ANGLES .XX ± .010 ± 3° .XXX ± .005	APPROVALS DRAWN S. CABRERA CHECKED J. McALLISTER	DATE 10-1-86 10-1-86	<b>CA</b> CIRCUIT ASSEMBLY CORP. 18 THOMAS ST., IRVINE, CALIFORNIA 92718-2703		
	THE INFORMATION AND DESIGN DISCLOSED HEREIN WAS ORIGINATED BY AND IS THE PROPERTY OF CIRCUIT ASSEMBLY CORPORATION. CIRCUIT ASSEMBLY CORPORATION RESERVES ALL PATENT, PROPRIETARY, DESIGN, MANUFACTURING, REPRODUCTION, USE AND SALES RIGHTS THERETO, AND TO ANY ARTICLE DISCLOSED HEREIN EXCEPT TO THE EXTENT RIGHTS ARE EXPRESSLY GRANTED TO OTHERS. THE FOREGOING DOES NOT APPLY TO VENDOR PROPRIETARY RIGHTS.				
DIMENSIONS IN BRACKETS [X.XX] ARE IN MILLIMETERS TOLERANCES ARE: DECIMALS ANGLES .X ± .25 ± 3° .XX ± .13	DO NOT SCALE DRAWING	SIZE C	CODE IDENT NO. 52072	DRAWING NO. 620228	REV. H
SCALE: 2 : 1		SHEET 1 OF 1			