

PART NO. CA-XXIDS2-X-XXX

TABULATION:

NO. OF POSITIONS	A		B	
	IN	MM	IN	MM
06	.480	12.19	.200	5.08
10	.680	17.27	.400	10.16
14	.880	22.35	.600	15.24
16	.980	24.89	.700	17.78
20	1.180	29.97	.900	22.86
26	1.480	37.59	1.200	30.48
34	1.880	47.75	1.600	40.64
40	2.180	55.37	1.900	48.26
50	2.680	68.07	2.400	60.96
60	3.180	80.77	2.900	73.66

REVISIONS			
LTR	DESCRIPTION	DATE	APPROVED
A	RELEASE TO PRODUCTION	02-22-83	J. McA.
B	SEE ECO 459	04-12-83	J. McA.
C	SEE ECO 533	11-03-83	J. McA.
D	SEE ECO 554	11-15-83	J. McA.
E	SEE ECO 701	01-21-85	J. McA.
F	REVISED AND REDRAWN, SEE ECO 801	12-04-85	A. J.
G	SEE ECO 1619	08-07-91	A. J.
H	SEE ECO 1876	12-23-92	A. J.
J	SEE ECO 1954	5-6-93	A. J.
K	SEE ECO 2530	PH 4-25-96	A. J.
L	SEE DO 5770	CP 5-12-05	A. J.
M	SEE DO 5802	CP 6-16-05	A. J.
N	SEE DO 5945	CP 11-28-05	A. J.
P	SEE DO 5450	CP 12-02-05	A. J.

ORDERING NOMENCLATURE:

CA - [] IDS2 - [] - []

NUMBER OF CONTACT POSITIONS _____
 INSULATION DISPLACEMENT SOCKET, SERIES 2
 PLATING: _____

C = CONTACT AREA: .000015 [0.00038] GOLD
 INSULATION DISPLACEMENT AREA: .000150 [0.0038] TIN
 (CIRCUIT ASSEMBLY MAY SUBSTITUTE .000003 [.000076] GOLD FLASH AS AN ALTERNATE PLATING)
 UNDERPLATE: .000075 [.00190] NICKEL

F = CONTACT AREA: .000030 [.00076] GOLD
 INSULATION DISPLACEMENT AREA: .000150 [0.0038] TIN
 (CIRCUIT ASSEMBLY MAY SUBSTITUTE .000003 [.000076] GOLD FLASH AS AN ALTERNATE PLATING)
 UNDERPLATE: .000075 [.00190] NICKEL

POLARIZING TABS: _____
 BLANK = NONE ON 10 THRU 60 POSITIONS
 SPT = SINGLE POLARIZING TAB ON 10 THRU 60 POSITIONS

STRAIN RELIEF ORDERED SEPARATELY
 PART NO. AS FOLLOWS:

⑦ CA-SR [] IDS2

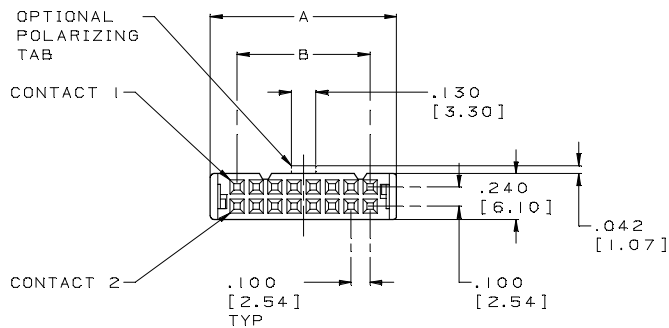
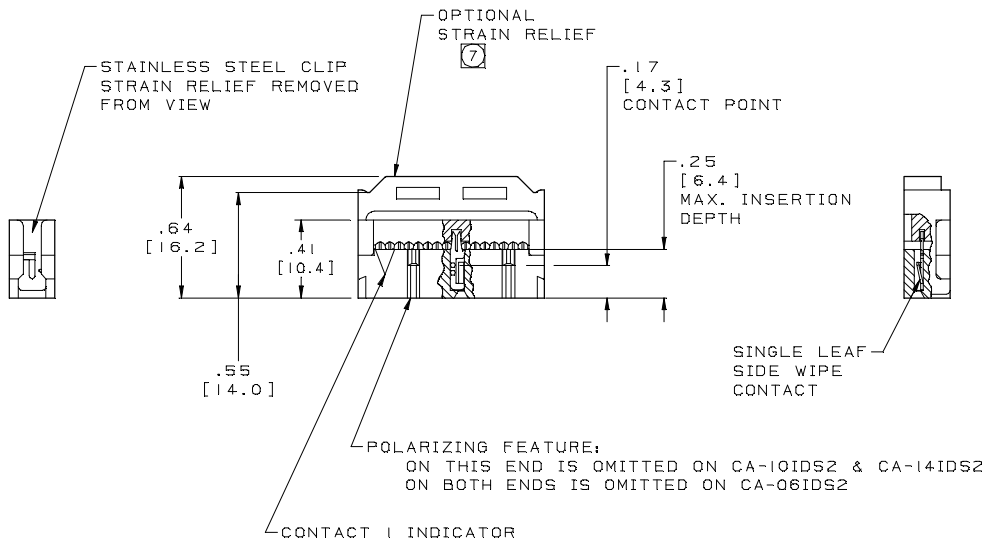
NUMBER OF CONTACT POSITIONS

- CONFORMS WITH MIL-C-83503/7C
- FOR DETAIL SPECIFICATIONS, REFER TO SPECIFICATION NO. CA-100024
- CONTACT MATERIAL: PHOSPHOR BRONZE
- INSULATOR MATERIAL: GLASS FILLED POLYESTER, GRAY, UL94V-0
- POLARIZING TABS ARE OPTIONAL, SEE ORDERING NOMENCLATURE
- MEETS THE REQUIREMENTS OF DIRECTIVE 2002/95/EC OF THE EUROPEAN PARLIAMENT AND OF THE COUNCIL OF 27 JANUARY 2003 ON THE RESTRICTION OF THE USE OF CERTAIN HAZARDOUS SUBSTANCES IN ELECTRICAL AND ELECTRONIC EQUIPMENT (RoHS).

NOTES : UNLESS OTHERWISE SPECIFIED

DIMENSIONS ARE IN INCHES TOLERANCES ARE:		APPROVALS		DATE
DECIMALS	ANGLES	DRAWN IAN MORRELL		12/4/85
.XX ± .010	± 3°	CHECKED A. JOCHEN		12/4/85
.XXX ± .005		THE INFORMATION AND DESIGN DISCLOSED HEREIN WAS ORIGINATED BY AND IS THE PROPERTY OF CIRCUIT ASSEMBLY CORPORATION. CIRCUIT ASSEMBLY CORPORATION RESERVES ALL PATENT, PROPRIETARY DESIGN, MANUFACTURING, REPRODUCTION, USE AND SALES RIGHTS THEREIN AND TO ANY ARTICLE DISCLOSED HEREIN EXCEPT TO THE EXTENT RIGHTS ARE EXPRESSLY GRANTED TO OTHERS. THE FOREGOING DOES NOT APPLY TO VENDOR PROPRIETARY RIGHTS.		
DIMENSIONS IN MILLIMETERS TOLERANCES ARE:		DO NOT SCALE DRAWING		
DECIMALS	ANGLES	SCALE: 2 : 1		
.X ± .25	± 3°	SHEET 1 OF 1		
.XX ± .13				

APPROVALS		DATE	CIRCUIT ASSEMBLY CORP.	
DRAWN IAN MORRELL		12/4/85	18 THOMAS ST., IRVINE, CALIFORNIA 92618-2777	
CHECKED A. JOCHEN		12/4/85	CONNECTOR ASSEMBLY - IDS2	
THE INFORMATION AND DESIGN DISCLOSED HEREIN WAS ORIGINATED BY AND IS THE PROPERTY OF CIRCUIT ASSEMBLY CORPORATION. CIRCUIT ASSEMBLY CORPORATION RESERVES ALL PATENT, PROPRIETARY DESIGN, MANUFACTURING, REPRODUCTION, USE AND SALES RIGHTS THEREIN AND TO ANY ARTICLE DISCLOSED HEREIN EXCEPT TO THE EXTENT RIGHTS ARE EXPRESSLY GRANTED TO OTHERS. THE FOREGOING DOES NOT APPLY TO VENDOR PROPRIETARY RIGHTS.		"RoHS COMPLIANT"		
SIZE	CODE IDENT NO.	DRAWING NO.	REV.	
C	52072	610034	P	



D

C

B

A

D

C

B

A