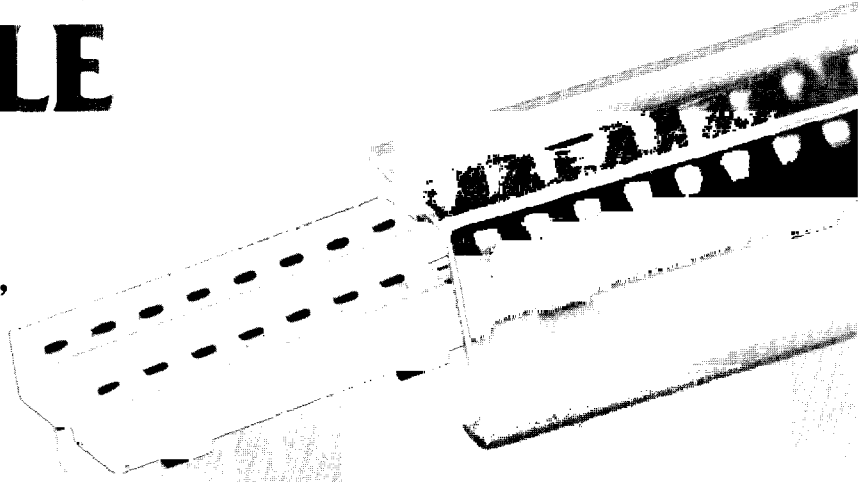
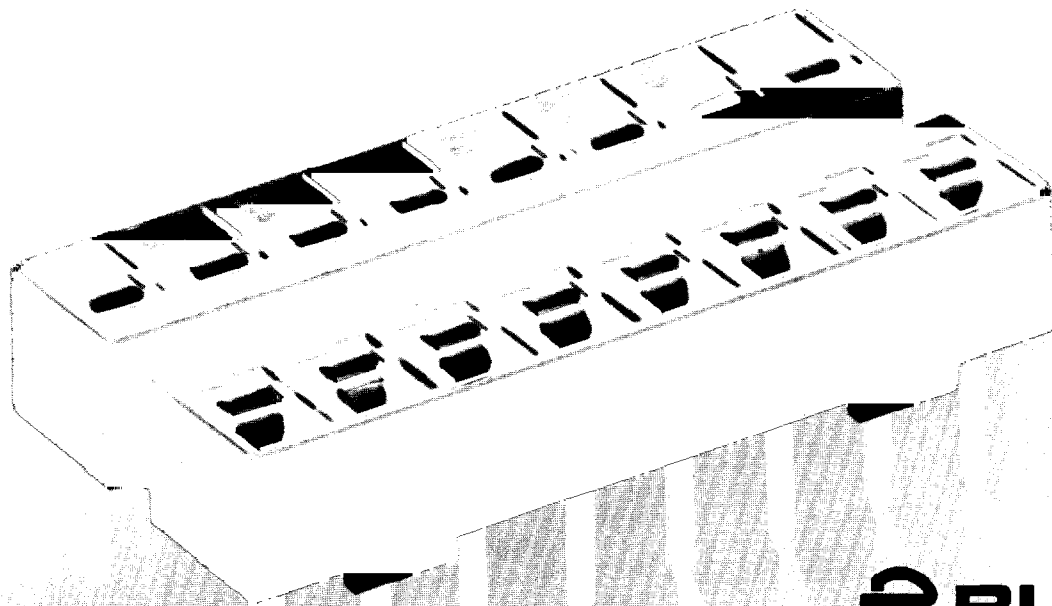


DILB-P108 DUAL IN-LINE RECEPTACLE

- Exclusive GTH™ contacts for low cost, high reliability, and good as gold performance.
- Exceeds the performance requirements of MIL-S-83734.
- Self-aligning contacts with tapered tails for faster assembly to P.C. board.
- Automatic machine insertable with state of the art insertion equipment. Supplied in antistatic plastic tubes.
- Accepts gold, tin or silver plated I. C.'s.
- High temperature UL94V-0 rated thermoplastic body.



**FOR IC PACKAGES
AND
HEADER DEVICES**



 **BURNDY**



Dual In-Line Receptacle Type DILB P-108

The new Burndy DILB-P108 series dual-in-line receptacle incorporates the latest technological advances in the development of pluggable leaded IC sockets. The DILB-P108 offers high reliability combined with low cost, easy installation and low profile design.

Low Cost Reliability

The DILB-P108 contact design is based on the patented Burndy GTH™ principal of plastic deformation to break down surface oxides. A unique contact geometry and surface metal (tin alloy) plating form gas-tight, high pressure interconnections as reliable as gold-plated systems — for as little as 1¢* a line! This new Burndy DIP socket uses tin alloy plated beryllium copper contacts for consistent performance over a continuous operating temperature from -65°C to +125°C. The Burndy DILB-P108 will accommodate IC packages of any finish — even unplated if resistance requirements permit.

Easy Installation

The unique contact design prevents wicking of solder into the contact area during the PC board soldering process. The ventilated moldings with stand-offs allow easy removal of flux residue in the assembly operation. Contact cavities are chamfered for easy insertion of the IC package and a polarizing indicator is provided for proper package alignment. In addition, a new body design permits easy access for logic monitoring and testing devices.

Low Profile Design

The compact body design of the new Burndy DILB-P108 DIP socket provides utilization of available PC board area and a profile height of .175 maximum. The DILB-P108 series is available in a range of sizes from 8 to 40 positions.

*In volume

MATERIAL

Body: Thermoplastic polyester, glass re-enforced. Color black.
Contacts: Beryllium copper
Plating: DILB-P-108 — Tin alloy postplated
Flammability Rating: UL 94 V-0

PERFORMANCE CHARACTERISTICS

Contact Resistance (maximum): 20 Milliohms

Test Current: 1 Ampere

Operating Temperature: Continuous -65°C to +125°C (1,000 hours stress relaxation)

Insulation Resistance (500 V.D.C.): 100,000 Megohms minimum

Dielectric Withstanding Voltage: 1000 Volts A.C. RMS minimum.

Durability: 50 Cycles — No electrical degradation.

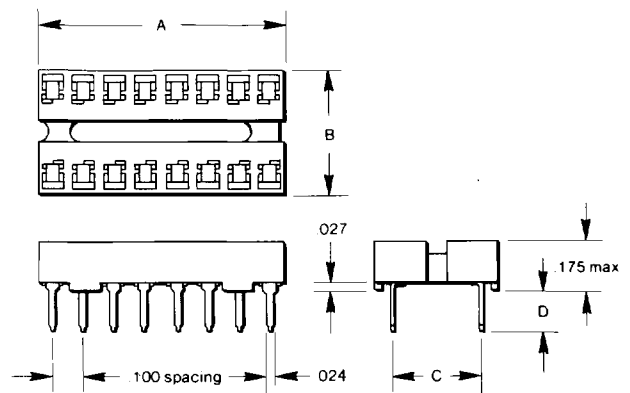
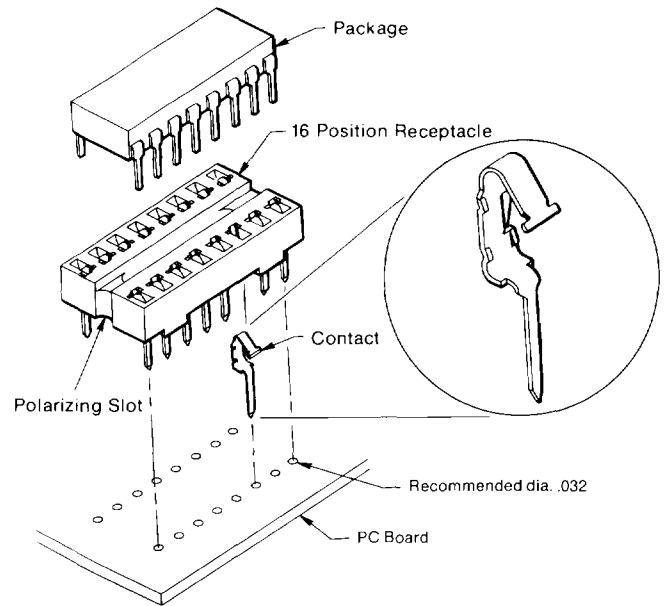
Thermal Shock: MIL-STD 1344, Method 1003, Condition B. No physical or electrical degradation.

Moisture Resistance: MIL-STD 202, Method 106; except omit steps 7a and 7b. 300 Megohms minimum.

Vibration: MIL-STD 1344, Method 2005, Condition III. No electrical interruption greater than 1 microsecond.

Mechanical Shock: MIL-STD 202, Method 213, Condition I. No electrical interruption greater than 1 microsecond.

These performance characteristics conform to the requirements of MIL-S-83734.



ORDERING INFORMATION

Catalog Number	Number of Contacts	Dimensions			
		A	B Max.	C ± .010	D ± .010
DILB8P-108T	8	.400	.400	.300	.130
DILB14P-108T	14	.700			
DILB16P-108T	16	.800			
DILB18P-108T	18	.900			
DILB20P-108T	20	1.000			
DILB22P-108T	22	1.100	.500	.400	.130
DILB24P-108T	24	1.200	.700	.600	
DILB28P-108T	28	1.400			
DILB40P-108T	40	2.000			



Printed in U.S.A.
REORDER NO. 1003

©1981 Burndy Corporation
CG-201791
REV.-CG-51381