



Features

- Ultra-tight tolerance
- Wide resistance range
- RoHS compliant*
- Four package sizes available

Applications

- Current sense
- Precision circuits

CRT Series - Thin Film Precision Chip Resistors

Electrical Characteristics

Characteristic	Model CRT0402	Model CRT0603	Model CRT0805	Model CRT1206
Power Rating @ 70 °C	1/16 watt	1/10 watt	1/8 watt	1/8 watt
Operating Temperature Range	-55 to +155 °C			
Derated to Zero Load at	+155 °C			
Maximum Working Voltage	25 V	50 V	100 V	150 V
Maximum Overload Voltage	50 V	100 V	200 V	300 V
Resistance Range (E-96 + E-24 Values)	(See Value-TCR Table on Page 2)			
Temperature Coefficient of Resistance (TCR)	5 to 50 PPM/°C (See Value-TCR Table on Page 2)			

Environmental Characteristics

Specification	Test (MIL STD 202)	Limit (ΔR) (Tol. ≤ 0.05 %)	Limit (ΔR) (Tol. > 0.05 %)
Short Time Overload	2.5 x Max. Operating Voltage for 5 seconds	± 0.05 %	± 0.5 %
Load Life	1000 Hours at Rated Power	± 0.05 %	± 0.2 %
Humidity (Steady State)	Method 103B	± 0.05 %	± 0.3 %
Thermal Shock	Method 107	± 0.05 %	± 0.3 %
Solderability	Method 208H		
Resistance to Soldering Heat	Method 210E	± 0.05 %	± 0.2 %

How To Order

CRT 0603 - C V - 1003 E LF

Model _____
(CRT = Thin Film Precision Chip Resistor)

Size _____
 • 0402
 • 0603
 • 0805
 • 1206

Resistance Tolerance _____
 F = $\pm 1\%$ B = $\pm 0.1\%$
 D = $\pm 0.5\%$ A = $\pm 0.05\%$
 C = $\pm 0.25\%$ P = $\pm 0.01\%$

TCR (PPM/°C) _____
 Z = ± 50 W = ± 10
 Y = ± 25 V = ± 5
 X = ± 15

Resistance Value _____
 <100 ohms: "R" represents decimal point (example: 24R3 = 24.3 ohms)
 ≥ 100 ohms: First three digits are significant, fourth digit represents number of zeroes to follow (example: 8252 = 82.5K ohms)

Packaging _____
 G = Paper tape (10,000 pcs.) on 7" plastic reel (CRT0402)
 E = Paper tape (5,000 pcs.) on 7" plastic reel (CRT0603, CRT0805, CRT1206)

Termination _____
 LF = Tin-plated (RoHS compliant)

For Standard Values Used in Capacitors, Inductors, and Resistors, [click here](#).



Asia-Pacific:

TEL +886-2 25624117
 FAX +886-2 25624116

Europe:

TEL +41-41 7685555
 FAX +41-41 7685510

The Americas:

TEL +1-951 781-5500
 FAX +1-951 781-5700

www.bourns.com

CRT Series - Thin Film Precision Chip Resistors

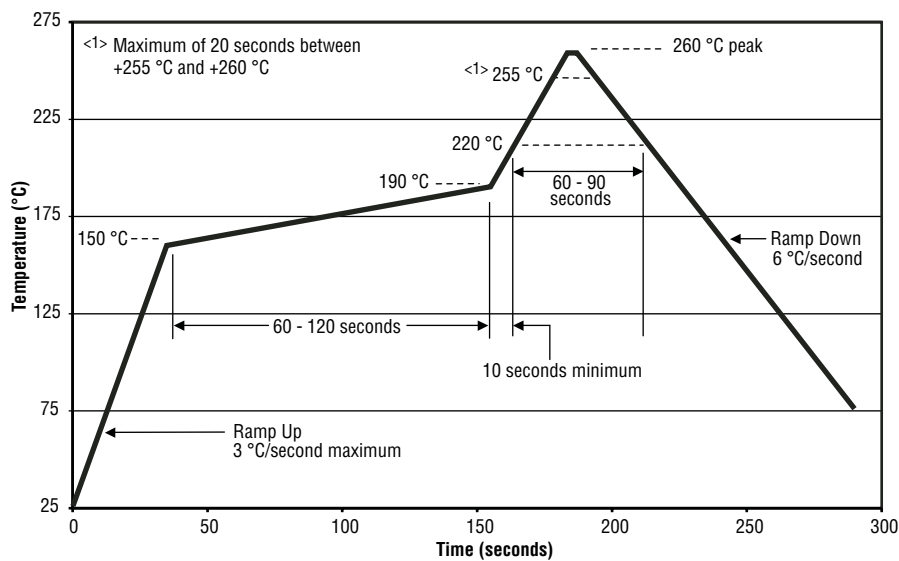


Value-TCR Table

Model	Range (ohms)	Tolerance <1>	TCR (PPM/°C)
CRT0402	50 - 2K	0.01 % to 0.5 %	5
	50 - 12K	0.01 % to 0.5 %	10, 15
	10 - 100K	0.1 % to 1.0 %	25, 50
CRT0603	50 - 8K	0.01 % to 0.5 %	5
	25 - 100K	0.01 % to 0.05 %	10, 15
	47 - 332K	0.1 % to 0.5 %	10, 15
	4.7 - 402K	0.1 % to 1.0 %	25, 50
CRT0805	50 - 16K	0.01 % to 0.5 %	5
	25 - 200K	0.01 % to 0.05 %	10, 15
	4.7 - 500K	0.1 % to 0.5 %	10, 15
	4.7 - 1M	0.1 % to 1.0 %	25, 50
	1 - 4.6	0.25 % to 1.0 %	25, 50
CRT1206	50 - 300K	0.01 % to 0.5 %	5
	25 - 500K	0.01 % to 0.05 %	10, 15
	4.7 - 1M	0.1 % to 0.5 %	10, 15
	4.7 - 1M	0.1 % to 1.0 %	25, 50
	1 - 4.6; 1M - 2M	0.25 % to 1.0 %	25, 50

<1> Increments of tolerance: 0.01 %, 0.05 %, 0.1 %, 0.25 %, 0.5 %, 1.0 %

Soldering Profile for RoHS Compliant Chip Resistors and Arrays



Specifications are subject to change without notice. Customers should verify actual device performance in their specific applications.

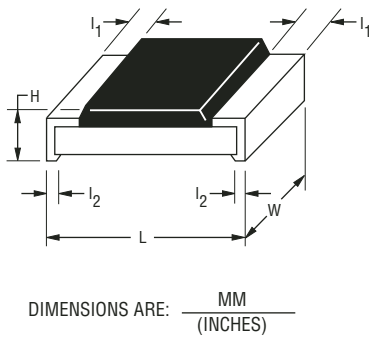
CRT Series - Thin Film Precision Chip Resistors

BOURNS®

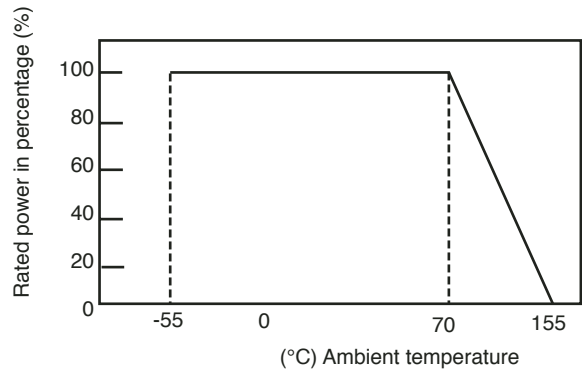
Chip Dimensions

Dimension	Model CRT0402	Model CRT0603	Model CRT0805	Model CRT1206
L	$\frac{1.00 \pm 0.10}{(0.040 \pm 0.004)}$	$\frac{1.55 \pm 0.10}{(0.061 \pm 0.004)}$	$\frac{2.00 \pm 0.15}{(0.079 \pm 0.006)}$	$\frac{3.05 \pm 0.15}{(0.120 \pm 0.006)}$
W	$\frac{0.50 \pm 0.05}{(0.020 \pm 0.002)}$	$\frac{0.80 \pm 0.10}{(0.031 \pm 0.004)}$	$\frac{1.25 \pm 0.15}{(0.049 \pm 0.006)}$	$\frac{1.55 \pm 0.15}{(0.061 \pm 0.006)}$
H	$\frac{0.30 \pm 0.05}{(0.012 \pm 0.002)}$	$\frac{0.45 \pm 0.15}{(0.018 \pm 0.006)}$	$\frac{0.55 \pm 0.10}{(0.022 \pm 0.004)}$	$\frac{0.55 \pm 0.10}{(0.022 \pm 0.004)}$
l_1	$\frac{0.20 \pm 0.10}{(0.008 \pm 0.004)}$	$\frac{0.30 \pm 0.20}{(0.012 \pm 0.008)}$	$\frac{0.30 \pm 0.20}{(0.012 \pm 0.008)}$	$\frac{0.42 \pm 0.20}{(0.017 \pm 0.008)}$
l_2	$\frac{0.20 \pm 0.10}{(0.008 \pm 0.004)}$	$\frac{0.30 \pm 0.20}{(0.012 \pm 0.008)}$	$\frac{0.40 \pm 0.25}{(0.016 \pm 0.010)}$	$\frac{0.35 \pm 0.25}{(0.020 \pm 0.014)}$

Dimensional Drawing



Derating Curve

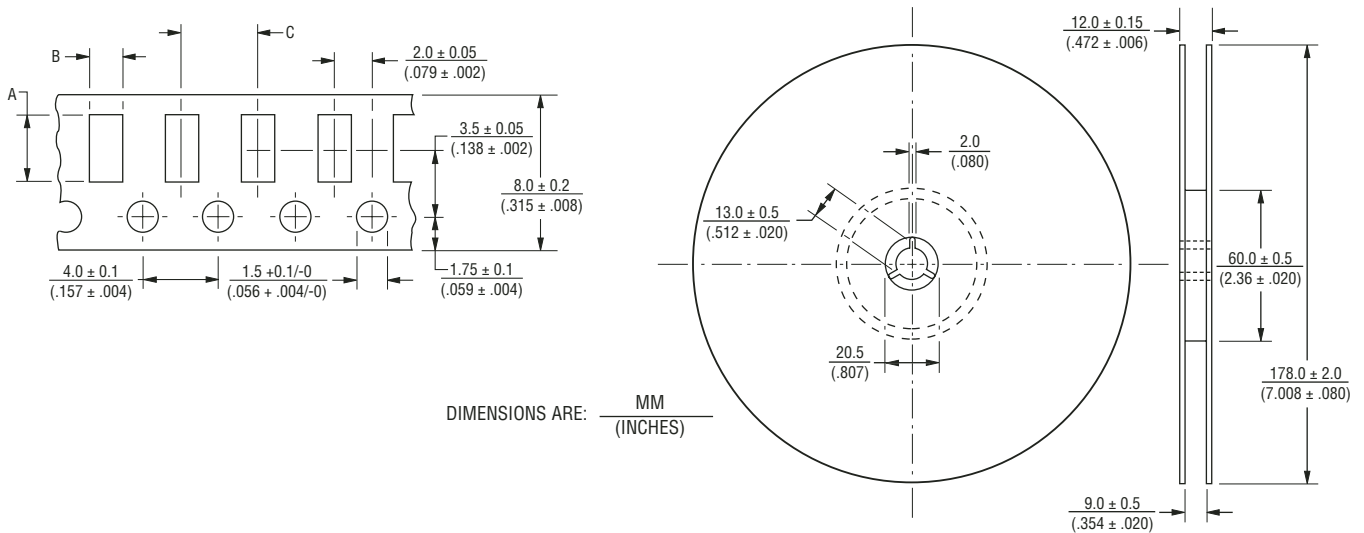


CRT Series - Thin Film Precision Chip Resistors

BOURNS®

Packaging Dimensions - Tape

Dimension	Model CRT0402	Model CRT0603	Model CRT0805	Model CRT1206
A	$\frac{1.16 \pm 0.05}{(0.046 \pm 0.002)}$	$\frac{1.90 \pm 0.05}{(0.075 \pm 0.002)}$	$\frac{2.37 \pm 0.05}{(0.094 \pm 0.002)}$	$\frac{3.55 \pm 0.05}{(0.140 \pm 0.002)}$
B	$\frac{0.70 \pm 0.05}{(0.028 \pm 0.002)}$	$\frac{1.10 \pm 0.05}{(0.043 \pm 0.002)}$	$\frac{1.60 \pm 0.05}{(0.063 \pm 0.002)}$	$\frac{2.00 \pm 0.05}{(0.079 \pm 0.002)}$
C	$\frac{2.00 \pm 0.05}{(0.079 \pm 0.002)}$	$\frac{4.00 \pm 0.10}{(0.157 \pm 0.004)}$	$\frac{4.00 \pm 0.10}{(0.157 \pm 0.004)}$	$\frac{4.00 \pm 0.10}{(0.157 \pm 0.004)}$



REV. 02/08

Specifications are subject to change without notice.
Customers should verify actual device performance in their specific applications.