

# Vatronics Technologies Limited

•  
•

## 3266 6mm Square Multi-Turn Trimmer Potentiometers

Vatronics makes 3266W,3266X,3266P Series.

### Electrical Characteristics

Range of resistance  $10\Omega$ — $1M\Omega$  Resistance tolerance  $\pm 10\%$

Terminal resistance  $\leq 2\Omega$  or  $1\%R$

Contact resistance variation  $CRV \leq 3\%R$  or  $3\Omega$

Insulation resistance  $R_e \geq 1G\Omega$  Withstand voltage  $600V_{dc}$

Limit current of moving contact  $30mA$

Effective electrical travel  $12 \pm 2$  turns



### Vatronics Environment Characteristics

Rated power ( $200V_{max}$ )  $0.25W \cdot 70^\circ$

Temperature range  $-55^\circ$ — $+125^\circ$

TCR  $\pm 100ppm/^\circ$ ;  $\pm 250ppm/^\circ$

Temperature variation  $-55^\circ, 30min, +125^\circ, 30min$  5cycles

$\Delta R \leq 2\%R$ ,  $\Delta(U_{ab}/U_{ac}) \leq 1\%$

Collision  $390m/s^2 \cdot 4000$  cycle  $\Delta R \leq 1\%R$

Vibration  $10$ — $2000HZ \cdot 0.75mm, 6h$

$\Delta R \leq 1\%R$ ,  $\Delta(U_{ab}/U_{ac}) \leq 2\%$

Climate category  $\Delta R \leq 3\%R \cdot R_e \geq 100M\Omega$

Endurance at  $70^\circ 0.25W$ ;  $1000h \Delta R \leq 3\%R \cdot CRV \leq 3\%R$

Mechanical endurance  $200$  cycles  $\Delta R \leq 3\%R \cdot CRV \leq 3\%R$

Steady damp—heat  $\Delta R \leq 3\%R \cdot R_e \geq 100M\Omega$

### Vatronics Physical Characteristics Total

•mechanical travel

$15 \pm 2$  turns

Starting torque  $\leq 25mN.m$

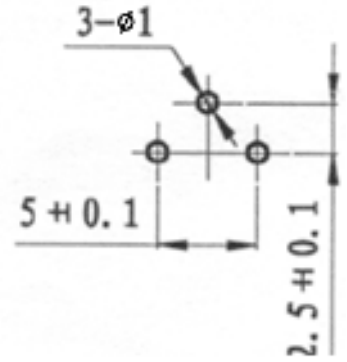
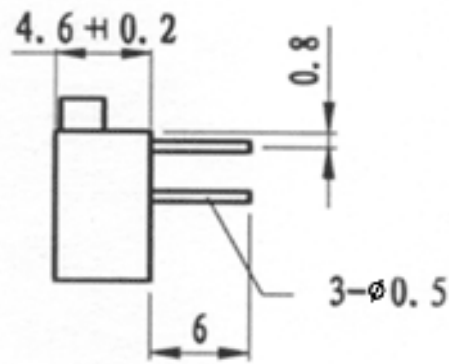
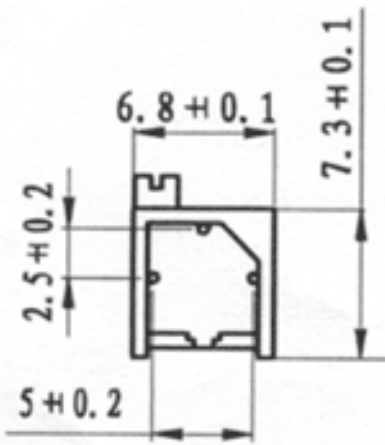
Mark

Resistance code, resistance tolerance  
( $\pm 10\%$  no indication), lot No

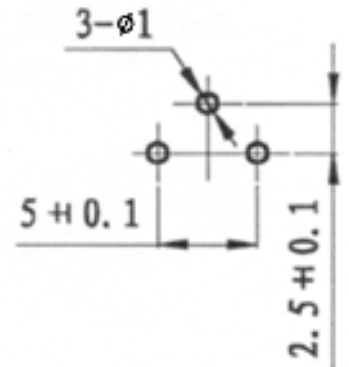
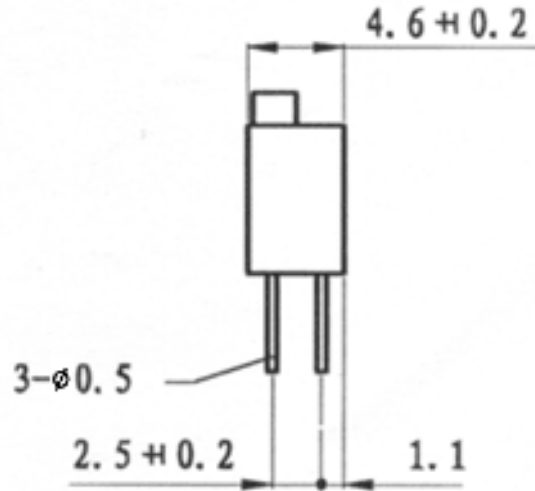
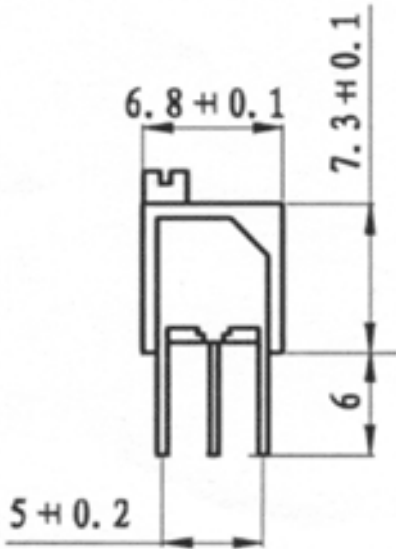
Standard pack 50pcs/tube

**Vatronics Technologies Limited**

<http://www.vatronics.com> [sales@vatronics.com](mailto:sales@vatronics.com)

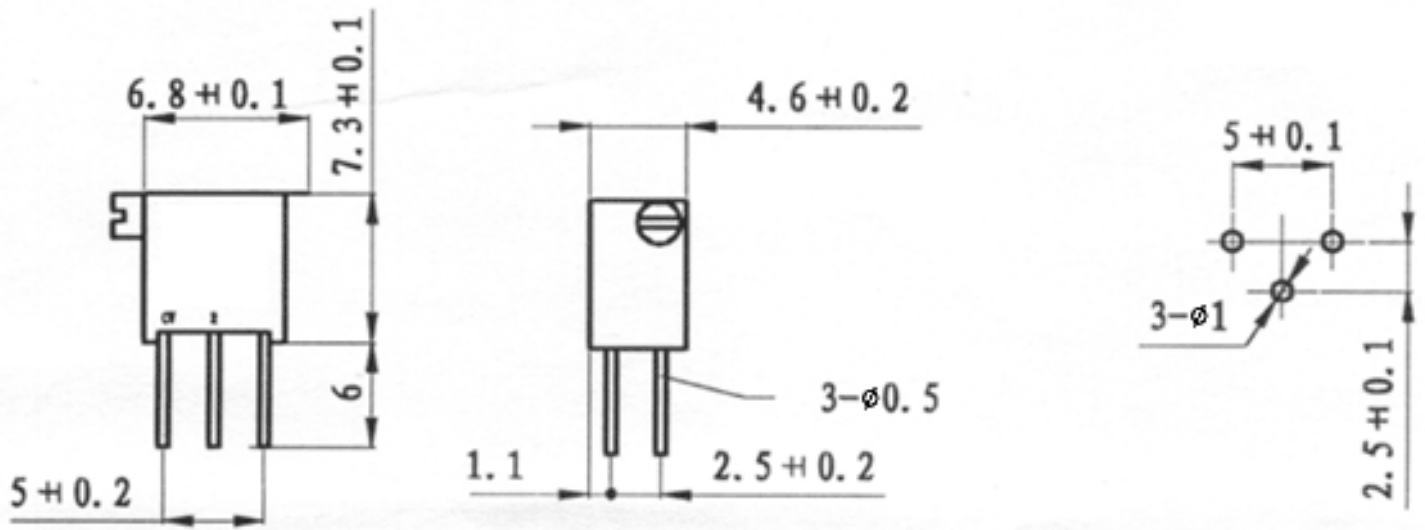


### Vatronics 3266P DRAWING



### Vatronics 3266W DRAWING

Vatronics Technologies Limited  
<http://www.vatronics.com> [sales@vatronics.com](mailto:sales@vatronics.com)



**Vatronics 3266X DRAWING**

**Vatronics Technologies Limited**  
<http://www.vatronics.com> [sales@vatronics.com](mailto:sales@vatronics.com)