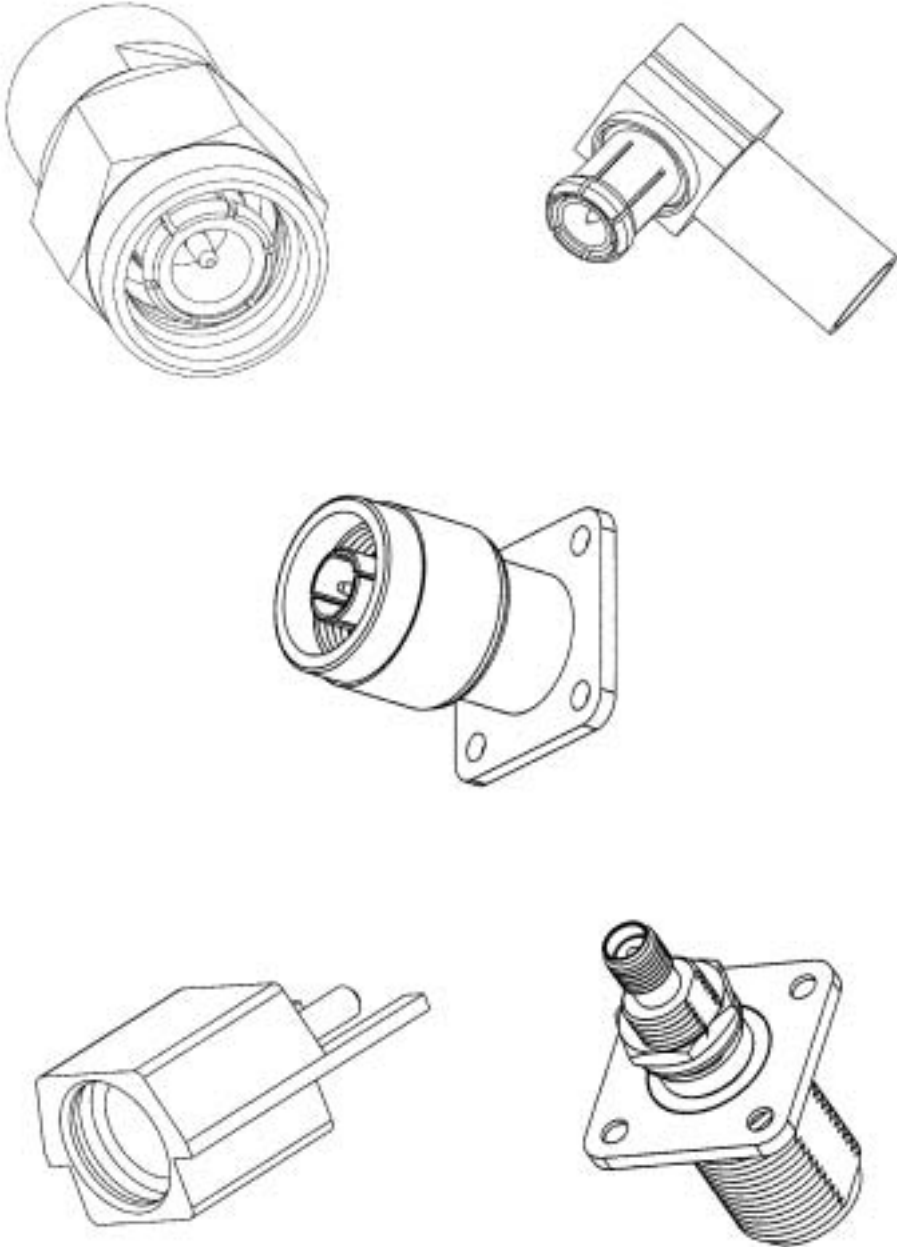


RF Products



RF/Coaxial



General Information

Part Number Coding	30-2
Cable Termination Style	30-3
Connector Nomenclature	30-4
Mounting Plate	30-6
Mounting Hole	30-7
Printed Circuit Board Layout	30-8
Cable Data	30-9

BNC Series

50 Ohm Connectors

Specifications	30-10
Cable	30-12
Receptacle	30-20
Adapter	30-23
Termination	30-26
Cap.	30-27

75 Ohm Connectors

Specifications	30-28
Cable	30-30
Receptacle	30-33
Adapter	30-36
Termination	30-37

BNC TRIAX

Specifications	30-38
Cable	30-40
Receptacle	30-41
Adapter	30-42
Termination	30-44
Cap.	30-44

TNC Series

50 Ohm Connectors

Specifications	30-46
Cable	30-48
Receptacle	30-55
Adapter	30-57
Termination	30-58
Cap.	30-59

TNC TRIAX

Specifications	30-60
Cable	30-62
Receptacle	30-63
Adapter	30-64

N Series

50 Ohm

Specifications	30-66
Cable	30-68
Receptacle	30-73
Adapter	30-75
Termination	30-77
Cap.	30-78

75 Ohm

Specifications	30-80
Cable	30-82
Receptacle	30-84
Adapter	30-85

SMA Series

Specifications	30-86
Cable	30-88
Receptacle	30-93
Adapter	30-99

SMB Series

50 Ohm Connectors

Specifications	30-102
Cable	30-104
Receptacle	30-107
Adapter	30-110

75 Ohm Connectors

Specifications	30-112
Cable	30-114
Receptacle	30-115
Adapter	30-117

SMC Series

50 Ohm Connectors

Specifications	30-118
Cable	30-120
Receptacle	30-123
Adapter	30-125
Termination	30-126

MCX Series

Specifications	30-128
Cable	30-130
Receptacle	30-131
Termination	30-133

MMCX Series

Specifications	30-134
Cable	30-136
Receptacle	30-137

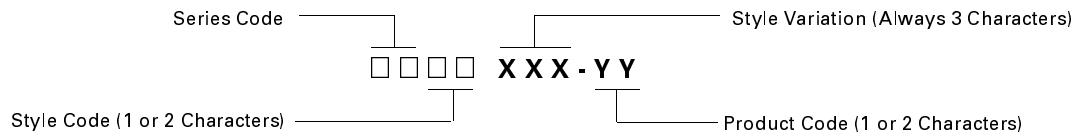
Specials

Specifications	30-140
Receptacle	30-141
Adapter	30-143

Part Number Index 30-146

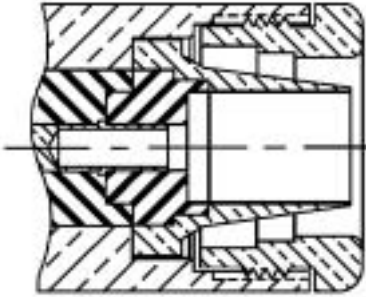
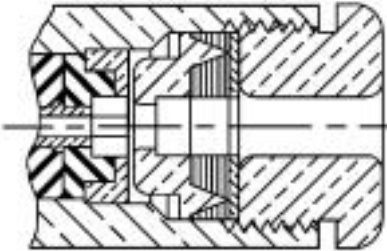
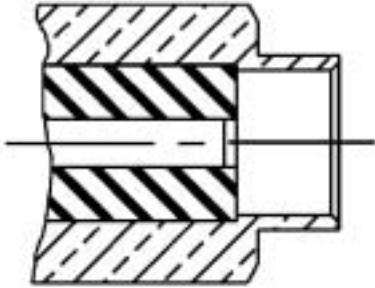
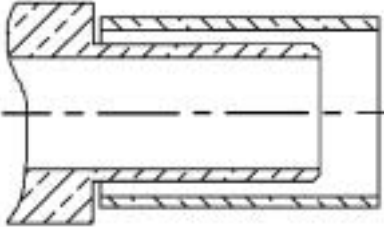
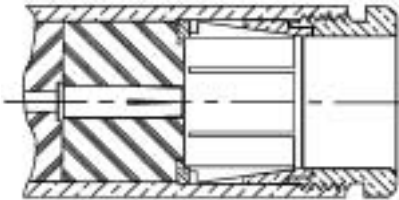
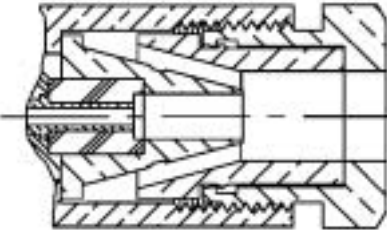
RF/Coaxial

Part Number Coding

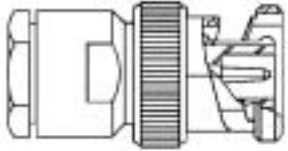
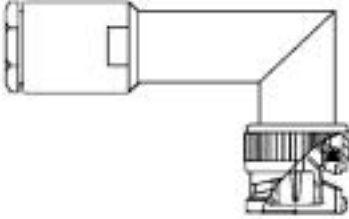
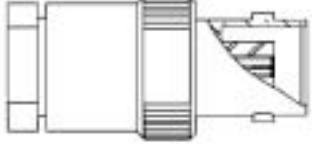
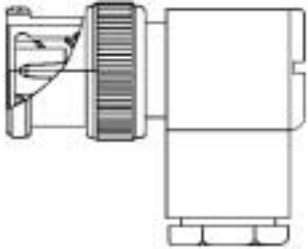
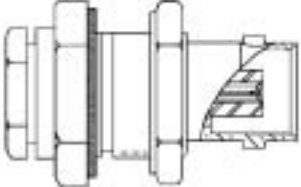
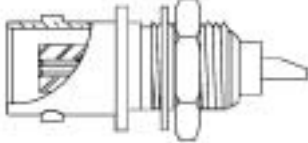
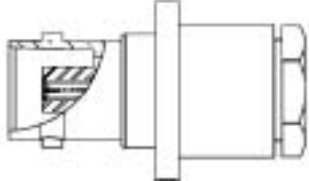
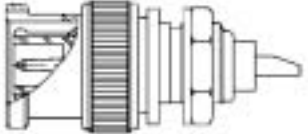
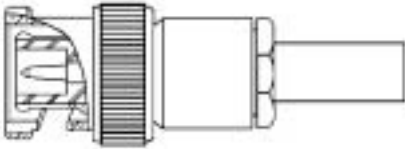
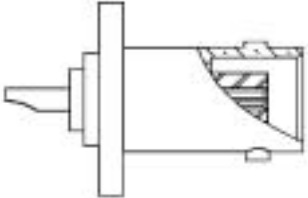
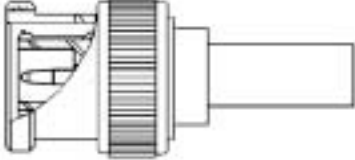
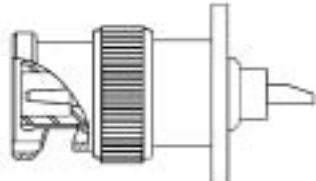


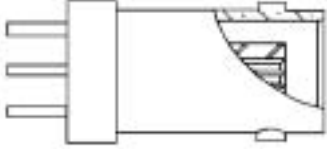
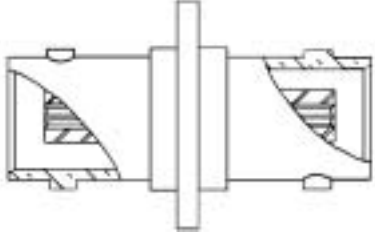
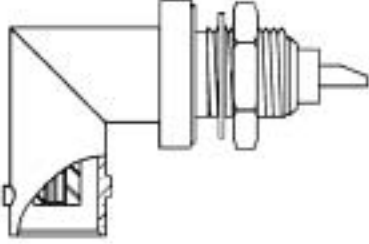
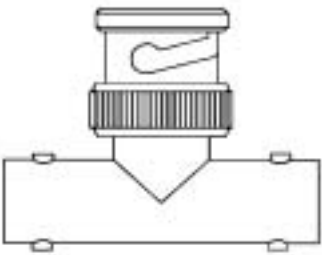
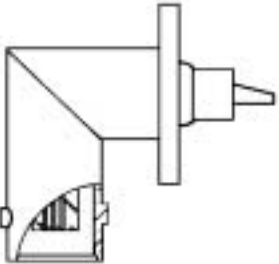
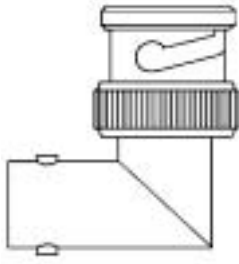
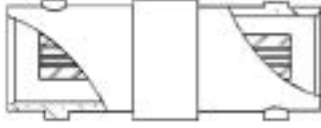
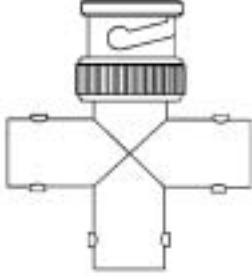
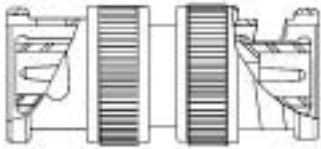
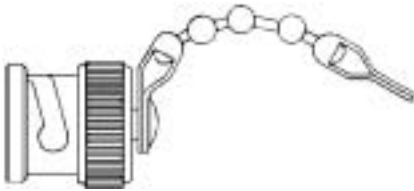
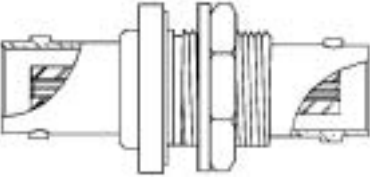
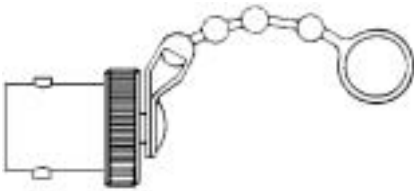
Series Code	Series Name	Page
24	TNC	30-46
25	N 50 Ohm	30-66
25	N 75 Ohm	30-80
28	BNC 50 Ohm	30-10
28	BNC 75 Ohm	30-28
30	BNC TRIAX	30-38
32	SMB 50 Ohm	30-102
32	SMB 75 Ohm	30-112
33	Specials	30-140
37	SMC	30-118
39	SMA	30-86
47	TNC TRIAX	30-60
59	MCX	30-128
69	MMCX	30-134

Style Code	Style Type
A	Adapter in series
AC	Adapter Cross
AR	Adapter Right-Angle
AS	Adapter Single Hole Mount
AT	Adapter Tee
J	Jack
JB	Junction Box
JC	Jack Cap and Chain
JF	Jack Flange Mount
JJ	Jack to Jack Adapter (Between Series Only)
JL	Jack Receptacle Flange Mount Strip Line
JP	Jack Plug Adapter (Between Series Only)
JR	Jack Receptacle
JS	Jack Single Hole Mount
P	Plug
PB	Plug Binding Post
PC	Plug Cap
PO	Plug Termination
PP	Plug to Plug Adapter (Between Series Only)
PR	Plug Receptacle
T	Termination Right-Angle
TS	Termination Straight

Cable Termination Styles	
<p>Straight Cut</p> 	<p>V Groove with Captive Contact</p> 
<p>Direct Solder for Semi-Rigid Cables</p> 	<p>Crimp</p> 
<p>Plug-In</p> 	<p>Improved Wedge Lock</p> 

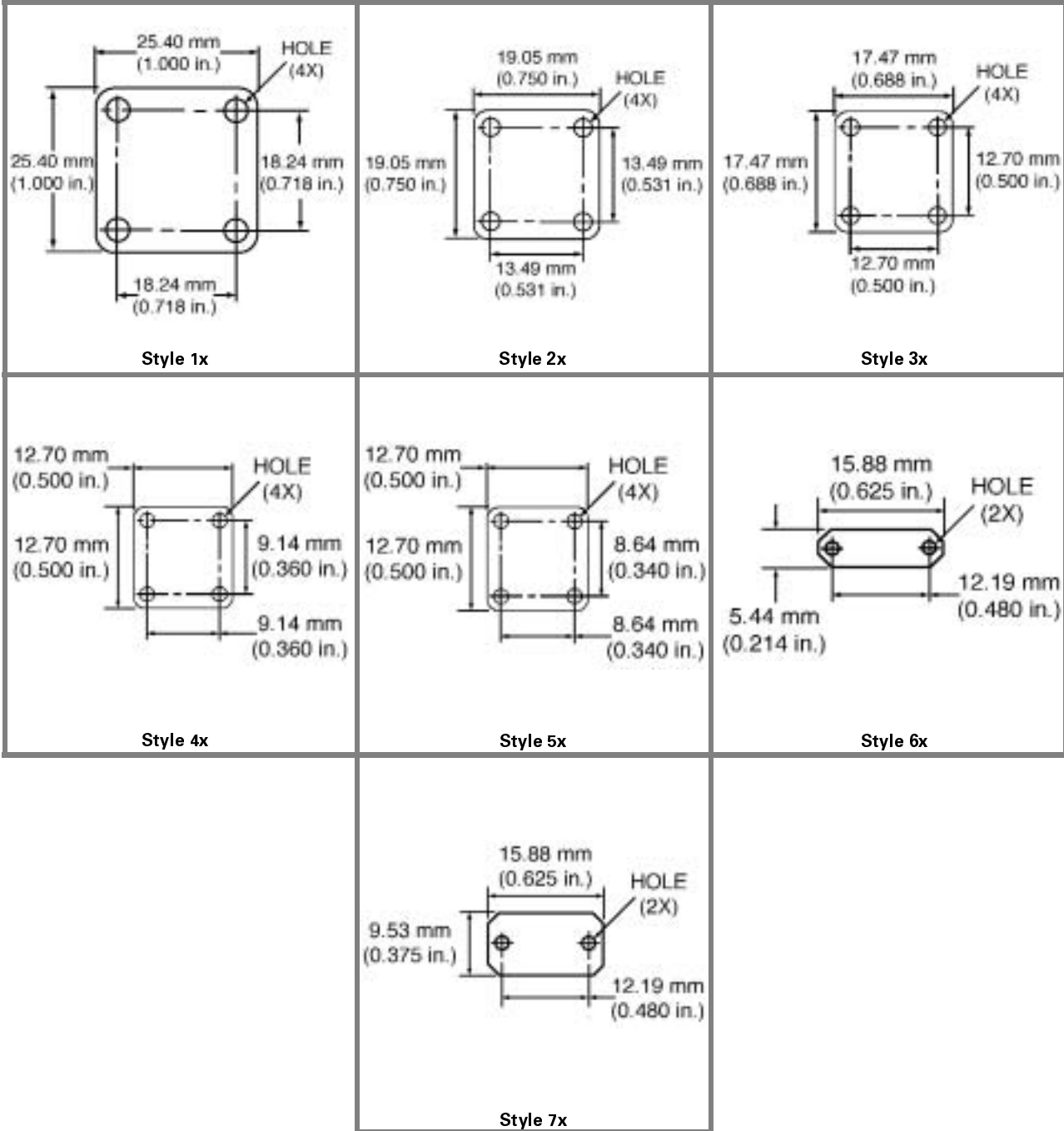
RF/Coaxial

Connector Nomenclature	
<p>Cable Plug</p> 	 <p>Cable Plug Right-Angle</p>
<p>Cable Jack</p> 	 <p>Cable Plug Right-Angle with Access Cap</p>
<p>Single Hole Mount Cable Jack</p> 	 <p>Single Hole Mount Jack Receptacle</p>
<p>Flange Mount Cable Jack</p> 	 <p>Single Hole Mount Plug Receptacle</p>
<p>Cable Plug Long Crimp</p> 	 <p>Flange Mount Jack Receptacle</p>
<p>Cable Plug Short Crimp</p> 	 <p>Flange Mount Plug Receptacle</p>

Connector Nomenclature (cont'd)	
<p>Printed Circuit Board Mount Jack Receptacle</p> 	 <p>Flange Mount Adapter Jack to Jack</p>
<p>Right-Angle Single Hole Mount Jack Receptacle</p> 	 <p>Tee Adapter</p>
<p>Right-Angle Flange Mount Jack Receptacle</p> 	 <p>Right-Angle Adapter</p>
<p>Straight Adapter Jack to Jack</p> 	 <p>Cross Adapter</p>
<p>Straight Adapter Plug to Plug</p> 	 <p>Plug Cap with Chain</p>
<p>Single Hole Mount Adapter Jack to Jack</p> 	 <p>Jack Cap with Chain</p>

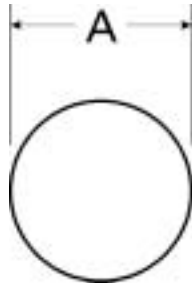
RF/Coaxial

Mounting Plate Information

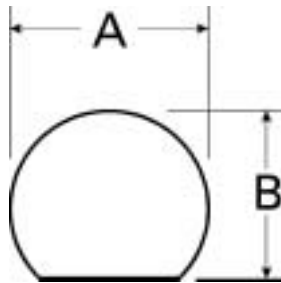


Style	Number of Holes (H)	Hole Diameter		Plate Thickness		
		mm	in.	mm	in.	
1A	4	3.18	0.125	2.03	0.080	
1B	4		6-32 Tap	2.03	0.080	
1C	4	3.96		0.156	2.03	0.080
2A	4	3.18		0.125	1.27	0.050
2B	4	3.45	0.136	1.27	0.050	
2C	4	3.18	0.125	1.27	0.050	
3A	4		5-56 Tap	2.29	0.090	
3B	4	3.18		0.125	2.29	0.090
3C	4	2.77		0.109	2.29	0.090
4A	4	2.26	0.089	1.65	0.065	
5A	4	2.59	0.102	1.65	0.065	
6A	2	2.59	0.102	1.65	0.065	
7A	2	2.59	0.102	1.57	0.062	

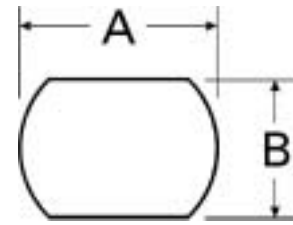
Mounting Hole Information



Style Cn



Style Dn

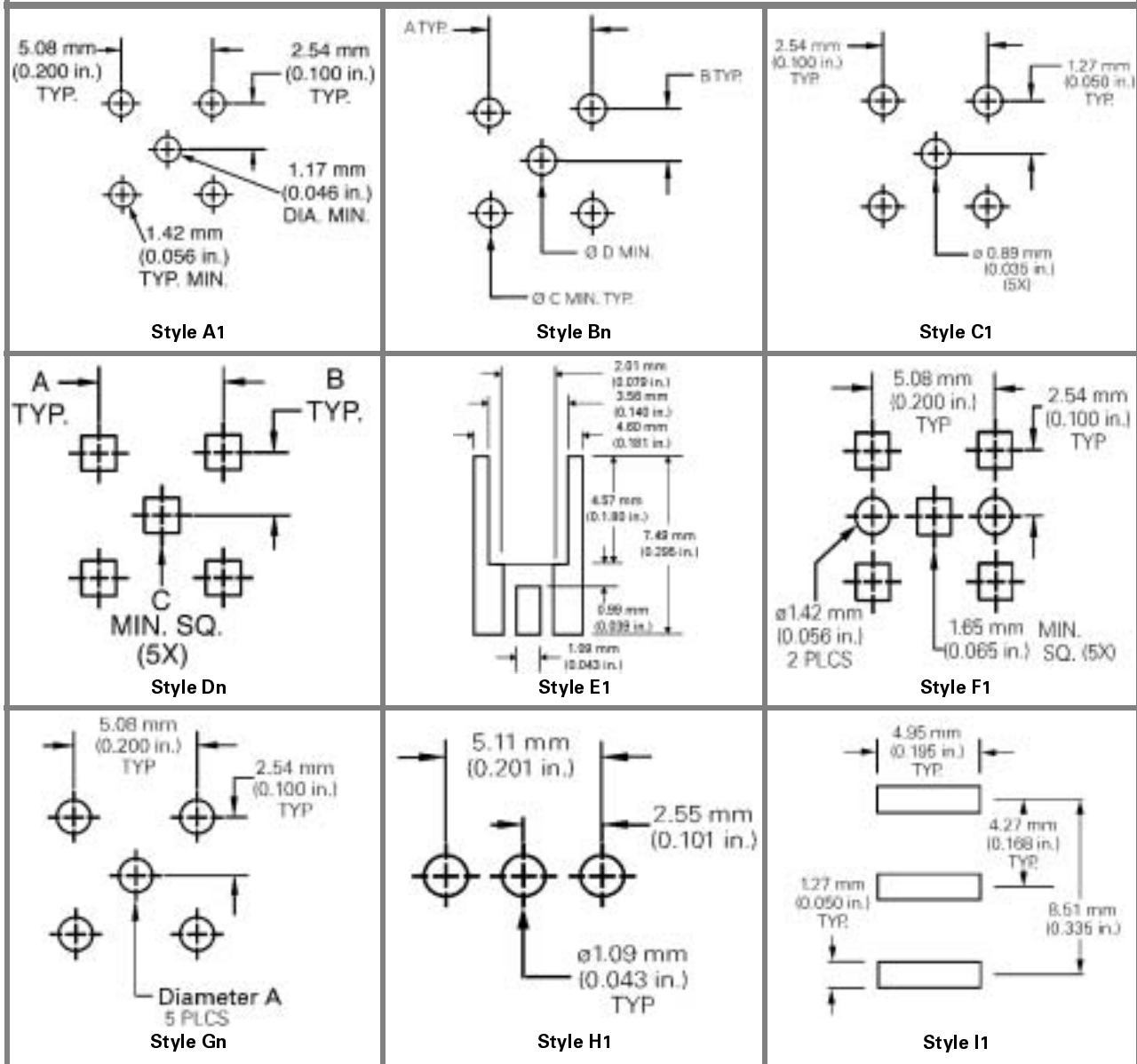


Style DDn

Style	Dimension			
	A		B	
	mm	in.	mm	in.
C1	11.23	0.442	N/A	
C2	9.65	0.380	N/A	
C3	8.05	0.317	N/A	
C4	7.52	0.296	N/A	
C5	3.96	0.156	N/A	
C6	4.32	0.170	N/A	
C7	6.32	0.249	N/A	
C8	6.38	0.251	N/A	
C9	12.83	0.505	N/A	
D1	20.75	0.817	19.91	0.784
D2	19.18	0.755	18.31	0.721
D3	16.00	0.630	15.11	0.595
D4	12.83	0.505	12.01	0.473
D5	11.23	0.442	10.44	0.411
D6	11.10	0.437	10.29	0.405
D7	10.29	0.405	9.17	0.361
D8	9.65	0.380	8.84	0.348
D9	8.05	0.317	7.24	0.285
D10	13.51	0.532	13.41	0.528
D11	14.02	0.552	13.41	0.528
D12	4.95	0.195	4.57	0.180
D13	7.14	0.281	6.73	0.265
D14	6.48	0.255	6.10	0.240
DD1	16.00	0.630	13.64	0.537
DD2	9.65	0.380	8.59	0.338
DD3	9.65	0.380	8.05	0.317
DD4	12.83	0.505	11.20	0.441

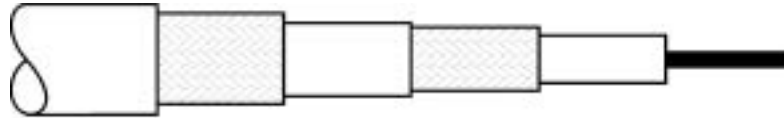
RF/Coaxial

Printed Circuit Board Layout



Printed Circuit Board Mounting Information

Style	Apply to Connector Types	Dimension							
		A		B		C		D	
		mm	in.	mm	in.	mm	in.	mm	in.
A1	SMA, SMB, MCX, SMC	See Diagram							
B1	BNC	12.70	0.500	6.35	0.250	1.17	0.046	1.17	0.046
B2	BNC	6.35	0.250	3.18	0.125	1.57	0.062	1.17	0.046
B3	BNC	6.35	0.250	3.18	0.125	2.44	0.096	1.17	0.046
B4	BNC	6.88	0.271	3.44	0.136	1.02	0.040	1.02	0.040
B5	BNC	6.55	0.258	3.28	0.129	2.44	0.096	0.71	0.028
B6	BNC	6.88	0.271	3.45	0.136	1.50	0.059	1.02	0.040
B7	BNC	6.55	0.258	3.28	0.129	2.44	0.096	1.17	0.046
B8	BNC	6.88	0.271	3.45	0.136	1.02	0.040		N/A
C1	MMCX	See Diagram							
D1	MCX, SMB	5.08	0.200	2.54	0.100	1.65	0.065		N/A
D2	MCX, SMB	5.08	0.200	2.54	0.100	1.27	0.050		N/A
E1	MMCX end launch	See Diagram							
F1	MCX	See Diagram							
G1	MCX	0.71	0.028	N/A		N/A		N/A	
G2	SMA	1.02	0.040	N/A		N/A		N/A	
H1	MCX	See Diagram							
I1	SMA end launch	See Diagram							



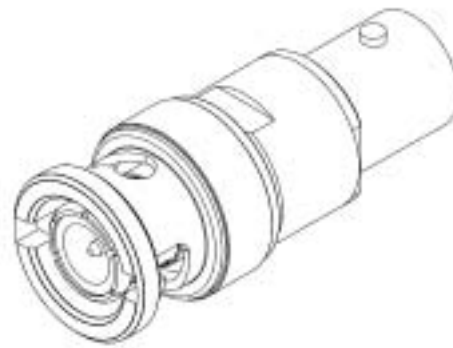
Cable Data

Military Number	Outer Jacket	Outer Braid	Inner Jacket	Inner Braid	Dielectric	Center Conductor	Notes
RG-6A/U MIL-C-17/2	0.332	0.264 max.			0.185 max.	0.0285	75 Ohm - Double Braid
RG-8A/U	0.405	0.340			0.285	0.089	50 Ohm
RG-9A/U	0.420	0.360			0.280	0.085	51 Ohm - Double Braid
RG-9B/U	0.425	0.360			0.285	0.089	50 Ohm - Double Braid
RG-11A/U MIL-C-17/6	0.405	0.340 max.			0.285	0.0477	75 Ohm
RG-55A/U	0.216	0.176			0.116	0.035	50 Ohm
RG-58C/U MIL-C-17/28	0.195	0.150 max.			0.116	0.0355	50 Ohm
RG-59B/U MIL-C-17/29	0.242	0.191 max.			0.146	0.023	75 Ohm
RG-62A/U MIL-C-17/30	0.242	0.191 max.			0.146	0.0253	93 Ohm - Hollow Dielectric
RG-63B/U MIL-C-17/31	0.405	0.340 max.			0.285	0.0253	125 Ohm-Hollow Dielectric
RG-65A/U MIL-C-17/34	0.405	0.340 max.			0.285	0.128	950 Ohm
RG-71B/U MIL-C-17/90	0.250 max.	0.208 max.			0.146	0.0253	93 Ohm - Hollow Dielectric
RG-108A/U MIL-C-17/45	0.235	0.177			0.079(2)	0.0378(2)	78 Ohm - Twin
RG-114A/U MIL-C-17/47	0.405	0.340 max.			0.285	0.007	185 Ohm-Hollow Dielectric
RG-115A/U MIL-C-17/92	0.415	0.325 max.			0.255	0.084	50 Ohm
RG-119/U MIL-C-17/52	0.485	0.414 max.			0.332	0.102	50 Ohm
RG-122/U MIL-C-17/54	0.160	0.126 max.			0.096	0.0308	50 Ohm
RG-130/U MIL-C-17/56	0.625	0.540 max.	0.472		0.188(2)	0.0855(2)	95 Ohm - Twin
RG-133A/U MIL-C-17/100	0.405	0.340 max.			0.285	0.0254	95 Ohm
RG-142B/U MIL-C-17/60	0.195	0.171 max.			0.116	0.037	50 Ohm
RG-144/U MIL-C-17/62	0.410	0.525 max.			0.285	0.0537	75 Ohm
RG-156/U MIL-C-17/101	0.540	0.330 max.	0.413 max.	0.373 max.	0.285	0.0855	50 Ohm
RG-157/U MIL-C-17/102	0.725	0.448 max.	0.580 max.	0.540 max.	0.455	0.101	50 Ohm
RG-158/U MIL-C-17/103	0.725	0.615 max.	0.580 max.	0.540 max.	0.455	0.199	25 Ohm
RG-164/U MIL-C-17/64	0.870	0.615 max.			0.680	0.1045	75 Ohm
RG-165/U MIL-C-17/65	0.410	0.760 max.			0.285	0.094	50 Ohm
RG-166/U MIL-C-17/66		0.470 max.	0.410	0.340 max.	0.285	0.094	50 Ohm - Armored
RG-174/U MIL-C-17/119	0.110	0.088 max.			0.060	0.0189	50 Ohm
RG-177/ MIL-C-17/67	0.895	0.760 max.			0.680	0.195	50 Ohm
RG-178B/U MIL-C-17/93	0.071	0.054 max.			0.033	0.012	50 Ohm
RG-179B/U MIL-C-17/94	0.100	0.084 max.			0.063	0.012	75 Ohm
RG-180B/U MIL-C-17/95	0.141	0.124 max.			0.102	0.012	95 Ohm
RG-188/U	0.110	0.081			0.060	0.02	50 Ohm
RG-195/U	0.155	0.124			0.102	0.012	95 Ohm
RG-196/U	0.08	0.054			0.034	0.012	50 Ohm
RG-210/U MIL-C-17/97	0.242	0.191 max.			0.146	0.0253	93 Ohm - Hollow Dielectric
RG-211A/U MIL-C-17/72	0.730	0.670 max.			0.620	0.192	50 Ohm
RG-212/U MIL-C-17/73	0.332	0.265 max.			0.185	0.0556	50 Ohm
RG-213/U MIL-C-17/74	0.405	0.340 max.			0.285	0.0888	50 Ohm
RG-214/U MIL-C-17/75	0.425	0.360 max.			0.285	0.0888	50 Ohm
RG-215/U MIL-C-17/76		0.475 max.	0.405	0.340 max.	0.285	0.089	50 Ohm - Armored
RG-216/U MIL-C-17/77	0.425	0.360 max.			0.285	0.0477	75 Ohm
RG-217/U MIL-C-17/78	0.545	0.463 max.			0.370	0.106	50 Ohm
RG-218/U MIL-C-17/79	0.870	0.760 max.			0.680	0.195	50 Ohm
RG-219/U MIL-C-17/80		0.945 max.	0.870	0.760 max.	0.680	0.195	50 Ohm - Armored
RG-223/U MIL-C-17/84	0.212	0.176 max.			0.116	0.035	50 Ohm
RG-225/U MIL-C-17/86	0.430	0.360 max.			0.285	0.0936	50 Ohm
RG-226/U MIL-C-17/87	0.500	0.440 max.			0.370	0.127	50 Ohm
RG-301/U MIL-C-17/109	0.245	0.215 max.			0.185	0.0609	50 Ohm
RG-302/U MIL-C-17/110	0.206 max.	0.176 max.			0.146	0.025	75 Ohm
RG-303/U MIL-C-17/111	0.170	0.146 max.			0.116	0.037	50 Ohm
RG-304/U MIL-C-17/112	0.280	0.250 max.			0.185	0.059	50 Ohm
RG-316/U MIL-C-17/113	0.098	0.081 max.			0.060	0.0201	50 Ohm
RG-391/U MIL-C-17/126	0.405	0.340 max.			0.295	0.048	72 Ohm
RG-393/U MIL-C-17/127	0.390	0.360 max.			0.285	0.094	50 Ohm
RG-400/U MIL-C-17/128	0.195	0.171 max.			0.116	0.0385	50 Ohm
RG-401/U MIL-C-17/129		0.250			0.210	0.0641	50 Ohm - Semi-Rigid
RG-402/U MIL-C-17/130		0.141			0.118	0.036	50 Ohm - Semi-Rigid
RG-404/U MIL-C-17/132	0.075 max.	0.056 max.			0.034	0.012	50 Ohm
RG-405/U MIL-C-17/133		0.086			0.066	0.0201	50 Ohm - Semi-Rigid
MIL-C-17/152	0.114	0.096 max.			0.060	0.020	50 Ohm

BNC Series

50 Ohms

Bayonet Locking



Features

- Miniature
- Weatherproof
- For applications below 4 GHz
- Made to MIL-C-39012

Options

- Small and Medium Sized Cables
- Straight, Right-Angle, Long Crimp, Short Crimp, Flange Mount, Single Hole Mount, Printed Circuit Board, Cap and Chain, Termination, Cross and Tee types available
- Adapters available

Specifications

- MIL-C-39012
- MIL-G-45204
- MIL-STD-348
- QQ-S-365
- MIL-STD-202
- ZZ-R-765
- QQ-C-530
- QQ-B-626

Mating Data

- RG-/U Cables (See page 30-9)

Technical Data

Materials

- Body Parts Brass, QQ-B-626, 1/2 HD.
- Contacts
 - ▶ Male Brass QQ-B-626, 1/2HD.
 - ▶ Female Beryllium copper QQ-C-530
- Insulators PTFE Fluorocarbon
- Gaskets Silicon Rubber ZZ-R-765

Plating

All parts plated to meet finish and corrosion requirements of MIL-C-39012

- Finish
 - ▶ Gold MIL-G-45204
 - ▶ Nickel IP23
 - ▶ Silver QQ-S-365
 - ▶ Tri-Alloy P20

Electrical Performance

- Impedance 50Ω nominal
- Frequency D.C. to 4 GHz
- Insulation Resistance 5,000 MΩ Minimum
- Voltage Rating 500 VRMS working Voltage
- Dielectric Withstanding 1,500 VRMS at sea level
- R.F. Leakage -55dB Minimum at 2 to 3 GHz

- R.F. High Potential Withstanding Voltage 1,000 VRMS at 5 to 7.5 MHz
- Voltage Standing Wave ratio (VSWR) .. 1.30 Max. to 4 GHz
- Insertion Loss 0.2 dB Maximum at 3 GHz
- Contact Resistance
 - ▶ Outer contact 0.2 mΩ Maximum
 - ▶ Center contact 1.5 mΩ Maximum

Mechanical Performance

- Force to Engage and Disengage
 - ▶ Longitudinal force 3 lbs Maximum
 - ▶ Torque 2 1/2 inch-lbs Maximum
- Coupling Nut Retention Force 100 lbs Minimum
- Connector Durability 500 cycles Minimum

Operating Environment

- Temperature range -65°C to +165°C
- Vibration MIL-STD-202, method 204, cond. D.
- Shock MIL-STD-202, method 213, cond. G
- Thermal shock MIL-STD-202, method 107, cond. B -65°C to +115°C
- Corrosion (salt spray) . MIL-STD-202, method 101, cond. B
- Moisture Resistance MIL-STD-202, method 106

Packaging

- Single Bag
- Custom packaging available upon request.

Customer Support Materials

Description

Customer Product Drawings By Part Number
 Product Substitutions Contact Technical Support

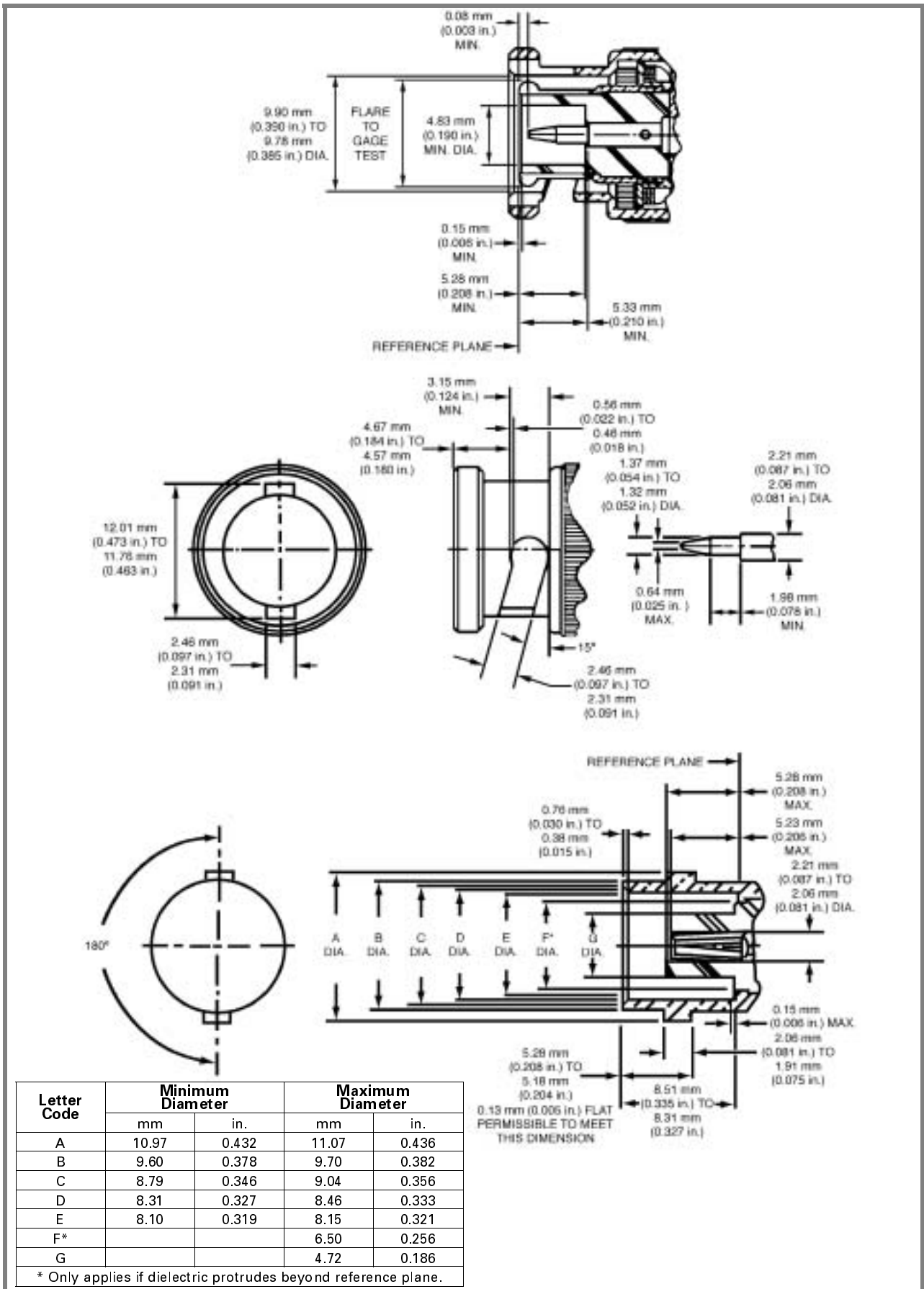
Order No.

Description

Product Samples Upon Request
 Test Data Upon Request

Order No.

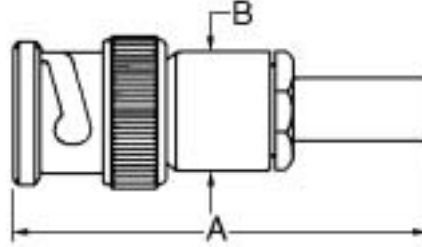
Interface Dimensions per MIL-STD-348



BNC 50 Ohm Cable Plugs

Description

BNC 50 Ohm Cable Plug Long Crimp Straight



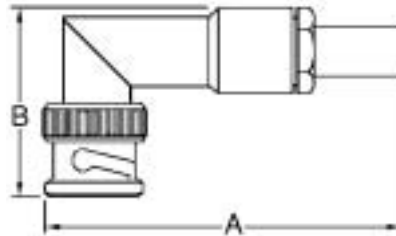
Ordering Data

BNC 50 Ohm Cable Plug Long Crimp Straight

Part Number	Cable RG-/U	Crimp Tool Hex		Dimension				Finish	Assembly Instructions
				A		B			
		mm	in.	mm	in.	mm	in.		
28P106-1	58, 141	5.41	0.213	38.10	1.500	11.11	0.438	Silver	AI-37
28P106-2	59, 62, 140	6.48	0.255	38.10	1.500	11.11	0.438	Silver	AI-37
28P106-3	55, 142, 223	5.41	0.213	38.10	1.500	11.11	0.438	Silver	AI-37
28P106-5	122, 180, 195	4.52	0.178	38.10	1.500	11.11	0.438	Silver	AI-37
28P106-7	178, 196	2.67	0.105	38.10	1.500	11.11	0.438	Nickel	AI-37
28P106-11	174, 179, 316	3.25	0.128	38.10	1.500	11.11	0.438	Silver	AI-37

Description

BNC 50 Ohm Cable Plug Long Crimp Right-Angle



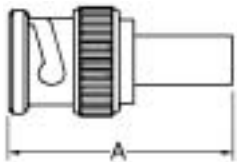
Ordering Data

BNC 50 Ohm Cable Plug Long Crimp Right-Angle

Part Number	Cable RG-/U	Crimp Tool Hex		Dimension				Finish	Assembly Instructions
				A		B			
		mm	in.	mm	in.	mm	in.		
28P149-1	58, 141	5.41	0.213	46.83	1.844	27.78	1.094	Silver	AI-37
28P149-2	59, 62, 140	6.48	0.255	46.84	1.844	27.79	1.094	Silver	AI-37
28P149-3	55, 142, 223	5.41	0.213	46.84	1.844	27.79	1.094	Silver	AI-37
28P149-5	122, 180, 195	4.52	0.178	46.84	1.844	27.79	1.094	Silver	AI-37
28P149-7	178, 196	2.67	0.105	46.84	1.844	27.79	1.094	Nickel	AI-37
28P149-10	174, 179, 316	3.25	0.128	46.84	1.844	27.79	1.094	Silver	AI-37

Description

BNC 50 Ohm Cable Plug - Short Crimp Straight



Ordering Data

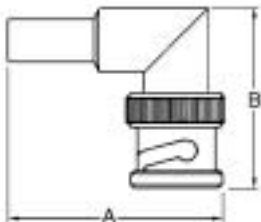
BNC 50 Ohm Cable Plug - Short Crimp Straight

Part Number	Cable RG-/U	Crimp Tool Hex		Dimension A		Finish	Assembly Instructions	Note
		mm	in.	mm	in.			
28P107-1	58, 141	5.41	0.213	29.77	1.172	Silver	AI-26	
28P107-2	59, 62, 140	6.48	0.255	29.77	1.172	Silver	AI-26	
28P107-3	55, 142, 223	5.41	0.213	29.77	1.172	Silver	AI-26	
28P107-5	122, 180, 195	4.52	0.178	29.77	1.172	Silver	AI-26	
28P184-1	174, 179, 316	4.52	0.178	29.77	1.172	Nickel	AI-125	
28P270-6	58, 303	5.41	0.213	28.58	1.125	Silver	AI-334	1
28P270-8	59	6.48	0.255	28.58	1.125	Silver	AI-334	1
28P270-10	55, 142, 223, 400	5.41	0.213	28.58	1.125	Silver	AI-110	1

Note 1 - Captive Contact

Description

BNC 50 Ohm Cable Plug - Short Crimp Right-Angle



Ordering Data

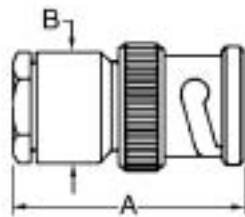
BNC 50 Ohm Cable Plug - Short Crimp Right-Angle

Part Number	Cable RG-/U	Crimp Tool Hex		Dimension				Finish	Assembly Instructions	Note
				A		B				
		mm	in.	mm	in.	mm	in.			
28P150-1	58, 141	5.41	0.213	38.89	1.531	26.19	1.031	Silver	AI-26	
28P150-2	59, 62, 140	6.48	0.255	38.89	1.531	26.19	1.031	Silver	AI-26	
28P150-3	55, 142, 223	5.41	0.213	38.89	1.531	26.19	1.031	Silver	AI-26	
28P150-5	122, 180, 195	4.52	0.178	38.89	1.531	26.19	1.031	Silver	AI-26	
28P271-5	59, 62, 210	6.48	0.255	42.07	1.656	26.19	1.031	Silver	AI-26	1
28P271-6	58, 303	5.41	0.213	42.06	1.656	26.19	1.031	Silver	AI-26	1
28P271-7	142, 223, 400	5.41	0.213	42.06	1.656	26.19	1.031	Silver	AI-26	1

Note 1 - Captive Contact

Description

BNC 50 Ohm Cable Plug - Straight Cut Straight



Ordering Data

BNC 50 Ohm Cable Plug - Straight Cut Straight

Part Number	Cable RG-/U	Dimension				Finish	Assembly Instructions	Note
		A		B				
		mm	in.	mm	in.			
28P102-1	58	26.99	1.063	12.70	0.500	Silver	AI-12	1
28P102-2	59	26.99	1.063	12.70	0.500	Silver	AI-12	2
28P102-3	174	26.99	1.063	12.70	0.500	Silver	AI-12	3
28P102-4	223	27.00	1.063	12.70	0.500	Silver	AI-12	
28P102-19	180, 195	27.00	1.063	12.70	0.500	Silver	AI-12	4
28P108-1	0.141 OD SR	26.59	1.047	12.70	0.500	Silver	AI-21	5
28P108-2	0.085 OD SR	26.59	1.047	12.70	0.500	Silver	AI-21	6
28P113-3	179	26.59	1.047	12.70	0.500	Silver	AI-14	
28P114-1	178, 196	26.59	1.047	12.70	0.500	Silver	AI-14	
28P154-1	58	26.99	1.063	12.70	0.500	Silver	AI-332	
28P225-1	178, 196	26.99	1.063	12.70	0.500	Silver	AI-55	
28P265-3	122	27.38	1.078	12.70	0.500	Silver	AI-20	
28P265-4	303	27.38	1.078	12.70	0.500	Silver	AI-20	
28P265-5	302	27.38	1.078	12.70	0.500	Silver	AI-20	

Note 1 - Also available in clamp cable termination for cable 58 as 28P109-1 or M39012 type as 28P265-1

Note 2 - Also available in clamp cable termination for cable 59 as 28P109-2 or M39012 type as 28P265-2

Note 3 - Also available in clamp cable termination for cable 174 as 28P113-1

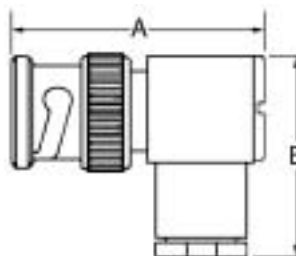
Note 4 - Also available in clamp cable termination for cable 180 & 195 as 28P113-2

Note 5 - Termination is plug-in clamp. Also available in solder on style as 28P206-1 or in solder on bushing as 28P254-1

Note 6 - Termination is plug-in clamp

Description

BNC 50 Ohm Cable Plug - Straight Cut Right-Angle

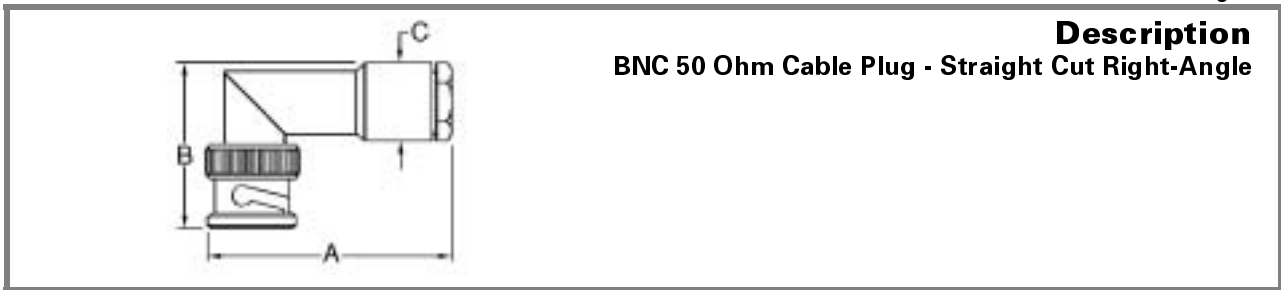


Ordering Data

BNC 50 Ohm Cable Plug - Straight Cut Right-Angle

Part Number	Cable RG-/U	Dimension				Finish	Assembly Instructions	Note
		A		B				
		mm	in.	mm	in.			
28P143-1	55, 58	30.16	1.188	23.81	0.938	Silver	AI-109	1
28P143-2	59, 62, 71	30.18	1.188	23.81	0.938	Silver	AI-109	1
28P143-4	187, 188	30.18	1.188	23.81	0.938	Silver	AI-109	1
28P234-1	180, 195	30.18	1.188	25.00	0.984	Nickel	AI-46	
28P234-2	59, 62, 71	30.18	1.188	25.00	0.984	Silver	AI-46	
28P242-1	58, 223	30.18	1.188	25.40	1.000	Silver	AI-333	

Note 1 - Clamp Cable Termination

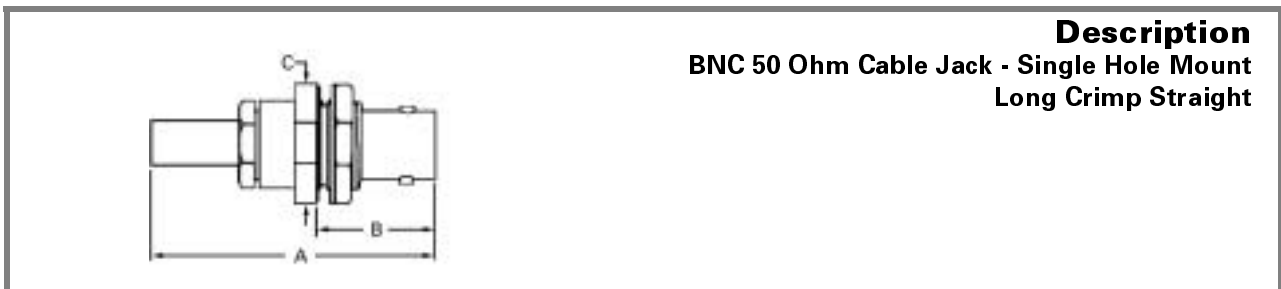


Description
BNC 50 Ohm Cable Plug - Straight Cut Right-Angle

Ordering Data
BNC 50 Ohm Cable Plug - Straight Cut Right-Angle

Part Number	Cable RG-/U	Dimension						Finish	Assembly Instructions	Note
		A		B		C				
		mm	in.	mm	in.	mm	in.			
28P132-1	58	39.70	1.563	27.79	1.094	12.70	0.500	Silver	AI-12	1
28P132-2	59	39.70	1.563	27.79	1.094	12.70	0.500	Silver	AI-12	
28P132-3	174	39.70	1.563	27.79	1.094	12.70	0.500	Silver	AI-12	
28P132-4	223	39.70	1.563	27.79	1.094	12.70	0.500	Silver	AI-12	

Note 1 - Also available in clamp cable termination for cable 59 & 62 & 71 as 28P100-3

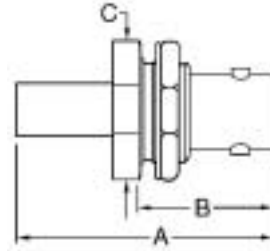


Description
BNC 50 Ohm Cable Jack - Single Hole Mount
Long Crimp Straight

Ordering Data
BNC 50 Ohm Cable Jack - Single Hole Mount Long Crimp Straight

Part Number	Cable RG-/U	Crimp Tool Hex		Dimension						Finish	Mtg. Hole	Assembly Instructions	Note
				A		B		C					
		mm	in.	mm	in.	mm	in.	mm	in.				
28JS105-1	58, 141	5.41	0.213	45.24	1.781	19.05	0.750	15.88	0.625	Silver	D4	AI-37	Isolated Ground
28JS105-2	59, 62, 140	6.48	0.255	45.24	1.781	19.05	0.750	15.88	0.625	Silver	D4	AI-37	Isolated Ground
28JS122-1	58, 141	5.41	0.213	38.10	1.500	17.07	0.672	17.46	0.688	Silver	D4	AI-37	
28JS122-2	59, 62, 140	6.48	0.255	38.10	1.500	17.07	0.672	17.46	0.688	Silver	D4	AI-37	
28JS122-3	187, 188, 316	3.25	0.128	38.10	1.500	17.07	0.672	17.46	0.688	Nickel	D4	AI-37	
28JS122-8	178, 196	2.67	0.105	38.10	1.500	17.07	0.672	17.46	0.688	Silver	D4	AI-37	
28JS152-1	187, 188	4.52	0.178	45.24	1.781	19.84	0.781	15.88	0.625	Nickel	D4	AI-37	

Description
BNC 50 Ohm Cable Jack -
Single Hole Mount Short Crimp Straight

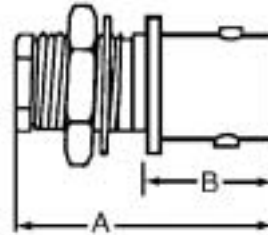


Ordering Data
BNC 50 Ohm Cable Jack - Single Hole Mount Short Crimp Straight

Part Number	Cable RG-/U	Crimp Tool Hex		Dimension						Finish	Mtg. Hole	Assembly Instructions	Note
				A		B		C					
		mm	in.	mm	in.	mm	in.	mm	in.				
28JS126-1	58, 141	5.41	0.213	33.34	1.313	17.07	0.672	17.46	0.688	Silver	D4	AI-26	
28JS126-2	59, 62, 140	6.48	0.255	33.34	1.313	17.07	0.672	17.46	0.688	Silver	D4	AI-26	
28JS126-3	55, 142, 223	5.41	0.213	33.34	1.313	17.07	0.672	17.46	0.688	Silver	D4	AI-26	
28JS126-6	122, 180, 195	4.52	0.178	33.34	1.313	17.07	0.672	17.46	0.688	Silver	D4	AI-26	
28JS198-1	58	5.41	0.213	34.93	1.375	20.64	0.813	17.46	0.688	Nickel	D4	AI-118	1
28JS198-2	59, 62, 210	6.48	0.255	34.93	1.375	20.64	0.813	17.46	0.688	Nickel	D4	AI-118	1
28JS198-3	180, 195	4.52	0.178	34.93	1.375	20.64	0.813	17.46	0.688	Nickel	D4	AI-118	1
28JS204-1	174, 188, 316	4.52	0.178	34.93	1.375	19.05	0.750	17.46	0.688	Nickel	D4	AI-126	1

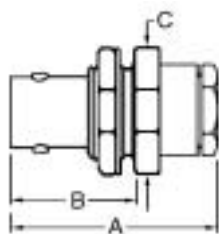
Note 1 - Crimp Captive Contact

Description
BNC 50 Ohm Cable Jack -
Single Hole Mount Solder Straight



Ordering Data
BNC 50 Ohm Cable Jack - Single Hole Mount Solder Straight

Part Number	Cable RG-/U	Dimension				Finish	Mtg. Hole	Assembly Instructions
		A		B				
		mm	in.	mm	in.			
28JS155-1	0.085 OD SR	23.02	0.906	14.29	0.563	Nickel	D8	AI-65
28JS155-2	0.141 OD SR	23.02	0.906	14.29	0.563	Nickel	D8	AI-65



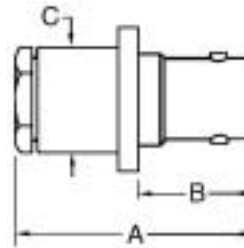
Description
**BNC 50 Ohm Cable Jack -
Single Hole Mount Straight Cut Straight**

Ordering Data
BNC 50 Ohm Cable Jack - Single Hole Mount Straight Cut Straight

Part Number	Cable RG-/U	Dimension						Finish	Mtg. Hole	Assembly Instructions	Note
		A		B		C					
		mm	in.	mm	in.	mm	in.				
28JS104-1	58	36.51	1.438	19.05	0.750	15.88	0.625	Silver	D4	AI-12	1
28JS104-2	59, 62	36.51	1.438	19.05	0.750	15.88	0.625	Silver	D4	AI-12	2
28JS104-3	174, 187, 188	36.51	1.438	19.05	0.750	15.88	0.625	Silver	D4	AI-12	3
28JS120-1	58	28.58	1.125	20.64	0.813	17.46	0.688	Silver	D4	AI-12	
28JS120-2	59	28.58	1.125	20.64	0.813	17.46	0.688	Silver	D4	AI-12	
28JS120-3	174, 188	28.58	1.125	20.64	0.813	17.46	0.688	Silver	D4	AI-12	
28JS120-4	223	28.58	1.125	20.64	0.813	17.46	0.688	Silver	D4	AI-12	
28JS120-9	302	28.58	1.125	20.64	0.813	17.46	0.688	Silver	D4	AI-12	
28JS120-12	178, 196	28.58	1.125	20.64	0.813	17.46	0.688	Nickel	D4	AI-12	
28JS129-4	180, 195	37.31	1.469	19.05	0.750	15.88	0.625	Silver	D4	AI-14	
28JS138-1	179	37.31	1.469	11.91	0.469	15.88	0.625	Silver	D4	AI-330	
28JS154-1	0.141 OD SR	28.58	1.125	20.64	0.813	17.46	0.688	Silver	D4	AI-14	4
28JS154-2	0.085 OD SR	28.58	1.125	20.64	0.813	17.46	0.688	Silver	D4	AI-14	4
28JS179-1	0.141 SR	28.58	1.125	17.07	0.672	4.37	0.172	Silver	D4	AI-331	5
28JS185-4	122	28.58	1.125	20.64	0.813	17.46	0.688	Silver	D4	AI-119	
28JS185-5	303	28.58	1.125	20.64	0.813	17.46	0.688	Silver	D4	AI-119	
28JS185-6	302	28.58	1.125	20.64	0.813	17.46	0.688	Silver	D4	AI-119	

Note 1 - Isolated Ground. Also available in clamp cable termination as 28JS129-1 or M39012 type as 28JS185-2.
 Note 2 - Isolated Ground. Also available in clamp cable termination as 28JS129-2 or M39012 type as 28JS185-3.
 Note 3 - Isolated Ground. Also available in clamp cable termination as 28JS129-3.
 Note 4 - Cable termination is plug-in/clamp.
 Note 5 - Cable termination is solder on bushing/clamp.

Description
BNC 50 Ohm Cable Jack -
Flange Mount Straight Cut Straight



Ordering Data
BNC 50 Ohm Cable Jack - Flange Mount Straight Cut Straight

Part Number	Cable RG-/U	Dimension						Finish	Mtg. Hole	Assembly Instructions	Note
		A		B		C					
		mm	in.	mm	in.	mm	in.				
28JF106-1	58	28.58	1.125	13.89	0.547	12.70	0.500	Silver	3A	AI-12	3
28JF106-2	59	28.58	1.125	13.89	0.547	12.70	0.500	Silver	3A	AI-12	2
28JF106-3	174, 188	28.58	1.125	13.89	0.547	12.70	0.500	Silver	3A	AI-12	
28JF106-4	223	28.58	1.125	13.89	0.547	12.70	0.500	Silver	3A	AI-12	
28JF113-1	0.141 OD SR	28.58	1.125	13.89	0.547	12.70	0.500	Silver	3A	AI-339	1
28JF113-2	0.085 OD SR	28.58	1.125	13.89	0.547	12.70	0.500	Silver	3A	AI-339	1
28JF114-3	122	28.58	1.125	13.89	0.547	12.70	0.500	Silver	3A	AI-119	4
28JF114-4	303	28.58	1.125	13.89	0.547	12.70	0.500	Silver	3A	AI-119	4
28JF114-5	302	28.58	1.125	13.89	0.547	12.70	0.500	Silver	3A	AI-119	4

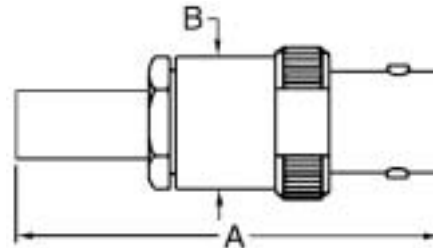
Note 1 - Termination is solder on bushing

Note 2 - Also available in clamp cable termination for cable 59 and M39012 type as 28JF114-1.

Note 3 - Also available in clamp cable termination for cable 58 and M39012 type as 28JF114-2.

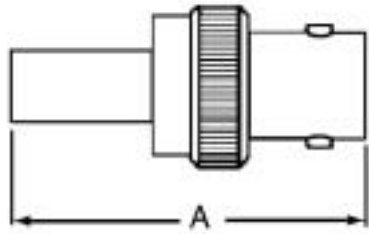
Note 4 - Clamp cable termination and M39012 type.

Description
BNC 50 Ohm Cable Jack - Long Crimp Straight



Ordering Data
BNC 50 Ohm Cable Jack - Long Crimp Straight

Part Number	Cable RG-/U	Crimp Tool Hex		Dimension				Finish	Assembly Instructions
		mm	in.	A		B			
				mm	in.	mm	in.		
28J106-1	58, 141	5.41	0.213	37.31	1.469	11.11	0.438	Silver	AI-37
28J106-2	59, 62, 140	6.48	0.255	37.31	1.469	11.11	0.438	Silver	AI-37
28J106-3	55, 142, 223	5.41	0.213	37.31	1.469	11.11	0.438	Silver	AI-37
28J106-4	71	6.81	0.268	37.31	1.469	11.11	0.438	Silver	AI-37
28J106-5	122, 180, 195	4.52	0.178	37.31	1.469	11.11	0.438	Silver	AI-37
28J106-8	178, 196	2.67	0.105	37.31	1.469	11.11	0.438	Nickel	AI-37

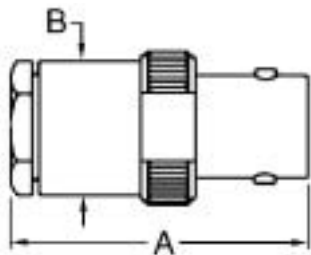


Description
BNC 50 Ohm Cable Jack - Short Crimp Straight

Ordering Data
BNC 50 Ohm Cable Jack - Short Crimp Straight

Part Number	Cable RG-/U	Crimp Tool Hex		Dimension A		Finish	Assembly Instructions	Note
		mm	in.	mm	in.			
28J107-1	58, 141	5.41	0.213	31.35	1.234	Silver	AI-26	
28J107-2	59, 62, 140	6.48	0.255	31.35	1.234	Silver	AI-26	
28J107-3	55, 142, 223	5.41	0.213	31.34	1.234	Silver	AI-26	
28J129-1	174	4.52	0.178	31.34	1.234	Nickel	AI-186	
28J163-2	142, 223, 400	5.41	0.213	30.16	1.188	Silver	AI-118	1
28J163-5	59, 62, 210	6.48	0.255	30.18	1.188	Silver	AI-118	1
28J163-6	58	5.41	0.213	30.18	1.188	Silver	AI-118	1

Note 1 - Crimp Captive Contact



Description
BNC 50 Ohm Cable Jack - Straight Cut Straight

Ordering Data
BNC 50 Ohm Cable Jack - Straight Cut Straight

Part Number	Cable RG-/U	Dimension				Finish	Assembly Instructions	Note
		A		B				
		mm	in.	mm	in.			
28J112-1	58	28.58	1.125	12.70	0.500	Silver	AI-14	1
28J112-2	59	28.58	1.125	12.70	0.500	Silver	AI-14	2
28J112-3	223	28.58	1.125	12.70	0.500	Silver	AI-14	
28J112-4	174, 316	28.58	1.125	12.70	0.500	Silver	AI-14	
28J112-7	180, 195	28.58	1.125	12.70	0.500	Silver	AI-14	
28J112-9	303	28.58	1.125	12.70	0.500	Silver	AI-14	3
28J150-1	178, 196	28.58	1.125	12.70	0.500	Silver	AI-56	
28J161-3	122	28.58	1.125	12.70	0.500	Silver	AI-14	4
28J161-4	303	28.58	1.125	12.70	0.500	Silver	AI-14	
28J161-5	302	28.58	1.125	12.70	0.500	Silver	AI-14	4

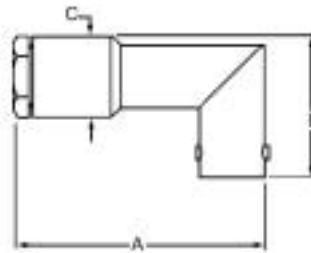
Note 1 - Also available in clamp cable termination for cable 58 and M39012 type as 28J161-1.

Note 2 - Also available in clamp cable termination for cable 59 and M39012 type as 28J161-2

Note 3 - Also available in clamp cable termination for cable 303 and M39012 type as 28J161-4

Note 4 - Clamp cable termination and M39012 type.

Description
BNC 50 Ohm Cable Jack - Straight Cut Right-Angle

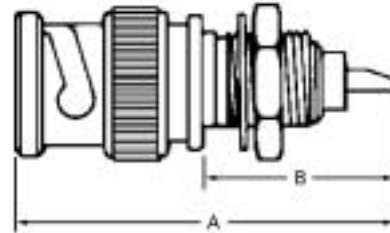


Ordering Data
BNC 50 Ohm Cable Jack - Straight Cut Right-Angle

Part Number	Cable RG-/U	Dimension						Finish	Assembly Instructions
		A		B		C			
		mm	in.	mm	in.	mm	in.		
28J128-1	58	42.07	1.656	21.83	0.859	12.70	0.500	Silver	AI-12

BNC 50 Ohm Receptacles

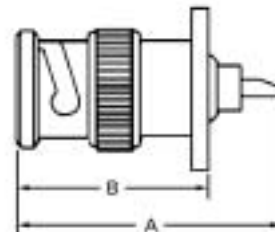
Description
BNC 50 Ohm Receptacle Plug - Single Hole Mount Solder Straight



Ordering Data
BNC 50 Ohm Receptacle Plug - Single Hole Mount Solder Straight


Part Number	Mounting Hole	Dimension				Finish
		A		B		
		mm	in.	mm	in.	
28PR107-1	D8	31.75	1.250	15.08	0.594	Silver
28PR123-1	D4	31.75	1.250	14.29	0.563	Silver

Description
BNC 50 Ohm Receptacle Plug - Flange Mount Solder Straight



Ordering Data
BNC 50 Ohm Receptacle Plug - Flange Mount Solder Straight

Part Number	Mounting Plate	Dimension				Finish
		A		B		
		mm	in.	mm	in.	
28PR103-2	2B	30.16	1.188	21.43	0.844	Silver
28PR105-1	1A	30.18	1.188	21.44	0.844	Silver

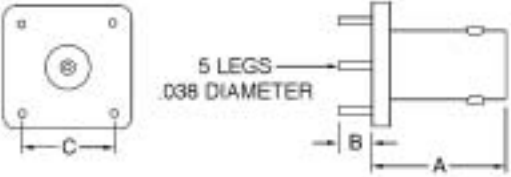


Description
BNC 50 Ohm Receptacle Jack -
Printed Circuit Board Straight
Square Leg Version Shown

Ordering Data
BNC 50 Ohm Receptacle Jack - Printed Circuit Board Straight

Part Number	Dimension						Finish	Mtg. PCB	Note
	A		B		C				
	mm	in.	mm	in.	mm	in.			
28JR299-3	17.86	0.703	4.80	0.189	6.35	0.250	Nickel	B2	1
28JR536-1	16.00	0.630	4.29	0.169	6.88	0.271	Nickel	B4	2

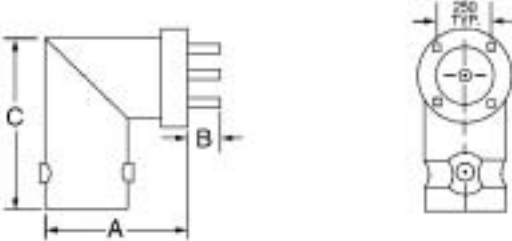
Note 1 - 4 legs 1.02 mm (0.040 in.) square
Note 2 - Compliant Pin Termination



Description
BNC 50 Ohm Receptacle Jack -
Printed Circuit Board Straight

Ordering Data
BNC 50 Ohm Receptacle Jack - Printed Circuit Board Straight

Part Number	Dimension						Finish	Mtg. PCB
	A		B		C			
	mm	in.	mm	in.	mm	in.		
28JR198-1	17.86	0.703	4.80	0.189	12.70	0.500	Silver	B1
28JR198-2	16.67	0.656	3.18	0.125	12.70	0.500	Silver	B1



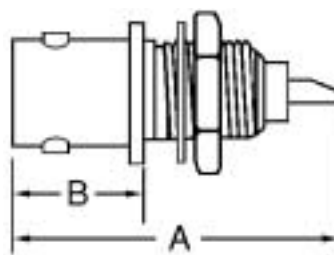
Description
BNC 50 Ohm Receptacle Jack -
Printed Circuit Board Right-Angle

Ordering Data
BNC 50 Ohm Receptacle Jack - Printed Circuit Board Right-Angle

Part Number	Dimension						Finish	Mtg. PCB	Note
	A		B		C				
	mm	in.	mm	in.	mm	in.			
28JR330-1	15.48	0.609	4.80	0.189	20.24	0.797	Nickel	B2	3
28JR342-1	10.97	0.432	3.33	0.131	27.43	1.080	Nickel	B7	1
28JR396-1	10.97	0.432	3.33	0.131	27.43	1.080	Nickel	B7	1 & 2

Note 1 - 1.27 mm (0.050 in.) square PCB legs
Note 2 - Zinc Body
Note 3 - 1.02 mm (0.040 in.) square PCB legs

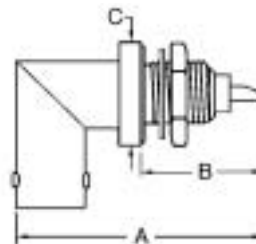
Description
BNC 50 Ohm Receptacle Jack -
Single Hole Mount Solder Straight



Ordering Data
BNC 50 Ohm Receptacle Jack - Single Hole Mount Solder Straight

Part Number	Dimension				Finish	Mtg. Hole	Note
	A		B				
	mm	in.	mm	in.			
28JR103-2	26.99	1.063	11.91	0.469	Silver	D4	
28JR106-1	26.99	1.063	12.30	0.484	Silver	D4	Isolated Ground
28JR115-1	26.99	1.063	19.05	0.750	Silver	D4	Isolated Ground Reverse Mount
28JR126-1	32.94	1.297	15.08	0.594	Silver	DD2	
28JR205-1	26.99	1.063	11.91	0.469	Nickel	DD4	
28JR281-1	30.16	1.188	11.91	0.469	Silver	D8	M39012 Type
28JR284-1	26.99	1.063	19.84	0.781	Nickel	D4	Reverse Mount
28JR333-1	26.99	1.063	12.30	0.484	Silver	D5	M39012 Type
28JR333-2	30.16	1.188	12.30	0.484	Silver	D5	M39012 Type

Description
BNC 50 Ohm Receptacle Jack -
Single Hole Mount Solder Right-Angle



Ordering Data
BNC 50 Ohm Receptacle Jack - Single Hole Mount Solder Right-Angle

Part Number	Dimension						Finish	Mtg. Hole
	A		B		C			
	mm	in.	mm	in.	mm	in.		
28JR101-1	34.13	1.344	19.05	0.750	15.08	0.594	Silver	D7
28JR137-1	30.96	1.219	15.88	0.625	15.08	0.594	Silver	D6



Description
BNC 50 Ohm Receptacle Jack -
Flange Mount Solder Straight

Ordering Data BNC 50 Ohm Receptacle Jack - Flange Mount Solder Straight							
Part Number	Dimension				Finish	Mtg. Plate	Note
	A		B				
	mm	in.	mm	in.			
28JR143-1	26.99	1.063	15.88	0.625	Silver	1A	M39012 Type
28JR227-1	26.99	1.063	15.88	0.625	Silver	3A	
28JR255-1	26.99	1.063	15.88	0.625	Silver	3B	
28JR312-2	26.99	1.063	15.88	0.625	Nickel	2B	



Ordering Data
BNC 50 Ohm Receptacle Jack -
Flange Mount Solder Right-Angle

Description BNC 50 Ohm Receptacle Jack - Flange Mount Solder Right-Angle								
Part Number	Dimension						Finish	Mtg. Hole
	A		B		C			
	mm	in.	mm	in.	mm	in.		
28JR104-1	23.02	0.906	23.02	0.906	7.54	0.297	Silver	2B

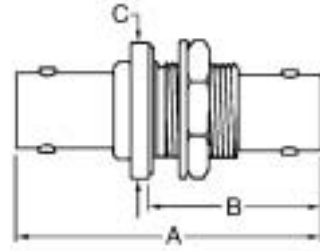
BNC 50 Ohm Adapters



Description
BNC 50 Ohm Adapter - Straight

Ordering Data BNC 50 Ohm Adapter - Straight				
Part Number	Adapter Ends	Dimension A		Finish
		mm	in.	
28A101-1	Plug-Plug	31.35	1.234	Silver

Description
BNC 50 Ohm Adapter - Single Hole Mount Straight

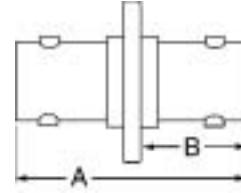


Ordering Data
BNC 50 Ohm Adapter - Single Hole Mount Straight

Part Number	Adapter Ends	Dimension						Finish	Mtg. Hole	Note
		A		B		C				
		mm	in.	mm	in.	mm	in.			
28AS100-1	Jack-Jack	32.54	1.281	20.24	0.797	15.88	0.625	Silver	D4	1
28AS103-1	Jack-Jack	32.54	1.281	19.45	0.766	17.46	0.688	Silver	D4	

Note 1 - Isolated Ground

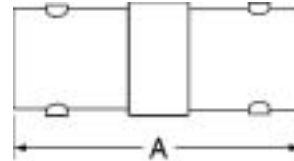
Description
BNC 50 Ohm Adapter - Flange Mount Straight



Ordering Data
BNC 50 Ohm Adapter - Flange Mount Straight

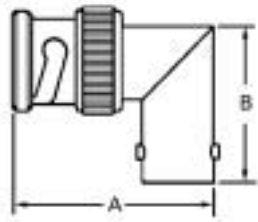
Part Number	Dimension				Finish	Mtg. Plate
	A		B			
	mm	in.	mm	in.		
28AF100-1	32.54	1.281	15.08	0.594	Silver	3A

Description
BNC 50 Ohm Adapter - Straight



Ordering Data
BNC 50 Ohm Adapter - Straight

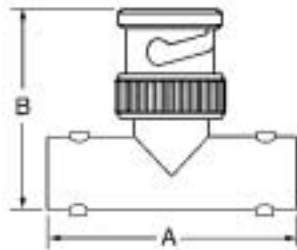
Part Number	Adapter Ends	Dimension A		Finish
		mm	in.	
28A100-1	Jack-Jack	32.54	1.281	Silver



Description
BNC 50 Ohm Adapter - Right-Angle

Ordering Data
BNC 50 Ohm Adapter - Right-Angle

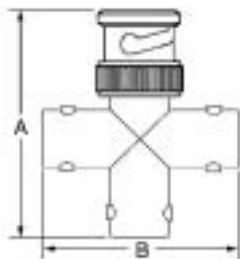
Part Number	Adapter Ends	Dimension				Finish
		A		B		
		mm	in.	mm	in.	
28AR100-1	Plug-Jack	26.19	1.031	20.24	0.797	Silver



Description
BNC 50 Ohm Adapter - Tee

Ordering Data
BNC 50 Ohm Adapter - Tee

Part Number	Adapter Ends	Dimension				Finish
		A		B		
		mm	in.	mm	in.	
28AT100-1	Jack-Jack-Jack	32.54	1.281	22.62	0.891	Silver
28AT106-1	Jack-Jack-Plug	37.70	1.484	22.62	0.891	Silver
28AT116-1	Plug-Jack-Plug	46.04	1.813	25.00	0.984	Nickel
28AT117-1	Plug-Plug-Plug	46.04	1.813	30.96	1.219	Silver



Description
BNC 50 Ohm Adapter - Cross

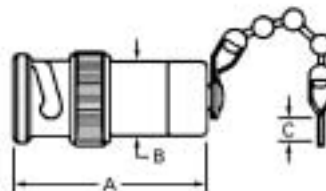
Ordering Data
BNC 50 Ohm Adapter - Cross

Part Number	Dimension				Finish
	A		B		
	mm	in.	mm	in.	
28AC100-1	39.29	1.547	32.54	1.281	Silver

BNC 50 Ohm Termination

Description

BNC 50 Ohm Termination Plug - Straight



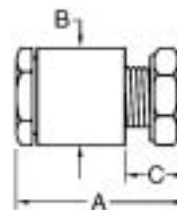
Ordering Data

BNC 50 Ohm Termination Plug - Straight

Part Number	Resistor ±5%		Dimension						Finish	Chain Length	
			A		B		C				
	Ohm	Watt	mm	in.	mm	in.	mm	in.		mm	in.
28PO100-1	100	0.5	30.16	1.188	12.70	0.500	3.66	0.144	Silver	88.90	3.500
28PO100-2	51	0.5	30.18	1.188	12.70	0.500	3.66	0.144	Silver	88.90	3.500
28PO100-3	75	0.5	30.18	1.188	12.70	0.500	3.66	0.144	Silver	88.90	3.500
28PO100-4	91	0.5	30.18	1.188	12.70	0.500	3.66	0.144	Silver	88.90	3.500
28PO100-5	510	0.5	30.18	1.188	12.70	0.500	3.66	0.144	Silver	88.90	3.500
28PO100-6	1000	0.5	30.18	1.188	12.70	0.500	3.66	0.144	Silver	88.90	3.500
28PO100-7	150	0.5	30.18	1.188	12.70	0.500	3.66	0.144	Silver	88.90	3.500
28PO100-8	51	1.0	30.18	1.188	12.70	0.500	3.66	0.144	Silver	88.90	3.500
28PO101-2	51	0.5	28.58	1.125	11.11	0.438	3.66	0.144	Silver	88.90	3.500
28PO101-3	75	0.5	28.58	1.125	11.11	0.438	3.66	0.144	Silver	88.90	3.500
28PO101-4	91	0.5	28.58	1.125	11.11	0.438	3.66	0.144	Silver	88.90	3.500
28PO102-1	51	0.5	28.58	1.125	11.11	0.438	No Chain		Nickel	N/A	
28PO102-4	100	0.5	28.58	1.125	11.11	0.438	No Chain		Silver	N/A	
28PO107-1	51	2.0	38.50	1.516	14.29	0.563	3.66	0.144	Nickel	88.90	3.500

Description

BNC 50 Ohm Termination Plug -
Single Hole Mount Straight



Ordering Data

BNC 50 Ohm Termination Plug - Single Hole Mount Straight

Part Number	Cable RG-/U	Dimension						Finish	Mtg. Hole
		A		B		C			
		mm	in.	mm	in.	mm	in.		
28TS102-1	55, 58, 223	22.23	0.875	12.70	0.500	7.94	0.313	Silver	C3
28TS105-1	59, 62, 71	22.23	0.875	12.70	0.500	7.94	0.313	Silver	C3

BNC 50 Ohm Caps



Description
BNC 50 Ohm Cap Plug - Straight

Ordering Data BNC 50 Ohm Cap Plug - Straight

Part Number	Dimension				Finish	Chain Length	
	A		B			mm	in.
	mm	in.	mm	in.			
28PC104-3	17.46	0.688	Shorting Cap - No Chain		Silver	N/A	
28PC106-3	15.08	0.594	3.66	0.144	Silver	88.90	3.500
28PC108-1	15.08	0.594	3.66	0.144	Nickel	76.20	3.000
28PC110-1	15.08	0.594	12.01	0.473	Nickel	63.50	2.500
28PC110-2	15.08	0.594	12.83	0.505	Nickel	63.50	2.500



Description
BNC 50 Ohm Cap Jack - Straight

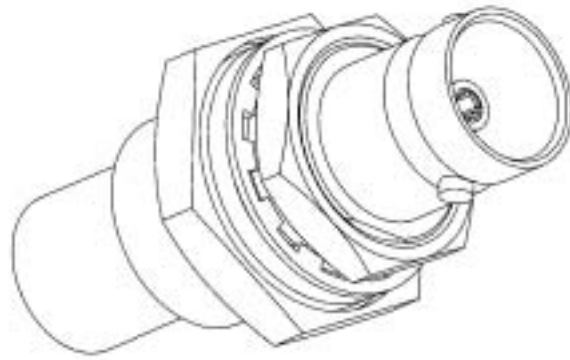
Ordering Data BNC 50 Ohm Cap Jack - Straight

Part Number	Dimension				Finish	Chain Length	
	A		B			mm	in.
	mm	in.	mm	in.			
28JC100-2	14.68	0.578	3.66	0.144	Silver	76.20	3.000
28JC101-1	16.67	0.656	Shorting Cap - No Chain		Nickel	N/A	

BNC Series

75 Ohms

Bayonet Locking



Features

- Miniature
- Weatherproof
- For applications below 2 GHz

Options

- Small and Medium Sized Cables
- Straight, Right-Angle, Long Crimp, Short Crimp, Flange Mount, Single Hole Mount, Printed Circuit Board, Cap and Chain, Termination and Tee types available
- Adapters available

Specifications

- QQ-B-626
- MIL-STD-348
- MIL-STD-202
- MIL-G-45204
- QQ-S-365
- ZZ-R-765

Mating Data

- RG-/U Cables (See page 30-9)

Technical Data

Materials

- Body Parts Brass, QQ-B-626, 1/2 HD.
- Contacts
 - ▶ Male Brass QQ-B-626, 1/2 HD.
 - ▶ Female Beryllium copper QQ-C-530 Heat treated to condition HT
- Insulators PTFE Fluorocarbon
- Gaskets Rubber ZZ-R-765

Plating

All parts plated to meet finish and corrosion requirements of MIL-C-39012

- Finish
 - ▶ Gold MIL-G-45204
 - ▶ Nickel IP23
 - ▶ Silver QQ-S-365
 - ▶ Tri-Alloy P20

Electrical Performance

- Impedance 75Ω nominal
- Frequency Range 0 to 2 GHz

- Insulation Resistance 5,000 MΩ Minimum
- Voltage Rating 500 VRMS working Voltage
- Dielectric Withstanding 1,500 VRMS at sea level
- Voltage Standing Wave ratio (VSWR) .. 1.17 Max to 2 GHz
- Contact Resistance
 - ▶ Outer contact 0.2 mΩ maximum
 - ▶ Center contact 1.5 mΩ maximum

Mechanical Performance

- Force to Engage and Disengage
 - ▶ Longitudinal force 3 lbs Maximum
 - ▶ Torque 2 1/2 inch-lbs Maximum
- Coupling Nut Retention Force 100 lbs minimum
- Connector Durability 500 cycles minimum

Operating Environment

- Temperature range -65°C to +165°C
- Corrosion (salt spray) . MIL-STD-202, method 101, cond. B
- Moisture Resistance MIL-STD-202, method 106

Packaging

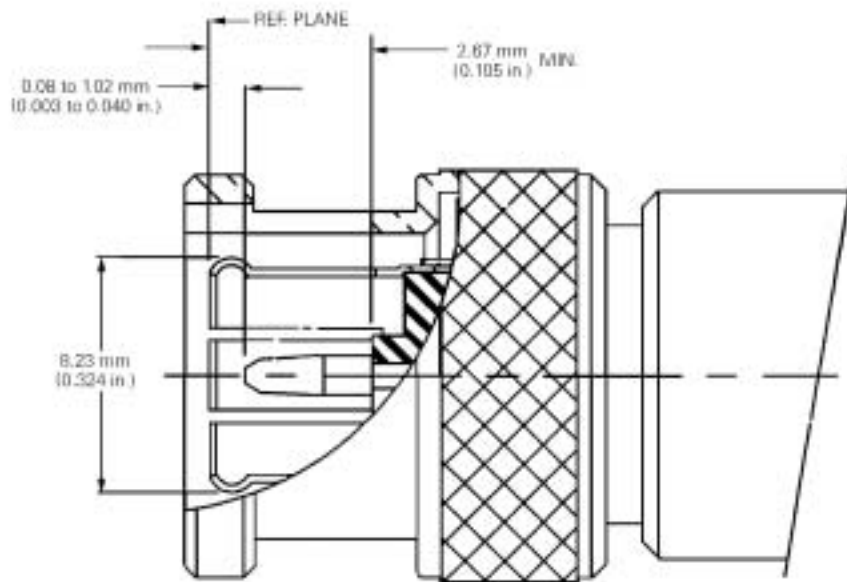
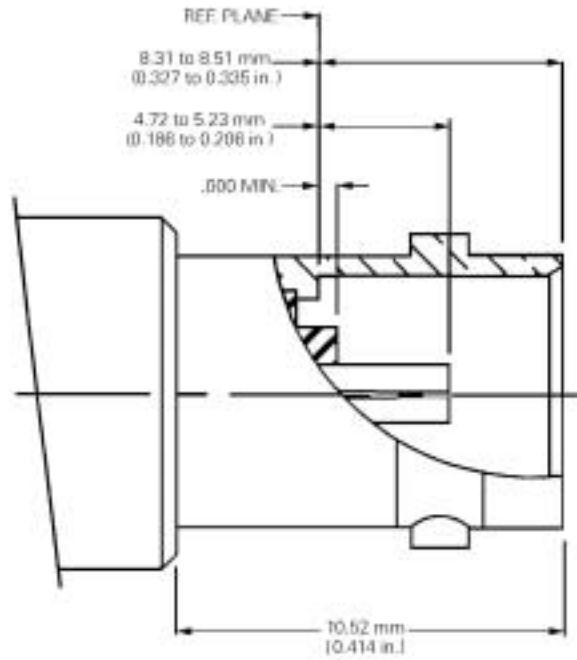
- Single Bag
- Custom packaging available upon request

Customer Support Materials

Description	Order No.
Customer Product Drawings.....	By Part Number
Product Substitutions	Contact Technical Support

Description	Order No.
Product Samples	Upon Request
Test Data	Upon Request

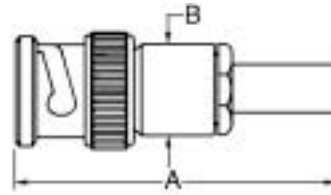
Interface Dimensions per MIL-STD-348



BNC 75 Ohm Cable Plugs

Description

BNC 75 Ohm Cable Plug - Long Crimp Straight



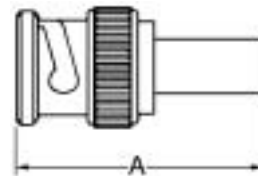
Ordering Data

BNC 75 Ohm Cable Plug Long Crimp Straight

Part Number	Cable RG-/U	Crimp Tool Hex		Dimension				Finish	Assembly Instructions
				A		B			
		mm	in.	mm	in.	mm	in.		
28P290-1	174, 179, 316	3.25	0.128	39.29	1.547	12.70	0.500	Nickel	AI-289
28P294-1	Belden 8281	8.23	0.324	38.89	1.531	12.70	0.500	Nickel	AI-335

Description

BNC 75 Ohm Cable Plug Short Crimp Straight



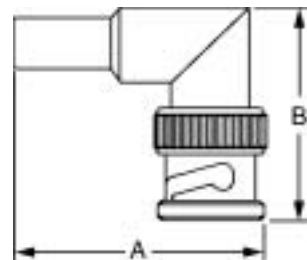
Ordering Data

BNC 75 Ohm Cable Plug Short Crimp Straight

Part Numbers	Cable RG-/U	Crimp Tool Hex		Dimension A		Finish	Assembly Instructions
		mm	in.	mm	in.		
28P293-1	59	6.48	0.255	29.37	1.156	Nickel	AI-26
28P293-2	179, 187	3.25	0.128	29.37	1.156	Nickel	AI-26

Description

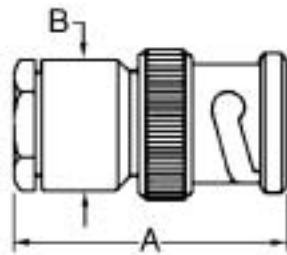
BNC 75 Ohm Cable Plug Short Crimp Right-Angle



Ordering Data

BNC 75 Ohm Cable Plug Short Crimp Right-Angle

Part Number	Cable RG-/U	Crimp Tool Hex		Dimension				Finish	Assembly Instructions
				A		B			
		mm	in.	mm	in.	mm	in.		
28P268-1	59	6.48	0.255	25.80	1.016	22.62	0.891	Nickel	AI-101
28P268-3	174, 179, 316	3.25	0.128	25.80	1.016	22.62	0.891	Nickel	AI-101

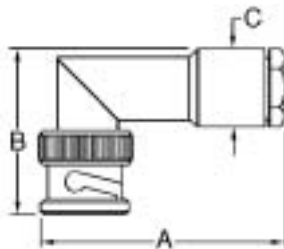


Description
BNC 75 Ohm Cable Plug - Straight Cut Straight

Ordering Data
BNC 75 Ohm Cable Plug - Straight Cut Straight

Part Number	Cable RG-/U	Dimension				Finish	Assembly Instructions	Note
		A		B				
		mm	in.	mm	in.			
28P284-1	59	26.99	1.063	12.70	0.500	Nickel	AI-12	1
28P284-3	302	26.99	1.063	12.70	0.500	Nickel	AI-12	
28P284-4	179, 187	26.99	1.063	12.70	0.500	Nickel	AI-12	

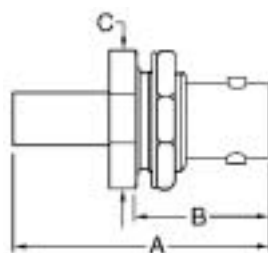
Note 1 - Also available in clamp cable termination as 28P189-2.



Description
BNC 75 Ohm Cable Plug - Straight Cut Right-Angle

Ordering Data
BNC 75 Ohm Cable Plug - Straight Cut Right-Angle

Part Number	Cable RG-/U	Dimension						Finish	Assembly Instructions
		A		B		C			
		mm	in.	mm	in.	mm	in.		
28P243-1	59	39.69	1.563	27.78	1.094	12.70	0.500	Nickel	AI-20



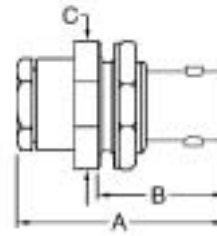
Description
BNC 75 Ohm Cable Jack - Single Hole Mount Short Crimp Straight

Ordering Data
BNC 75 Ohm Cable Jack - Single Hole Mount Short Crimp Straight

Part Number	Cable RG-/U	Crimp Tool Hex		Dimension						Finish	Mtg. Hole	Assembly Instructions	Note
		mm	in.	A		B		C					
				mm	in.	mm	in.	mm	in.				
28JS171-1	174, 187, 188	4.52	0.178	33.34	1.313	17.07	0.672	17.46	0.688	Nickel	D4	AI-26	
28JS171-2	59, 62, 210	6.48	0.255	33.34	1.313	17.07	0.672	17.46	0.688	Nickel	D4	AI-26	
28JS209-1	59	6.48	0.255	32.54	1.281	20.64	0.813	17.46	0.688	Nickel	D4	AI-26	1
28JS209-2	174, 316	3.25	0.128	32.54	1.281	20.64	0.813	17.46	0.688	Nickel	D4	AI-26	1

Note 1 - Captive Contact

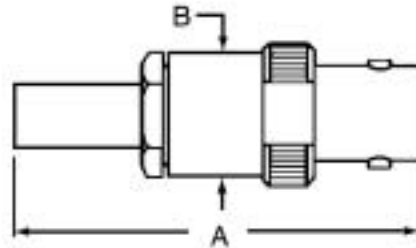
Description
BNC 75 Ohm Cable Jack - Single Hole Mount Clamp
Straight



Ordering Data
BNC 75 Ohm Cable Jack - Single Hole Mount Captive Contact Straight

Part Number	Cable RG-/U	Dimension						Finish	Mtg. Hole	Assembly Instructions
		A		B		C				
		mm	in.	mm	in.	mm	in.			
28JS161-2	59	28.58	1.125	20.64	0.813	17.46	0.688	Nickel	D4	AI-20
28JS161-3	174, 179A, 187, 188	28.58	1.125	20.64	0.813	17.46	0.688	Nickel	D4	AI-20

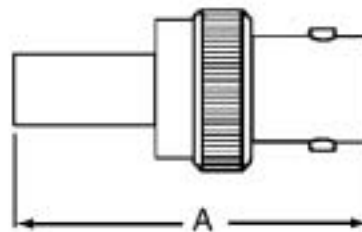
Description
BNC 75 Ohm Cable Jack - Long Crimp Straight



Ordering Data
BNC 75 Ohm Cable Jack - Long Crimp Straight

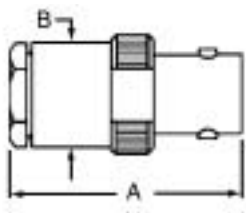
Part Number	Cable RG-/U	Crimp Tool Hex		Dimension				Finish	Assembly Instructions
				A		B			
		mm	in.	mm	in.	mm	in.		
28J168-1	Belden 8281	8.23	0.324	38.10	1.500	12.70	0.500	Nickel	AI-328

Description
BNC 75 Ohm Cable Jack - Short Crimp Straight



Ordering Data
BNC 75 Ohm Cable Jack - Short Crimp Straight

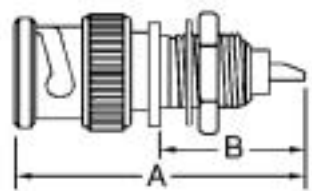
Part Number	Cable RG-/U	Crimp Tool Hex		Dimension A		Finish	Assembly Instructions
		mm	in.	mm	in.		
28J169-1	59	6.48	0.255	32.54	1.281	Nickel	AI-26



Description
BNC 75 Ohm Cable Jack - Clamp Straight

Ordering Data BNC 75 Ohm Cable Jack - Clamp Straight							
Part Number	Cable RG-/U	Dimension				Finish	Assembly Instructions
		A		B			
		mm	in.	mm	in.		
28J138-1	59	28.58	1.125	12.70	0.500	Nickel	Al-20

BNC 75 Ohm Receptacles



Description
BNC 75 Ohm Receptacle Plug -
Single Hole Mount Solder Straight

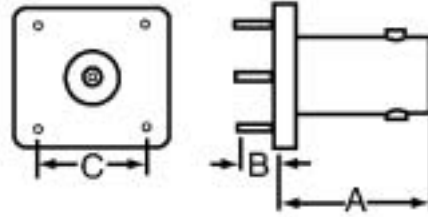
Ordering Data BNC 75 Ohm Receptacle Plug - Single Hole Mount Solder Straight						
Part Number	Dimension				Finish	Mtg. Hole
	A		B			
	mm	in.	mm	in.		
28PR124-1	31.75	1.250	14.68	0.578	Nickel	D8



Description
BNC 75 Ohm Receptacle Plug -
Flange Mount Solder Straight

Ordering Data BNC 75 Ohm Receptacle Plug - Flange Mount Solder Straight						
Part Number	Dimension				Mtg. Plate	Finish
	A		B			
	mm	in.	mm	in.		
28PR136-1	31.75	1.250	21.43	0.844	2B	Nickel

Description
BNC 75 Ohm Receptacle Jack -
Printed Circuit Board Straight

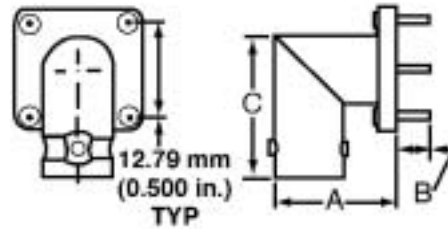


Ordering Data
BNC 75 Ohm Receptacle Jack - Printed Circuit Board Straight

Part Number	Dimension						Finish	Mtg. PCB	Note
	A		B		C				
	mm	in.	mm	in.	mm	in.			
28JR272-1	17.86	0.703	4.80	0.189	12.70	0.500	Nickel	B1	1

Note 1 - 5 legs 0.97 mm (0.038 in.) diameter

Description
BNC 75 Ohm Receptacle Jack -
Printed Circuit Board Right-Angle

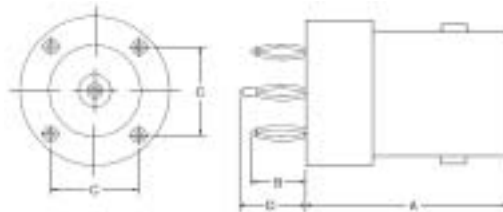


Ordering Data
BNC 75 Ohm Receptacle Jack - Printed Circuit Board Right-Angle

Part Number	Dimension						Finish	Mtg. PCB	Note
	A		B		C				
	mm	in.	mm	in.	mm	in.			
28JR327-1	15.48	0.609	4.80	0.189	20.24	0.797	Nickel	B1	1

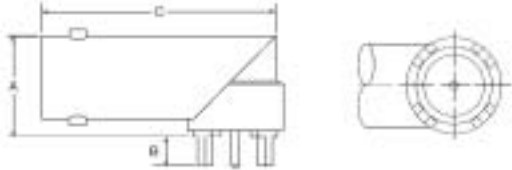
Note 1 - 5 legs 0.97 mm (0.038 in.) diameter

Description
BNC 75 Ohm Receptacle Jack -
Compliant Pin Straight



Ordering Data
BNC 75 Ohm Receptacle Jack - Compliant Pin Straight

Part Number	Dimension								Finish	Mtg. PCB
	A		B		C		D			
	mm	in.	mm	in.	mm	in.	mm	in.		
28JR525-1	16.00	0.630	4.29	0.169	6.88	0.271	N/A		Nickel	B8
28JR529-1	16.00	0.630	4.57	0.180	6.88	0.271	5.59	0.220	Nickel	B6



Description
BNC 75 Ohm Receptacle Jack -
Printed Circuit Board Right-Angle

Ordering Data									
BNC 75 Ohm Receptacle Jack - Printed Circuit Board Right-Angle									
Part Number	Dimension						Finish	Mtg. PCB	Note
	A		B		C				
	mm	in.	mm	in.	mm	in.			
28JR401-1	10.97	0.432	3.33	0.131	28.02	1.103	Nickel	B7	
28JR401-2	10.97	0.432	3.33	0.131	28.02	1.103	Tri-Alloy	B7	
28JR404-1	10.97	0.432	3.33	0.131	28.02	1.103	Nickel	B7	1
28JR521-1	10.97	0.432	3.33	0.131	28.02	1.103	Nickel	B5	

Note 1 - Short Insulator



Description
BNC 75 Ohm Receptacle Jack -
Single Hole Mount Straight

Ordering Data							
BNC 75 Ohm Receptacle Jack - Single Hole Mount Straight							
Part Number	Dimension				Finish	Mtg. Hole	Note
	A		B				
	mm	in.	mm	in.			
28JR217-2	24.21	0.953	13.10	0.516	Nickel	Threaded 3/8-32	
28JR261-1	32.94	1.297	15.08	0.594	Silver	DD2	
28JR268-1	26.99	1.063	13.89	0.547	Nickel	D8	
28JR343-1	20.24	0.797	11.91	0.469	Nickel	D8	
28JR345-1	20.24	0.797	15.88	0.625	Nickel	D5	Reverse Mount



Description
BNC 75 Ohm Receptacle Jack -
Flange Mount Solder Straight

Ordering Data						
BNC 75 Ohm Receptacle Jack - Flange Mount Solder Straight						
Part Number	Dimension				Finish	Mtg. Plate
	A		B			
	mm	in.	mm	in.		
28JR258-1	24.21	0.953	15.88	0.625	Nickel	3B

BNC 75 Ohm Adapters

Description

BNC 75 Ohm Adapter - Straight



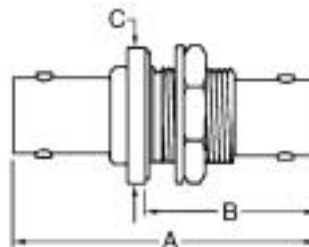
Ordering Data

BNC 75 Ohm Adapter - Straight

Part Number	Adapter Ends	Dimension A		Finish
		mm	in.	
28A111-2	Plug-Plug	31.35	1.234	Nickel

Description

BNC 75 Ohm Adapter - Single Hole Mount Straight



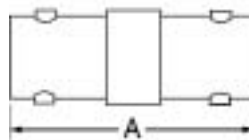
Ordering Data

BNC 75 Ohm Adapter - Single Hole Mount Straight

Part Number	Adapter Ends	Dimension						Finish	Mtg. Hole
		A		B		C			
		mm	in.	mm	in.	mm	in.		
28AS112-1	Jack-Jack	32.54	1.281	19.45	0.766	17.46	0.688	Nickel	D4

Description

BNC 75 Ohm Adapter - Straight



Ordering Data

BNC 75 Ohm Adapter - Straight

Part Number	Adapter Ends	Dimension A		Finish
		mm	in.	
28A110-2	Jack-Jack	32.54	1.281	Nickel



Description
BNC 75 Ohm Adapter - Right-Angle

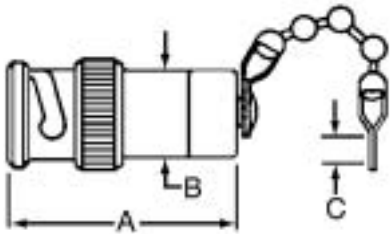
Ordering Data BNC 75 Ohm Adapter - Right-Angle						
Part Number	Adapter Ends	Dimension				Finish
		A		B		
		mm	in.	mm	in.	
28AR102-2	Plug-Jack	26.19	1.031	20.24	0.797	Nickel



Description
BNC 75 Ohm Adapter - Tee

Ordering Data BNC 75 Ohm Adapter - Tee						
Part Number	Adapter Ends	Dimension				Finish
		A		B		
		mm	in.	mm	in.	
28AT109-1	Jack-Plug-Jack	32.54	1.281	26.19	1.031	Nickel
28AT112-1	Plug-Plug-Plug	46.04	1.813	30.96	1.219	Nickel
28AT113-1	Jack-Jack-Jack	32.54	1.281	22.62	0.891	Nickel

BNC 75 Ohm Termination



Description
BNC 75 Ohm Termination Plug - Straight

Ordering Data BNC 75 Ohm Termination Plug - Straight											
Part Number	Resistor		Dimension						Finish	Chain Length	
	Ohm	Watt	A		B		C			mm	in.
			mm	in.	mm	in.	mm	in.			
28PO104-2	75	0.5	31.75	1.250	12.70	0.500	No Chain		Nickel	N/A	
28PO108-1	75	0.5	30.16	1.188	12.70	0.500	3.66	0.144	Nickel	88.90 3.500	

BNC Series

TRIAx

Bayonet Locking



Features

- Miniature
- Weatherproof
- Reduce noise levels
- Isolated ground
- Non-constant impedance

Options

- Small and Medium Sized Cables
- Two and Three lug versions available
- Straight, Right-Angle, Long Crimp, Short Crimp, Flange Mount, Single Hole Mount, Printed Circuit Board, Cap and Chain, Termination and Tee types available
- Adapters between two and three lug versions available

Specifications

- QQ-B-626
- MIL-G-45204
- MIL-STD-348
- QQ-S-365
- MIL-STD-202
- ZZ-R-765
- QQ-C-530

Mating Data

- RG-U Cables (See page 30-9)

Technical Data

Materials

- Body Parts Brass, QQ-B-626, 1/2 HD.
- Contacts
 - ▶ Male Brass QQ-B-626, 1/2 HD.
 - ▶ Female Beryllium copper QQ-C-530
Heat treated to condition HT
- Insulators PTFE Fluorocarbon
- Gaskets Rubber ZZ-R-765

Plating

All parts plated to meet finish and corrosion requirements of MIL-C-39012

- Finish
 - ▶ Gold MIL-G-45204
 - ▶ Nickel IP23
 - ▶ Silver QQ-S-365
 - ▶ Tri-Alloy P20

Electrical Performance

- Impedance Non-constant
- Insulation Resistance 5,000 MΩ Minimum

- Voltage Rating 400 VRMS working Voltage
- Contact Resistance
 - ▶ Outer contact 0.5 mΩ Maximum
 - ▶ Center contact 5.0 mΩ Maximum
 - ▶ Intermediate contact 0.5 mΩ Maximum

Mechanical Performance

- Force to Engage and Disengage
 - ▶ Longitudinal force 3 lbs Maximum
 - ▶ Torque 2 1/2 inch-lbs Maximum
- Coupling Nut Retention Force 100 lbs Minimum
- Connector Durability 500 cycles Minimum

Operating Environment

- Temperature range -65°C to +165°C
- Corrosion (salt spray) . MIL-STD-202, method 101, cond. B
- Moisture Resistance MIL-STD-202, method 106

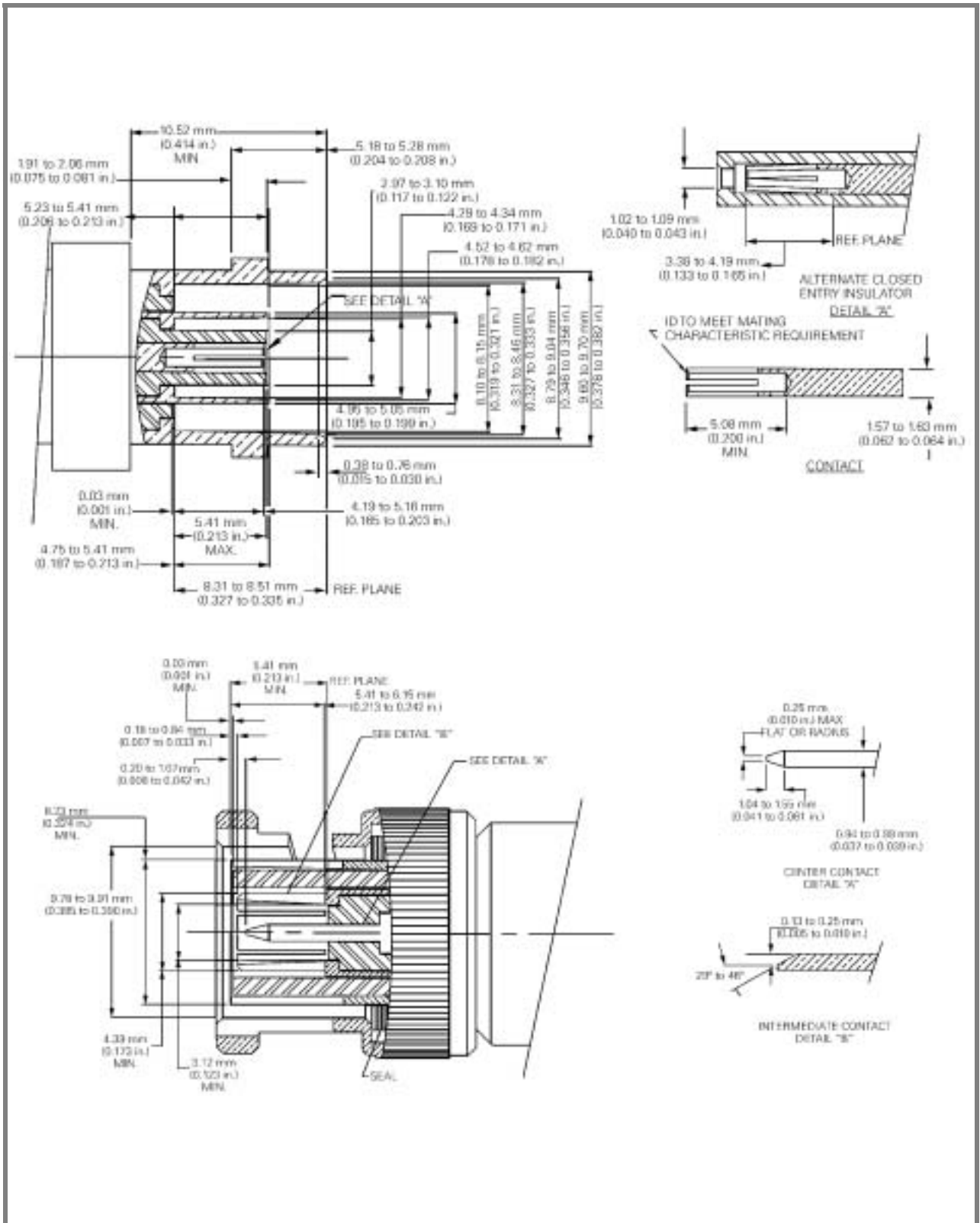
Packaging

- Single bags
- Custom packaging available upon request

Customer Support Materials

Description	Order No.	Description	Order No.
Customer Product Drawings.....	By Part Number	Product Samples	Upon Request
Product Substitutions	Contact Technical Support	Test Data	Upon Request

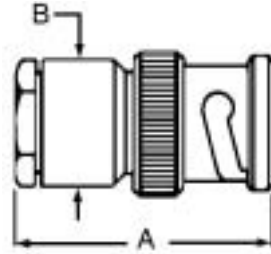
Interface Dimensions per MIL-STD-348



BNC TRIAX Cable Plugs

Description

BNC TRIAX Cable Plug - Straight Cut Straight



Ordering Data

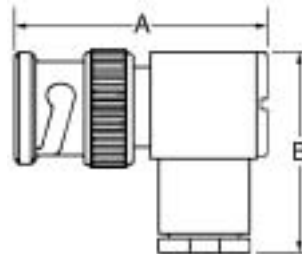
BNC TRIAX Cable Plug - Straight Cut Straight

Part Number	Triaxial Cable	Dimension				Finish	Assembly Instructions	Note
		A		B				
		mm	in.	mm	in.			
30P105-3	RG108A/U	35.72	1.406	12.70	0.500	Nickel	AI-90	
30P106-1	RG108A/U	35.72	1.406	12.70	0.500	Nickel	AI-90	3 Lugs
30P107-5	RG22, W.E. 754E	47.63	1.875	19.05	0.750	Nickel	AI-83	3 Lugs
30P132-1	RG307A/U	49.61	1.953	19.05	0.750	Nickel	AI-56	1
30P136-6	RG108, Belden 9272	35.72	1.406	12.70	0.500	Nickel	AI-77	3 Lugs
30P139-1	Times TRF59, Belden 8232	47.63	1.875	19.05	0.750	Nickel	AI-116	3 Lugs

Note 1 - 3 Lugs & Clamp Cable Termination

Description

BNC TRIAX Cable Plug - Straight Cut Right-Angle



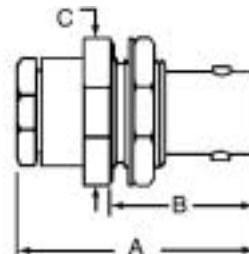
Ordering Data

BNC TRIAX Cable Plug - Straight Cut Right-Angle

Part Number	Triaxial Cable	Dimension				Finish	Assembly Instructions
		A		B			
		mm	in.	mm	in.		
30P120-1	RG108A/U	30.16	1.188	26.99	1.063	Nickel	AI-89
30P133-1	RG307A/U	48.42	1.906	33.34	1.313	Nickel	AI-56

Description

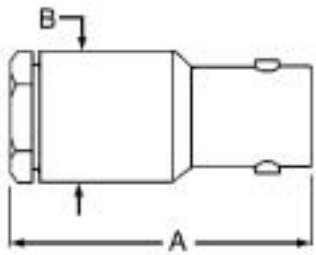
BNC TRIAX Cable Jack - Single Hole Mount Clamp Straight



Ordering Data

BNC TRIAX Cable Jack - Single Hole Mount Clamp Straight

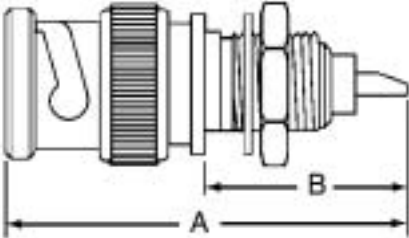
Part Number	Triaxial Cable	Dimension						Finish	Mtg. Hole	Assembly Instructions	Note
		A		B		C					
		mm	in.	mm	in.	mm	in.				
30JS128-1	RG307A/U	53.18	2.094	17.07	0.672	19.05	0.750	Nickel	D4	AI-56	3 Lugs



Description
BNC TRIAX Cable Jack - Straight Cut Straight

Ordering Data BNC TRIAX Cable Jack - Straight Cut Straight								
Part Number	Triaxial Cable	Dimension				Finish	Assembly Instructions	Note
		A		B				
		mm	in.	mm	in.			
30J100-1	RG108A/U	41.28	1.625	12.70	0.500	Nickel	AI-90	2 Lug

BNC TRIAX Receptacles



Description
BNC TRIAX Receptacle Plug - Single Hole Mount Solder Straight

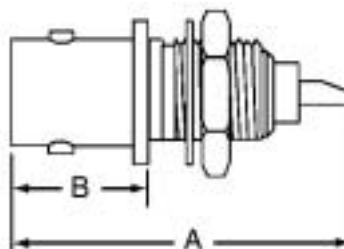
Ordering Data BNC TRIAX Receptacle Plug - Single Hole Mount Solder Straight							
Part Number	Dimension				Finish	Mtg. Hole	Note
	A		B				
	mm	in.	mm	in.			
30PR100-1	32.54	1.281	15.88	0.625	Nickel	D5	3 Lug
30PR100-2	32.54	1.281	15.88	0.625	Nickel	D5	



Description
BNC TRIAX Receptacle Jack - Single Hole Mount Solder Straight

Ordering Data BNC TRIAX Receptacle Jack - Single Hole Mount Solder Straight						
Part Number	Dimension				Finish	Mtg. Plate
	A		B			
	mm	in.	mm	in.		
30JR120-1	32.94	1.297	21.03	0.828	Nickel	D4

Description
BNC TRIAX Receptacle Jack -
Single Hole Mount Solder Straight



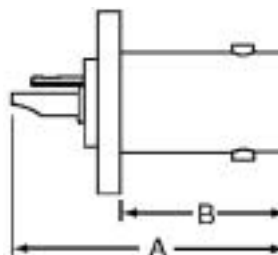
Ordering Data
BNC TRIAX Receptacle Jack - Single Hole Mount Solder Straight

Part Number	Dimension				Finish	Mtg. Hole	Note
	A		B				
	mm	in.	mm	in.			
30JR104-4	28.97	1.141	12.30	0.484	Nickel	D5	1
30JR106-3	32.94	1.297	12.30	0.484	Nickel	D3	1 & 2
30JR116-1	28.97	1.141	12.30	0.484	Nickel	D5	
30JR121-1	28.18	1.109	12.70	0.500	Nickel	D8	
30JR121-2	28.18	1.109	12.70	0.500	Nickel	D8	1
30JR122-1	32.94	1.297	12.30	0.484	Nickel	D3	2

Note 1 - 3 Lug

Note 2 - Isolated Ground

Description
BNC TRIAX Receptacle Jack -
Flange Mount Solder Straight

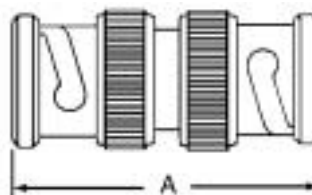


Ordering Data
BNC TRIAX Receptacle Jack - Flange Mount Solder Straight

Part Number	Dimension				Finish	Mtg. Plate	Note
	A		B				
	mm	in.	mm	in.			
30JR100-1	27.38	1.078	15.88	0.625	Silver	3B	
30JR101-3	31.35	1.234	15.88	0.625	Nickel	3B	3 Lug

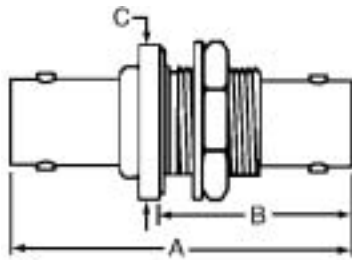
BNC TRIAX Adapters

Description
BNC TRIAX Adapter - Straight



Ordering Data
BNC TRIAX Adapter - Straight

Part Number	Adapter Ends	Dimension A		Finish	Note
		mm	in.		
30A102-1	Plug-Plug	39.69	1.563	Nickel	3 Slot
30A102-2	Plug-Plug	39.69	1.563	Nickel	

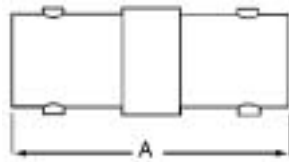


Description
BNC TRIAX Adapter - Single Hole Mount Straight

Ordering Data
BNC TRIAX Adapter - Single Hole Mount Straight

Part Number	Adapter Ends	Dimension						Finish	Mtg. Hole	Note
		A		B		C				
		mm	in.	mm	in.	mm	in.			
30AS102-3	Jack-Jack	34.53	1.359	22.23	0.875	19.05	0.750	Nickel	D3	1
30AS105-1	Jack-Jack	34.53	1.359	18.65	0.734	19.05	0.750	Silver	D4	
30AS105-3	Jack-Jack	34.53	1.359	18.65	0.734	19.05	0.750	Nickel	D4	

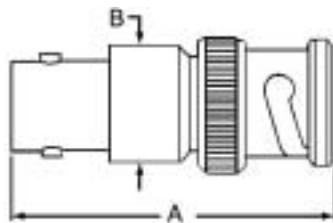
Note 1 - Isolated Ground



Description
BNC TRIAX Adapter - Straight

Ordering Data
BNC TRIAX Adapter - Straight

Part Number	Adapter Ends	Dimension A		Finish	Note
		mm	in.		
30A101-2	Jack-Jack	34.53	1.359	Nickel	
30A101-3	Jack-Jack	34.53	1.359	Nickel	3 Lug

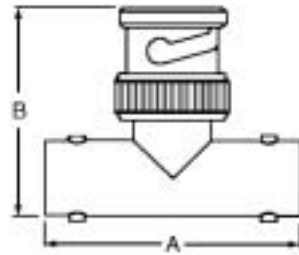


Description
BNC TRIAX Adapter - Straight

Ordering Data
BNC TRIAX Adapter - Straight

Part Number	Adapter Ends	Dimension				Finish	Note
		A		B			
		mm	in.	mm	in.		
30A103-3	Jack-Plug	34.53	1.359	12.70	0.500	Nickel	2 Lug & 3 Slot
30A103-4	Jack-Plug	34.53	1.359	12.70	0.500	Nickel	3 Lug & 2 Slot

Description
 BNC TRIAX Adapter - Tee

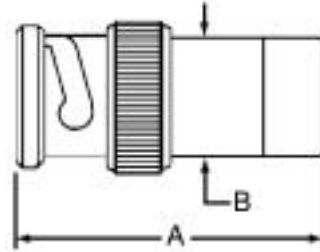


Ordering Data
 BNC TRIAX Adapter - Tee

Part Number	Adapter Ends	Dimension				Finish	Note
		A		B			
		mm	in.	mm	in.		
30AT101-1	Jack-Plug-Jack	32.54	1.281	27.78	1.094	Silver	3 Lug & 3 Slot
30AT102-1	Jack-Plug-Jack	32.54	1.281	27.78	1.094	Nickel	

BNC TRIAX Termination

Description
 BNC TRIAX Termination Plug - Straight

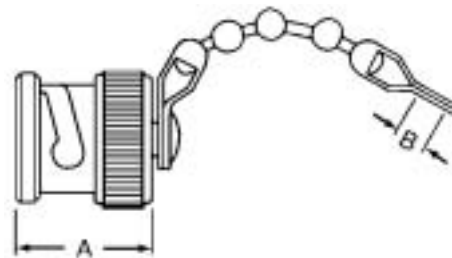


Ordering Data
 BNC TRIAX Termination Plug - Straight

Part Number	Resistor		Dimension				Finish	Note
	Ohm	Watt	A		B			
			mm	in.	mm	in.		
30PO100-1	75	0.5	41.28	1.625	12.70	0.500	Nickel	3 Slot

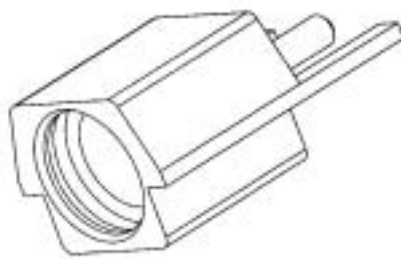
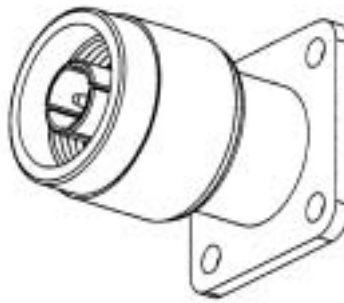
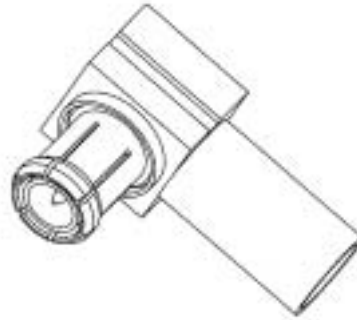
BNC TRIAX Cap

Description
 BNC TRIAX Cap Plug - Straight



Ordering Data
 BNC TRIAX Cap Plug - Straight

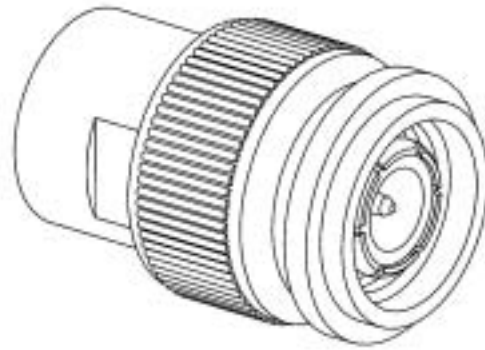
Part Number	Dimension				Finish	Note	Chain Length	
	A		B				mm	in.
	mm	in.	mm	in.				
30PC103-1	15.08	0.594	3.66	0.144	Nickel	3 Slot	63.50	2.500



TNC Series

50 Ohms

Threaded Coupling



Features

- Miniature
- Weatherproof
- For applications to 11 GHz
- Improved Vibration Characteristics
- Resistance to RF leakage
- Plugs incorporate safety wiring holes in the coupling sleeve so that they may be wired in place in severe vibration conditions.
- Made to MIL-C-39012

Options

- Small and Medium Sized Cables
- Straight, Right-Angle, Long Crimp, Short Crimp, Flange Mount, Single Hole Mount, Printed Circuit Board, Cap and Chain, Termination, Cross and Tee types available
- Adapters available

Specifications

- MIL-C-39012
- MIL-G-45204
- MIL-STD-348
- QQ-S-365
- MIL-STD-202
- ZZ-R-765
- QQ-C-530
- QQ-B-626

Mating Data

- RG-/U Cables (See page 30-9)

Technical Data

Materials

- Body Parts Brass, QQ-B-626, 1/2 HD.
- Contacts
 - ▶ Male Brass QQ-B-626, 1/2 HD.
 - ▶ Female Beryllium copper QQ-C-530
- Insulators PTFE Fluorocarbon
- Gaskets Silicone Rubber ZZ-R-765

Plating

All parts plated to meet finish and corrosion requirements of MIL-C-39012

- Finish
 - ▶ Gold MIL-G-45204
 - ▶ Nickel IP23
 - ▶ Silver QQ-S-365
 - ▶ Tri-Alloy P20

Electrical Performance

- Impedance 50Ω nominal
- Frequency D.C. to 18 GHz
- Insulation Resistance 5,000 MΩ Minimum
- Voltage Rating 500 VRMS
- Dielectric Withstanding 1,500 VRMS at sea level
- R.F. Leakage -60 dB Minimum at 2 to 3 GHz

- R.F. High Potential Withstanding Voltage 1,000 VRMS at 5 to 7 MHz
- Voltage Standing Wave ratio (VSWR) 1.30 Maximum at 500 to 11,000 MHz
- Insertion Loss -18 dB at 9 GHz
- Contact Resistance
 - ▶ Outer contact 0.2 mΩ maximum
 - ▶ Center contact 1.5 mΩ maximum

Mechanical Performance

- Force to Engage and Disengage
 - ▶ Torque 2 1/2 inch-lbs Maximum
- Coupling Nut Retention Force 100 lbs minimum
- Coupling Proof Torque 30 inch-lbs Minimum
- Connector Durability 500 cycles minimum

Operating Environment

- Temperature range -65°C to +165°C
- Vibration MIL-STD-202, method 204, cond D. (20 G's)
- Shock MIL-STD-202, method 213, cond. I (100 G's)
- Thermal shock MIL-STD-202, method 107, cond. B -65°C to +115°C
- Corrosion (salt spray) . MIL-STD-202, method 101, cond. B
- Moisture Resistance MIL-STD-202, method 106

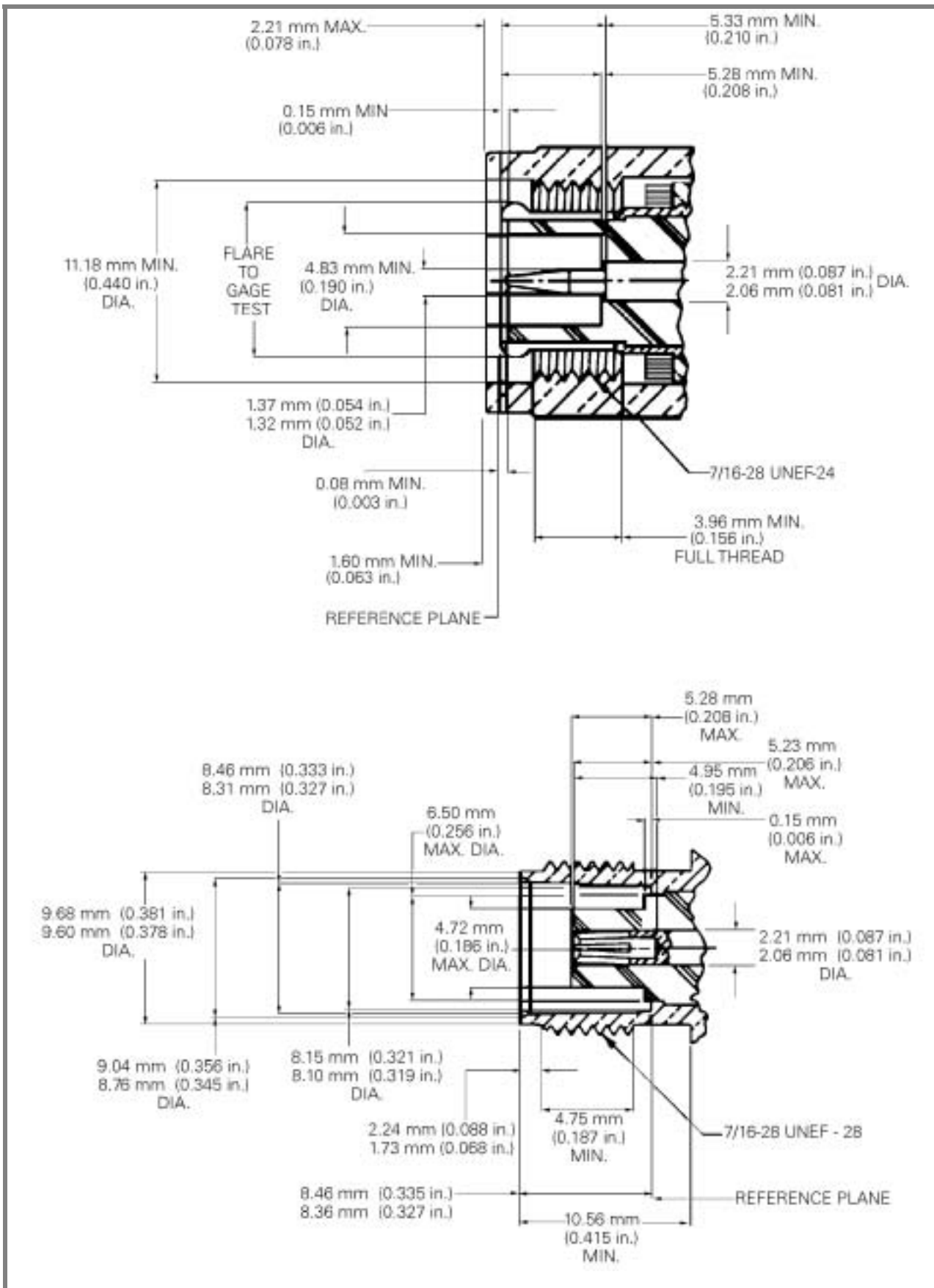
Packaging

- Single Bag
- Custom packaging available upon request

Customer Support Materials

Description	Order No.	Description	Order No.
Customer Product Drawings.....	By Part Number	Product Samples	Upon Request
Product Substitutions	Contact Technical Support	Test Data	Upon Request

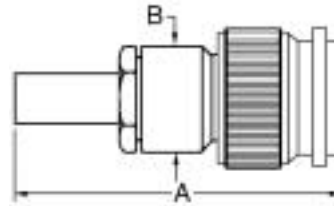
Interface Dimensions per MIL-STD-348



TNC 50 Ohm Cable Plugs

Description

TNC 50 Ohm Cable Plug - Long Crimp Straight



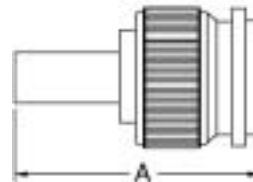
Ordering Data

TNC 50 Ohm Cable Plug - Long Crimp Straight

Part Number	Cable RG-/U	Crimp Tool Hex		Dimension				Finish	Assembly Instructions
				A		B			
		mm	in.	mm	in.	mm	in.		
24P102-1	58, 141	5.41	0.213	38.10	1.500	12.70	0.500	Silver	AI-37
24P102-2	59, 62, 140	6.48	0.255	38.10	1.500	12.70	0.500	Silver	AI-37
24P102-3	55, 142	5.41	0.213	38.10	1.500	12.70	0.500	Silver	AI-37
24P102-5	122	4.52	0.178	38.10	1.500	12.70	0.500	Silver	AI-37

Description

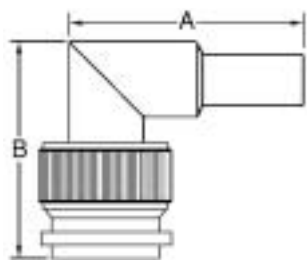
TNC 50 Ohm Cable Plug - Short Crimp Straight



Ordering Data

TNC 50 Ohm Cable Plug - Short Crimp Straight

Part Number	Cable RG-/U	Crimp Tool Hex		Dimension A		Finish	Assembly Instructions	Note
		mm	in.	mm	in.			
24P103-1	58, 141	5.41	0.213	29.77	1.172	Silver	AI-26	
24P103-2	59, 62, 140	6.48	0.255	29.77	1.172	Silver	AI-26	
24P103-3	55, 142	5.41	0.213	29.77	1.172	Silver	AI-26	
24P142-1	174, 188	4.52	0.178	29.77	1.172	Silver	AI-285	
24P167-1	58, 303	5.41	0.213	28.58	1.125	Nickel	AI-325	Captive Contact
24P167-2	59	6.48	0.255	28.58	1.125	Nickel	AI-325	Captive Contact
24P172-1	8, 11, 213	10.90	0.429	42.86	1.688	Nickel	AI-231	Captive Contact
24P172-2	9, 13, 214	10.90	0.429	42.86	1.688	Nickel	AI-231	Captive Contact

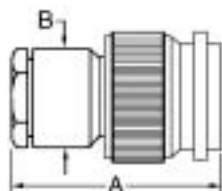


Description
TNC 50 Ohm Cable Plug - Short Crimp Right-Angle

Ordering Data

TNC 50 Ohm Cable Plug - Short Crimp Right-Angle

Part Number	Cable RG-/U	Crimp Tool Hex		Dimension				Finish	Assembly Instructions	Note
		mm	in.	A		B				
				mm	in.	mm	in.			
24P120-1	58, 141	5.41	0.213	38.89	1.531	26.19	1.031	Silver	Al-26	
24P120-2	59, 62, 140	6.48	0.255	38.89	1.531	26.19	1.031	Silver	Al-26	
24P120-3	55, 142, 223	5.41	0.213	38.89	1.531	26.19	1.031	Silver	Al-26	
24P171-2	58	5.41	0.213	41.28	1.625	26.19	1.031	Silver	Al-326	Captive Contact
24P171-3	223	5.41	0.213	41.28	1.625	26.19	1.031	Silver	Al-326	Captive Contact
24P171-4	180, 195	4.52	0.178	41.28	1.625	26.19	1.031	Silver	Al-326	Captive Contact
24P173-1	8, 213	10.90	0.429	43.66	1.719	28.58	1.125	Nickel	Al-327	Captive Contact
24P173-2	9, 214	10.90	0.429	43.66	1.719	28.58	1.125	Nickel	Al-327	Captive Contact



Description
TNC 50 Ohm Cable Plug - Straight Cut Straight

Ordering Data

TNC 50 Ohm Cable Plug - Straight Cut Straight

Part Number	Cable RG-/U	Dimension				Finish	Assembly Instructions	Note
		A		B				
		mm	in.	mm	in.			
24P100-1	58	26.59	1.047	12.70	0.500	Silver	Al-12	
24P100-2	59	26.59	1.047	12.70	0.500	Silver	Al-12	
24P100-3	174	26.59	1.047	12.70	0.500	Silver	Al-12	
24P100-4	223	26.59	1.047	12.70	0.500	Silver	Al-12	
24P100-5	180, 195	26.99	1.063	12.70	0.500	Silver	Al-12	
24P100-7	303	26.99	1.063	12.70	0.500	Silver	Al-12	
24P104-1	0.141 OD	26.59	1.047	12.70	0.500	Silver	Al-21	1
24P104-2	0.085 OD	26.59	1.047	12.70	0.500	Silver	Al-21	1
24P105-1	55, 58, 141, 142, 223	26.59	1.047	12.70	0.500	Silver	Al-20	Captive Contact
24P107-1	59, 62, 71	26.59	1.047	12.70	0.500	Silver	Al-20	Captive Contact
24P116-1	8, 9, 213, 214	41.28	1.625	19.05	0.750	Silver	Al-87	2
24P140-1	8, 213	39.69	1.563	19.05	0.750	Silver	Al-81	
24P140-2	9, 214	39.69	1.563	19.05	0.750	Silver	Al-81	
24P146-1	0.141 SR	19.45	0.766	Solder on Style		Silver	Al-27	3
24P153-1	8, 9, 213, 214	41.28	1.625	19.05	0.750	Silver	Al-50	Captive Contact
24P158-1	179, 188, 316	26.99	1.063	12.70	0.500	Silver	Al-55	

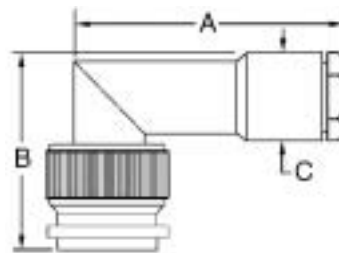
Note 1 - Plug-in/Clamp Cable Termination

Note 2 - Clamp Cable Termination

Note 3 - Solder Cable Termination

Description

TNC 50 Ohm Cable Plug - Straight Cut Right-Angle



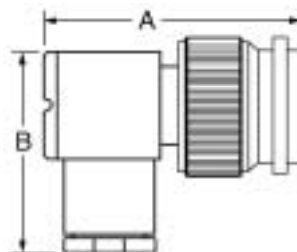
Ordering Data

TNC 50 Ohm Cable Plug - Straight Cut Right-Angle

Part Number	Cable RRG-/U	Dimension						Finish	Assembly Instructions	Note	
		A		B		C					
		mm	in.	mm	in.	mm	in.				
24P112-1	55, 58, 141, 142, 223	39.69	1.563	27.78	1.094	12.70	0.500	Silver	AI-20	Captive Contact Clamp Cable Termination	
24P118-1	55, 58, 141, 142, 223	39.69	1.563	27.78	1.094	12.70	0.500	Silver	AI-14		
24P134-1	58	39.69	1.563	27.79	1.094	12.70	0.500	Silver	AI-12		
24P134-2	59	39.69	1.563	27.79	1.094	12.70	0.500	Silver	AI-12		
24P134-3	174, 316	39.69	1.563	27.79	1.094	12.70	0.500	Silver	AI-12		
24P134-4	223	39.69	1.563	27.79	1.094	12.70	0.500	Silver	AI-12		
24P155-1	9, 214	19.05	0.750	30.96	1.219	19.05	0.750	Silver	AI-81		
24P155-2	8, 213	19.05	0.750	30.96	1.219	19.05	0.750	Silver	AI-81		
24P159-1	8, 9, 213, 214	19.05	0.750	30.96	1.219	19.05	0.750	Silver	AI-33		Clamp Cable Termination Solder on Bushing
24P165-1	0.141 S.R.	19.05	0.750	30.96	1.219	19.05	0.750	Silver	AI-324		
24P165-2	0.085 S.R.	19.05	0.750	30.96	1.219	19.05	0.750	Silver	AI-324		

Description

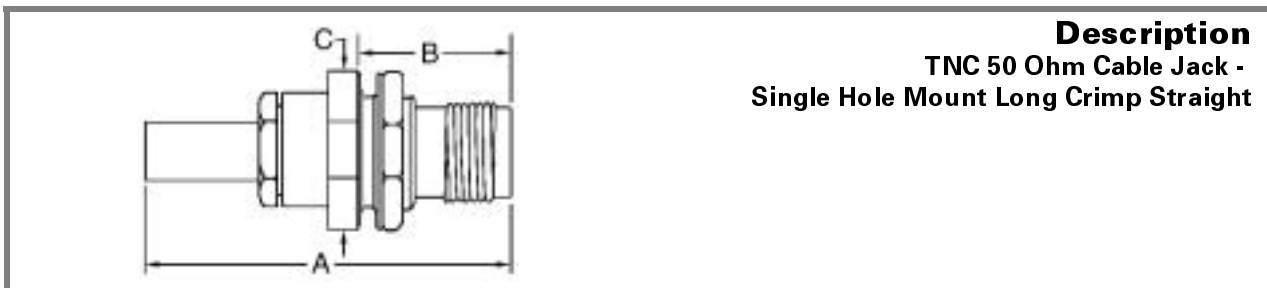
TNC 50 Ohm Cable Plug - Clamp Right-Angle



Ordering Data

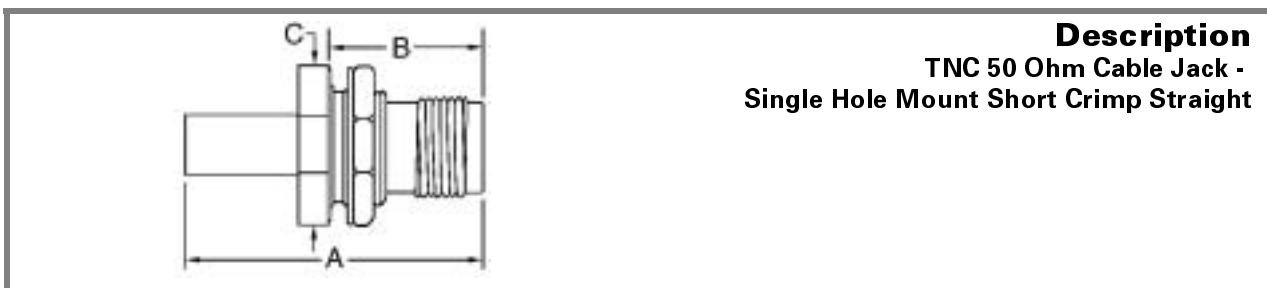
TNC 50 Ohm Cable Plug - Clamp Right-Angle

Part Number	Cable RG-/U	Dimension				Finish	Assembly Instructions
		A		B			
		mm	in.	mm	in.		
24P108-1	55, 58	30.16	1.188	25.40	1.000	Silver	AI-323



Description
TNC 50 Ohm Cable Jack -
Single Hole Mount Long Crimp Straight

Ordering Data													
TNC 50 Ohm Cable Jack - Single Hole Mount Long Crimp Straight													
Part Number	Cable RG-/U	Crimp Tool Hex		Dimension						Finish	Mtg. Hole	Assembly Instructions	Note
		mm	in.	A		B		C					
		mm	in.	mm	in.	mm	in.	mm	in.				
24JS102-1	58	5.41	0.213	45.24	1.781	19.05	0.750	15.88	0.625	Silver	D4	Al-37	Isolated Ground
24JS102-2	59, 62	6.48	0.255	45.24	1.781	19.05	0.750	15.88	0.625	Silver	D4	Al-37	Isolated Ground
24JS102-3	187, 316	3.25	0.128	45.24	1.781	19.05	0.750	15.88	0.625	Silver	D4	Al-37	Isolated Ground
24JS110-1	58, 141	5.41	0.213	38.10	1.500	17.07	0.672	17.46	0.688	Silver	D4	Al-37	
24JS110-2	59, 62, 140	6.48	0.255	38.10	1.500	17.07	0.672	17.46	0.688	Silver	D4	Al-37	

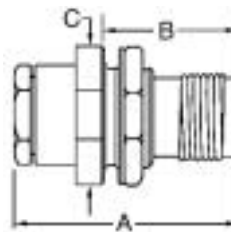


Description
TNC 50 Ohm Cable Jack -
Single Hole Mount Short Crimp Straight

Ordering Data													
TNC 50 Ohm Cable Jack - Single Hole Mount Short Crimp Straight													
Part Number	Cable RG-/U	Crimp Tool Hex		Dimension						Finish	Mtg. Hole	Assembly Instructions	Note
		mm	in.	A		B		C					
		mm	in.	mm	in.	mm	in.	mm	in.				
24JS111-1	58, 141	5.41	0.213	33.34	1.313	17.07	0.672	17.46	0.688	Silver	D4	Al-26	M39012 Type
24JS111-2	59, 62, 140	6.48	0.255	33.34	1.313	17.07	0.672	17.46	0.688	Silver	D4	Al-26	
24JS142-1	58	5.41	0.213	34.93	1.375	20.64	0.813	17.46	0.688	Nickel	D4	Al-26	
24JS142-2	59, 62	6.48	0.255	34.93	1.375	20.64	0.813	17.46	0.688	Nickel	D4	Al-26	
24JS145-1	9, 214	10.90	0.429	38.89	1.531	20.64	0.813	17.46	0.688	Nickel	D4	Al-26	
24JS145-2	8, 213	10.90	0.429	38.89	1.531	20.64	0.813	17.46	0.688	Nickel	D4	Al-26	

Description

TNC 50 Ohm Cable Jack - Single Hole Mount Clamp Straight



Ordering Data

TNC 50 Ohm Cable Jack - Single Hole Mount Clamp Straight

Part Number	Cable RG-/U	Dimension						Finish	Mtg. Hole	Assembly Instructions	Note
		A		B		C					
		mm	in.	mm	in.	mm	in.				
24JS100-1	55, 58	28.58	1.125	17.07	0.672	17.46	0.688	Silver	D4	Al-14	
24JS106-1	174, 179A, 187, 188	28.58	1.125	21.03	0.828	17.46	0.688	Silver	D4	Al-14	
24JS106-2	178, 196	28.58	1.125	21.03	0.828	17.46	0.688	Silver	D4	Al-14	
24JS109-1	59, 62, 71	28.58	1.125	19.05	0.750	17.46	0.688	Silver	D4	Al-14	
24JS113-1	58	37.31	1.469	19.05	0.750	15.88	0.625	Silver	D4	Al-14	Isolated Ground
24JS113-2	59	37.31	1.469	19.05	0.750	15.88	0.625	Silver	D4	Al-14	Isolated Ground
24JS113-3	187, 316	37.31	1.469	19.05	0.750	15.88	0.625	Silver	D4	Al-14	Isolated Ground
24JS113-4	180, 195	37.31	1.469	20.64	0.813	17.46	0.688	Silver	D4	Al-14	Isolated Ground
24JS115-1	174, 316	28.58	1.125	20.64	0.813	17.46	0.688	Silver	D4	Al-20	
24JS117-1	0.141 dia SR	28.58	1.125	20.64	0.813	17.46	0.688	Silver	D4	Al-21	1
24JS117-2	0.085 dia SR	28.58	1.125	17.07	0.672	17.46	0.688	Silver	D4	Al-21	1
24JS121-1	58	28.58	1.125	17.07	0.672	17.46	0.688	Silver	D4	Al-12	2
24JS121-2	59	28.58	1.125	17.07	0.672	17.46	0.688	Silver	D4	Al-12	
24JS121-3	174, 316	28.58	1.125	17.07	0.672	17.46	0.688	Silver	D4	Al-12	
24JS121-4	223	28.58	1.125	17.07	0.672	17.46	0.688	Silver	D4	Al-12	
24JS121-8	180, 195	28.58	1.125	17.07	0.672	17.46	0.688	Nickel	D4	Al-12	
24JS121-10	303	28.58	1.125	17.07	0.672	17.46	0.688	Nickel	D4	Al-12	
24JS128-1	58, 223	28.58	1.125	17.07	0.672	17.46	0.688	Silver	D4	Al-20	Captive Contact
24JS132-1	9, 214	38.10	1.500	20.64	0.813	19.05	0.750	Silver	D4	Al-81	
24JS132-2	8, 213	38.10	1.500	20.64	0.813	19.05	0.750	Silver	D4	Al-81	
24JS137-1	0.141 S.R.	28.58	1.125	17.07	0.672	17.46	0.688	Nickel	D4	Al-321	3
24JS137-2	0.085 S.R.	28.58	1.125	17.07	0.672	17.46	0.688	Nickel	D4	Al-321	3

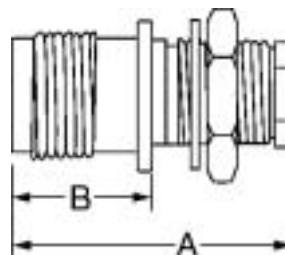
Note 1 - Plug-in/Clamp Cable Termination

Note 2 - Square Cut Cable Termination

Note 3 - Solder Bushing/Clamp Cable Termination

Description

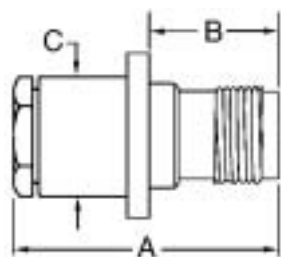
TNC 50 Ohm Cable Jack - Reverse Single Hole Mount Solder Straight



Ordering Data

TNC 50 Ohm Cable Jack - Reverse Single Hole Mount Solder Straight

Part Number	Cable RG-/U	Dimension				Finish	Mtg. Hole	Assembly Instructions
		A		B				
		mm	in.	mm	in.			
24JS141-1	0.085 DIA	23.02	0.906	14.29	0.563	Nickel	D8	Al-65
24JS141-2	0.141 DIA	23.02	0.906	14.29	0.563	Nickel	D8	Al-65

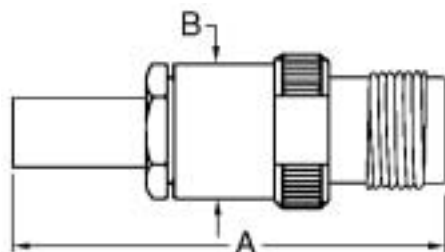


Description
TNC 50 Ohm Cable Jack -
Flange Mount Straight Cut Straight

Ordering Data
TNC 50 Ohm Cable Jack - Flange Mount Straight Cut Straight

Part Number	Cable RG-/U	Dimension						Finish	Mtg. Plate	Assembly Instructions	Note
		A		B		C					
		mm	in.	mm	in.	mm	in.				
24JF102-1	55, 58, 141, 142, 223	28.58	1.125	13.89	0.547	12.70	0.500	Silver	3A	AI-14	1
24JF103-1	58	28.58	1.125	13.89	0.547	12.70	0.500	Silver	3A	AI-12	
24JF103-2	59	28.58	1.125	13.89	0.547	12.70	0.500	Silver	3A	AI-12	
24JF103-3	174, 316	28.58	1.125	13.89	0.547	12.70	0.500	Silver	3A	AI-12	
24JF103-4	223	28.58	1.125	13.89	0.547	12.70	0.500	Silver	3A	AI-12	
24JF106-1	0.141 S.R.	28.58	1.125	13.89	0.547	12.70	0.500	Silver	3A	AI-21	2
24JF106-2	0.085 S.R.	28.58	1.125	13.89	0.547	12.70	0.500	Silver	3A	AI-21	2

Note 1 - Clamp Cable Termination
Note 2 - Plug-in/Clamp Cable Termination



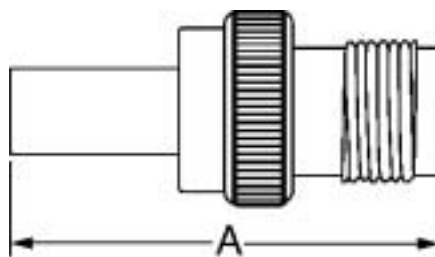
Description
TNC 50 Ohm Cable Jack - Long Crimp Straight

Ordering Data
TNC 50 Ohm Cable Jack - Long Crimp Straight

Part Number	Cable RG-/U	Crimp Tool Hex		Dimension				Finish	Assembly Instructions
		mm	in.	A		B			
				mm	in.	mm	in.		
24J106-1	58, 141	5.41	0.213	37.31	1.469	11.11	0.438	Silver	AI-37
24J106-2	59, 62, 140	6.48	0.255	37.31	1.469	11.11	0.438	Silver	AI-37
24J106-3	55, 142, 223	5.41	0.213	37.31	1.469	11.11	0.438	Silver	AI-37

Description

TNC 50 Ohm Cable Jack - Short Crimp Straight



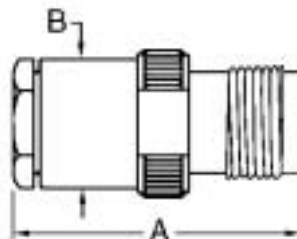
Ordering Data

TNC 50 Ohm Cable Jack - Short Crimp Straight

Part Number	Cable RG-/U	Crimp Tool Hex		Dimension A		Finish	Assembly Instructions	Note
		mm	in.	mm	in.			
24J107-1	58, 141	5.41	0.213	31.35	1.234	Silver	Al-26	
24J107-2	59, 62, 140	6.48	0.255	31.35	1.234	Silver	Al-26	
24J107-3	55, 142, 223	5.41	0.213	31.35	1.234	Silver	Al-26	
24J118-2	58	5.41	0.213	30.16	1.188	Silver	Al-26	Captive Contact
24J118-3	142, 223, 400	5.41	0.213	30.16	1.188	Silver	Al-26	Captive Contact
24J118-4	180	4.52	0.178	30.16	1.188	Silver	Al-26	Captive Contact
24J118-5	122	4.52	0.178	30.16	1.188	Silver	Al-26	Captive Contact

Description

TNC 50 Ohm Cable Jack - Straight Cut Straight



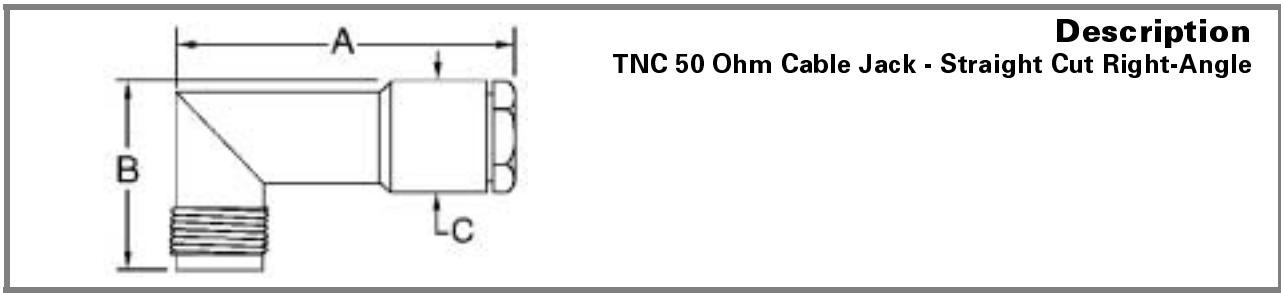
Ordering Data

TNC 50 Ohm Cable Jack - Straight Cut Straight

Part Number	Cable RG-/U	Dimension				Finish	Assembly Instructions	Note
		A		B				
		mm	in.	mm	in.			
24J102-1	58	28.58	1.125	12.70	0.500	Silver	Al-12	
24J102-2	59	28.58	1.125	12.70	0.500	Silver	Al-12	
24J102-5	223	28.58	1.125	12.70	0.500	Silver	Al-12	
24J102-7	180, 195	28.58	1.125	12.70	0.500	Silver	Al-12	
24J102-9	303	28.58	1.125	12.70	0.500	Silver	Al-12	
24J104-1	55, 58, 223	28.58	1.125	12.70	0.500	Silver	Al-12	1
24J105-1	59, 62, 71	28.58	1.125	12.70	0.500	Silver	Al-12	1
24J112-1	5, 212	36.51	1.438	19.05	0.750	Silver	Al-81	
24J112-4	9, 214	36.51	1.438	19.05	0.750	Silver	Al-81	
24J120-1	58, 141, 142, 223	28.58	1.125	12.70	0.500	Silver	Al-20	1 & 2

Note 1 - Clamp Cable Termination

Note 2 - Captive Contact



Description
TNC 50 Ohm Cable Jack - Straight Cut Right-Angle

Ordering Data
TNC 50 Ohm Cable Jack - Straight Cut Right-Angle

Part Number	Cable RG-/U	Dimension						Finish	Assembly Instructions
		A		B		C			
		mm	in.	mm	in.	mm	in.		
24J114-1	58	37.31	1.469	21.83	0.859	12.70	0.500	Silver	Al-12
24J114-3	59, 62	37.31	1.469	21.83	0.859	12.70	0.500	Silver	Al-12

TNC 50 Ohm Receptacles



Description
TNC 50 Ohm Receptacle Plug - Flange Mount Solder Straight

Ordering Data
TNC 50 Ohm Receptacle Plug - Flange Mount Solder Straight

Part Number	Dimension				Finish	Mtg. Plate
	A		B			
	mm	in.	mm	in.		
24PR104-1	30.16	1.188	21.83	0.859	Silver	2C
24PR105-1	30.16	1.188	21.43	0.844	Silver	1A
24PR106-1	30.16	1.188	21.43	0.844	Silver	2B



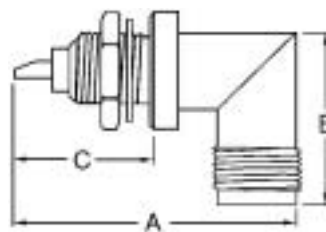
Description
TNC 50 Ohm Receptacle Jack - Single Hole Mount Solder Straight

Ordering Data
TNC 50 Ohm Receptacle Jack - Single Hole Mount Solder Straight

Part Number	Dimension				Finish	Mtg. Hole	Note
	A		B				
	mm	in.	mm	in.			
24JR104-1	26.99	1.063	12.30	0.484	Silver	D4	Isolated Ground
24JR105-1	26.99	1.063	19.05	0.750	Silver	D4	Isolated Ground
24JR113-1	26.99	1.063	11.91	0.469	Silver	D8	
24JR118-1	30.16	1.188	11.91	0.469	Silver	D8	
24JR120-1	26.99	1.063	12.30	0.484	Silver	D6	
24JR170-1	26.99	1.063	11.91	0.469	Silver	D5	M39012 Type
24JR170-2	30.16	1.188	11.91	0.469	Silver	D8	M39012 Type

Description

TNC 50 Ohm Receptacle Jack - Single Hole Mount
Solder Right-Angle



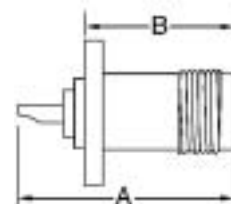
Ordering Data

TNC 50 Ohm Receptacle Jack - Single Hole Mount Solder Right-Angle

Part Number	Dimension						Finish	Mtg. Hole
	A		B		C			
	mm	in.	mm	in.	mm	in.		
24JR125-1	34.13	1.344	20.64	0.813	19.05	0.750	Silver	D7

Description

TNC 50 Ohm Receptacle Jack - Flange Mount Solder
Straight



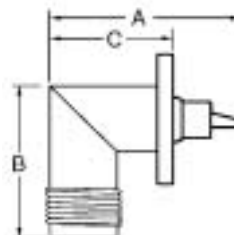
Ordering Data

TNC 50 Ohm Receptacle Jack - Flange Mount Solder Straight

Part Number	Dimension				Finish	Mtg. Plate
	A		B			
	mm	in.	mm	in.		
24JR112-1	26.99	1.063	17.07	0.672	Silver	2B
24JR122-1	29.37	1.156	18.26	0.719	Silver	3C
24JR124-1	26.99	1.063	18.26	0.719	Silver	3A
24JR144-1	26.99	1.063	17.86	0.703	Silver	1A
24JR160-1	22.23	0.875	13.49	0.531	Silver	3A

Description

TNC 50 Ohm Receptacle Jack - Flange Mount Solder
Right-Angle



Ordering Data

TNC 50 Ohm Receptacle Jack - Flange Mount Solder Right-Angle

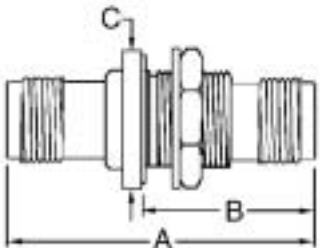
Part Number	Dimension						Finish	Mtg. Plate
	A		B		C			
	mm	in.	mm	in.	mm	in.		
24JR119-1	23.02	0.906	23.02	0.906	15.48	0.609	Silver	2B
24JR173-1	23.02	0.906	23.02	0.906	15.48	0.609	Nickel	3B

TNC 50 Ohm Adapters



Description
TNC 50 Ohm Adapter - Straight

Ordering Data				
TNC 50 Ohm Adapter - Straight				
Part Number	Adapter Ends	Dimension A		Finish
		mm	in.	
24A101-1	Plug-Plug	31.35	1.234	Silver



Description
TNC 50 Ohm Adapter - Single Hole Mount Straight

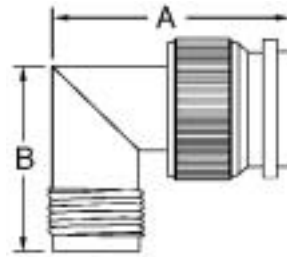
Ordering Data										
TNC 50 Ohm Adapter - Single Hole Mount Straight										
Part Number	Adapter Ends	Dimension						Finish	Mtg. Hole	Note
		A		B		C				
		mm	in.	mm	in.	mm	in.			
24AS102-1	Jack-Jack	32.54	1.281	20.24	0.797	15.88	0.625	Silver	D4	Isolated Ground
24AS104-1	Jack-Jack	32.54	1.281	18.65	0.734	19.05	0.750	Silver	D4	



Description
TNC 50 Ohm Adapter - Straight

Ordering Data				
TNC 50 Ohm Adapter - Straight				
Part Number	Adapter Ends	Dimension A		Finish
		mm	in.	
24A100-1	Jack-Jack	32.54	1.281	Silver

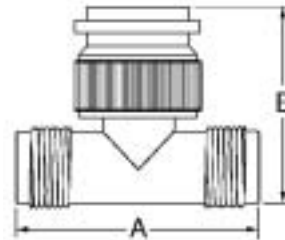
Description
TNC 50 Ohm Adapter - Right-Angle



Ordering Data
TNC 50 Ohm Adapter - Right-Angle

Part Number	Adapter Ends	Dimension				Finish
		A		B		
		mm	in.	mm	in.	
24AR100-1	Plug-Jack	26.19	1.031	20.24	0.797	Silver

Description
TNC 50 Ohm Adapter - Tee

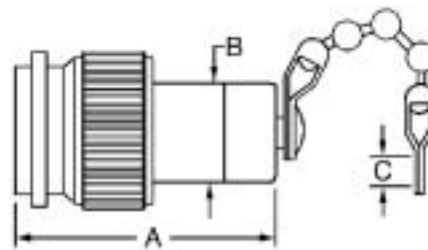


Ordering Data
TNC 50 Ohm Adapter - Tee

Part Number	Adapter Ends	Dimension				Finish
		A		B		
		mm	in.	mm	in.	
24AT100-1	Jack-Plug-Jack	32.54	1.281	26.19	1.031	Silver
24AT102-1	Jack-Jack-Jack	32.54	1.281	22.62	0.891	Silver

TNC 50 Ohm Termination

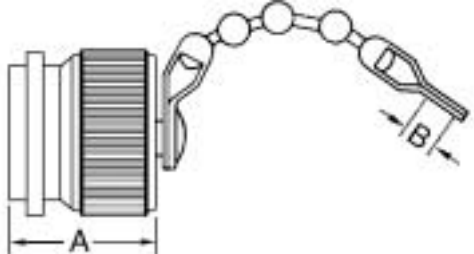
Description
TNC 50 Ohm Termination Plug - Straight



Ordering Data
TNC 50 Ohm Termination Plug - Straight

Part Number	Resistor ± 5%		Dimension						Finish	Chain Length	
	Ohm	Watt	A		B		C			mm	in.
			mm	in.	mm	in.	mm	in.			
24PO100-1	100	0.5	30.16	1.188	12.70	0.500	3.66	0.144	Silver	88.90	3.500
24PO100-2	51	0.5	30.18	1.188	12.70	0.500	3.66	0.144	Silver	88.90	3.500
24PO100-3	75	0.5	30.18	1.188	12.70	0.500	3.66	0.144	Silver	88.90	3.500
24PO100-4	91	0.5	30.18	1.188	12.70	0.500	3.66	0.144	Silver	88.90	3.500
24PO100-5	510	0.5	30.18	1.188	12.70	0.500	3.66	0.144	Silver	88.90	3.500
24PO100-6	1000	0.5	30.18	1.188	12.70	0.500	3.66	0.144	Silver	88.90	3.500
24PO103-2	75	0.5	30.18	1.188	12.70	0.500	No Chain		Silver	N/A	

TNC 50 Ohm Caps



Description
TNC 50 Ohm Cap Plug - Straight

Ordering Data							
TNC 50 Ohm Cap Plug - Straight							
Part Number	Dimension				Finish	Chain Length	
	A		B			mm	in.
	mm	in.	mm	in.			
24PC100-1	15.08	0.594	No Chain		Silver	N/A	
24PC101-1	15.08	0.594	3.66	0.144	Silver	63.50	2.500
24PC106-1	14.68	0.578	Shorting Cap - No Chain		Silver	N/A	
24PC107-1	14.68	0.578	3.66	0.144	Silver	63.50	2.500



Description
TNC 50 Ohm Cap Jack - Straight

Ordering Data							
TNC 50 Ohm Cap Jack - Straight							
Part Number	Dimension				Finish	Chain Length	
	A		B			mm	in.
	mm	in.	mm	in.			
24JC100-1	14.68	0.578	7.14	0.281	Silver	76.20	3.000
24JC102-1	16.67	0.656	Shorting Cap - No Chain		Nickel	N/A	

TNC Series

TRIAX

Threaded



Features

- Miniature
- Weatherproof
- Reduce noise levels
- Isolated ground
- Non-constant impedance

Options

- Small and Medium Sized Cables
- Two and Three lug versions available
- Straight, Right-Angle, Long Crimp, Short Crimp, Flange Mount, Single Hole Mount, Printed Circuit Board, Cap and Chain, Termination and Tee types available
- Adapters available

Specifications

- QQ-B-626
- MIL-STD-348
- MIL-STD-202
- QQ-C-530
- MIL-G-45204
- QQ-S-365
- ZZ-R-765

Mating Data

- RG-/U Cables (See page 30-9)

Technical Data

Materials

- Body Parts Brass, QQ-B-626, 1/2 HD.
- Contacts
 - ▶ Male Brass QQ-B-626, 1/2 HD.
 - ▶ Female Beryllium copper QQ-C-530
Heat treated to condition HT
- Insulators PTFE Fluorocarbon
- Gaskets Rubber ZZ-R-765

Plating

All parts plated to meet finish and corrosion requirements of MIL-C-39012

- Finish
 - ▶ Gold MIL-G-45204
 - ▶ Nickel IP23
 - ▶ Silver QQ-S-365
 - ▶ Tri-Alloy P20

Electrical Performance

- Impedance Non-constant
- Insulation Resistance 5,000 MΩ Minimum

- Voltage Rating 400 VRMS working Voltage
- Contact Resistance
 - ▶ Outer contact 0.5 mΩ Maximum
 - ▶ Center contact 5.0 mΩ Maximum
 - ▶ Intermediate contact 0.5 mΩ Maximum

Mechanical Performance

- Force to Engage and Disengage
 - ▶ Torque 2 inch-lbs Maximum
- Coupling Nut Retention Force 100 lbs Minimum
- Connector Durability 500 cycles Minimum

Operating Environment

- Temperature range -65°C to +165°C
- Corrosion (salt spray) . MIL-STD-202, method 101, cond. B
- Moisture Resistance MIL-STD-202, method 106

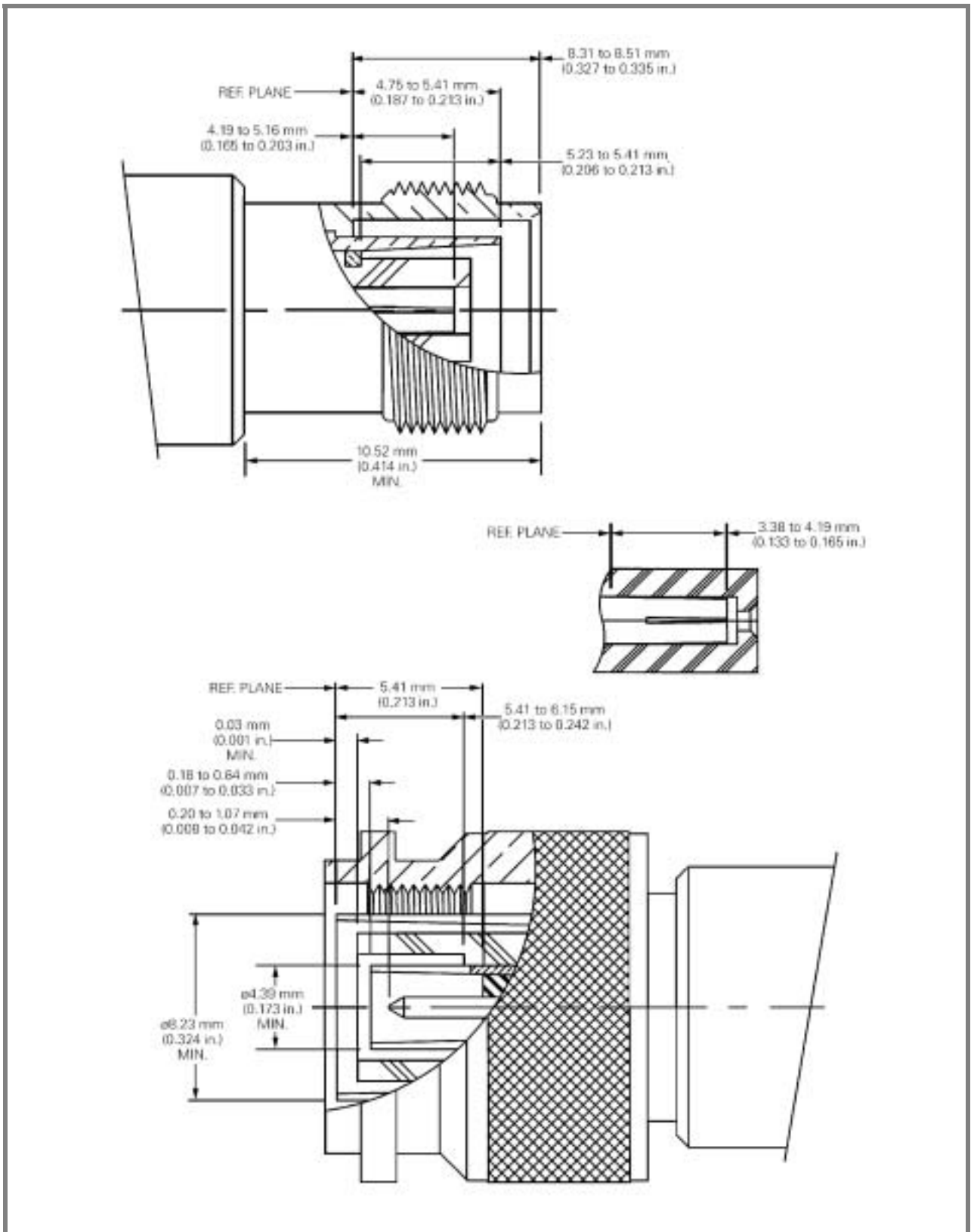
Packaging

- Single Bags
- Custom packaging available upon request

Customer Support Materials

Description	Order No.	Description	Order No.
Customer Product Drawings.....	By Part Number	Product Samples	Upon Request
Product Substitutions	Contact Technical Support	Test Data	Upon Request

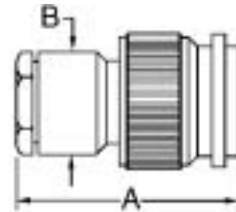
Interface Dimensions per MIL-STD-348



TNC TRIAX Cable Plugs

Description

TNC TRIAX Cable Plug - Straight Cut Straight



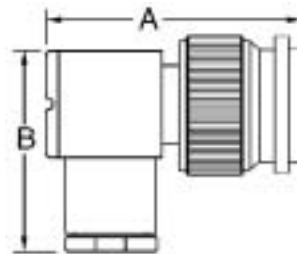
Ordering Data

TNC TRIAX Cable Plug - Straight Cut Straight

Part Number	Triaxial Cable	Dimension				Finish	Assembly Instructions	Note
		A		B				
		mm	in.	mm	in.			
47P101-2	Essex 21-738	36.91	1.453	12.70	0.500	Nickel	AI-15	Clamp Cable Termination
47P102-1	Essex 21-204	50.80	2.000	19.05	0.750	Nickel	AI-56	
47P104-1	TWC78-2	35.72	1.406	12.70	0.500	Nickel	AI-90	

Description

TNC TRIAX Cable Plug - Straight Cut Right-Angle



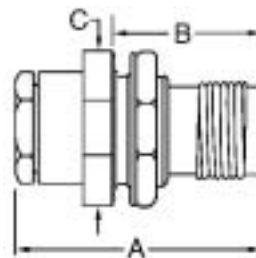
Ordering Data

TNC TRIAX Cable Plug - Straight Cut Right-Angle

Part Number	Triaxial Cable	Dimension				Finish	Assembly Instructions
		A		B			
		mm	in.	mm	in.		
47P105-1	TWC78-2	29.77	1.172	25.40	1.000	Nickel	AI-89

Description

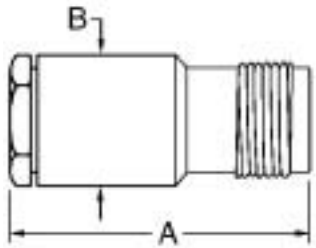
TNC TRIAX Cable Jack - Single Hole Mount Clamp Straight



Ordering Data

TNC TRIAX Cable Jack - Single Hole Mount Clamp Straight

Part Number	Triaxial Cable	Dimension						Finish	Mtg. Hole	Assembly Instructions
		A		B		C				
		mm	in.	mm	in.	mm	in.			
47JS101-2	Essex 21-738	36.51	1.438	17.07	0.672	17.46	0.688	Nickel	D4	AI-15

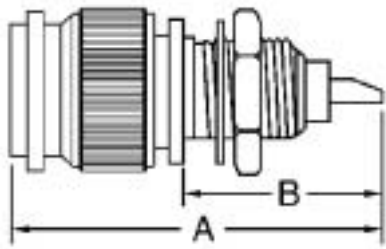


Description
TNC TRIAX Cable Jack - Clamp Straight

Ordering Data
TNC TRIAX Cable Jack - Clamp Straight

Part Number	Triaxial Cable	Dimension				Finish	Assembly Instructions
		A		B			
		mm	in.	mm	in.		
47J101-2	Essex 21-738	36.51	1.438	12.70	0.500	Nickel	Al-15

TNC TRIAX Receptacles



Description
TNC TRIAX Receptacle Plug - Single Hole Mount Solder Straight

Ordering Data
TNC TRIAX Receptacle Plug - Single Hole Mount Solder Straight

Part Number	Dimension				Finish	Mtg. Hole
	A		B			
	mm	in.	mm	in.		
47PR101-1	39.69	1.563	17.86	0.703	Nickel	D4



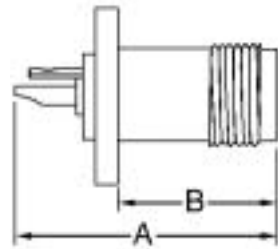
Description
TNC TRIAX Receptacle Jack - Single Hole Mount Solder Straight

Ordering Data
TNC TRIAX Receptacle Jack - Single Hole Mount Solder Straight

Part Number	Dimension				Finish	Mtg. Hole	Note
	A		B				
	mm	in.	mm	in.			
47JR102-1	31.75	1.250	10.72	0.422	Nickel	D4	Reverse Mount
47JR104-1	31.75	1.250	21.03	0.828	Nickel	D4	

Description

TNC TRIAX Receptacle Jack -
 Flange Mount Solder Straight



Ordering Data

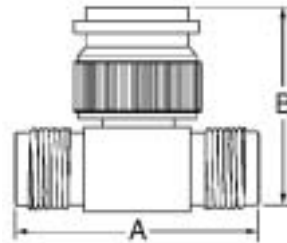
TNC TRIAX Receptacle Jack - Flange Mount Solder Straight

Part Number	Dimension				Finish	Mtg. Plate
	A		B			
	mm	in.	mm	in.		
47JR101-1	27.38	1.078	13.89	0.547	Nickel	2B

TNC TRIAX Adapter

Description

TNC TRIAX Adapter - Tee

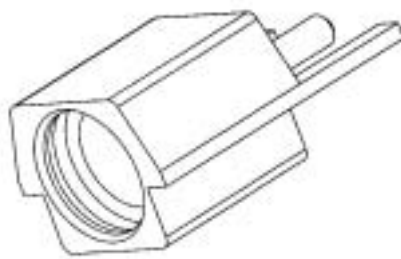
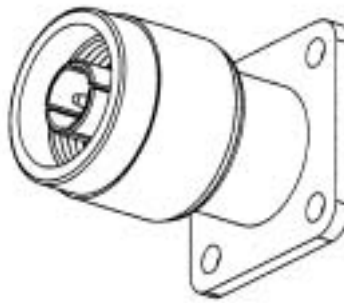
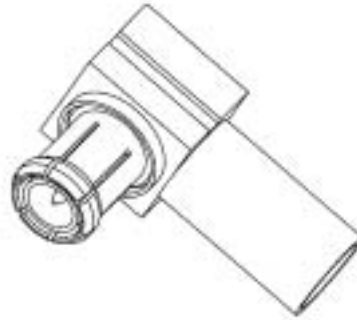
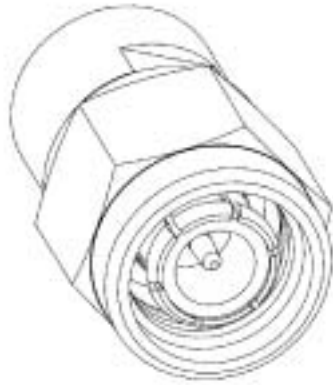


Ordering Data

TNC TRIAX Adapter - Tee

Part Number	Adapter Ends	Dimension				Finish	Note
		A		B			
		mm	in.	mm	in.		
47AT102-1	Jack-Jack-Jack	32.54	1.281	21.83	0.859	Nickel	1

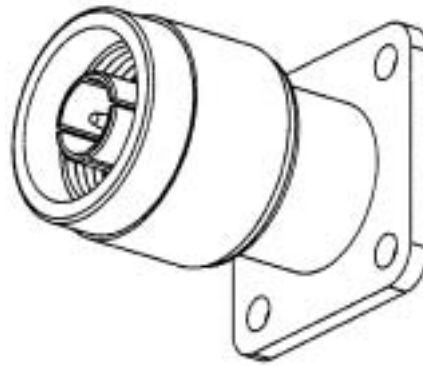
Note 1 - Cube Construction



N Series

50 Ohms

Screw Thread Coupling



Features

- Small
- Weatherproof
- For applications to 11 GHz
- Improved Vibration Characteristics
- Resistance to RF leakage
- Plugs incorporate safety wiring holes in the coupling sleeve so that they may be wired in place in severe vibration conditions.
- Made to MIL-C-39012

Options

- Small and Medium Sized Cables
- Straight, Right-Angle, Long Crimp, Short Crimp, Flange Mount, Single Hole Mount, Printed Circuit Board, Cap and Chain, Termination, Cross and Tee types available
- Adapters available

Specifications

- MIL-C-39012
- MIL-G-45204
- MIL-STD-348
- QQ-S-365
- MIL-STD-202
- ZZ-R-765
- QQ-C-530
- QQ-B-626

Mating Data

- RG-U Cables (See page 30-9)

Technical Data

Materials

- Body Parts Brass, QQ-B-626, 1/2 HD.
- Contacts
 - ▶ Male Brass QQ-B-626, 1/2 HD.
 - ▶ Female Beryllium copper QQ-C-530
- Insulators PTFE Fluorocarbon
- Gaskets Silicone Rubber ZZ-R-765

Plating

All parts plated to meet finish and corrosion requirements of MIL-C-39012

- Finish
 - ▶ Gold MIL-G-45204
 - ▶ Nickel IP23
 - ▶ Silver QQ-S-365
 - ▶ Tri-Alloy P20

Electrical Performance

- Impedance 50Ω nominal
- Frequency D.C. to 11 GHz
- Insulation Resistance 5,000 MΩ Minimum
- Voltage Rating 1000 VRMS
- Dielectric Withstanding 2,500 VRMS at sea level
- R.F. Leakage -90 dB Minimum at 2 to 3 GHz

- R.F. High Potential Withstanding Voltage 1500 VRMS at 5 to 7.5 MHz
- Voltage Standing Wave ratio (VSWR) 1.3 Maximum to 11 GHz
- Insertion Loss 0.15 dB Maximum at 10 GHz
- Contact Resistance
 - ▶ Outer contact 1.0 mΩ Maximum
 - ▶ Center contact 6.0 mΩ Maximum

Mechanical Performance

- Force to Engage and Disengage
 - ▶ Torque 3 inch-lbs Maximum
- Coupling Nut Retention Force 100 lbs Minimum
- Coupling Proof Torque 30 inch-lbs Minimum
- Connector Durability 500 cycles Minimum

Operating Environment

- Temperature range -65°C to +165°C
- Vibration MIL-STD-202, method 204, cond D. (20 G's)
- Shock MIL-STD-202, method 213, cond. I (100 G's)
- Thermal shock MIL-STD-202, method 107, cond. B -65°C to +115°C
- Corrosion (salt spray) . MIL-STD-202, method 101, cond. B
- Moisture Resistance MIL-STD-202, method 106

Packaging

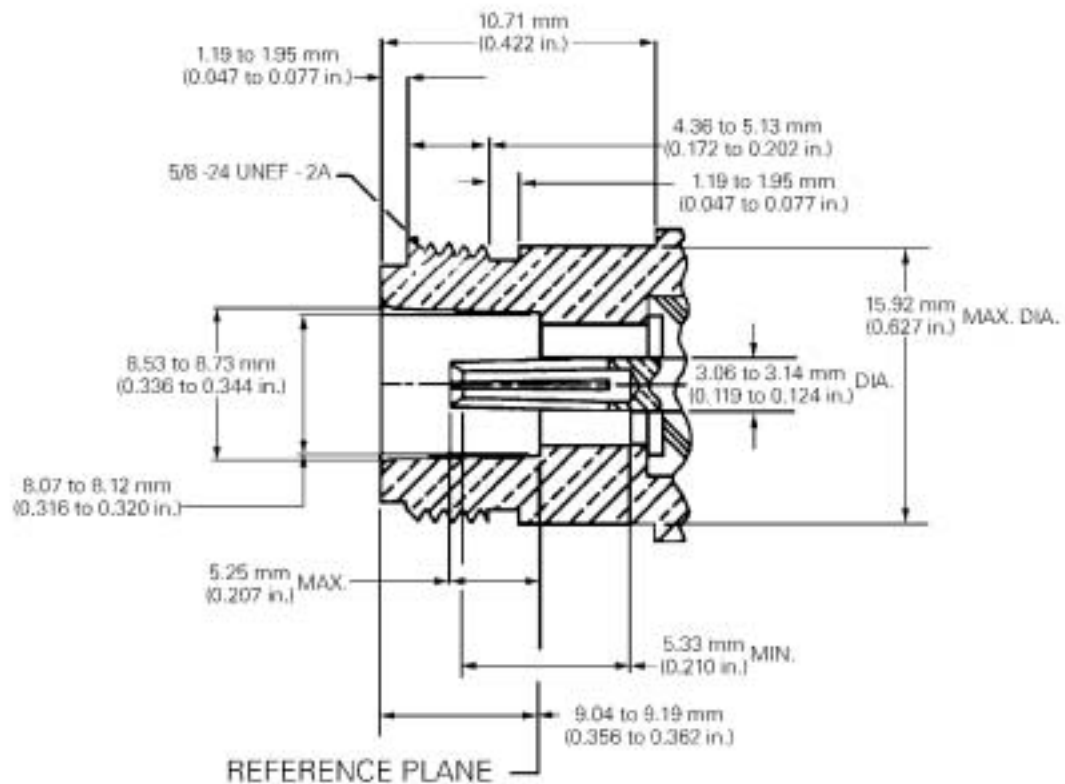
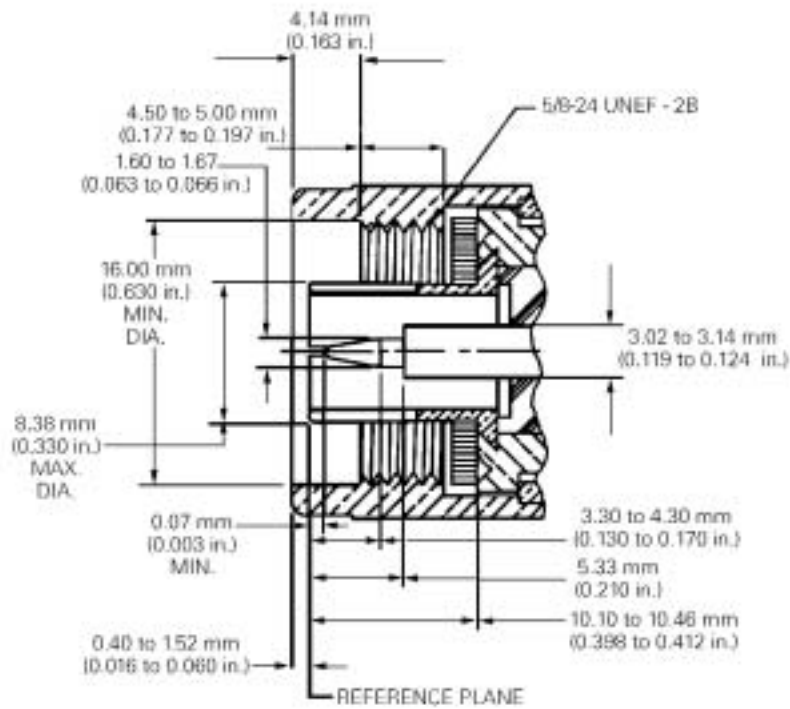
- Single Bags
- Custom packaging available upon request

Customer Support Materials

Description	Order No.
Customer Product Drawings.....	By Part Number
Product Substitutions	Contact Technical Support

Description	Order No.
Product Samples	Upon Request
Test Data	Upon Request

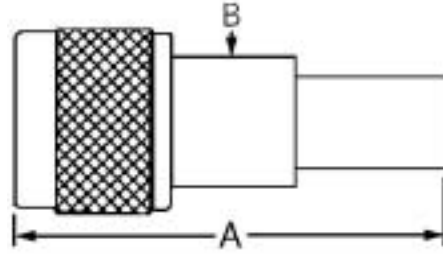
Interface Dimensions per MIL-STD-348



N 50 Ohm Cable Plugs

Description

N 50 Ohm Cable Plug - Short Crimp Straight



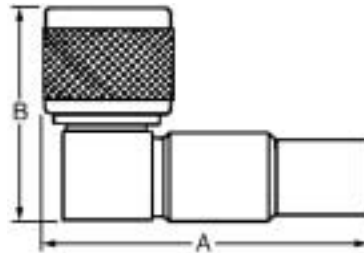
Ordering Data

N 50 Ohm Cable Plug - Short Crimp Straight

Part Number	Cable RG-/U	Crimp Tool Hex		Dimension				Finish	Assembly Instructions
				A		B			
		mm	in.	mm	in.	mm	in.		
25P158-1	8, 213	10.90	0.429	39.29	1.547	14.29	0.563	Nickel	AI-26
25P158-2	9, 214	10.90	0.429	39.37	1.547	14.29	0.563	Nickel	AI-26
25P158-4	58	5.41	0.213	39.37	1.547	14.29	0.563	Nickel	AI-26

Description

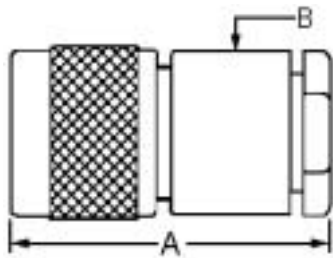
N 50 Ohm Cable Plug - Short Crimp Right-Angle



Ordering Data

N 50 Ohm Cable Plug - Short Crimp Right-Angle

Part Number	Cable RG-/U	Crimp Tool Hex		Dimension				Finish	Assembly Instructions
				A		B			
		mm	in.	mm	in.	mm	in.		
25P168-1	8, 213	10.90	0.429	53.98	2.125	32.54	1.281	Nickel	AI-268
25P168-2	9, 214	10.90	0.429	53.98	2.125	32.54	1.281	Nickel	AI-268
25P168-3	58	5.41	0.213	51.59	2.031	32.54	1.281	Nickel	AI-268



Description
N 50 Ohm Cable Plug - Straight Cut Straight

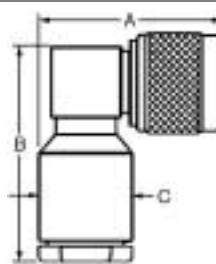
Ordering Data
N 50 Ohm Cable Plug - Straight Cut Straight

Part Number	Cable RG-/U	Dimension				Finish	Assembly Instructions	Note
		A		B				
		mm	in.	mm	in.			
25P104-1	0.500 Dia	38.10	1.500	19.05	0.750	Silver	AI-21	1
25P104-2	0.375 Dia	38.10	1.500	19.05	0.750	Silver	AI-21	1
25P106-1	8, 11, 213	38.10	1.500	19.05	0.750	Silver	AI-81	
25P106-2	9, 13, 214	38.10	1.500	19.05	0.750	Silver	AI-81	
25P107-1	58	34.93	1.375	12.70	0.500	Silver	AI-12	
25P107-2	223	34.93	1.375	12.70	0.500	Silver	AI-12	
25P107-4	180, 195	34.93	1.375	12.70	0.500	Silver	AI-12	
25P107-6	303	34.93	1.375	12.70	0.500	Silver	AI-12	
25P107-7	59, 62	34.93	1.375	12.70	0.500	Silver	AI-12	
25P124-1	0.141 S.R.	37.70	1.484	12.70	0.500	Silver	AI-21	1
25P148-1	58, 223	34.93	1.375	12.70	0.500	Silver	AI-343	2
25P153-1	178, 196	34.93	1.375	12.70	0.500	Silver	AI-55	
25P153-2	174, 316	34.93	1.375	12.70	0.500	Silver	AI-55	
25P157-1	393	38.10	1.500	19.05	0.750	Silver	AI-344	2

Note 1 - Plug-in/Clamp Cable Termination

Note 2 - Clamp Cable Termination

Description
N 50 Ohm Cable Plug - Straight Cut Right-Angle

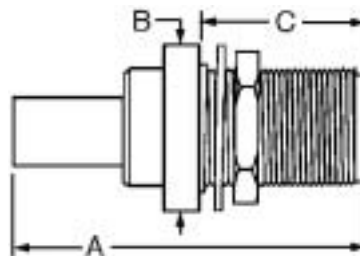


Ordering Data
N 50 Ohm Cable Plug - Straight Cut Right-Angle

Part Number	Cable RG-/U	Dimension						Finish	Assembly Instructions ^A	Note
		A		B		C				
		mm	in.	mm	in.	mm	in.			
25P109-1	55, 58	32.54	1.281	41.28	1.625	12.70	0.500	Silver	AI-31	1
25P109-2	59, 62, 71	32.54	1.281	41.28	1.625	12.70	0.500	Silver	AI-31	1
25P112-1	8, 9, 213, 214	34.93	1.375	43.66	1.719	19.05	0.750	Silver	AI-345	1
25P119-1	5, 21, 212, 222	41.28	1.625	39.69	1.563	19.05	0.750	Silver	AI-346	1
25P119-2	8, 9, 213, 214	41.28	1.625	39.69	1.563	19.05	0.750	Silver	AI-346	1
25P134-1	58	40.48	1.594	33.34	1.313	12.70	0.500	Silver	AI-19	
25P143-1	8, 213	34.93	1.375	40.48	1.594	19.05	0.750	Silver	AI-81	
25P143-2	9, 214	34.93	1.375	40.48	1.594	19.05	0.750	Silver	AI-81	
25P144-1	58	32.54	1.281	39.69	1.563	12.70	0.500	Silver	AI-81	
25P144-2	223	32.54	1.281	39.69	1.563	12.70	0.500	Silver	AI-81	

Note 1 - Clamp Cable Termination

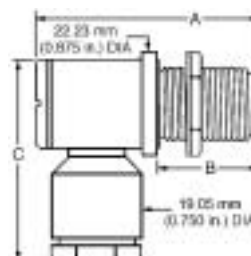
Description
N 50 Ohm Cable Jack - Single Hole Mount Short Crimp Straight



Ordering Data
N 50 Ohm Cable Jack - Single Hole Mount Short Crimp Straight

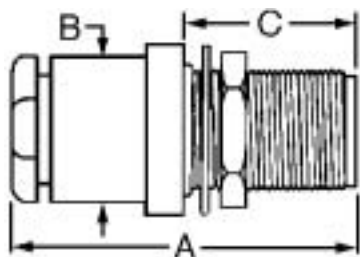
Part Number	Cable RG-/U	Crimp Tool Hex		Dimension						Finish	Mtg. Hole	Assembly Instructions
		mm	in.	A		B		C				
				mm	in.	mm	in.	mm	in.			
25JS134-1	8, 213	10.90	0.429	46.43	1.828	22.23	0.875	23.42	0.922	Nickel	DD1	AI-347
25JS134-2	9, 214	10.90	0.429	46.43	1.828	22.23	0.875	23.42	0.922	Nickel	DD1	AI-347

Description
N 50 Ohm Cable Jack - Single Hole Mount Clamp Right-Angle



Ordering Data
N 50 Ohm Cable Jack - Single Hole Mount Clamp Right-Angle

Part Number	Cable RG-/U	Dimension						Finish	Mtg. Hole	Assembly Instructions
		A		B		C				
		mm	in.	mm	in.	mm	in.			
25JS127-2	8, 9, 213, 214	39.69	1.563	21.83	0.859	42.07	1.656	Silver	DD1	AI-47



Description
N 50 Ohm Cable Jack -
Single Hole Mount Straight Cut Straight

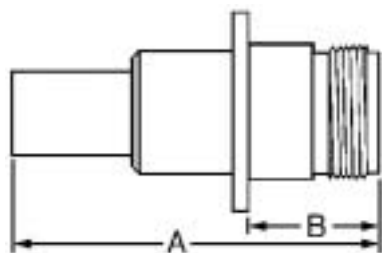
Ordering Data
N 50 Ohm Cable Jack - Single Hole Mount Straight Cut Straight

Part Number	Cable RG-/U	Dimension						Finish	Mtg. Hole	Assembly Instructions [^]	Note
		A		B		C					
		mm	in.	mm	in.	mm	in.				
25JS100-1	8, 11, 213	44.45	1.750	19.05	0.750	23.42	0.922	Silver	DD1	AI-81	
25JS100-2	9, 13, 214	44.45	1.750	19.05	0.750	23.42	0.922	Silver	DD1	AI-81	
25JS103-1	174, 179A, 187, 188	41.67	1.641	12.70	0.500	23.42	0.922	Silver	DD1	AI-102	1
25JS122-1	0.085 S.R.	41.67	1.641	12.70	0.500	23.42	0.922	Nickel	DD1	AI-398	2
25JS124-1	0.141 S.R.	39.69	1.563	12.70	0.500	23.42	0.922	Silver	DD1	AI-21	3
25JS126-1	174, 316	41.67	1.641	12.70	0.500	23.42	0.922	Silver	DD1	AI-159	1
25JS130-2	174, 316	42.86	1.688	12.70	0.500	23.42	0.922	Nickel	DD1	AI-66	
25JS130-4	58	42.86	1.688	12.70	0.500	23.42	0.922	Nickel	DD1	AI-12	
25JS130-6	303	42.86	1.688	12.70	0.500	23.42	0.922	Nickel	DD1	AI-12	
25JS130-7	59, 62	42.86	1.688	12.70	0.500	23.42	0.922	Nickel	DD1	AI-12	

Note 1 - Clamp Cable Termination

Note 2 - Solder-On Bushing Cable Termination

Note 3 - Plug-in/Clamp Cable Termination

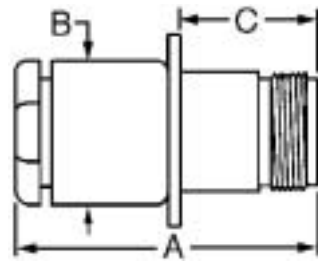


Description
N 50 Ohm Cable Jack -
Flange Mount Short Crimp Straight

Ordering Data
N 50 Ohm Cable Jack - Flange Mount Short Crimp Straight

Part Number	Cable RG-/U	Crimp Tool Hex	Dimension				Finish	Mtg. Plate	Assembly Instructions	
			A		B					
			mm	in.	mm	in.				
25JF113-1	9, 214	10.90	0.429	41.28	1.625	16.67	0.656	Silver	1A	AI-349
25JF113-2	8, 213	10.90	0.429	41.28	1.625	16.67	0.656	Silver	1A	AI-349

Description
N 50 Ohm Cable Jack -
Flange Mount Straight Cut Straight



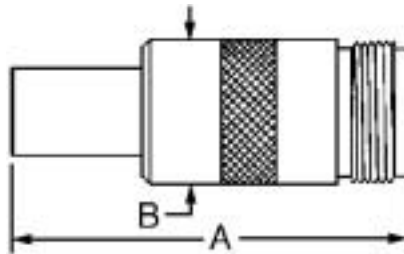
Ordering Data
N 50 Ohm Cable Jack - Flange Mount Straight Cut Straight

Part Number	Cable RG-/U	Dimension						Finish	Mtg. Plate	Assembly Instructions	Note
		A		B		C					
		mm	in.	mm	in.	mm	in.				
25JF105-1	58	39.69	1.563	19.05	0.750	16.67	0.656	Nickel	1A	AI-350	1
25JF108-1	58	35.32	1.391	12.70	0.500	16.67	0.656	Silver	1A	AI-12	
25JF108-2	223	35.32	1.391	12.70	0.500	16.67	0.656	Silver	1A	AI-12	
25JF110-2	0.141 S.R.	39.69	1.563	12.70	0.500	16.67	0.656	Silver	1A	AI-21	2
25JF111-1	8, 213	40.48	1.594	19.05	0.750	16.67	0.656	Silver	1A	AI-81	
25JF111-2	9, 214	40.48	1.594	19.05	0.750	16.67	0.656	Silver	1A	AI-81	

Note 1 - Clamp Cable Termination

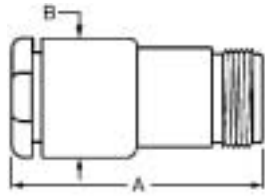
Note 2 - Plug-in/Clamp Cable Termination

Description
N 50 Ohm Cable Jack - Short Crimp Straight



Ordering Data
N 50 Ohm Cable Jack - Short Crimp Straight

Part Number	Cable RG-/U	Crimp Tool Hex		Dimension				Finish	Assembly Instructions
				A		B			
		mm	in.	mm	in.	mm	in.		
25J123-1	8, 213	10.90	0.429	41.28	1.625	15.88	0.625	Nickel	AI-351
25J123-2	9, 214	10.90	0.429	41.28	1.625	15.88	0.625	Nickel	AI-351



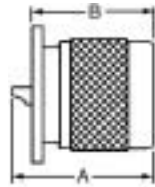
Description
N 50 Ohm Cable Jack - Straight Cut Straight

Ordering Data
N 50 Ohm Cable Jack - Straight Cut Straight

Part Number	Cable RG-/U	Dimension				Finish	Assembly Instructions	Note
		A		B				
		mm	in.	mm	in.			
25J106-1	55, 58	39.69	1.563	19.05	0.750	Silver	AI-352	1
25J111-1	8, 11, 213	40.48	1.594	19.05	0.750	Silver	AI-81	
25J111-2	9, 13, 214	40.48	1.594	19.05	0.750	Silver	AI-81	
25J112-1	58	35.32	1.391	12.70	0.500	Silver	AI-12	
25J112-2	223	35.32	1.391	12.70	0.500	Silver	AI-12	
25J112-5	303	35.32	1.391	12.70	0.500	Silver	AI-12	
25J112-6	59	35.32	1.391	12.70	0.500	Silver	AI-12	
25J122-1	58	35.32	1.391	12.70	0.500	Silver	AI-353	1

Note 1 - Clamp Cable Termination

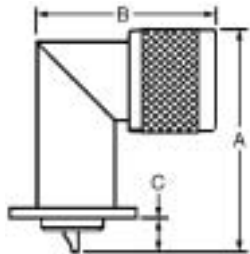
N 50 Ohm Receptacles



Description
N 50 Ohm Receptacle Plug - Flange Mount Solder Straight

Ordering Data
N 50 Ohm Receptacle Plug - Flange Mount Solder Straight

Part Number	Dimension				Finish	Mtg. Plate
	A		B			
	mm	in.	mm	in.		
25PR102-2	25.80	1.016	22.23	0.875	Silver	1A

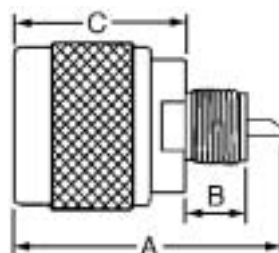


Description
N 50 Ohm Receptacle Plug - Flange Mount Solder Right-Angle

Ordering Data
N 50 Ohm Receptacle Plug - Flange Mount Solder Right-Angle

Part Number	Dimension						Finish	Mtg. Plate
	A		B		C			
	mm	in.	mm	in.	mm	in.		
25PR122-1	39.29	1.547	33.73	1.328	7.94	0.313	Silver	1A

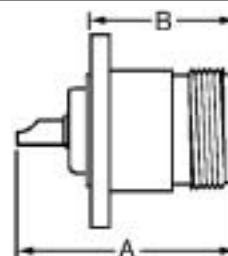
Description
N 50 Ohm Receptacle Plug -
Screw Mount Solder Straight



Ordering Data
N 50 Ohm Receptacle Plug - Screw Mount Solder Straight

Part Number	Dimension						Finish	Mtg. Hole
	A		B		C			
	mm	in.	mm	in.	mm	in.		
25PR113-1	33.34	1.313	7.54	0.297	22.23	0.875	Nickel	Threaded 3/8-32

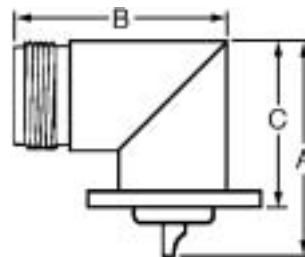
Description
N 50 Ohm Receptacle Jack -
Flange Mount Solder Straight



Ordering Data
N 50 Ohm Receptacle Jack - Flange Mount Solder Straight

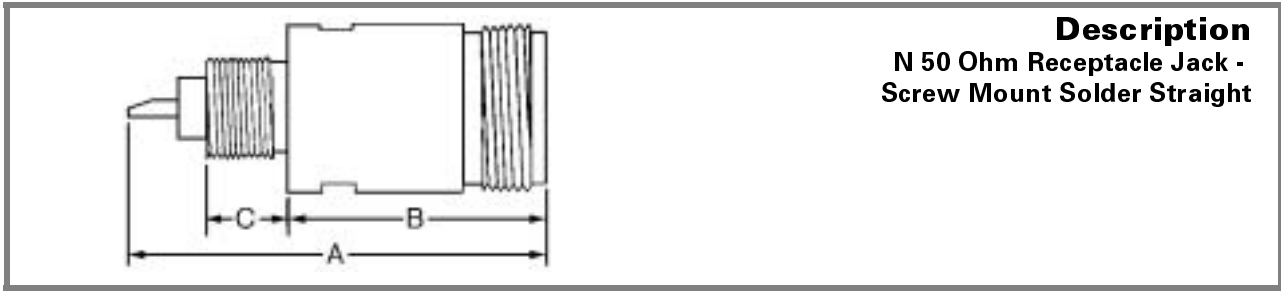
Part Number	Dimension				Finish	Mtg. Plate
	A		B			
	mm	in.	mm	in.		
25JR109-1	28.58	1.125	18.65	0.734	Silver	1A

Description
N 50 Ohm Receptacle Jack -
Flange Mount Solder Right-Angle



Ordering Data
N 50 Ohm Receptacle Jack - Flange Mount Solder Right-Angle

Part Number	Dimension						Finish	Mtg. Plate
	A		B		C			
	mm	in.	mm	in.	mm	in.		
25JR117-1	30.96	1.219	36.91	1.453	28.97	1.141	Silver	1A



Description
N 50 Ohm Receptacle Jack -
Screw Mount Solder Straight

Ordering Data

N 50 Ohm Receptacle Jack - Screw Mount Solder Straight

Part Number	Dimension						Finish	Mtg. Hole
	A		B		C			
	mm	in.	mm	in.	mm	in.		
25JR140-1	35.32	1.391	24.21	0.953	7.54	0.297	Nickel	Threaded 3/8-32
25JR161-1	30.56	1.203	15.88	0.625	7.54	0.297	Nickel	Threaded 3/8-32

N 50 Ohm Adapters



Description
N 50 Ohm Adapter - Straight

Ordering Data

N 50 Ohm Adapter - Straight

Part Number	Adapter Ends	Dimension A		Finish
		mm	in.	
25A100-1	Plug-Plug	40.48	1.594	Silver
25A107-2	Plug-Plug	40.48	1.594	Nickel



Description
N 50 Ohm Adapter - Right-Angle

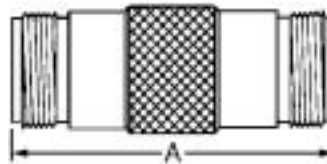
Ordering Data

N 50 Ohm Adapter - Right-Angle

Part Number	Adapter Ends	Dimension				Finish
		A		B		
		mm	in.	mm	in.	
25AR100-1	Plug-Plug	34.93	1.375	34.93	1.375	Silver

N Series
50 Ohm - Adapter

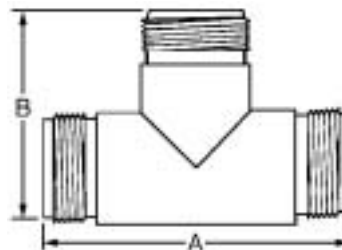
Description
N 50 Ohm Adapter - Straight



Ordering Data
N 50 Ohm Adapter - Straight

Part Number	Adapter Ends	Dimension A		Finish
		mm	in.	
25A101-1	Jack-Jack	44.45	1.750	Silver
25A108-2	Jack-Jack	47.63	1.875	Passivated

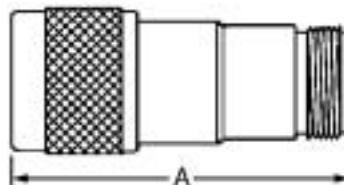
Description
N 50 Ohm Adapter - Tee



Ordering Data
N 50 Ohm Adapter - Tee

Part Number	Adapter Ends	Dimension				Finish
		A		B		
		mm	in.	mm	in.	
25AT100-1	Jack-Jack-Jack	44.45	1.750	30.96	1.219	Silver

Description
N 50 Ohm Adapter - Straight



Ordering Data
N 50 Ohm Adapter - Straight

Part Number	Adapter Ends	Dimension A		Finish
		mm	in.	
25A102-1	50Ω Plug-75Ω Jack	42.86	1.688	Nickel



Description
N 50 Ohm Adapter - Right-Angle

Ordering Data
N 50 Ohm Adapter - Right-Angle

Part Number	Adapter Ends	Dimension				Finish	Note
		A		B			
		mm	in.	mm	in.		
25AR101-1	Plug-Jack	30.16	1.188	34.93	1.375	Silver	
25AR102-1	Plug-Jack	32.15	1.266	32.54	1.281	Silver	1
25AR102-2	Plug-Jack	32.15	1.266	32.54	1.281	Silver	1

Note 1 - Cube Body Style

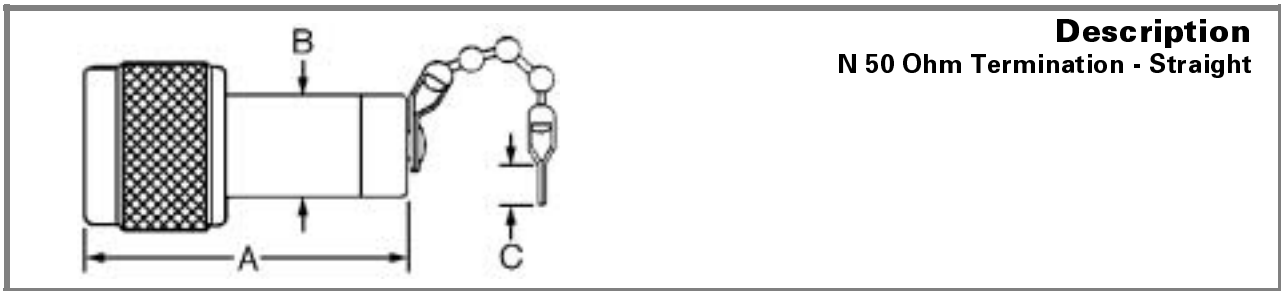


Description
N 50 Ohm Adapter - Tee

Ordering Data
N 50 Ohm Adapter - Tee

Part Number	Adapter Ends	Dimension				Finish
		A		B		
		mm	in.	mm	in.	
25AT101-1	Jack-Plug-Jack	44.45	1.750	0.88	1.453	Silver

N 50 Ohm Termination



Description
N 50 Ohm Termination - Straight

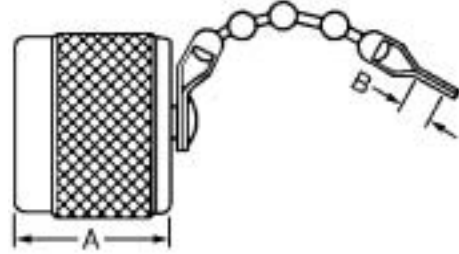
Ordering Data
N 50 Ohm Termination - Straight

Part Number	Resistor		Dimension						Finish	Chain Length	
			A		B		C			mm	in.
	Ohm	Watt	mm	in.	mm	in.	mm	in.			
25PO100-1	51	0.5	38.10	1.500	12.70	0.500	3.66	0.144	Silver	88.90	3.500
25PO105-1	51	0.5	38.10	1.500	12.70	0.500	No Chain		Nickel	N/A	

N 50 Ohm Cap

Description

N 50 Ohm Cap Plug - Straight



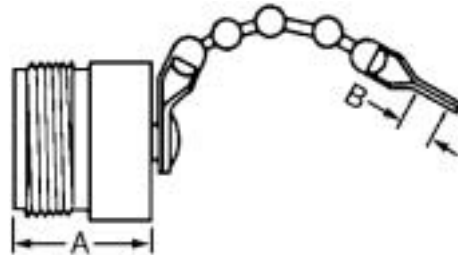
Ordering Data

N 50 Ohm Cap Plug - Straight

Part Number	Dimension				Finish	Chain Length	
	A		B			mm	in.
	mm	in.	mm	in.			
25PC100-1	11.11	0.438	3.66	0.144	Silver	63.50	2.500
25PC101-2	11.11	0.438	No Chain		Silver	N/A	
25PC103-1	18.64	0.734	Shorting Cap - No Chain		Nickel	N/A	

Description

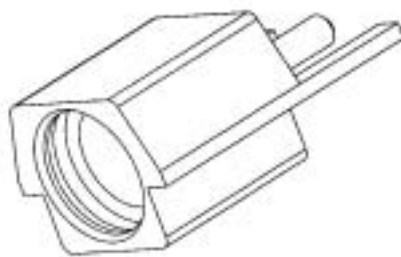
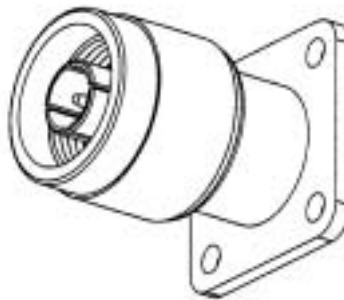
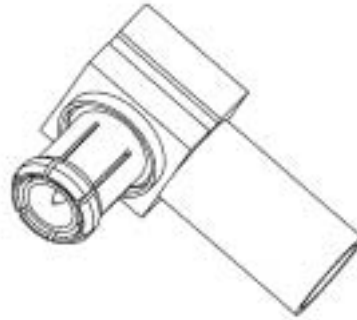
N 50 Ohm Cap Jack - Straight



Ordering Data

N 50 Ohm Cap Jack - Straight

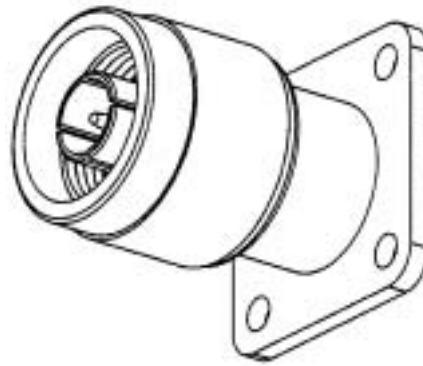
Part Number	Dimension				Finish	Chain Length	
	A		B			mm	in.
	mm	in.	mm	in.			
25JC100-1	17.46	0.688	3.66	0.144	Silver	63.50	2.500



N Series

75 Ohms

Screw Thread Coupling



Features

- Small
- Weatherproof
- For applications below 2 GHz

Options

- Small and Medium Sized Cables
- Straight, Right-Angle, Long Crimp, Short Crimp, Flange Mount, Single Hole Mount, Printed Circuit Board, Cap and Chain, Termination and Tee types available
- Adapters available

Specifications

- QQ-B-626
- MIL-STD-348
- MIL-STD-202
- MIL-G-45204
- QQ-S-365
- ZZ-R-765

Mating Data

- RG-/U Cables (See page 30-9)

Technical Data

Materials

- Body Parts Brass, QQ-B-626, 1/2 HD.
- Contacts
 - ▶ Male Brass QQ-B-626, 1/2 HD.
 - ▶ Female Beryllium copper QQ-C-530
Heat treated to condition HT
- Insulators PTFE Fluorocarbon
- Gaskets Rubber ZZ-R-765

Plating

All parts plated to meet finish and corrosion requirements of MIL-C-39012

- Finish
 - ▶ Gold MIL-G-45204
 - ▶ Nickel IP23
 - ▶ Silver QQ-S-365
 - ▶ Tri-Alloy P20

Electrical Performance

- Impedance 75Ω nominal
- Frequency Range 0 to 2 GHz

- Insulation Resistance 5,000 MΩ Minimum
- Voltage Rating 1000 VRMS working Voltage
- Dielectric Withstanding 1,500 VRMS at sea level
- Contact Resistance
 - ▶ Outer contact 0.2 mΩ Maximum
 - ▶ Center contact 1.0 mΩ Maximum

Mechanical Performance

- Force to Engage and Disengage
 - ▶ Torque 3 inch-lbs Maximum
- Coupling Nut Retention Force 100 lbs Minimum
- Connector Durability 500 cycles Minimum

Operating Environment

- Temperature range -65°C to +165°C
- Corrosion (salt spray) . MIL-STD-202, method 101, cond. B
- Moisture Resistance MIL-STD-202, method 106

Packaging

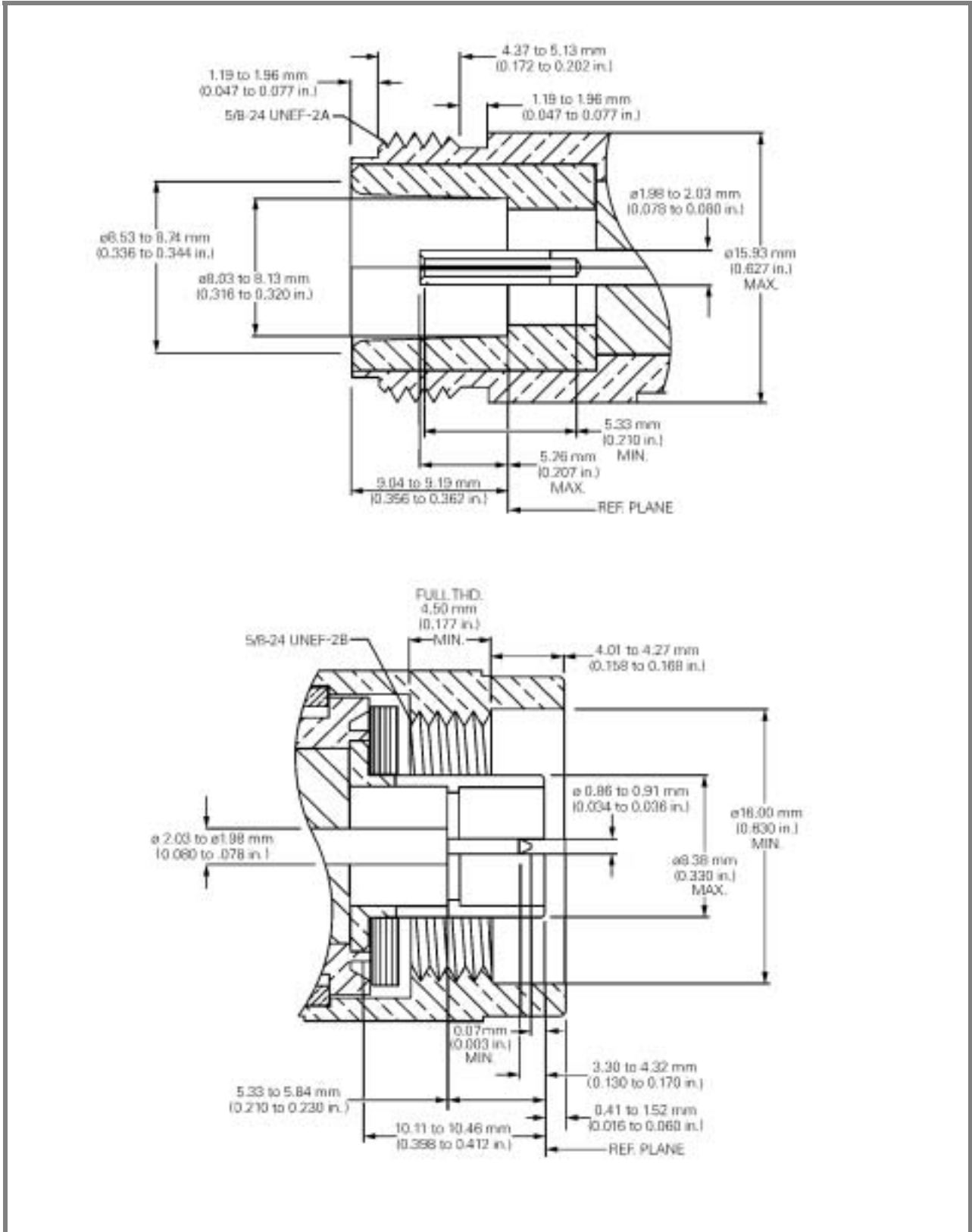
- Single Bags
- Custom packaging available upon request.

Customer Support Materials

Description	Order No.
Customer Product Drawings	By Part Number
Product Substitutions	Contact Technical Support

Description	Order No.
Product Samples	Upon Request
Test Data	Upon Request

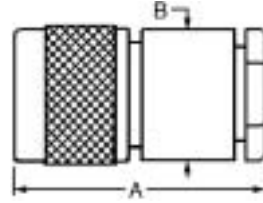
Interface Dimensions per MIL-STD-348



N 75 Ohm Cable Plugs

Description

N 75 Ohm Cable Plug - Straight Cut Straight



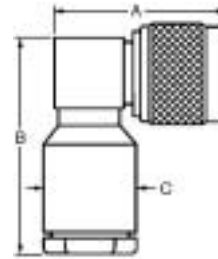
Ordering Data

N 75 Ohm Cable Plug - Straight Cut Straight

Part Number	Cable RG-/U	Dimension				Finish	Assembly Instructions	Note
		A		B				
		mm	in.	mm	in.			
25P164-1	59	34.93	1.375	12.70	0.500	Nickel	AI-258	Clamp Cable Termination
25P165-1	59, 62	34.93	1.375	12.70	0.500	Silver	AI-12	
25P171-1	216	38.10	1.500	19.05	0.750	Nickel	AI-81	
25P171-2	11, Belden 8238	38.10	1.500	19.05	0.750	Nickel	AI-81	

Description

N 75 Ohm Cable Plug - Straight Cut Right-Angle



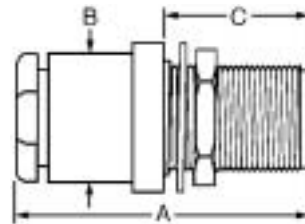
Ordering Data

N 75 Ohm Cable Plug - Straight Cut Right-Angle

Part Number	Cable RG-/U	Dimension						Finish	Assembly Instructions
		A		B		C			
		mm	in.	mm	in.	mm	in.		
25P172-1	216	34.93	1.375	40.48	1.594	19.05	0.750	Nickel	AI-81

Description

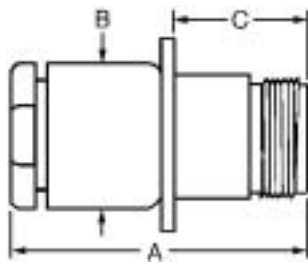
N 75 Ohm Cable Jack - Single Hole Mount Clamp Straight



Ordering Data

N 75 Ohm Cable Jack - Single Hole Mount Clamp Straight

Part Number	Cable RG-/U	Dimension						Finish	Mtg. Hole	Assembly Instructions
		A		B		C				
		mm	in.	mm	in.	mm	in.			
25JS111-1	59, 62	41.67	1.641	12.70	0.500	23.42	0.922	Silver	DD1	AI-301
25JS137-1	187, 179	41.67	1.641	12.70	0.500	23.42	0.922	Nickel	DD1	AI-159

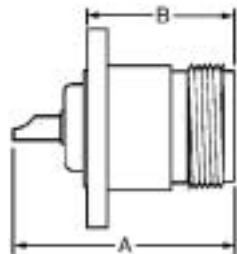


Description
N 75 Ohm Cable Jack -
Flange Mount Clamp Straight

Ordering Data

N 75 Ohm Cable Jack - Flange Mount Clamp Straight

Part Number	Cable RG-/U	Dimension						Finish	Mtg. Plate	Assembly Instructions
		A		B		C				
		mm	in.	mm	in.	mm	in.			
25JF104-1	59	35.32	1.391	12.70	0.500	16.67	0.656	Silver	1A	AI-354

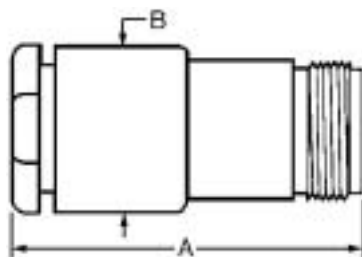


Description
N 75 Ohm Cable Jack -
Flange Mount Solder Straight

Ordering Data

N 75 Ohm Cable Jack - Flange Mount Solder Straight

Part Number	Dimension				Finish	Mtg. Plate
	A		B			
	mm	in.	mm	in.		
25JR116-1	28.58	1.125	18.65	0.734	Nickel	1A
25JR152-1	28.58	1.125	22.23	0.875	Silver	2B



Description
N 75 Ohm Cable Jack - Straight Cut Straight

Ordering Data

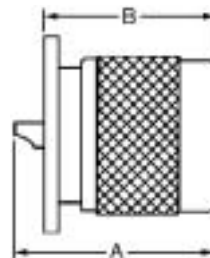
N 75 Ohm Cable Jack - Straight Cut Straight

Part Number	Cable RG-/U	Dimension				Finish	Assembly Instructions
		A		B			
		mm	in.	mm	in.		
25J124-1	59, 62	35.32	1.391	12.70	0.500	Silver	AI-12

N 75 Ohm Cable Receptacle

Description

N 75 Ohm Receptacle Plug - Flange Mount Solder Straight



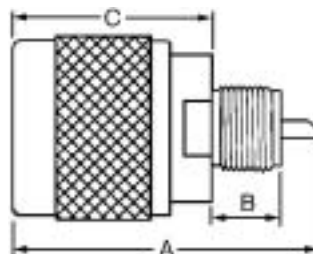
Ordering Data

N 75 Ohm Receptacle Plug - Flange Mount Solder Straight

Part Number	Dimension				Finish	Mtg. Plate
	A		B			
	mm	in.	mm	in.		
25PR104-1	27.78	1.094	22.23	0.875	Silver	1A

Description

N 75 Ohm Receptacle Plug - Screw Mount Solder Straight



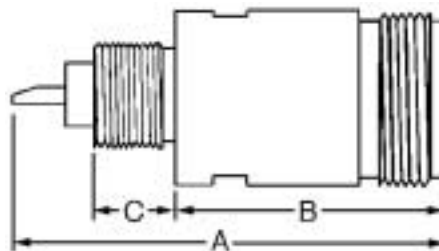
Ordering Data

N 75 Ohm Receptacle Plug - Screw Mount Solder Straight

Part Number	Dimension						Finish	Mtg. Hole
	A		B		C			
	mm	in.	mm	in.	mm	in.		
25PR114-1	33.34	1.313	7.54	0.297	22.23	0.875	Nickel	Threaded 3/8-32

Description

N 75 Ohm Receptacle Jack - Screw Mount Solder Straight



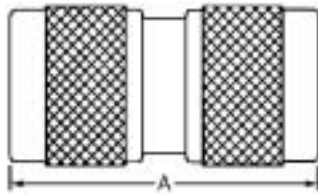
Ordering Data

N 75 Ohm Receptacle Jack - Screw Mount Solder Straight

Part Number	Dimension						Finish	Mtg. Hole
	A		B		C			
	mm	in.	mm	in.	mm	in.		
25JR134-1	38.50	1.516	24.13	0.950	7.62	0.300	Nickel	Threaded 3/8-32

N 75 Ohm Adapters

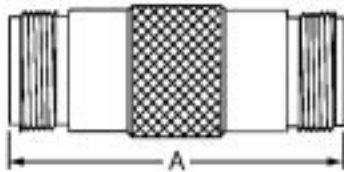
Description
N 75 Ohm Adapter - Straight



Ordering Data
N 75 Ohm Adapter - Straight

Part Number	Adapter Ends	Dimension A		Finish
		mm	in.	
25A105-4	Plug-Plug	40.48	1.594	Nickel

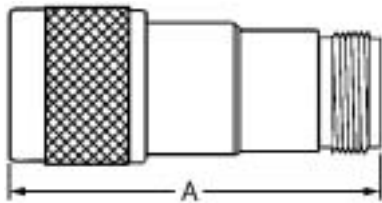
Description
N 75 Ohm Adapter - Straight



Ordering Data
N 75 Ohm Adapter - Straight

Part Number	Adapter Ends	Dimension A		Finish
		mm	in.	
25A106-4	Jack-Jack	47.63	1.875	Passivated

Description
N 75 Ohm Adapter - Straight



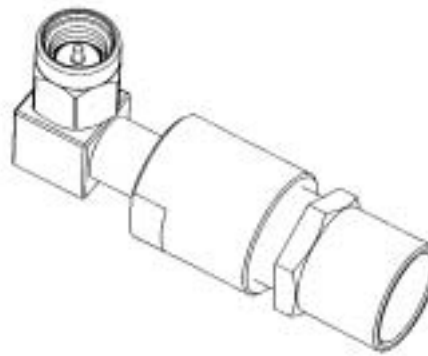
Ordering Data
N 75 Ohm Adapter - Straight

Part Number	Adapter Ends	Dimension A		Finish
		mm	in.	
25A102-1	50Ω Plug-75Ω Jack	42.86	1.688	Nickel

SMA Series

50 Ohms

Threaded Coupling



Features

- Sub Miniature
- For applications to 18 GHz
- Resistance to RF leakage
- Made to MIL-C-39012

Options

- Small and Medium Sized Cables; 0.141 and 0.085 diameter semi-rigid cable as well as RG174, 188, 316 and RD316
- Straight, Right-Angle, Long Crimp, Short Crimp, Flange Mount, Single Hole Mount, Printed Circuit Board, Cap and Chain, Termination, Cross and Tee types available
- Adapters available

Specifications

- MIL-C-39012
- MIL-G-45204
- MIL-STD-348
- QQ-S-365
- MIL-STD-202
- ZZ-R-765
- QQ-C-530

Mating Data

- RG-/U Cables (See page 30-9)

Technical Data

Materials

- Body Parts Non-Magnetic Stainless Steel, ASTM, Class 303
Brass
- Contacts
 - ▶ All Beryllium copper
QQ-C-530
Brass
- Insulators PTFE Fluorocarbon
- Gaskets Silicone Rubber
ZZ-R-765

Plating

All parts plated to meet finish and corrosion requirements of MIL-C-39012

- Finish
 - ▶ Gold MIL-G-45204
 - ▶ Nickel IP23
 - ▶ Tri-Alloy P20

Electrical Performance

- Impedance 50Ω nominal
- Frequency D.C. to 18 GHz
- Insulation Resistance 5,000 MΩ Minimum
- Voltage Rating 500 VRMS
- Dielectric Withstanding 1,000 VRMS at sea level
- R.F. Leakage -(60-f GHz) dB maximum

- R.F. High Potential
Withstanding Voltage 670 VRMS at 5 MHz
- Voltage Standing Wave ratio
(VSWR) 1.15 + 0.01f(GHz) Maximum
- Insertion Loss 0.06 times sq.root f GHz dB Maximum
- Contact Resistance
 - ▶ Outer contact 3.0 mΩ maximum
 - ▶ Center contact 2.0 mΩ maximum

Mechanical Performance

- Force to Engage and Disengage
 - ▶ Torque 2 inch-lbs Maximum
- Coupling Nut Retention Force 60 lbs minimum
- Coupling Proof Torque 15 inch-lbs Minimum
- Connector Durability 500 cycles minimum

Operating Environment

- Temperature range -65°C to +165°C
- Vibration MIL-STD-202, method 204, cond D
- Shock MIL-STD-202, method 213, cond. I
- Thermal shock MIL-STD-202, method 107, cond. B
- Corrosion (salt spray) MIL-STD-202, method 101, cond. B
- Moisture Resistance MIL-STD-202, method 106

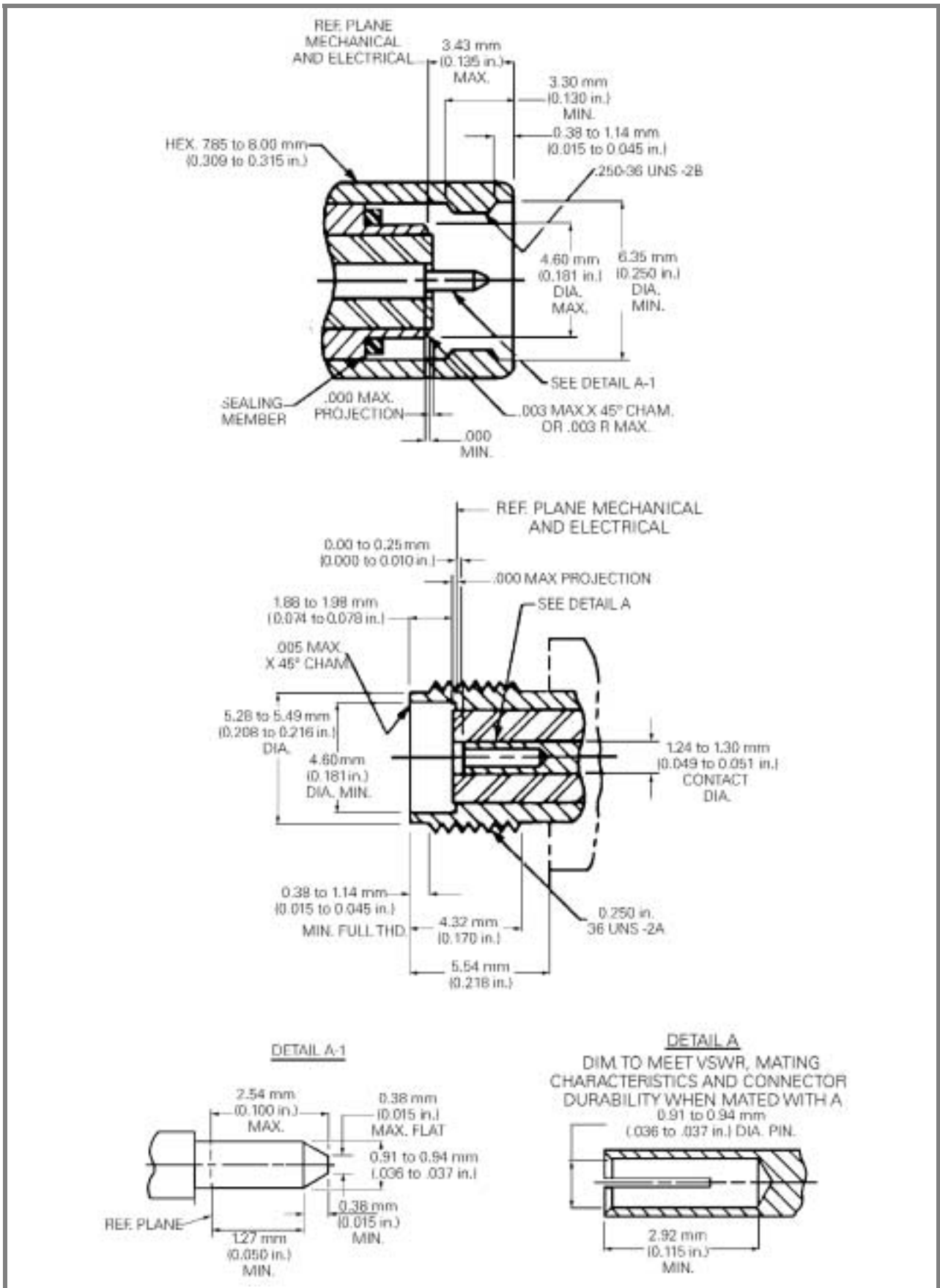
Packaging

- Single Bags
- Custom packaging available upon request.

Customer Support Materials

Description	Order No.	Description	Order No.
Customer Product Drawings	By Part Number	Product Samples	Upon Request
Product Substitutions	Contact Technical Support	Test Data	Upon Request

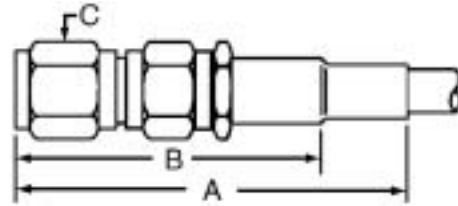
Interface Dimensions per MIL-STD-348



SMA 50 Ohm Cable Plugs

Description

SMA 50 Ohm Cable Plug - Long Crimp Straight



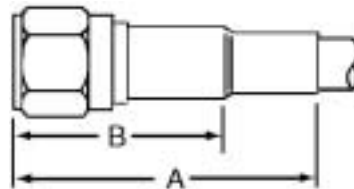
Ordering Data

SMA 50 Ohm Cable Plug - Long Crimp Straight

Part Number	Cable RG-/U	Crimp Tool Hex		Dimension						Finish	Assembly Instructions
				A		B		C			
		mm	in.	mm	in.	mm	in.	mm	in.		
39P132-10	142	5.41	0.213	33.34	1.313	25.80	1.016	7.94	0.313	Passivated	AI-312
39P132-3	316	3.25	0.128	33.34	1.313	25.80	1.016	7.94	0.313	Passivated	AI-312

Description

SMA 50 Ohm Cable Plug - Short Crimp Straight



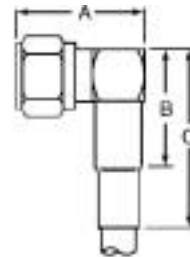
Ordering Data

SMA 50 Ohm Cable Plug - Short Crimp Straight

Part Number	Cable RG-/U	Dimension				Finish	Assembly Instructions
		A		B			
		mm	in.	mm	in.		
39P112-1	0.141 S.R.	17.46	0.688	7.94	0.313	Gold	AI-313

Description

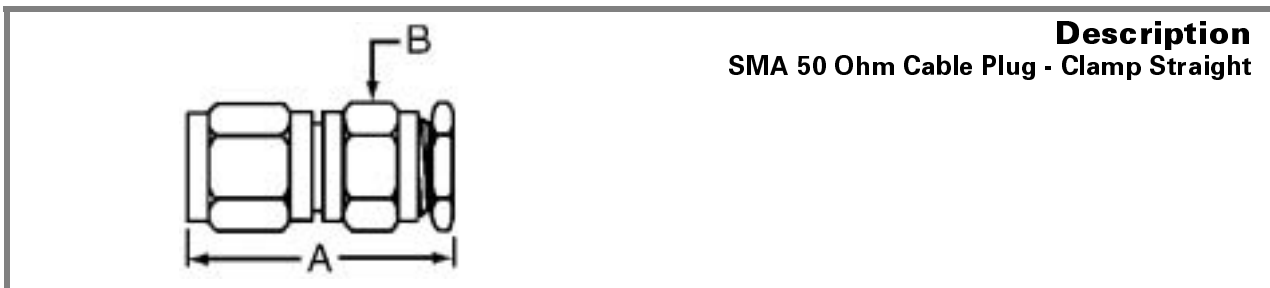
SMA 50 Ohm Cable Plug - Short Crimp Right-Angle



Ordering Data

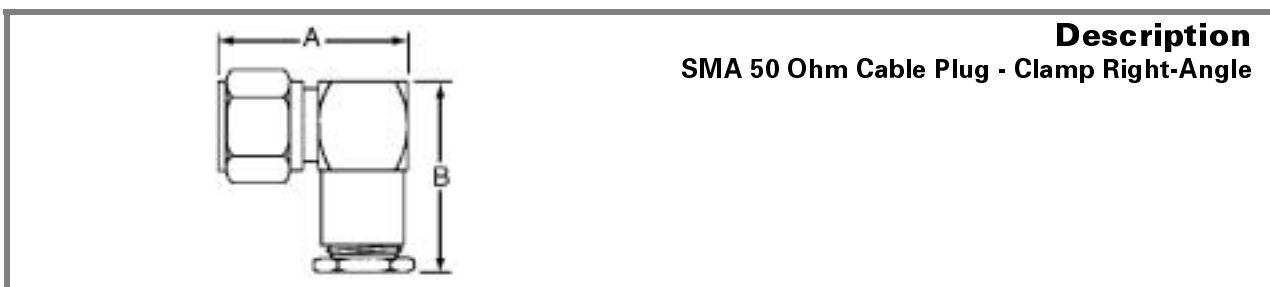
SMA 50 Ohm Cable Plug - Short Crimp Right-Angle

Part Number	Cable RG-/U	Crimp Tool Hex		Dimension						Finish	Assembly Instructions
				A		B		C			
		mm	in.	mm	in.	mm	in.	mm	in.		
39P121-6	174, 316	3.25	0.128	17.02	0.670	14.99	0.590	23.90	0.940	Passivated	AI-53
39P121-8	RD-316	3.84	0.151	17.02	0.670	14.99	0.590	23.90	0.940	Passivated	AI-53
39P121-9	55, 142	5.41	0.213	17.02	0.670	14.99	0.590	23.90	0.940	Passivated	AI-53
39P121-12	58	5.41	0.213	17.02	0.670	14.99	0.590	23.90	0.940	Passivated	AI-53



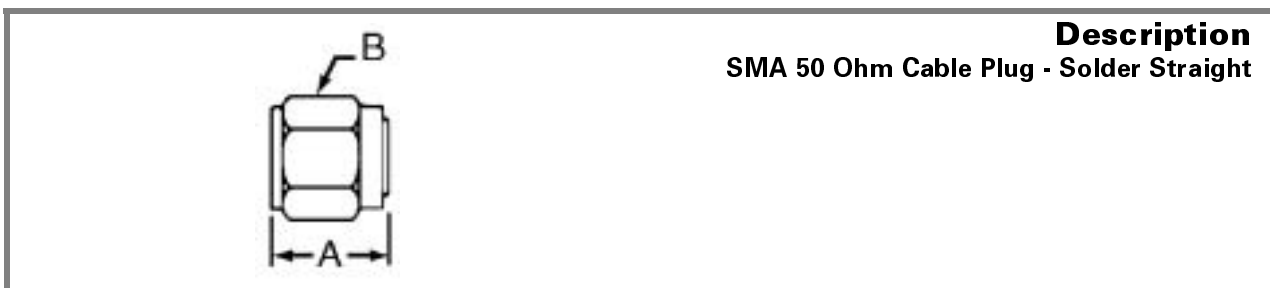
Description
SMA 50 Ohm Cable Plug - Clamp Straight

Ordering Data SMA 50 Ohm Cable Plug - Clamp Straight							
Part Number	Cable RG-/U	Dimension				Finish	Assembly Instructions
		A		B			
		mm	in.	mm	in.		
39P123-16	178, 196	26.19	1.031	7.94	0.313	Passivated	AI-55
39P123-17	174, 316	26.19	1.031	7.94	0.313	Passivated	AI-55
39P123-18	122	26.19	1.031	7.94	0.313	Passivated	AI-55
39P123-19	58, 141	26.19	1.031	7.94	0.313	Passivated	AI-55



Description
SMA 50 Ohm Cable Plug - Clamp Right-Angle

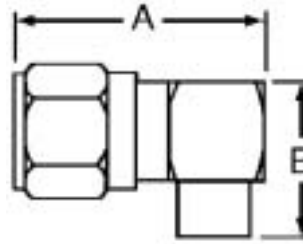
Ordering Data SMA 50 Ohm Cable Plug - Clamp Right-Angle							
Part Number	Cable RG-/U	Dimension				Finish	Assembly Instructions
		A		B			
		mm	in.	mm	in.		
39P154-13	174, 316	16.67	0.656	17.09	0.673	Passivated	AI-151
39P154-15	58, 141	16.67	0.656	17.09	0.673	Passivated	AI-151
39P154-17	RD316	16.67	0.656	17.09	0.673	Passivated	AI-151



Description
SMA 50 Ohm Cable Plug - Solder Straight

Ordering Data SMA 50 Ohm Cable Plug - Solder Straight								
Part Number	Cable RG-/U	Dimension				Finish	Note	Assembly Instructions
		A		B (Hex)				
		mm	in.	mm	in.			
39P104-2	0.141 S.R.	11.43	0.450	7.94	0.313	Gold	No Contact or Insulator	AI-314
39P106-2	0.085 S.R.	11.18	0.440	7.94	0.313	Gold	Insulator and Contact Loose	AI-315
39P134-4	0.141 S.R.	11.18	0.440	7.94	0.313	Gold/Passivated	Has Separate Contact	AI-315
39P139-5	0.141 S.R.	8.38	0.330	7.94	0.313	Gold/Passivated	No Contact	AI-130

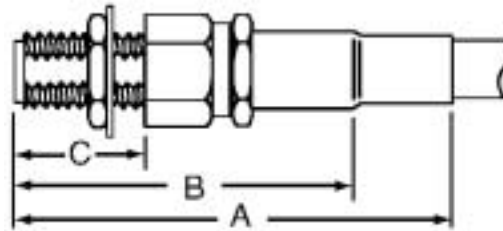
Description
SMA 50 Ohm Cable Plug - Solder Right-Angle



Ordering Data
SMA 50 Ohm Cable Plug - Solder Right-Angle

Part Number	Cable RG-/U	Dimension				Finish	Assembly Instructions
		A		B			
		mm	in.	mm	in.		
39P105-1	0.141 S.R.	17.46	0.688	11.11	0.438	Gold	AI-150
39P107-1	0.085 S.R.	17.46	0.688	11.11	0.438	Gold	AI-150

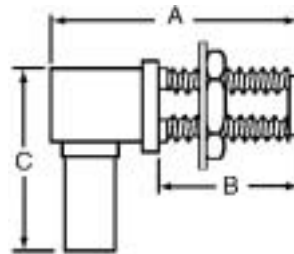
Description
SMA 50 Ohm Cable Jack - Single Hole Mount Long Crimp Straight



Ordering Data
SMA 50 Ohm Cable Jack - Single Hole Mount Long Crimp Straight

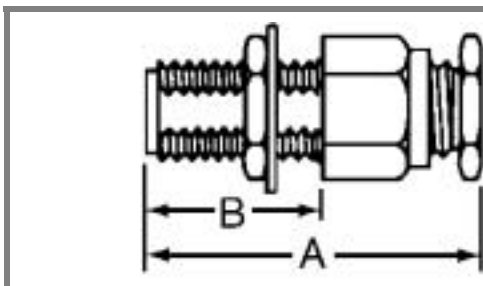
Part Number	Cable RG-/U	Crimp Tool Hex		Dimension						Finish	Mtg. Hole	Assembly Instructions
				A		B		C				
		mm	in.	mm	in.	mm	in.	mm	in.			
39JS104-1	142	5.41	0.213	38.10	1.500	26.67	1.050	11.43	0.450	Gold	D14	AI-316
39JS104-2	174, 316	3.25	0.128	38.10	1.500	26.67	1.050	11.43	0.450	Gold	D14	AI-316

Description
SMA 50 Ohm Cable Jack - Single Hole Mount Short Crimp Right-Angle



Ordering Data
SMA 50 Ohm Cable Jack - Single Hole Mount Short Crimp Right-Angle

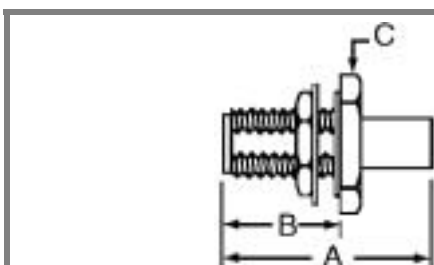
Part Number	Cable RG-/U	Crimp Tool Hex		Dimension						Finish	Mtg. Hole	Assembly Instructions
				A		B		C				
		mm	in.	mm	in.	mm	in.	mm	in.			
39JS105-1	188, 316	3.25	0.128	19.84	0.781	11.43	0.450	28.97	1.141	Gold	D14	AI-316



Description
SMA 50 Ohm Cable Jack -
Single Hole Mount Clamp Straight

Ordering Data
SMA 50 Ohm Cable Jack - Single Hole Mount Clamp Straight

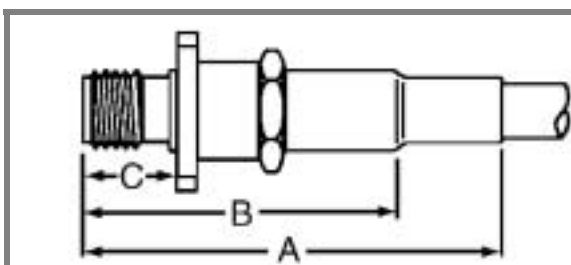
Part Number	Cable RG-/U	Dimension						Finish	Mtg. Hole	Assembly Instructions
		A		B		C				
		mm	in.	mm	in.	mm	in.			
39JS103-1	174	20.64	0.813	11.11	0.438	8.73	0.344	Gold	D14	AI-61
39JS103-2	122	20.64	0.813	11.11	0.438	8.73	0.344	Gold	D14	AI-61
39JS103-3	58	20.64	0.813	11.11	0.438	8.73	0.344	Gold	D14	AI-61
39JS103-4	223	20.64	0.813	11.11	0.438	8.73	0.344	Gold	D14	AI-61



Description
SMA 50 Ohm Cable Jack -
Single Hole Mount Solder Straight

Ordering Data
SMA 50 Ohm Cable Jack - Single Hole Mount Solder Straight

Part Number	Cable RG-/U	Dimension						Finish	Mtg. Hole	Assembly Instructions
		A		B		C				
		mm	in.	mm	in.	mm	in.			
39JS101-1	0.141 S.R.	19.05	0.750	10.67	0.420	11.11	0.438	Gold	D14	AI-320
39JS101-2	0.085 S.R.	19.05	0.750	10.67	0.420	11.11	0.438	Gold	D14	AI-320

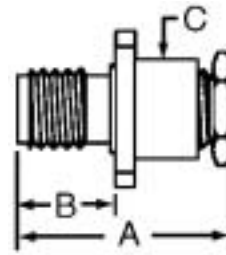


Description
SMA 50 Ohm Cable Jack -
Flange Mount Long Crimp Straight

Ordering Data
SMA 50 Ohm Cable Jack - Flange Mount Long Crimp Straight

Part Number	Cable RG-/U	Crimp Tool Hex	Dimension						Finish	Mtg. Plate	Assembly Instructions	
			A		B		C					
			mm	in.	mm	in.	mm	in.				
39JF102-1	174, 316	3.25	0.128	36.58	1.440	26.92	1.060	9.53	0.375	Gold	5A	AI-317

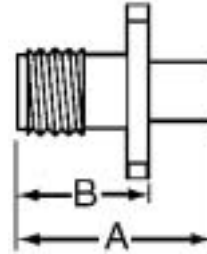
Description
SMA 50 Ohm Cable Jack -
Flange Mount Clamp Straight



Ordering Data
SMA 50 Ohm Cable Jack - Flange Mount Clamp Straight

Part Number	Cable RG-/U	Dimension						Finish	Mtg. Plate	Assembly Instructions
		A		B		C				
		mm	in.	mm	in.	mm	in.			
39JF101-1	174	20.64	0.813	7.94	0.313	7.94	0.313	Gold	5A	AI-61
39JF101-2	122	20.64	0.813	7.94	0.313	7.94	0.313	Gold	5A	AI-61
39JF101-3	58	20.64	0.813	7.94	0.313	7.94	0.313	Gold	5A	AI-61

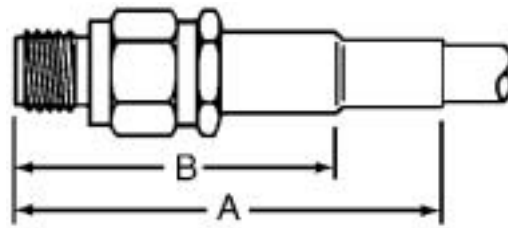
Description
SMA 50 Ohm Cable Jack -
Flange Mount Solder Straight



Ordering Data
SMA 50 Ohm Cable Jack - Flange Mount Solder Straight

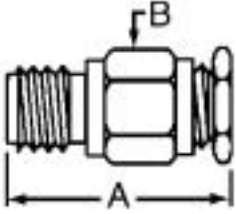
Part Number	Cable RG-/U	Dimension				Finish	Mtg. Plate	Assembly Instructions
		A		B				
		mm	in.	mm	in.			
39JF100-1	0.141 S.R.	14.29	0.563	9.53	0.375	Gold	5A	AI-318
39JF106-1	0.085 S.R.	12.70	0.500	9.53	0.375	Gold	6A	AI-318

Description
SMA 50 Ohm Cable Jack - Long Crimp Straight



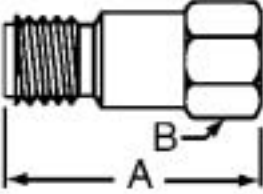
Ordering Data
SMA 50 Ohm Cable Jack - Long Crimp Straight

Part Number	Cable RG-/U	Crimp Tool Hex		Dimension				Finish	Assembly Instructions
				A		B			
		mm	in.	mm	in.	mm	in.		
39J109-1	174, 316	3.25	0.128	36.51	1.438	26.99	1.063	Gold	AI-317



Description
SMA 50 Ohm Cable Jack - Clamp Straight

Ordering Data SMA 50 Ohm Cable Jack - Clamp Straight							
Part Number	Cable RG-/U	Dimension				Finish	Assembly Instructions
		A		B			
		mm	in.	mm	in.		
39J106-1	0.141 S.R.	16.67	0.656	7.94	0.313	Gold	Al-319
39J108-1	174	20.64	0.813	8.73	0.344	Gold	Al-61
39J108-2	122	20.64	0.813	8.73	0.344	Gold	Al-61
39J108-3	58	20.64	0.813	8.73	0.344	Gold	Al-61
39J108-4	223	20.64	0.813	8.73	0.344	Gold	Al-61



Description
SMA 50 Ohm Cable Jack - Solder Straight

Ordering Data SMA 50 Ohm Cable Jack - Solder Straight							
Part Number	Cable RG-/U	Dimension				Finish	Assembly Instructions
		A		B (Hex)			
		mm	in.	mm	in.		
39J102-1	0.141 S.R.	12.70	0.500	6.35	0.250	Gold	Al-188
39J103-1	0.085 S.R.	12.70	0.500	6.35	0.250	Gold	Al-188

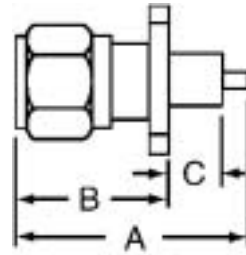
SMA 50 Ohm Receptacles



Description
SMA 50 Ohm Receptacle Plug -
Flange Mount Straight

Ordering Data SMA 50 Ohm Receptacle Plug - Flange Mount Straight						
Part Number	Dimension				Finish	Mtg. Plate
	A		B			
	mm	in.	mm	in.		
39PR134-1	17.78	0.700	12.95	0.510	Gold	5A

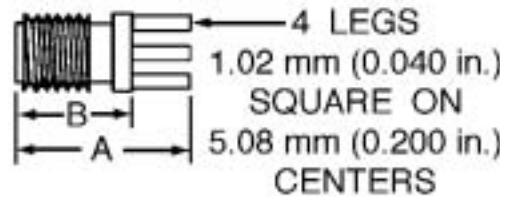
Description
SMA 50 Ohm Receptacle Plug -
Flange Mount Straight



Ordering Data
SMA 50 Ohm Receptacle Plug - Flange Mount Straight

Part Number	Dimension						Finish	Mtg. Plate
	A		B		C			
	mm	in.	mm	in.	mm	in.		
39PR123-2	25.40	1.000	12.95	0.510	8.38	0.330	Passivated	5A

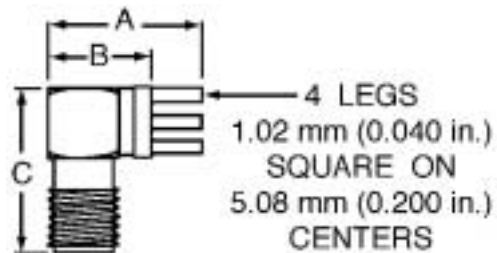
Description
SMA 50 Ohm Receptacle Jack -
Printed Circuit Board Mount Straight



Ordering Data
SMA 50 Ohm Receptacle Jack - Printed Circuit Board Mount Straight

Part Number	Dimension				Finish	Body	Mtg. PCB
	A		B				
	mm	in.	mm	in.			
39JR127-1	13.49	0.531	9.53	0.375	Gold	Stainless Steel	A1
39JR359-1	13.49	0.531	9.53	0.375	Gold	Brass	A1

Description
SMA 50 Ohm Receptacle Jack -
Printed Circuit Board Mount Right-Angle



Ordering Data
SMA 50 Ohm Receptacle Jack - Printed Circuit Board Mount Right-Angle

Part Number	Dimension						Finish	Mtg. PCB
	A		B		C			
	mm	in.	mm	in.	mm	in.		
39JR128-5	13.49	0.531	9.53	0.375	14.81	0.583	Gold	A1

Description
SMA 50 Ohm Receptacle Jack -
Printed Circuit Board Edge Mount Straight

Ordering Data
SMA 50 Ohm Receptacle Jack - Printed Circuit Board Edge Mount Straight

Part Number	Dimension						Finish	Body	Mtg. PCB
	A		B		C				
	mm	in.	mm	in.	mm	in.			
39JR363-1	12.70	0.500	11.05	0.435	4.75	0.187	Nickel	Brass	I1

Description
SMA 50 Ohm Receptacle Jack -
Printed Circuit Board
Single Hole Mount Right-Angle

Ordering Data
SMA 50 Ohm Receptacle Jack - Printed Circuit Board Single Hole Mount Right-Angle

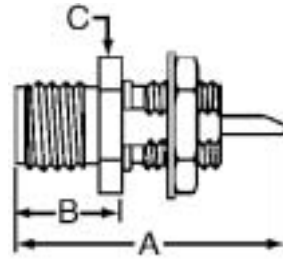
Part Number	Dimension						Finish	Body	Mtg. PCB
	A		B		C				
	mm	in.	mm	in.	mm	in.			
39JR364-1	19.56	0.770	10.44	0.411	11.43	0.450	Nickel	Brass	A1
39JR364-2	19.56	0.770	10.44	0.411	11.43	0.450	Gold	Brass	A1

Description
SMA 50 Ohm Receptacle Jack -
Printed Circuit Board
Compliant Pin Mount Straight

Ordering Data
SMA 50 Ohm Receptacle Jack - Printed Circuit Board Compliant Pin Mount Straight

Part Number	Dimension						Finish	Body	Mtg. PCB
	A		B		C				
	mm	in.	mm	in.	mm	in.			
39JR367-1	15.65	0.616	5.28	0.208	4.29	0.169	Nickel	Brass	G2

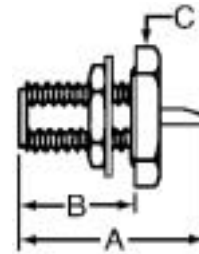
Description
SMA 50 Ohm Receptacle Jack -
Single Hole Mount Straight



Ordering Data
SMA 50 Ohm Receptacle Jack - Single Hole Mount Straight

Part Number	Dimension						Finish	Mtg. Hole
	A		B		C			
	mm	in.	mm	in.	mm	in.		
39JR126-2	17.07	0.672	7.62	0.300	7.94	0.313	Gold	D14
39JR179-1	17.07	0.672	7.87	0.310	11.11	0.438	Passivated	D13

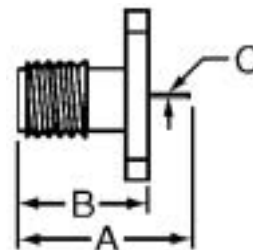
Description
SMA 50 Ohm Receptacle Jack -
Single Hole Reverse Mount Straight



Ordering Data
SMA 50 Ohm Receptacle Jack - Single Hole Reverse Mount Straight

Part Number	Dimension						Finish	Mtg. Hole
	A		B		C			
	mm	in.	mm	in.	mm	in.		
39JR103-2	17.07	0.672	11.43	0.450	7.94	0.313	Passivated	D14
39JR104-2	17.07	0.672	10.67	0.420	11.11	0.438	Passivated	D14
39JR177-1	17.07	0.672	11.18	0.440	11.11	0.438	Passivated	D13

Description
SMA 50 Ohm Receptacle Jack -
Flange Mount Straight



Ordering Data
SMA 50 Ohm Receptacle Jack - Flange Mount Straight

Part Number	Dimension						Finish	Mtg. Plate	Note
	A		B		C				
	mm	in.	mm	in.	mm	in.			
39JR253-2	9.53	0.375	11.91	0.469	1.27	0.050	Passivated	6A	Epoxy Pin
39JR242-2	12.29	0.484	9.53	0.375	1.27	0.050	Passivated	5A	Epoxy Pin



Ordering Data
SMA 50 Ohm Receptacle Jack - Flange Mount Straight

Part Number	Dimension				Finish	Mtg. Plate
	A		B			
	mm	in.	mm	in.		
39JR108-3	14.29	0.563	9.53	0.375	Passivated	5A
39JR143-1	14.29	0.563	9.53	0.375	Passivated	5A
39JR160-1	14.29	0.563	9.53	0.375	Gold	2B
39JR178-1	14.29	0.563	9.53	0.375	Passivated	6A



Ordering Data
SMA 50 Ohm Receptacle Jack - Flange Mount Straight

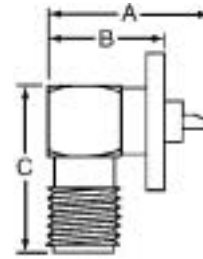
Part Number	Dimension						Finish	Mtg. Plate	Note
	A		B		C				
	mm	in.	mm	in.	mm	in.			
39JR100-1	10.92	0.430	9.53	0.375	0.00	0.000	Gold	5A	
39JR113-3	27.43	1.080	9.53	0.375	14.99	0.590	Passivated	5A	
39JR190-2	14.30	0.563	9.53	0.375	3.18	0.125	Passivated	6A	
39JR231-4	27.43	1.080	9.53	0.375	14.99	0.590	Passivated	5A	Epoxy Pin
39JR254-2	27.43	1.080	9.53	0.375	14.99	0.590	Passivated	6A	



Ordering Data
SMA 50 Ohm Receptacle Jack - Flange Mount Straight

Part Number	Dimension						Finish	Mtg. Plate
	A		B		C			
	mm	in.	mm	in.	mm	in.		
39JR221-1	14.22	0.560	9.65	0.380	0.51	0.020	Passivated	6A

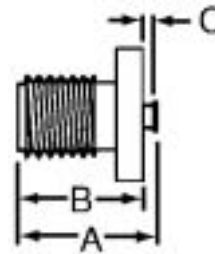
Description
SMA 50 Ohm Receptacle Jack -
Flange Mount Right-Angle



Ordering Data
SMA 50 Ohm Receptacle Jack - Flange Mount Right-Angle

Part Number	Dimension						Finish	Mtg. Plate
	A		B		C			
	mm	in.	mm	in.	mm	in.		
39JR180-1	15.48	0.609	10.72	0.422	14.68	0.578	Gold	5A

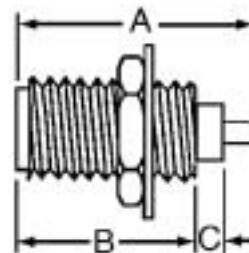
Description
SMA 50 Ohm Receptacle Jack -
Flange Mount Straight



Ordering Data
SMA 50 Ohm Receptacle Jack - Flange Mount Straight

Part Number	Dimension						Finish	Mtg. Plate
	A		B		C			
	mm	in.	mm	in.	mm	in.		
39JL100-1	11.38	0.448	9.53	0.375	1.59	0.063	Gold	8A
39JL101-1	10.57	0.416	9.53	0.375	0.79	0.031	Gold	8A
39JL102-1	12.95	0.510	9.53	0.375	3.18	0.125	Gold	8A

Description
SMA 50 Ohm Receptacle Jack - Straight

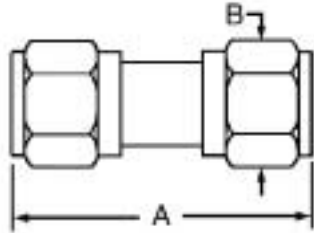


Ordering Data
SMA 50 Ohm Receptacle Jack - Straight

Part Number	Dimension						Finish
	A		B		C		
	mm	in.	mm	in.	mm	in.	
39JR154-2	16.76	0.660	12.70	0.500	2.03	0.080	Passivated

SMA 50 Ohm Adapters

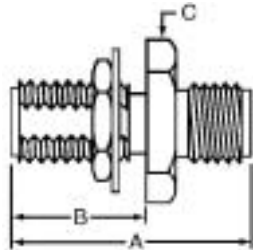
Description SMA 50 Ohm Adapter - Straight



Ordering Data SMA 50 Ohm Adapter - Straight

Part Number	Adapter Ends	Dimension				Finish
		A		B (Hex)		
		mm	in.	mm	in.	
39A106-1	Plug-Plug	22.23	0.875	7.94	0.313	Passivated

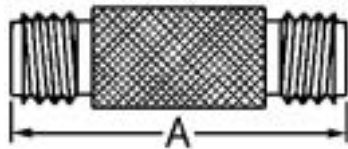
Description SMA 50 Ohm Adapter - Single Hole Mount Straight



Ordering Data SMA 50 Ohm Adapter - Single Hole Mount Straight

Part Number	Dimension						Finish	Mtg. Hole
	A		B		C			
	mm	in.	mm	in.	mm	in.		
39AS102-2	22.23	0.875	14.73	0.580	9.53	0.375	Passivated	D14

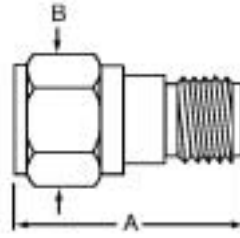
Description SMA 50 Ohm Adapter - Straight



Ordering Data SMA 50 Ohm Adapter - Straight

Part Number	Adapter Ends	Dimension A		Finish
		mm	in.	
39A107-1	Jack-Jack	22.23	0.875	Gold

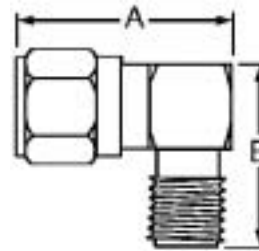
Description
SMA 50 Ohm Adapter - Straight



Ordering Data
SMA 50 Ohm Adapter - Straight

Part Number	Adapter Ends	Dimension				Finish
		A		B (Hex)		
		mm	in.	mm	in.	
39A105-3	Plug-Jack	18.26	0.719	7.94	0.313	Passivated

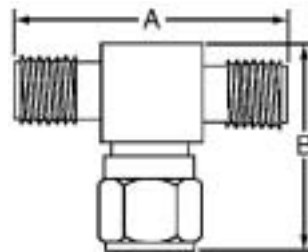
Description
SMA 50 Ohm Adapter - Right-Angle



Ordering Data
SMA 50 Ohm Adapter - Right-Angle

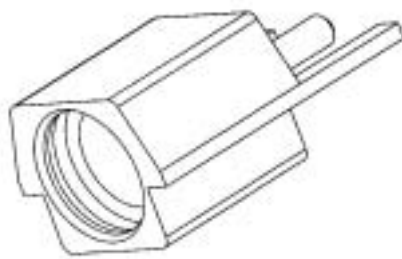
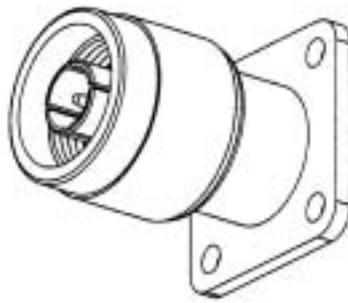
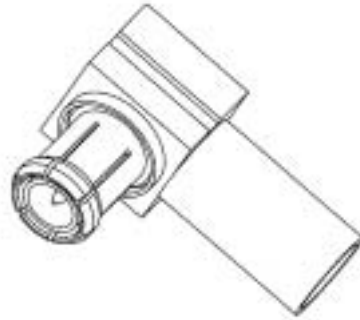
Part Number	Adapter Ends	Dimension				Finish
		A		B		
		mm	in.	mm	in.	
39AR100-1	Jack-Plug	16.00	0.630	14.73	0.580	Gold
39AR101-2	Plug-Plug	16.00	0.630	16.00	0.630	Gold

Description
SMA 50 Ohm Adapter - Tee



Ordering Data
SMA 50 Ohm Adapter - Tee

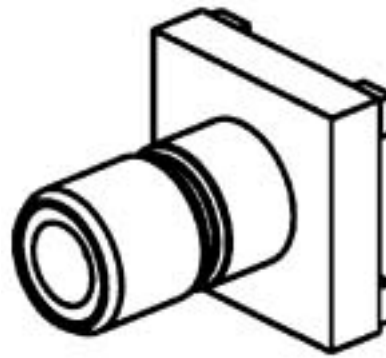
Part Number	Adapter Ends	Dimension				Finish
		A		B		
		mm	in.	mm	in.	
39AT 102-2	Jack-Plug-Jack	26.19	1.031	19.05	0.750	Gold
39AT 103-1	Jack-Jack-Jack	26.19	1.031	17.78	0.700	Gold
39AT 104-1	Plug-Jack-Plug	26.19	1.031	17.78	0.700	Gold



SMB Series

50 Ohms

Snap-On Coupling



Features

- Sub Miniature
- For applications to 4 GHz
- Resistance to RF leakage
- Made to MIL-C-39012

Options

- Small and Medium Sized Cables
RG174, 316, RG178, 196, RD316
- Straight, Right-Angle, Long Crimp, Short Crimp, Flange Mount, Single Hole Mount, Printed Circuit Board, Cap and Chain, Termination, Cross and Tee types available
- Adapters available

Specifications

- MIL-C-39012
- MIL-G-45204
- MIL-STD-438
- QQ-S-365
- MIL-STD-202
- ZZ-R-765
- QQ-C-530
- QQ-B-626

Mating Data

- RG-/U Cables (See page 30-9)

Technical Data

Materials

- Body Parts Brass, QQ-B-626
1/2 HD.
- Contacts
 - ▶ Male Brass
 - ▶ Female Beryllium copper
QQ-C-530
- Insulators PTFE Fluorocarbon
- Gaskets Silicone Rubber
ZZ-R-765

Plating

All parts plated to meet finish and corrosion requirements of MIL-C-39012

- Finish
 - ▶ Gold MIL-G-45204
 - ▶ Nickel IP23
 - ▶ Silver QQ-S-365

Electrical Performance

- Impedance 50Ω nominal
- Frequency D.C. to 4 GHz
- Insulation Resistance 1,000 MΩ Minimum
- Voltage Rating 335 VRMS
- Dielectric Withstanding 1,000 VRMS at sea level
- R.F. Leakage -55 dB Minimum at 2 to 3 GHz

- R.F. High Potential
Withstanding Voltage 700 VRMS at 5 MHz
- Voltage Standing Wave ratio
(VSWR) 1.25 + 0.04(f)GHz with RG 316/U
- Insertion Loss 0.3 dB max at 1.5 GHz
- Contact Resistance
 - ▶ Outer contact 1.0 mΩ maximum
 - ▶ Center contact 12.0 mΩ maximum

Mechanical Performance

- Force to Disengage 2 in-lbs minimum
- Force to Engage 14 inch-lbs maximum
- Connector Durability 500 cycles minimum

Operating Environment

- Temperature range -65°C to +165°C
- Vibration MIL-STD-202, method 204, cond D
- Shock MIL-STD-202, method 213, cond. I
- Thermal shock MIL-STD-202, method 107, cond. B
- Corrosion (salt spray) . MIL-STD-202, method 101, cond. B

Packaging

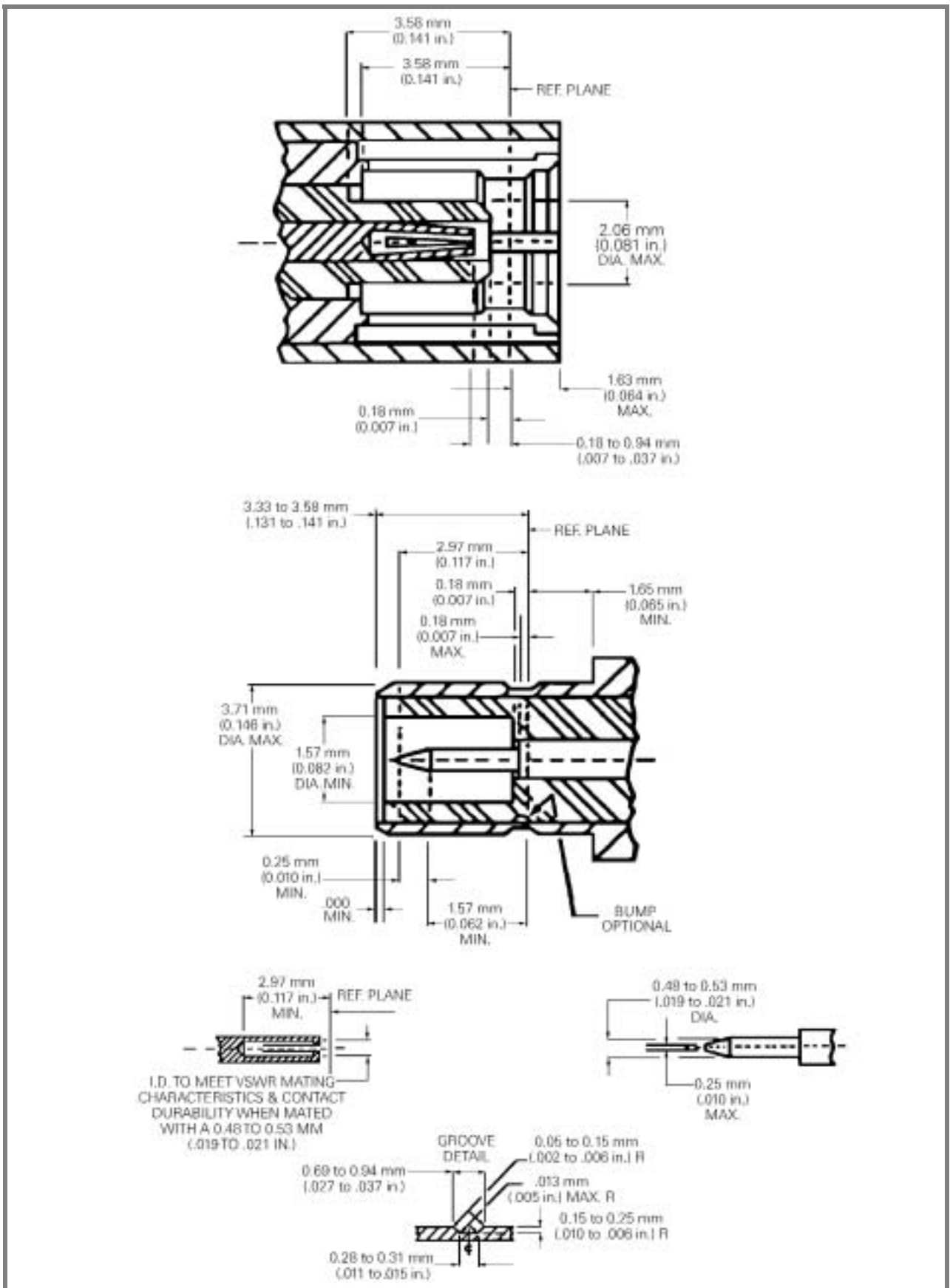
- Single Packs
- Custom Packaging upon request

Customer Support Materials

Description	Order No.
Customer Product Drawings.....	By Part Number
Product Substitutions	Contact Technical Support

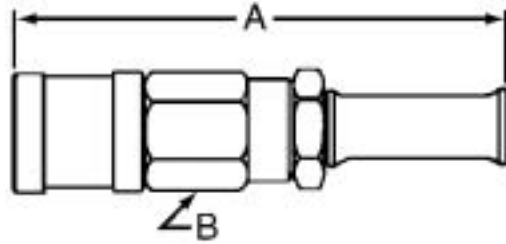
Description	Order No.
Product Samples	Upon Request
Test Data	Upon Request

Interface Dimensions per MIL-STD-348



SMB 50 Ohm Cable Plugs

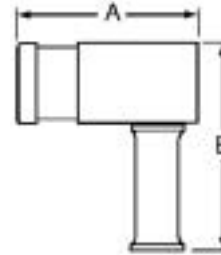
Description
SMB 50 Ohm Cable Plug - Long Crimp Straight



Ordering Data
SMB 50 Ohm Cable Plug - Long Crimp Straight

Part Number	Cable RG-/U	Crimp Tool Hex		Dimension				Finish	Assembly Instructions
				A		B (Hex)			
		mm	in.	mm	in.	mm	in.		
32P100-1	174, 316	3.25	0.128	26.19	1.031	5.56	0.219	Gold	AI-105
32P100-6	178, 196	2.67	0.105	26.19	1.031	5.56	0.219	Gold	AI-105

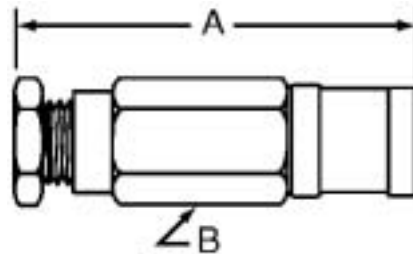
Description
SMB 50 Ohm Cable Plug - Short Crimp Right-Angle



Ordering Data
SMB 50 Ohm Cable Plug - Short Crimp Right-Angle

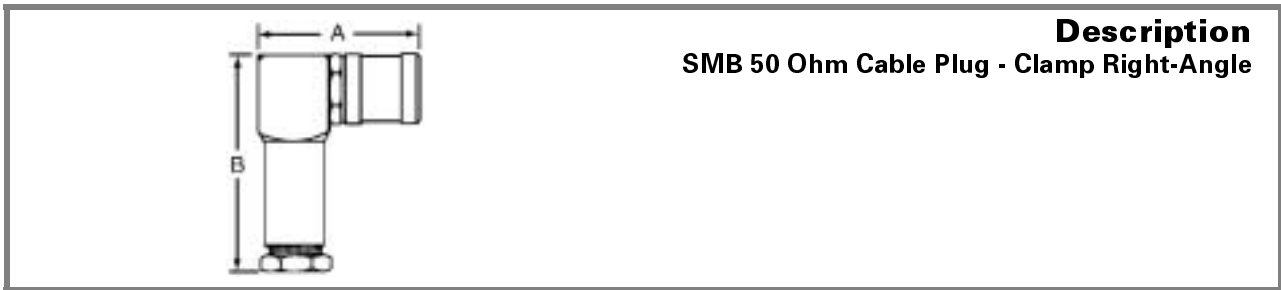
Part Number	Cable RG-/U	Crimp Tool Hex		Dimension				Finish	Assembly Instructions
				A		B			
		mm	in.	mm	in.	mm	in.		
32P111-1	174, 316	3.25	0.128	13.49	0.531	15.88	0.625	Gold	AI-53
32P111-13	178, 196	2.67	0.105	13.49	0.531	15.88	0.625	Gold	AI-53

Description
SMB 50 Ohm Cable Plug - Clamp Straight



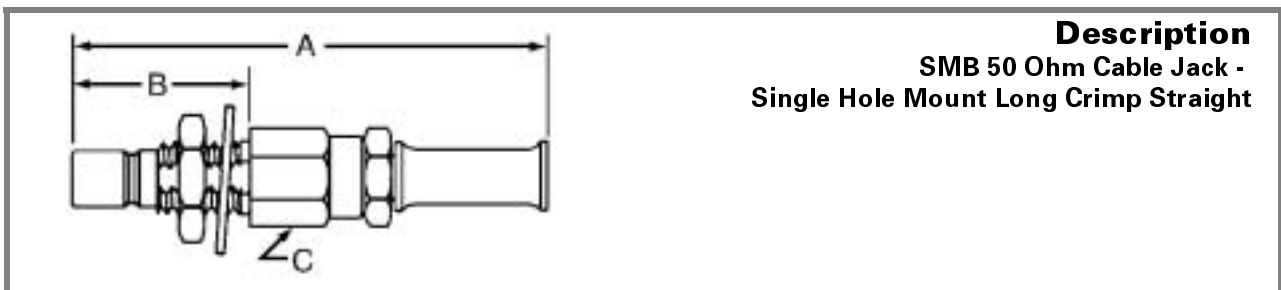
Ordering Data
SMB 50 Ohm Cable Plug - Clamp Straight

Part Number	Cable RG-/U	Dimension				Finish	Assembly Instructions
		A		B (Hex)			
		mm	in.	mm	in.		
32P103-1	178, 196	18.54	0.730	7.11	0.280	Gold	AI-104
32P103-2	174, 316	18.03	0.710	7.11	0.280	Gold	AI-104



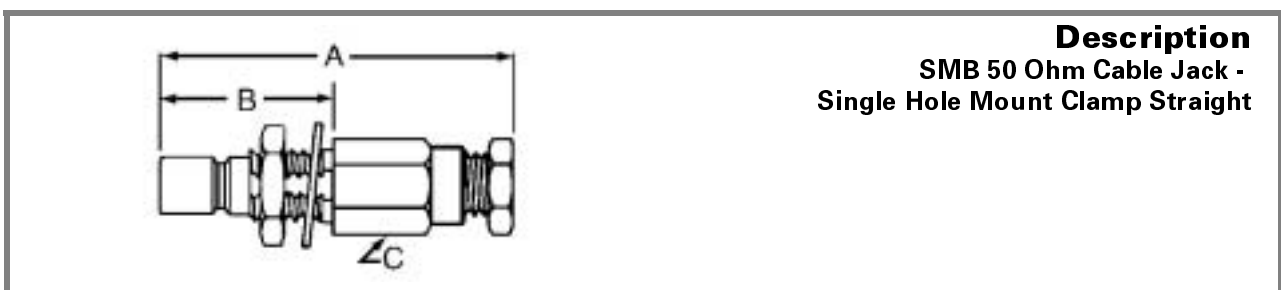
Ordering Data
SMB 50 Ohm Cable Plug - Clamp Right-Angle

Part Number	Cable RG-/U	Dimension				Finish	Assembly Instructions
		A		B			
		mm	in.	mm	in.		
32P129-1	RD 316	13.21	0.520	16.00	0.630	Gold	AI-151
32P129-2	174, 316	13.21	0.520	16.00	0.630	Gold	AI-151
32P129-3	178, 196	13.21	0.520	16.00	0.630	Gold	AI-151



Ordering Data
SMB 50 Ohm Cable Jack - Single Hole Mount Long Crimp Straight

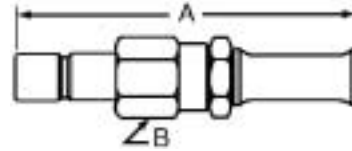
Part Number	Cable RG-/U	Crimp Tool Hex		Dimension						Finish	Mtg. Hole	Assembly Instructions
				A		B		C				
				mm	in.	mm	in.	mm	in.			
32JS102-1	174, 316	3.25	0.128	28.58	1.125	10.80	0.425	5.56	0.219	Gold	D12	AI-39
32JS102-2	178, 196	2.67	0.105	28.58	1.125	10.80	0.425	5.56	0.219	Gold	D12	AI-39



Ordering Data
SMB 50 Ohm Cable Jack - Single Hole Mount Clamp Straight

Part Number	Cable RG-/U	Dimension						Finish	Mtg. Hole	Assembly Instructions
		A		B		C				
		mm	in.	mm	in.	mm	in.			
32JS101-1	178, 196	20.64	0.813	10.80	0.425	6.35	0.250	Gold	D12	AI-55
32JS101-2	174, 316	20.64	0.813	10.80	0.425	6.35	0.250	Gold	D12	AI-55

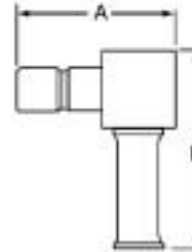
Description
SMB 50 Ohm Cable Jack - Long Crimp Straight



Ordering Data
SMB 50 Ohm Cable Jack - Long Crimp Straight

Part Number	Cable RG-/U	Crimp Tool Hex		Dimension				Finish	Assembly Instructions
				A		B (Hex)			
		mm	in.	mm	in.	mm	in.		
32J102-1	174, 316	3.25	0.128	27.38	1.078	5.56	0.219	Gold	AI-105

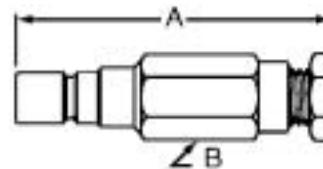
Description
SMB 50 Ohm Cable Jack - Short Crimp Right-Angle



Ordering Data
SMB 50 Ohm Cable Jack - Short Crimp Right-Angle

Part Number	Cable RG-/U	Crimp Tool Hex		Dimension				Finish	Assembly Instructions
				A		B			
		mm	in.	mm	in.	mm	in.		
32J104-1	174, 316	3.25	0.128	12.70	0.500	15.88	0.625	Gold	AI-341

Description
SMB 50 Ohm Cable Jack - Clamp Straight



Ordering Data
SMB 50 Ohm Cable Jack - Clamp Straight

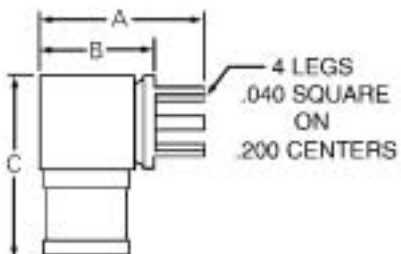
Part Number	Cable RG-/U	Dimension				Finish	Assembly Instructions
		A		B			
		mm	in.	mm	in.		
32J101-1	178, 196	18.26	0.719	7.14	0.281	Gold	AI-104
32J101-2	174, 316	18.26	0.719	7.14	0.281	Gold	AI-104

SMB 50 Ohm Receptacle



Description
SMB 50 Ohm Receptacle Plug -
Printed Circuit Board Mount Straight

Ordering Data						
SMB 50 Ohm Receptacle Plug - Printed Circuit Board Mount Straight						
Part Number	Dimension				Finish	Mtg. PCB
	A		B (Square)			
	mm	in.	mm	in.		
32PR103-1	14.68	0.578	6.35	0.250	Gold	A1



Description
SMB 50 Ohm Receptacle Plug -
Printed Circuit Board Mount Right-Angle

Ordering Data								
SMB 50 Ohm Receptacle Plug - Printed Circuit Board Mount Right-Angle								
Part Number	Dimension						Finish	Mtg. PCB
	A		B		C			
	mm	in.	mm	in.	mm	in.		
32PR104-1	13.49	0.531	9.53	0.375	15.88	0.625	Gold	A1

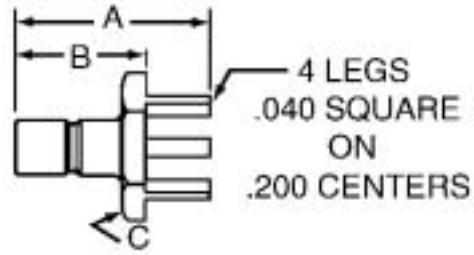


Description
SMB 50 Ohm Receptacle Plug -
Single Hole Mount Straight

Ordering Data				
SMB 50 Ohm Receptacle Plug - Single Hole Mount Straight				
Part Number	Dimension A		Finish	Mtg. Hole
	mm	in.		
32PR109-1	18.29	0.720	Gold	D12

SMB Series
50 Ohm - Receptacle

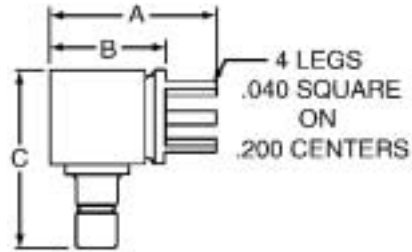
Description
SMB 50 Ohm Receptacle Jack -
Printed Circuit Board Straight



Ordering Data
SMB 50 Ohm Receptacle Jack - Printed Circuit Board Straight

Part Number	Dimension						Finish	Mtg. PCB
	A		B		C			
	mm	in.	mm	in.	mm	in.		
32JR107-1	11.38	0.448	7.57	0.298	7.94 Hex	0.313 Hex	Gold	A1
32JR119-1	11.38	0.448	7.57	0.298	6.35 Sq	0.250 Sq	Gold	A1

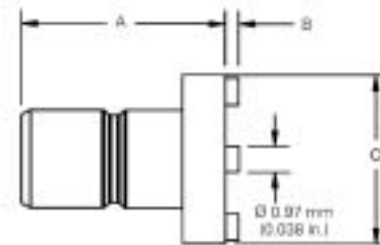
Description
SMB 50 Ohm Receptacle Jack -
Printed Circuit Board Right-Angle



Ordering Data
SMB 50 Ohm Receptacle Jack - Printed Circuit Board Right-Angle

Part Number	Dimension								Finish	Mtg. PCB
	A		B		C		D			
	mm	in.	mm	in.	mm	in.	mm	in.		
32JR111-1	13.49	0.531	9.53	0.375	15.08	0.594	7.95 Hex	0.313 Hex	Gold	A1
32JR115-2	12.70	0.500	8.64	0.340	13.46	0.530	6.35 Sq	0.250 Sq	Gold	A1
32JR115-3	10.92	0.430	7.14	0.281	13.10	0.516	6.35 Sq	0.250 Sq	Gold	A1

Description
SMB 50 Ohm Receptacle Jack -
Printed Circuit Board Surface Mount Straight



Ordering Data
SMB 50 Ohm Receptacle Jack - Printed Circuit Board Surface Mount Straight

Part Number	Dimension						Finish	Mtg. PCB
	A		B		C			
	mm	in.	mm	in.	mm	in.		
32JR189-1	7.57	0.298	0.51	0.020	6.35	0.250	Gold	D2

Description
SMB 50 Ohm Receptacle Jack -
Printed Circuit Board
Single Hole Mount Right-Angle

Ordering Data									
SMB 50 Ohm Receptacle Jack - Printed Circuit Board Single Hole Mount Right-Angle									
Part Number	Dimension						Finish	Mtg. Hole	Mtg. PCB
	A		B		C				
	mm	in.	mm	in.	mm	in.			
32JR122-1	17.86	0.703	10.80	0.425	3.99	0.157	Gold	0.195 DIA	A1

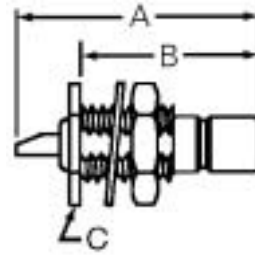
Description
SMB 50 Ohm Receptacle Jack -
Single Hole Mount Straight

Ordering Data								
SMB 50 Ohm Receptacle Jack - Single Hole Mount Straight								
Part Number	Dimension						Finish	Mtg. Hole
	A		B		C			
	mm	in.	mm	in.	mm	in.		
32JR110-1	15.08	0.594	5.99	0.236	6.35	0.250	Gold	D12

Description
SMB 50 Ohm Receptacle Jack -
Single Hole Mount Right-Angle

Ordering Data								
SMB 50 Ohm Receptacle Jack - Single Hole Mount Right-Angle								
Part Number	Dimension						Finish	Mtg. Hole
	A		B		C			
	mm	in.	mm	in.	mm	in.		
32JR118-1	15.88	0.625	7.94	0.313	13.49	0.531	Gold	D12
32JR118-2	15.88	0.625	8.33	0.328	12.70	0.500	Nickel	D12
32JR118-3	15.88	0.625	9.53	0.375	15.08	0.594	Gold	D12

Description
SMB 50 Ohm Receptacle Jack -
Single Hole Reverse Mount Straight

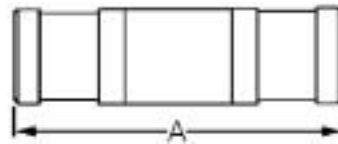


Ordering Data
SMB 50 Ohm Receptacle Jack - Single Hole Reverse Mount Straight

Part Number	Dimension						Finish	Mtg. Hole
	A		B		C (Hex)			
	mm	in.	mm	in.	mm	in.		
32JR104-1	15.08	0.594	10.82	0.426	6.35	0.250	Gold	Keyhole
32JR109-1	15.08	0.594	10.82	0.426	6.35	0.250	Gold	D12

SMB 50 Ohm Adapters

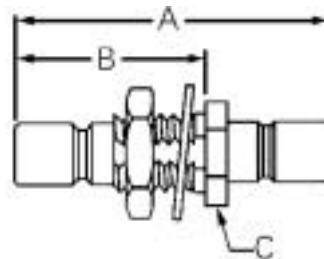
Description
SMB 50 Ohm Adapter - Straight



Ordering Data
SMB 50 Ohm Adapter - Straight

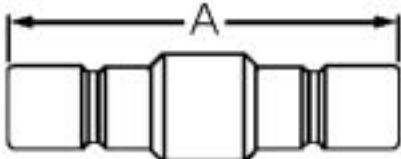
Part Number	Adapter Ends	Dimension A		Finish
		mm	in.	
32A103-1	Plug-Plug	22.61	0.890	Gold

Description
SMB 50 Ohm Adapter - Single Hole Mount Straight



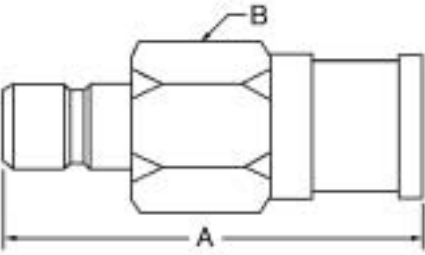
Ordering Data
SMB 50 Ohm Adapter - Single Hole Mount Straight

Part Number	Adapter Ends	Dimension						Finish	Mtg. Hole
		A		B		C (Hex)			
		mm	in.	mm	in.	mm	in.		
32AS100-1	Jack-Jack	17.07	0.672	10.08	0.397	6.35	0.250	Gold	D12



Description
SMB 50 Ohm Adapter - Straight

Ordering Data SMB 50 Ohm Adapter - Straight				
Part Number	Adapter Ends	Dimension A		Finish
		mm	in.	
32A102-1	Jack-Jack	17.07	0.672	Gold



Description
SMB 50 Ohm Adapter - Straight

Ordering Data SMB 50 Ohm Adapter - Straight						
Part Number	Adapter Ends	Dimension				Finish
		A		B		
		mm	in.	mm	in.	
32A104-2	Jack-Plug	19.05	0.750	5.56	0.219	Gold



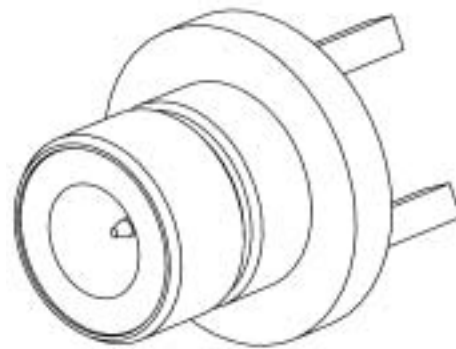
Description
SMB 50 Ohm Adapter - Tee

Ordering Data SMB 50 Ohm Adapter - Tee						
Part Number	Adapter Ends	Dimension				Finish
		A		B		
		mm	in.	mm	in.	
32AT100-2	Jack-Plug-Jack	21.83	0.859	16.67	0.656	Gold
32AT102-2	Jack-Jack-Jack	21.83	0.859	15.88	0.625	Gold
32AT103-1	Plug-Plug-Plug	23.02	0.906	16.67	0.656	Gold
32AT104-1	Plug-Jack-Plug	23.02	0.906	15.88	0.625	Gold

SMB Series

75 Ohms

Snap-On Coupling



Features

- Small
- For applications to 4 GHz
- Resistance to RF leakage
- Made to MIL-C-39012

Options

- Small and Medium Sized Cables RG 180, 195, RG 179, 187, RG 59, 62.
- Straight, Right-Angle, Long Crimp, Short Crimp, Flange Mount, Single Hole Mount, Printed Circuit Board, Cap and Chain, Termination, Cross and Tee types available
- Adapters available

Specifications

- MIL-C-39012
- MIL-G-45204
- MIL-STD-348
- QQ-S-365
- MIL-STD-202
- ZZ-R-765
- QQ-C-530
- QQ-B-626

Mating Data

- RG-/U Cables (See page 30-9)

Technical Data

Materials

- Body Parts Brass, QQ-B-626 1/2 HD.
- Contacts
 - ▶ Male Brass
 - ▶ Female Beryllium copper QQ-C-530
- Insulators PTFE Fluorocarbon
- Gaskets Silicone Rubber ZZ-R-765

Plating

All parts plated to meet finish and corrosion requirements of MIL-C-39012

- Finish
 - ▶ Gold MIL-G-45204
 - ▶ Nickel IP23
 - ▶ Silver QQ-S-365

Electrical Performance

- Impedance 50Ω nominal
- Frequency D.C. to 4 GHz
- Insulation Resistance 1,000 MΩ Minimum
- Voltage Rating 335 VRMS
- Dielectric Withstanding 1,000 VRMS at sea level
- R.F. Leakage -55 dB minimum at 2 to 3 GHz

- R.F. High Potential Withstanding Voltage 500 VRMS at 5 MHz
- Voltage Standing Wave ratio (VSWR) 1.30 + 0.04f(GHz)
- Insertion Loss 0.3 dB max at 1.5 GHz
- Contact Resistance
 - ▶ Outer contact 1.0 mΩ maximum
 - ▶ Center contact 6.0 mΩ maximum

Mechanical Performance

- Force to Engage 14 inch-lbs Maximum
- Force to Disengage 2 in-lbs Minimum
- Connector Durability 500 cycles minimum

Operating Environment

- Temperature range -65°C to +165°C
- Vibration MIL-STD-202, method 204, cond D
- Shock MIL-STD-202, method 213, cond. I
- Thermal shock MIL-STD-202, method 107, cond. B
- Corrosion (salt spray) . MIL-STD-202, method 101, cond. B

Packaging

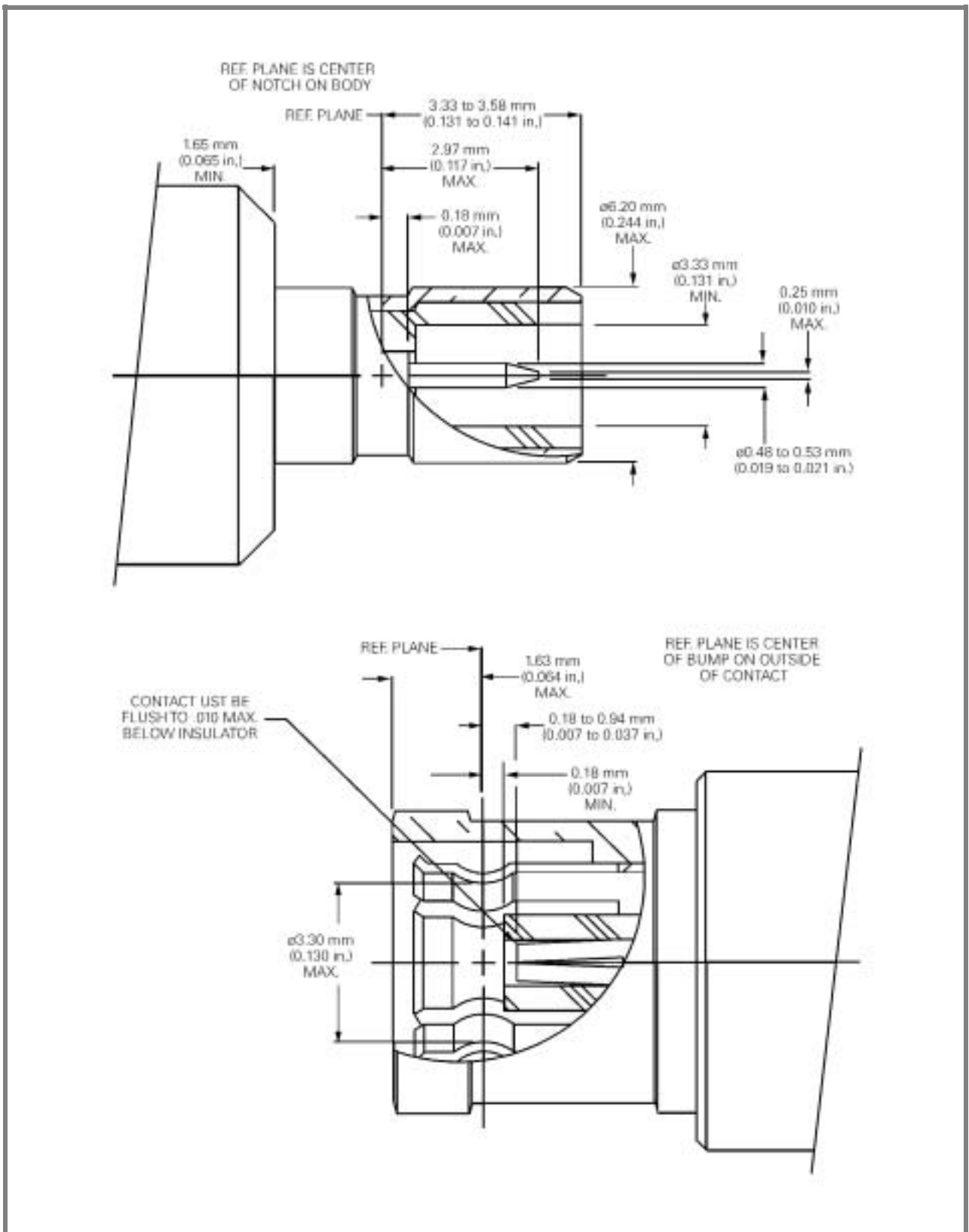
- Single Bags
- Custom packaging upon request

Customer Support Materials

Description	Order No.
Customer Product Drawings.....	By Part Number
Product Substitutions	Contact Technical Support

Description	Order No.
Product Samples	Upon Request
Test Data	Upon Request

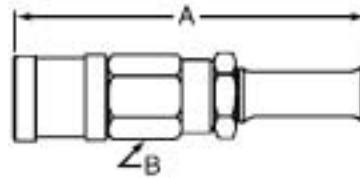
Interface Dimensions per MIL-STD-348



SMB 75 Ohm Cable Plugs

Description

SMB 75 Ohm Cable Plug - Long Crimp Straight



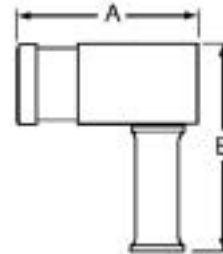
Ordering Data

SMB 75 Ohm Cable Plug - Long Crimp Straight

Part Number	Cable RG-/U	Crimp Tool Hex		Dimension				Finish	Assembly Instructions
				A		B (Hex)			
		mm	in.	mm	in.	mm	in.		
32P109-1	180, 195	4.52	0.178	27.78	1.094	8.73	0.344	Gold	AI-39
32P109-5	179, 187	3.25	0.128	27.78	1.094	8.73	0.344	Gold	AI-39

Description

SMB 75 Ohm Cable Plug - Short Crimp Right-Angle



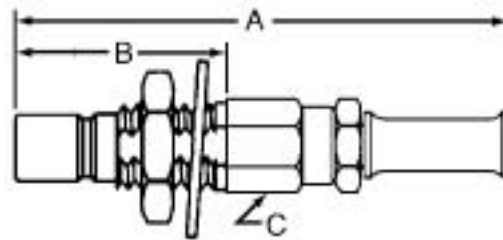
Ordering Data

SMB 75 Ohm Cable Jack - Short Crimp Right-Angle

Part Number	Cable RG-/U	Crimp Tool Hex		Dimension				Finish	Assembly Instructions
				A		B			
		mm	in.	mm	in.	mm	in.		
32P108-1	180, 195	4.52	0.178	15.88	0.625	18.26	0.719	Gold	AI-53
32P108-2	179, 187	3.25	0.128	16.27	0.641	18.26	0.719	Gold	AI-53
32P108-4	59, 62	6.48	0.255	16.27	0.641	18.26	0.719	Gold	AI-53

Description

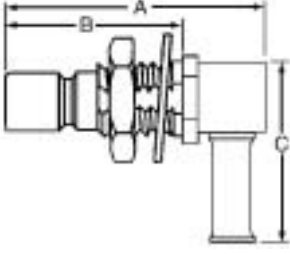
SMB 75 Ohm Cable Jack - Single Hole Mount Long Crimp Straight



Ordering Data

SMB 75 Ohm Cable Jack - Single Hole Mount Long Crimp Straight

Part Number	Cable RG-/U	Crimp Tool Hex		Dimension						Finish	Mtg. Hole	Assembly Instructions
				A		B		C				
		mm	in.	mm	in.	mm	in.	mm	in.			
32JS104-1	180, 195	4.52	0.178	29.36	1.156	10.80	0.425	8.74	0.344	Gold	D9	AI-309
32JS104-6	59, 62	6.48	0.255	29.36	1.156	10.80	0.425	8.74	0.344	Gold	D9	AI-309



Description
SMB 75 Ohm Cable Jack -
Single Hole Mount Short Crimp Right-Angle

Ordering Data
SMB 75 Ohm Cable Jack - Single Hole Mount Short Crimp Right-Angle

Part Number	Cable RG-/U	Crimp Tool Hex		Dimension						Finish	Mtg. Hole	Assembly Instructions
				A		B		C				
		mm	in.	mm	in.	mm	in.	mm	in.			
32JS107-4	180, 195	4.52	0.178	19.45	0.766	10.82	0.426	18.26	0.719	Nickel	C3	AI-310

SMB 75 Ohm Receptacles



Description
SMB 75 Ohm Receptacle Plug -
Single Hole Mount Straight

Ordering Data
SMB 75 Ohm Receptacle Plug - Single Hole Mount Straight

Part Number	Dimension						Finish	Mtg. Hole
	A		B		C			
	mm	in.	mm	in.	mm	in.		
32JR126-1	15.08	0.594	5.99	0.236	9.53	0.375	Gold	D9

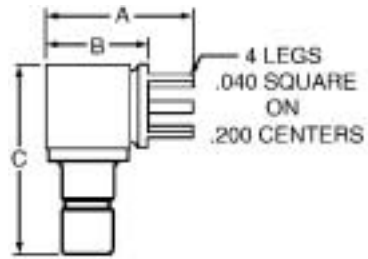


Description
SMB 75 Ohm Receptacle Jack -
Printed Circuit Board Mount Straight

Ordering Data
SMB 75 Ohm Receptacle Jack - Printed Circuit Board Mount Straight

Part Number	Dimension						Finish	Mtg. PCB
	A		B		C (Hex)			
	mm	in.	mm	in.	mm	in.		
32JR127-2	11.38	0.448	7.57	0.298	9.53	0.375	Gold	A1

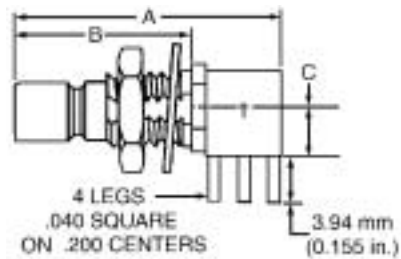
Description
SMB 75 Ohm Receptacle Jack -
Printed Circuit Board Mount Right-Angle



Ordering Data
SMB 75 Ohm Receptacle Jack - Printed Circuit Board Mount Right-Angle

Part Number	Dimension								Finish	Mtg. PCB
	A		B		C		D			
	mm	in.	mm	in.	mm	in.	mm	in.		
32JR116-3	15.08	0.594	11.11	0.438	16.67	0.656	7.94	0.313	Gold	A1

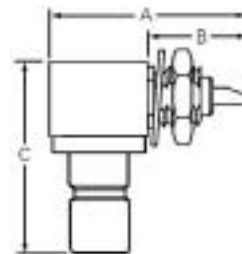
Description
SMB 75 Ohm Receptacle Jack -
Printed Circuit Board Single Hole Mount Right-Angle



Ordering Data
SMB 75 Ohm Receptacle Jack - Printed Circuit Board Single Hole Mount Right-Angle

Part Number	Dimension						Finish	Mtg. Hole	Mtg. PCB
	A		B		C				
	mm	in.	mm	in.	mm	in.			
32JR132-1	23.81	0.938	14.29	0.563	6.35	0.250	Gold	D9	A1

Description
SMB 75 Ohm Receptacle Jack -
Single Hole Mount Right-Angle



Ordering Data
SMB 75 Ohm Receptacle Jack - Single Hole Mount Right-Angle

Part Number	Dimension						Finish	Mtg. Hole
	A		B		C			
	mm	in.	mm	in.	mm	in.		
32JR121-1	20.64	0.813	9.53	0.375	16.67	0.656	Gold	D9




Description
SMB 75 Ohm Receptacle Jack -
Single Hole Reverse Mount Straight

Ordering Data
SMB 75 Ohm Receptacle Jack - Single Hole Reverse Mount Straight

Part Number	Dimension						Finish	Mtg. Hole
	A		B		C (Hex)			
	mm	in.	mm	in.	mm	in.		
32JR120-1	15.08	0.594	10.82	0.426	9.53	0.375	Gold	D9

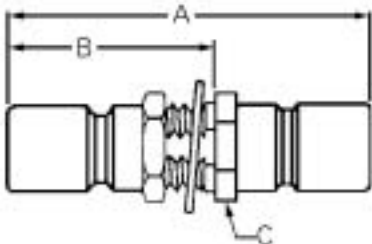
SMB 75 Ohm Adapters



Description
SMB 75 Ohm Adapter - Straight

Ordering Data
SMB 75 Ohm Adapter - Straight

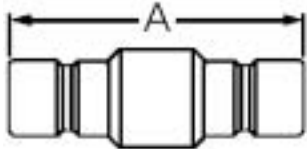
Part Number	Adapter Ends	Dimension A		Finish
		mm	in.	
32A105-1	Plug-Plug	22.61	0.890	Gold



Description
SMB 75 Ohm Adapter - Single Hole Mount Straight

Ordering Data
SMB 75 Ohm Adapter - Single Hole Mount Straight

Part Number	Dimension						Finish	Mtg. Hole
	A		B		C (Hex)			
	mm	in.	mm	in.	mm	in.		
32AS101-1	17.07	0.672	10.08	0.397	9.53	0.375	Gold	D9



Description
SMB 75 Ohm Adapter - Straight

Ordering Data
SMB 75 Ohm Adapter - Straight

Part Number	Adapter Ends	Dimension A		Finish
		mm	in.	
32A100-1	Jack-Jack	17.46	0.688	Gold

SMC Series

50 Ohms

Threaded Coupling



Features

- Sub Miniature
- For applications to 10 GHz
- Improved Vibration Characteristics
- Made to MIL-C-39012

Options

- Small and Medium Sized Cables RG 174, 188, 316, RG 178, 196
- Straight, Right-Angle, Long Crimp, Short Crimp, Flange Mount, Single Hole Mount, Printed Circuit Board, Cap and Chain, Termination, Cross and Tee types available
- Adapters available

Specifications

- MIL-C-39012
- MIL-G-45204
- MIL-STD-348
- QQ-S-365
- MIL-STD-202
- ZZ-R-765
- QQ-C-530
- QQ-B-626

Mating Data

- RG-/U Cables (See page 30-9)

Technical Data

Materials

- Body Parts Brass, QQ-B-626 1/2 HD.
- Contacts
 - ▶ Male Brass
 - ▶ Female Beryllium copper QQ-C-530
- Insulators PTFE Fluorocarbon
- Gaskets Silicone Rubber ZZ-R-765

Plating

All parts plated to meet finish and corrosion requirements of MIL-C-39012

- Finish
 - ▶ Gold MIL-G-45204
 - ▶ Nickel IP23
 - ▶ Silver QQ-S-365

Electrical Performance

- Impedance 50Ω nominal
- Frequency D.C. to 10 GHz
- Insulation Resistance 1,000 MΩ Minimum
- Voltage Rating 335 VRMS
- Dielectric Withstanding 750 VRMS at sea level
- R.F. Leakage -(55-F GHz) dB maximum

- R.F. High Potential Withstanding Voltage 700 VRMS at 5 MHz
- Voltage Standing Wave ratio (VSWR) 1.20 + 0.04(f/GHz) with RG 316
- Insertion Loss 0.25 dB max at 4 GHz
- Contact Resistance
 - ▶ Outer contact 1.0 mΩ maximum
 - ▶ Center contact 6.0 mΩ maximum

Mechanical Performance

- Force to Engage and Disengage 16 inch-oz. Maximum
- Coupling Nut Retention Force 35 lbs minimum
- Coupling Proof Torque 100 inch-oz. Minimum
- Connector Durability 500 cycles minimum

Operating Environment

- Temperature range -65°C to +165°C
- Vibration MIL-STD-202, method 204, cond D
- Shock MIL-STD-202, method 213, cond. I
- Thermal shock MIL-STD-202, method 107, cond. B
- Corrosion (salt spray) . MIL-STD-202, method 101, cond. B
- Moisture Resistance MIL-STD-202, method 106

Packaging

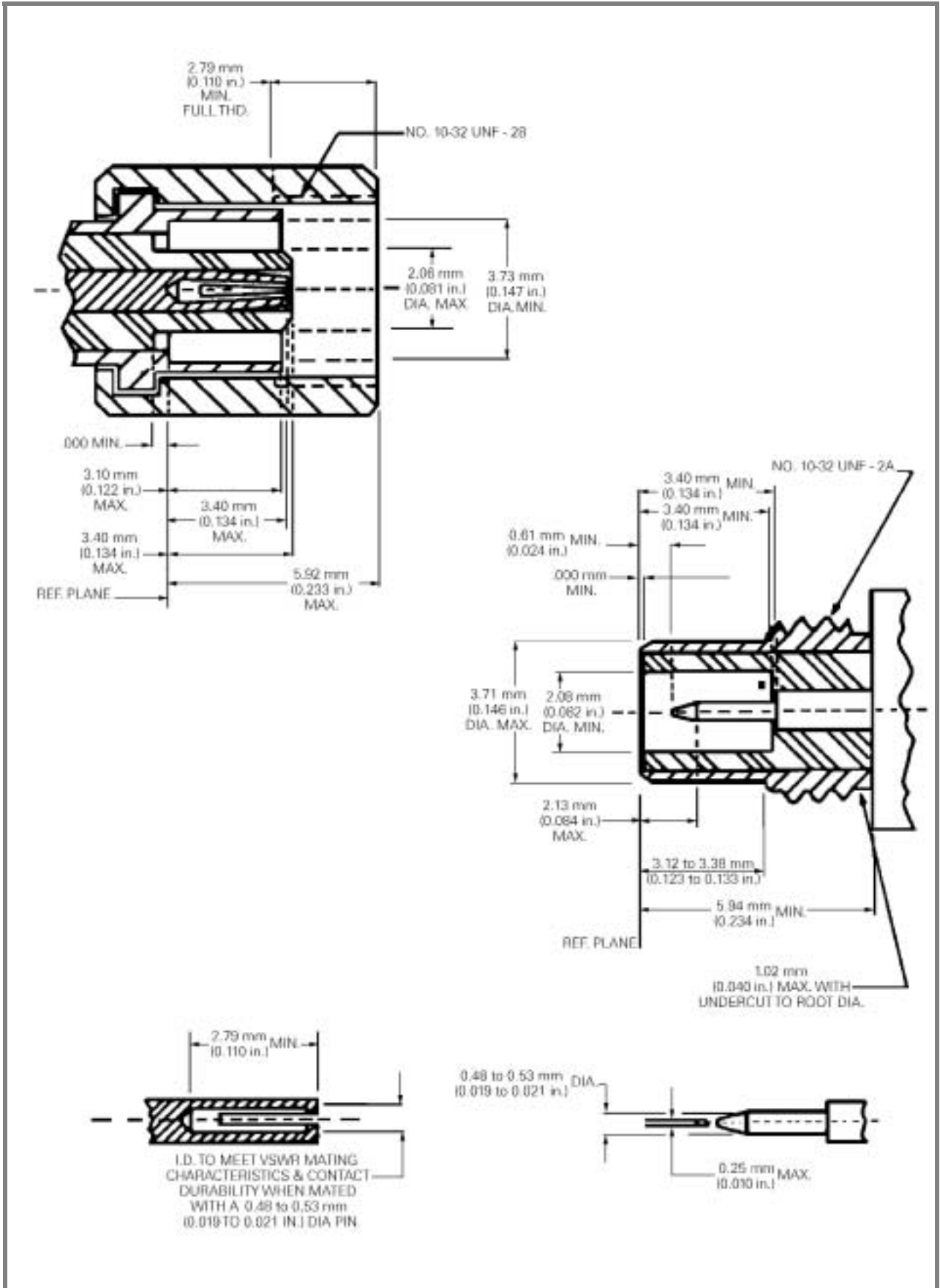
- Single Bags
- Custom packaging available upon request.

Customer Support Materials

Description	Order No.
Customer Product Drawings.....	By Part Number
Product Substitutions	Contact Technical Support

Description	Order No.
Product Samples	Upon Request
Test Data	Upon Request

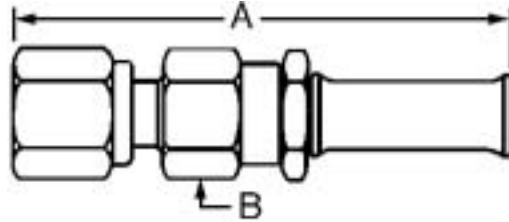
Interface Dimensions per MIL-STD-348



SMC 50 Ohm Cable Plugs

Description

SMC 50 Ohm Cable Plug - Long Crimp Straight



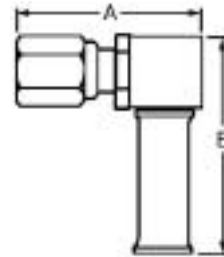
Ordering Data

SMC 50 Ohm Cable Plug - Long Crimp Straight

Part Number	Cable RG-/U	Crimp Tool Hex		Dimension				Finish	Assembly Instructions
				A		B (Hex)			
		mm	in.	mm	in.	mm	in.		
37P106-1	174, 316	3.25	0.128	26.16	1.030	5.59	0.220	Gold	AI-105
37P106-6	178, 196	2.67	0.105	26.16	1.030	5.59	0.220	Gold	AI-105

Description

SMC 50 Ohm Cable Plug - Short Crimp Right-Angle



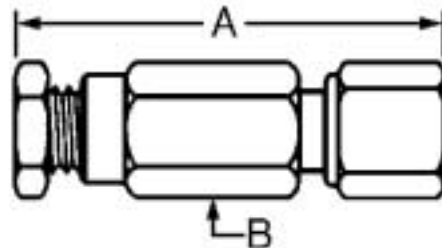
Ordering Data

SMC 50 Ohm Cable Plug - Short Crimp Right-Angle

Part Number	Cable RG-/U	Crimp Tool Hex		Dimension				Finish	Assembly Instructions
				A		B			
		mm	in.	mm	in.	mm	in.		
37P104-1	174, 316	3.25	0.128	14.22	0.560	16.00	0.630	Gold	AI-53

Description

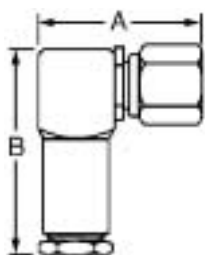
SMC 50 Ohm Cable Plug - Clamp Straight



Ordering Data

SMC 50 Ohm Cable Plug - Clamp Straight

Part Number	Cable RG-/U	Dimension				Finish	Assembly Instructions
		A		B			
		mm	in.	mm	in.		
37P112-2	174, 316	18.29	0.720	7.11	0.280	Gold	AI-136
37P133-1	174, 316	18.29	0.720	5.59	0.220	Gold	AI-136
37P133-2	178, 196	18.29	0.720	5.59	0.220	Gold	AI-136

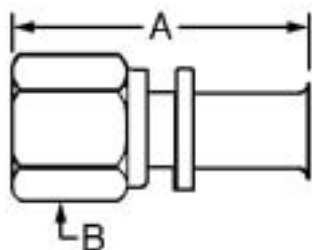


Description
SMC 50 Ohm Cable Plug - Clamp Right-Angle

Ordering Data

SMC 50 Ohm Cable Plug - Clamp Right-Angle

Part Number	Cable RG-/U	Dimension				Finish	Assembly Instructions
		A		B			
		mm	inch	mm	inch		
37P134-2	174, 316	13.97	0.550	16.00	0.630	Gold	AI-137
37P134-3	178, 196	13.97	0.550	16.00	0.630	Gold	AI-137

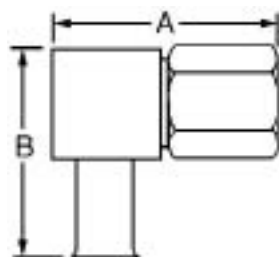


Description
SMC 50 Ohm Cable Plug - Solder Straight

Ordering Data

SMC 50 Ohm Cable Plug - Solder Straight

Part Number	Cable RG-/U	Dimension				Finish	Assembly Instructions
		A		B (Hex)			
		mm	in.	mm	in.		
37P115-1	0.085 S.R.	12.70	0.500	5.84	0.230	Gold	AI-199



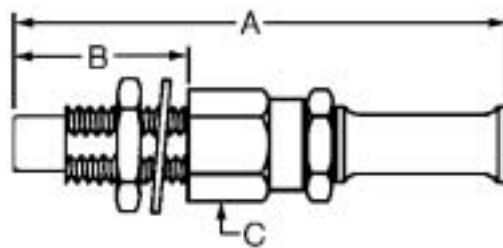
Description
SMC 50 Ohm Cable Plug - Solder Right-Angle

Ordering Data

SMC 50 Ohm Cable Plug - Solder Right-Angle

Part Number	Cable RG-/U	Dimension				Finish	Assembly Instructions
		A		B			
		mm	in.	mm	in.		
37P126-1	0.085 S.R.	13.97	0.550	11.43	0.450	Silver	AI-311

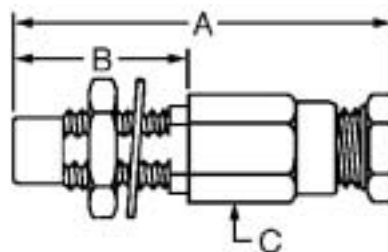
Description
SMC 50 Ohm Cable Jack -
Single Hole Mount Long Crimp Straight



Ordering Data
SMC 50 Ohm Cable Jack - Single Hole Mount Long Crimp Straight

Part Number	Cable RG-/U	Crimp Tool Hex		Dimension						Finish	Mtg. Hole	Assembly Instructions
				A		B		C				
		mm	in.	mm	in.	mm	in.	mm	in.			
37JS102-1	174, 316	3.25	0.128	28.96	1.140	10.92	0.430	5.59	0.220	Gold	D12	AI-39

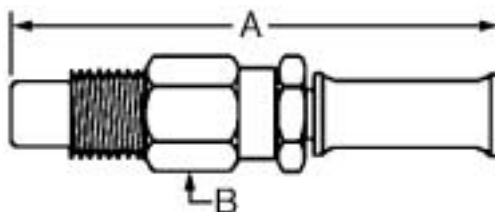
Description
SMC 50 Ohm Cable Jack -
Single Hole Mount Long Clamp Straight



Ordering Data
SMC 50 Ohm Cable Jack - Single Hole Mount Long Clamp Straight

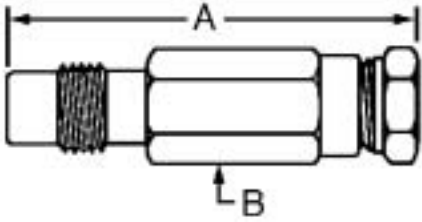
Part Number	Cable RG-/U	Dimension						Finish	Mtg. Hole	Assembly Instructions
		A		B		C				
		mm	in.	mm	in.	mm	in.			
37JS103-1	178, 196	21.08	0.830	10.92	0.430	6.35	0.250	Gold	D12	AI-55
37JS103-2	174, 316	21.08	0.830	10.92	0.430	6.35	0.250	Gold	D12	AI-55

Description
SMC 50 Ohm Cable Jack - Long Crimp Straight



Ordering Data
SMC 50 Ohm Cable Jack - Long Crimp Straight

Part Number	Cable RG-/U	Crimp Tool Hex		Dimension				Finish	Assembly Instructions
				A		B			
		mm	in.	mm	in.	mm	in.		
37J103-1	174, 316	3.25	0.128	24.89	0.980	5.59	0.220	Gold	AI-39



Description
SMC 50 Ohm Cable Jack - Clamp Straight

Ordering Data
SMC 50 Ohm Cable Jack - Clamp Straight

Part Number	Cable RG-/U	Dimension				Finish	Assembly Instructions
		A		B			
		mm	in.	mm	in.		
37J105-1	178, 196	18.29	0.720	6.35	0.250	Gold	AI-104
37J105-2	174, 188, 316	18.29	0.720	6.35	0.250	Gold	AI-104

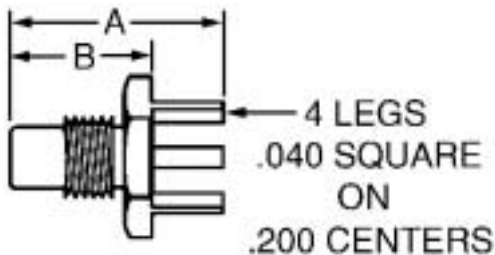
SMC 50 Ohm Receptacle



Description
SMC 50 Ohm Receptacle Plug - Single Hole Mount Straight

Ordering Data
SMC 50 Ohm Receptacle Plug - Single Hole Mount Straight

Part Number	Dimension						Finish	Mtg. Hole
	A		B		C (Hex)			
	mm	in.	mm	in.	mm	in.		
37PR100-1	18.29	0.720	7.87	0.310	6.35	0.250	Gold	D12

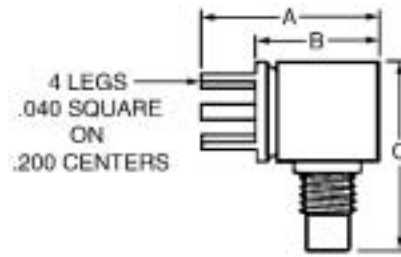


Description
SMC 50 Ohm Receptacle Jack - Printed Circuit Board Mount Straight

Ordering Data
SMC 50 Ohm Receptacle Jack - Printed Circuit Board Mount Straight

Part Number	Dimension				Finish	Mtg. PCB
	A		B			
	mm	in.	mm	in.		
37JR104-2	11.43	0.450	7.37	0.290	Gold	A1

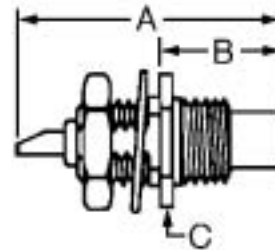
Description
SMC 50 Ohm Receptacle Jack -
Printed Circuit Board Mount Right-Angle



Ordering Data
SMC 50 Ohm Receptacle Jack - Printed Circuit Board Mount Right-Angle

Part Number	Dimension								Finish	Mtg. PCB
	A		B		C		D			
	mm	in.	mm	in.	mm	in.	mm	in.		
37JR110-1	13.46	0.530	9.65	0.380	14.99	0.590	7.87	0.310	Gold	A1

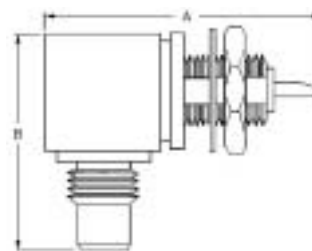
Description
SMC 50 Ohm Receptacle Jack -
Single Hole Mount Straight



Ordering Data
SMC 50 Ohm Receptacle Jack - Single Hole Mount Straight

Part Number	Dimension						Finish	Mtg. Hole
	A		B		C			
	mm	in.	mm	in.	mm	in.		
37JR101-1	14.99	0.590	6.86	0.270	6.35	0.250	Gold	D12

Description
SMC 50 Ohm Receptacle Jack -
Single Hole Mount Right-Angle



Ordering Data
SMC 50 Ohm Receptacle Jack - Single Hole Mount Right-Angle

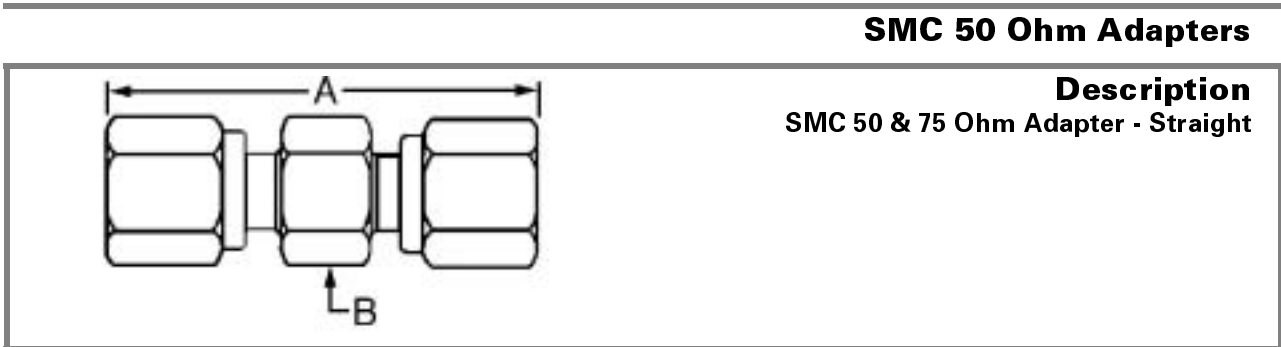
Part Number	Dimension				Finish	Mtg. Hole
	A		B			
	mm	in.	mm	in.		
37JR107-1	19.05	0.750	14.99	0.590	Gold	D12



Description
SMC 50 Ohm Receptacle Jack -
Single Hole Reverse Mount Straight

Ordering Data
SMC 50 Ohm Receptacle Jack - Single Hole Reverse Mount Straight

Part Number	Dimension						Finish	Mtg. Hole
	A		B		C (Hex)			
	mm	in.	mm	in.	mm	in.		
37JR108-1	14.99	0.590	10.92	0.430	6.35	0.250	Gold	D12



Description
SMC 50 & 75 Ohm Adapter - Straight

Ordering Data
SMC 50 & 75 Ohm Adapter - Straight

Part Number	Adapter Ends	Dimension				Finish	Note
		A		B (Hex)			
		mm	in.	mm	in.		
37A102-1	Plug-Plug	21.34	0.840	6.35	0.250	Gold	50 Ohm
37A104-2	Plug-Plug	21.34	0.840	7.87	0.310	Gold	75 Ohm

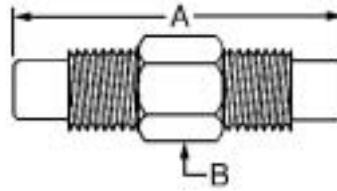


Description
SMC 50 & 75 Ohm Adapter -
Single Hole Mount Straight

Ordering Data
SMC 50 & 75 Ohm Adapter - Single Hole Mount Straight

Part Number	Adapter Ends	Dimension						Finish	Mtg. Hole	Note
		A		B		C (Hex)				
		mm	in.	mm	in.	mm	in.			
37AS100-1	Jack-Jack	17.02	0.670	10.16	0.400	9.65	0.380	Gold	D9	75 Ohm
37AS101-1	Jack-Jack	17.02	0.670	10.16	0.400	6.35	0.250	Gold	D12	50 Ohm

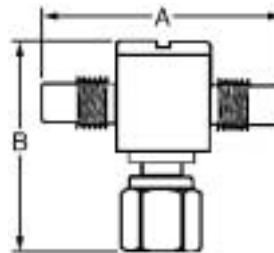
Description
SMC 50 Ohm Adapter - Straight



Ordering Data
SMC 50 Ohm Adapter - Straight

Part Number	Adapter Ends	Dimension				Finish
		A		B (Hex)		
		mm	in.	mm	in.	
37A101-1	Jack-Jack	17.02	0.670	6.35	0.250	Gold

Description
SMC 50 Ohm Adapter - Tee

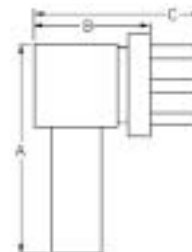


Ordering Data
SMC 50 Ohm Adapter - Tee

Part Number	Adapter Ends	Dimension				Finish
		A		B		
		mm	in.	mm	in.	
37AT100-1	Jack-Jack-Plug	24.64	0.970	16.26	0.640	Gold
37AT101-1	Jack-Jack-Jack	21.84	0.860	16.26	0.640	Gold
37AT102-1	Jack-Plug-Jack	21.84	0.860	17.02	0.670	Gold
37AT105-1	Plug-Jack-Plug	24.13	0.950	16.26	0.640	Gold

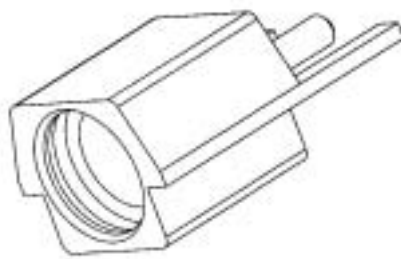
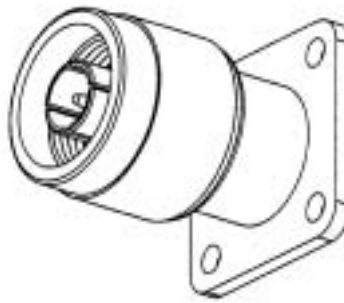
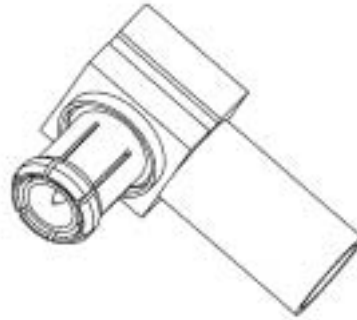
SMC 50 Ohm Termination

Description
SMC 50 Ohm Termination Jack - Feed Through Right-Angle



Ordering Data
SMC 50 Ohm Termination Jack - Feed Through Right-Angle

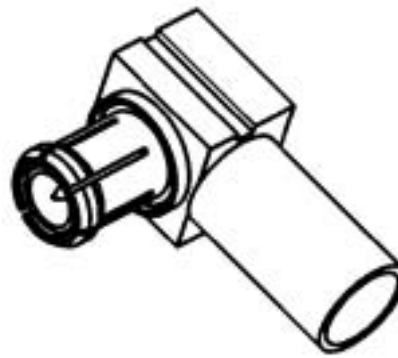
Part Number	Cable RG-/U	Dimension						Finish	Mtg. PCB
		A		B		C			
		mm	in.	mm	in.	mm	in.		
37T100-1	174, 316	15.88	0.625	8.76	0.345	12.70	0.500	Gold	A1



MCX Series

50 Ohms

Sub Miniature Snap-On Coupling



Features

- 30 percent smaller than SMB Connectors
- For applications to 6 GHz
- Resistance to RF leakage
- For areas that are inaccessible to the normal mating action.
- Made to CECC 22220
- Brass bodies with beryllium copper female contacts with gold plating

Options

- Small Sized Cables - 0.047 SR, 0.086 SR, RG316, RG188, RG187, RG174, RG179, RG196, RD316.
- Straight, Right-Angle, Long Crimp, Short Crimp, Printed Circuit Board, Solder and Compliant Pin types available
- Adapters available
- Nickel or Gold Finish available

Specifications

- QQ-B-626
- CECC 22220
- QQ-C-530
- MIL-G-45204
- ZZ-R-765

Mating Data

- RG-/U Cables (See page 30-9)

Technical Data

Materials

- Body Parts Brass, QQ-B-626
1/2 HD.
- Contacts
 - ▶ Male Brass
 - ▶ Female Beryllium copper
QQ-C-530
- Insulators PTFE Fluorocarbon

Plating

All parts plated to meet finish and corrosion requirements of MIL-C-39012

- Finish
 - ▶ Gold MIL-G-45204
 - ▶ Nickel IP23

Electrical Performance

- Impedance 50Ω nominal
- Frequency D.C. to 6 GHz
- Insulation Resistance 5,000 MΩ Minimum
- Voltage Rating 335 VRMS
- Dielectric Withstanding 1000 VRMS at sea level

- Voltage Standing Wave ratio (VSWR) 1.3 max to 4 GHz
- Insertion Loss 0.1 times square root fGHz(in dB)
- Contact Resistance 5.0 mΩ Maximum

Mechanical Performance

- Connector Durability 500 cycles Minimum
- Force to Engage and Disengage
 - ▶ Engagement 14 lbs Maximum
 - ▶ Separation 1.75 lbs Minimum
4.5 lbs Maximum

Environmental Qualification

- Temperature range -55°C to +155°C
- Vibration 10 to 500 Hz at 10 G's
- Temperature Cycling 65°C to +125°C
- High Temperature Test +125°C for 96 hours

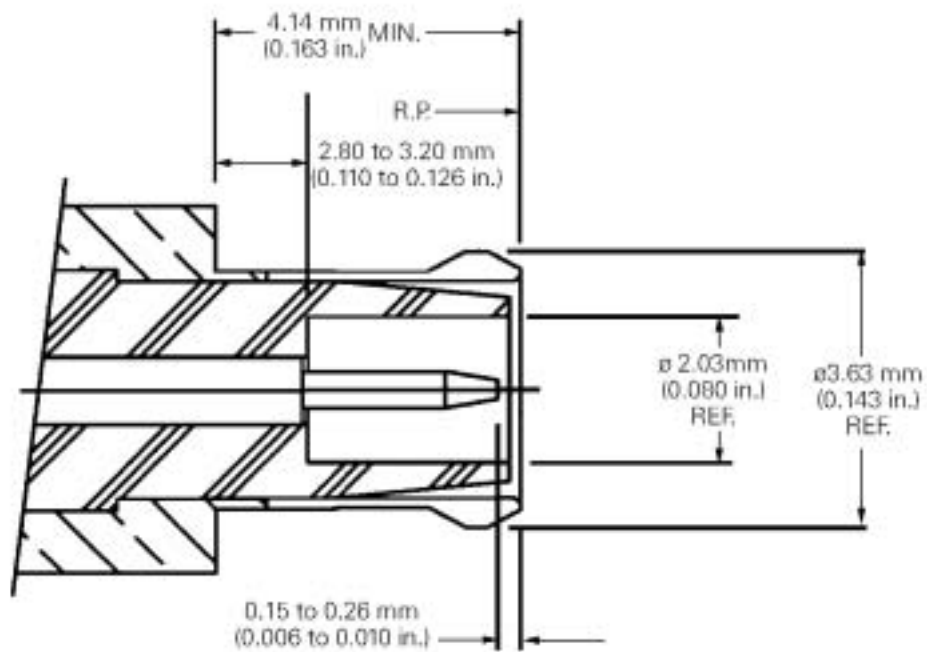
Packaging

- Single Bags
- Custom packaging available upon request.

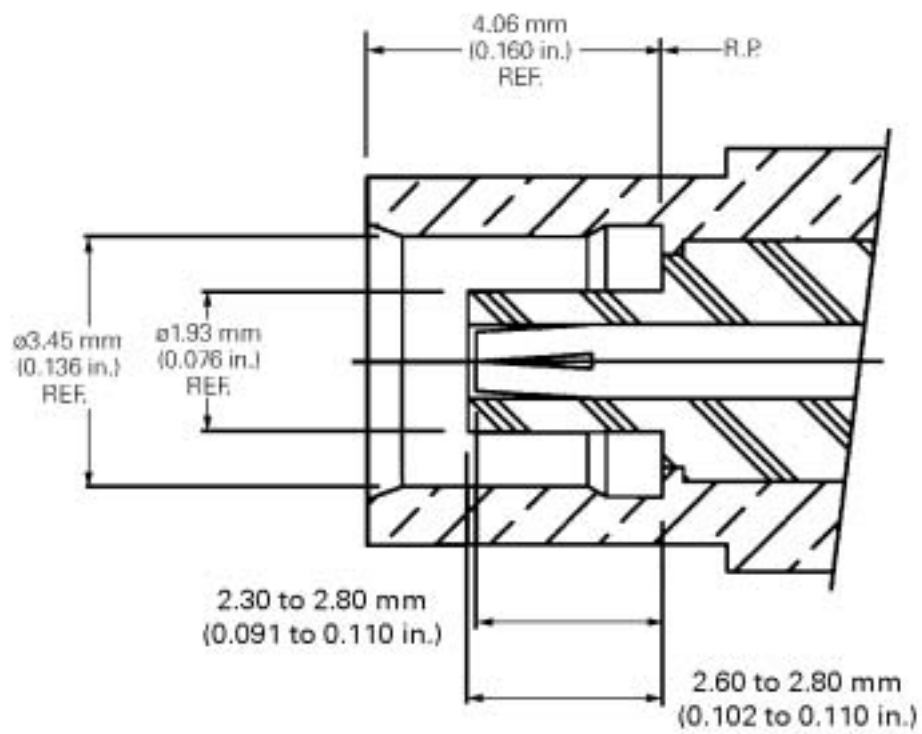
Customer Support Materials

Description	Order No.	Description	Order No.
Customer Product Drawings.....	By Part Number	Product Samples	Upon Request
Product Substitutions	Contact Technical Support	Test Data	Upon Request

Interface Dimensions per CECC 22220



PLUG

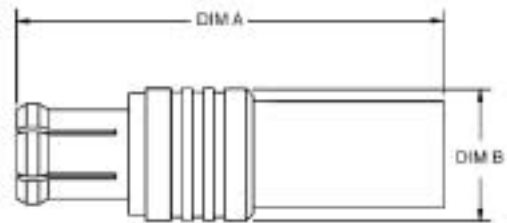


JACK

MCX 50 Ohm Cable Plugs

Description

MCX 50 Ohm Cable Plug - Short Crimp Straight



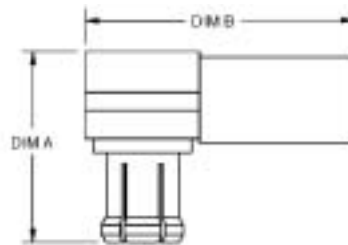
Ordering Data

MCX 50 Ohm Cable Plug - Short Crimp Straight

Part Number	Cable	Crimp Tool Hex		Dimension				Finish	Assembly Instructions
				A		B			
		mm	in.	mm	in.	mm	in.		
59P110-1	RG316	3.25	0.128	15.34	0.604	6.86	0.270	Nickel	AI-307
59P110-2	RD316	3.84	0.151	15.34	0.604	6.86	0.270	Nickel	AI-307
59P110-3	RG316	3.25	0.128	15.34	0.604	6.86	0.270	Gold	AI-307
59P110-4	RD316	3.84	0.151	15.34	0.604	6.86	0.270	Gold	AI-307
59P110-5	RG178	2.67	0.105	15.34	0.604	6.86	0.270	Nickel	AI-307
59P110-6	RG178	2.67	0.105	15.34	0.604	6.86	0.270	Gold	AI-307

Description

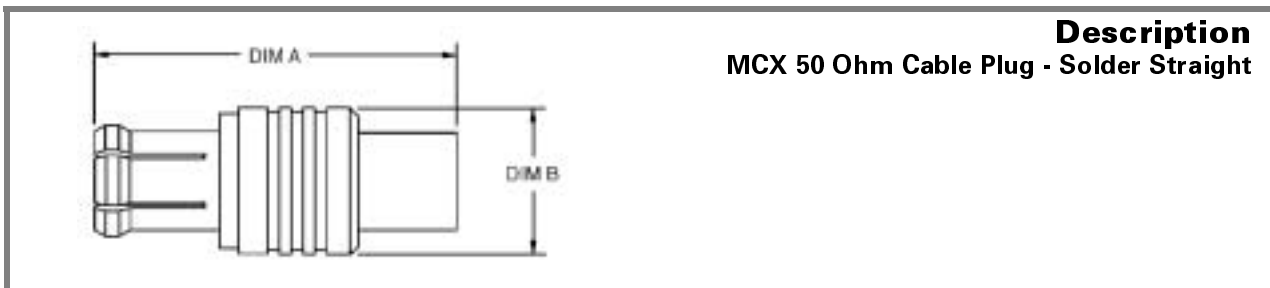
MCX 50 Ohm Cable Plug - Short Crimp Right-Angle



Ordering Data

MCX 50 Ohm Cable Plug - Short Crimp Right-Angle

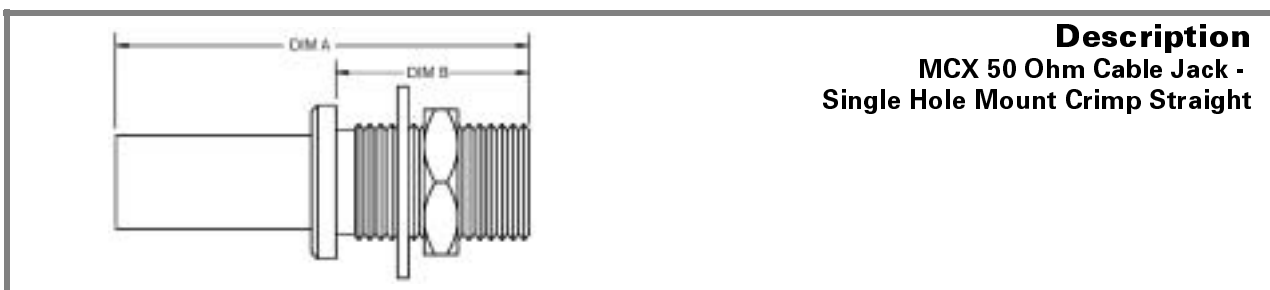
Part Number	Cable	Crimp Tool Hex		Dimension				Finish	Assembly Instructions
				A		B			
		mm	in.	mm	in.	mm	in.		
59P105-1	RG316	3.25	0.128	8.59	0.338	11.94	0.470	Nickel	AI-305
59P105-2	RD316	3.84	0.151	8.59	0.338	11.94	0.470	Nickel	AI-305
59P105-3	RG316	3.25	0.128	8.59	0.338	11.94	0.470	Gold	AI-305
59P105-4	RD316	3.84	0.151	8.59	0.338	11.94	0.470	Gold	AI-305
59P108-1	0.086 SR	Solder On		8.59	0.338	8.26	0.325	Nickel	AI-306
59P108-2	0.086 SR	Solder On		8.59	0.338	8.26	0.325	Gold	AI-306
59P108-3	0.047 SR	Solder On		8.59	0.338	8.26	0.325	Nickel	AI-306
59P108-4	0.047 SR	Solder On		8.59	0.338	8.26	0.325	Gold	AI-306



Description
MCX 50 Ohm Cable Plug - Solder Straight

Ordering Data
MCX 50 Ohm Cable Plug - Solder Straight

Part Number	Cable	Dimension				Finish	Assembly Instructions
		A		B			
		mm	in.	mm	in.		
59P107-1	0.086 SR	11.07	0.436	8.59	0.338	Nickel	AI-302
59P107-2	0.086 SR	11.07	0.436	8.59	0.338	Gold	AI-302



Description
MCX 50 Ohm Cable Jack - Single Hole Mount Crimp Straight

Ordering Data
MCX 50 Ohm Cable Jack - Single Hole Mount Crimp Straight

Part Number	Cable RG-/U	Crimp Tool Hex		Dimension				Finish	Mtg. Hole	Assembly Instructions
				A		B				
		mm	in.	mm	in.	mm	in.			
59JS100-1	316	3.25	0.128	17.75	0.699	7.98	0.314	Nickel	D12	AI-304

MCX Receptacles



Description
MCX Receptacle Jack - Printed Circuit Board Surface Mount Straight

Ordering Data
MCX Receptacle Jack - Printed Circuit Board Surface Mount Straight

Part Number	Dimension				Finish	Mtg. PCB
	A		B			
	mm	in.	mm	in.		
59JR107-1	6.25	0.246	5.99	0.236	Nickel	D1
59JR107-2	6.25	0.246	5.99	0.236	Gold	D1

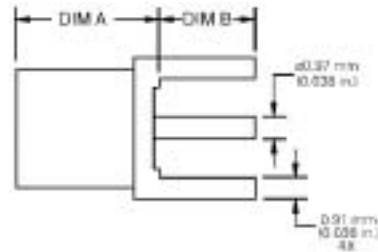
Description
MCX 50 Ohm Receptacle Jack - Printed Circuit Board
Surface Mount Right-Angle



Ordering Data
MCX 50 Ohm Receptacle Jack - Printed Circuit Board Surface Mount Right-Angle

Part Number	Dimension						Finish	Mtg. PCB
	A		B		C			
	mm	in.	mm	in.	mm	in.		
59JR108-1	9.35	0.368	6.25	0.246	8.28	0.326	Nickel	F1
59JR108-2	9.35	0.368	6.25	0.246	8.28	0.326	Gold	F1

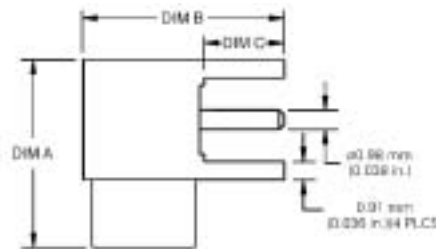
Description
MCX 50 Ohm Receptacle Jack - Printed Circuit Board
Mount Straight



Ordering Data
MCX 50 Ohm Receptacle Jack - Printed Circuit Board Mount Straight

Part Number	Dimension				Finish	Mtg. PCB
	A		B			
	mm	in.	mm	in.		
59JR101-1	5.99	0.236	3.94	0.155	Nickel	A1
59JR101-2	5.99	0.236	3.18	0.125	Nickel	A1
59JR101-3	5.99	0.236	2.36	0.093	Nickel	A1
59JR101-4	5.99	0.236	3.94	0.155	Gold	A1
59JR101-5	5.99	0.236	3.18	0.125	Gold	A1
59JR101-6	5.99	0.236	2.36	0.093	Gold	A1

Description
MCX 50 Ohm Receptacle Jack - Printed Circuit
Board Mount Right-Angle



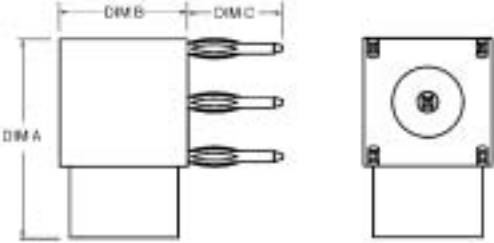
Ordering Data
MCX 50 Ohm Receptacle Jack - Printed Circuit Board Mount Right-Angle

Part Number	Dimension						Finish	Mtg. PCB
	A		B		C			
	mm	in.	mm	in.	mm	in.		
59JR102-1	9.40	0.370	9.93	0.391	3.94	0.155	Nickel	A1
59JR102-2	9.40	0.370	9.93	0.391	3.94	0.155	Gold	A1



Description
MCX 50 Ohm Receptacle Jack -
Compliant Pin Mount Straight

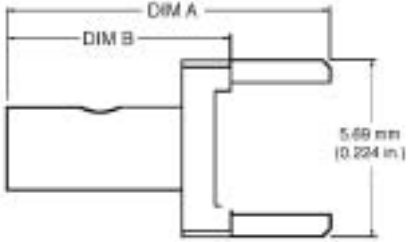
Ordering Data MCX 50 Ohm Receptacle Jack - Compliant Pin Mount Straight						
Part Number	Dimension				Finish	Mtg. PCB
	A		B			
	mm	in.	mm	in.		
59JR110-1	5.99	0.236	4.45	0.175	Nickel	G1
59JR110-2	5.99	0.236	4.45	0.175	Gold	G1



Description
MCX 50 Ohm Receptacle Jack -
Compliant Pin Mount Right-Angle

Ordering Data MCX 50 Ohm Receptacle Jack - Compliant Pin Mount Right-Angle								
Part Number	Dimension						Finish	Mtg. PCB
	A		B		C			
	mm	in.	mm	in.	mm	in.		
59JR109-1	9.35	0.368	5.99	0.236	4.45	0.175	Nickel	G1
59JR109-2	9.35	0.368	5.99	0.236	4.45	0.175	Gold	G1

MCX 50 Ohm Termination



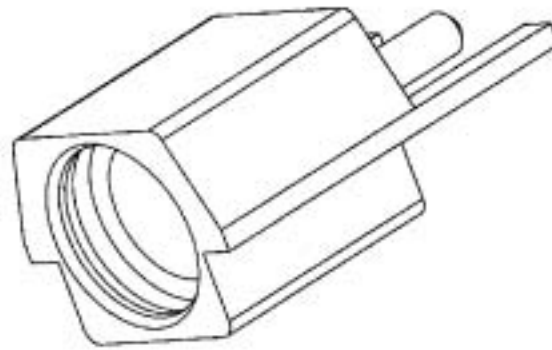
Description
MCX Termination Jack -
Printed Circuit Board Mount Straight

Ordering Data MCX Termination Jack - Printed Circuit Board Mount Straight							
Part Number	Cable RG-/U	Dimension				Finish	Mtg. PCB
		A		B			
		mm	in.	mm	in.		
59TS100-1	178, 196	10.49	0.413	7.29	0.287	Gold	H1
59TS100-2	178, 196	10.49	0.413	7.29	0.287	Nickel	H1

MMCX Series

50 Ohms

Micro Miniature Snap-On Coupling



Features

- 45 percent smaller than SMB connectors
- Low Profile
- For applications to 6 GHz
- Resistance to RF leakage
- For areas that are inaccessible to the normal mating action.
- Made to CECC 22340

Options

- Small Sized Cables: RG178, RG 316, RD 316, 0.047 and 0.086 Semi-rigid.
- Straight, Right-Angle, Long Crimp, Short Crimp, Printed Circuit Board types available
- Adapters available

Specifications

- CECC 22340
- QO-B-626
- QO-C-530
- MIL-G-45204
- ZZ-R-765

Mating Data

- RG-/U Cables (See page 30-9)

Technical Data

Materials

- Body Parts Brass, QO-B-626 1/2 HD.
- Contacts
 - ▶ Male Brass
 - ▶ Female Beryllium copper QO-C-530
- Insulators PTFE Fluorocarbon
- Gaskets Silicone Rubber ZZ-R-765

Plating

All parts plated to meet finish and corrosion requirements of MIL-C-39012

- Finish
 - ▶ Gold MIL-G-45204
 - ▶ Nickel IP23

Electrical Performance

- Impedance 50Ω
- Frequency D.C. to 6 GHz

- Insulation Resistance 5,000 MΩ Minimum
- Voltage Rating 170 VRMS
- Dielectric Withstanding 500 VRMS at sea level
- Voltage Standing Wave ratio (VSWR) 1.2 max to 4 GHz
- Insertion Loss 0.2 times square root fGHz

Mechanical Performance

- Connector Durability 500 cycles Minimum
- Force to Engage and Disengage
 - ▶ Engagement 3.3 lbs Maximum
 - ▶ Separation 1.32 lbs Minimum 3.3 lbs Maximum

Packaging

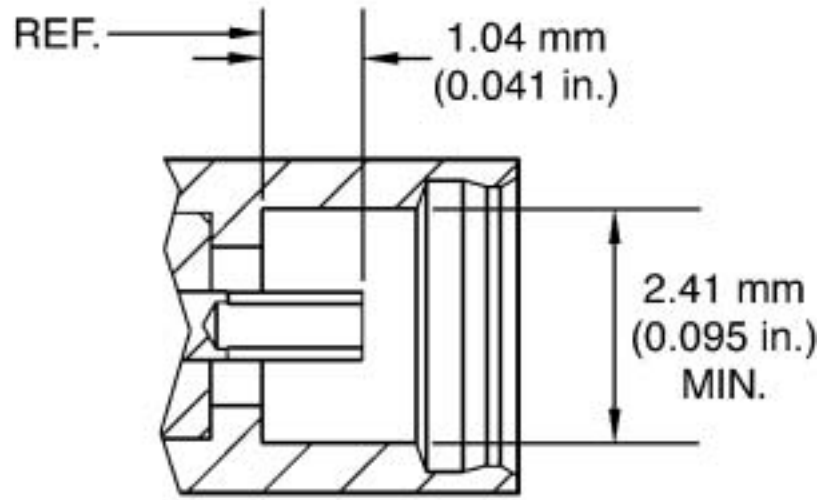
- Single Bags
- Custom packaging available upon request.

Customer Support Materials

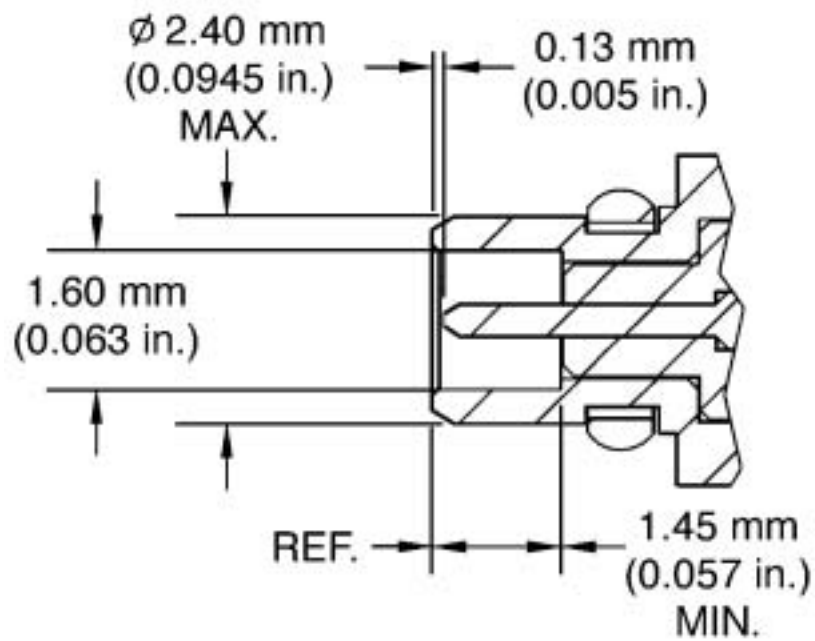
Description	Order No.
Customer Product Drawings.....	By Part Number
Product Substitutions	Contact Technical Support

Description	Order No.
Product Samples	Upon Request
Test Data	Upon Request

Interface Dimensions per CECC 22340



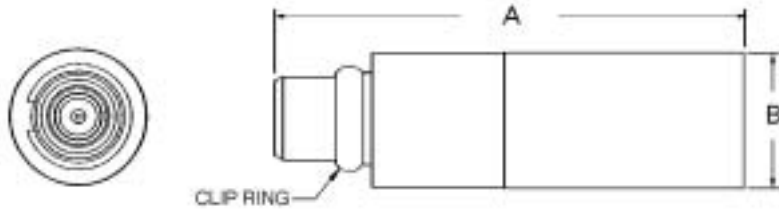
JACK



PLUG

MMCX 50 Ohm Cable Plugs

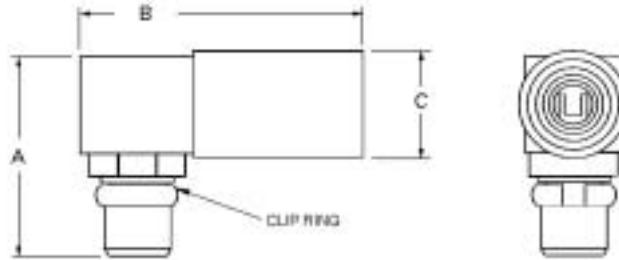
Description
MMCX 50 Ohm Cable Plug -
Short Crimp Straight



Ordering Data
MMCX 50 Ohm Cable Plug - Short Crimp Straight

Part Number	Cable	Crimp Tool Hex		Dimension				Finish	Assembly Instructions
		mm	in.	A		B			
				mm	in.	mm	in.		
69P103-1	RG 316	3.25	0.128	13.46	0.530	3.86	0.152	Nickel	Al-339
69P103-2	RD 316	3.84	0.151	13.46	0.530	4.55	0.179	Nickel	Al-339
69P103-3	RG 316	2.67	0.105	13.46	0.530	3.86	0.152	Nickel	Al-339
69P103-4	RD 316	3.84	0.151	13.46	0.530	4.55	0.179	Gold	Al-339
69P103-5	RG 316	2.67	0.105	13.46	0.530	3.15	0.124	Nickel	Al-339
69P103-6	RG 316	2.67	0.105	13.46	0.530	3.15	0.124	Gold	Al-339

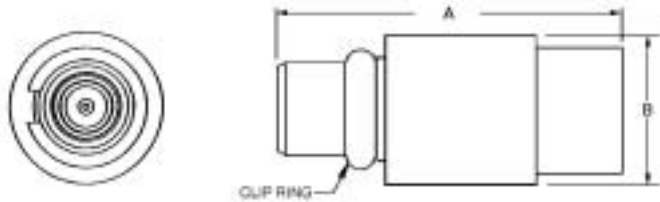
Description
MMCX 50 Ohm Cable Plug -
Short Crimp Right-Angle



Ordering Data
MMCX 50 Ohm Cable Plug - Short Crimp Right-Angle

Part Number	Cable	Crimp Tool Hex		Dimension						Finish	Assembly Instructions
		mm	in.	A		B		C			
				mm	in.	mm	in.	mm	in.		
69P104-1	RG316	3.25	0.128	7.11	0.280	10.16	0.400	3.86	0.152	Nickel	Al-340
69P104-2	RD316	3.84	0.151	7.11	0.280	10.16	0.400	4.55	0.179	Nickel	Al-340
69P104-3	RG316	3.25	0.128	7.11	0.280	10.16	0.400	3.86	0.152	Gold	Al-340
69P104-4	RD316	3.84	0.151	7.11	0.280	10.16	0.400	4.55	0.179	Gold	Al-340
69P104-5	RG178	2.67	0.105	7.11	0.280	10.16	0.400	3.15	0.124	Nickel	Al-340
69P104-6	RG178	2.67	0.105	7.11	0.280	10.16	0.400	3.15	0.124	Gold	Al-340

Description
MMCX 50 Ohm Cable Plug -
Solder Straight



Ordering Data
MMCX 50 Ohm Cable Plug - Solder Straight

Part Number	Cable	Dimension				Finish	Assembly Instructions
		A		B			
		mm	in.	mm	in.		
69P100-1	0.086 SR	8.76	0.345	3.81	0.150	Nickel	Al-337
69P100-2	0.086 SR	8.76	0.345	3.81	0.150	Gold	Al-337
69P100-3	0.047 SR	8.76	0.345	3.81	0.150	Nickel	Al-337
69P100-4	0.047 SR	8.76	0.345	3.81	0.150	Gold	Al-337

MMCX Receptacles

Description
MMCX Receptacle Plug -
Printed Circuit Board Mount
Straight

Ordering Data
MMCX Receptacle Plug - Printed Circuit Board Mount Straight

Part Number	Dimension				Finish	Mtg. PCB
	A		B			
	mm	in.	mm	in.		
69P101-1	7.42	0.292	2.92	0.115	Nickel	C1
69P101-2	7.42	0.292	2.92	0.115	Gold	C1

Description
MMCX Receptacle Jack -
Printed Circuit Board Mount
Straight

Ordering Data
MMCX Receptacle Jack - Printed Circuit Board Mount Straight

Part Number	Dimension						Finish	Mtg. PCB
	A		B		C			
	mm	in.	mm	in.	mm	in.		
69JR100-1	7.62	0.300	2.92	0.115	3.45	0.136	Nickel	C1
69JR100-2	7.62	0.300	2.92	0.115	3.45	0.136	Gold	C1

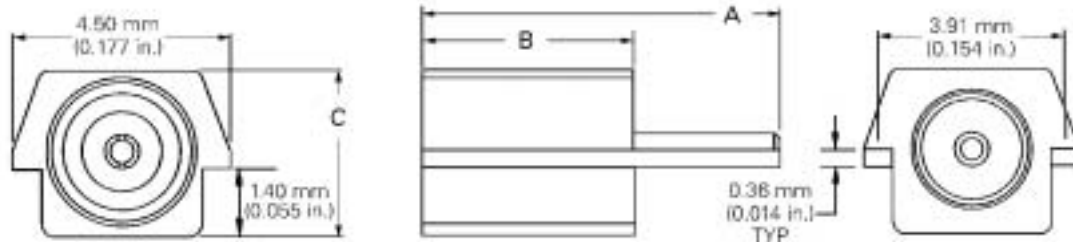
Description
MMCX Receptacle Jack -
Printed Circuit Board Mount
Right-Angle

Ordering Data
MMCX Receptacle Jack - Printed Circuit Board Mount Right-Angle

Part Number	Dimension						Finish	Mtg. PCB
	A		B		C			
	mm	in.	mm	in.	mm	in.		
69JR101-1	6.50	0.256	6.73	0.265	2.92	0.115	Nickel	C1
69JR101-2	6.50	0.256	6.73	0.265	2.92	0.115	Gold	C1

Description

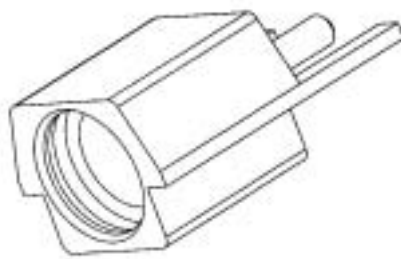
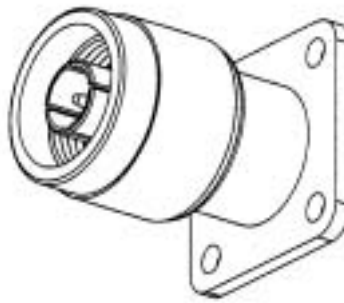
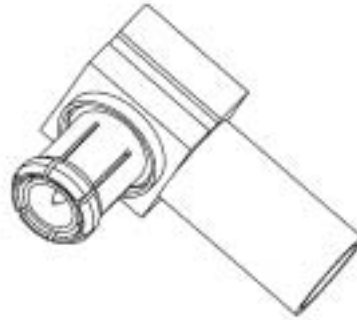
MMCX 50 Ohm Receptacle - Printed Circuit Board Edge Mount Straight



Ordering Data

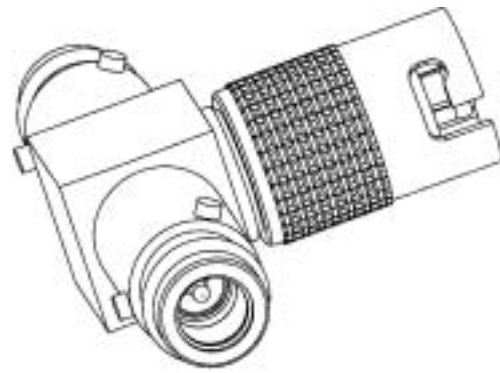
MMCX 50 Ohm Receptacle - Printed Circuit Board Edge Mount Straight

Part Number	Dimension						Finish	Mtg. PCB
	A		B		C			
	mm	in.	mm	in.	mm	in.		
69JR103-1	7.44	0.293	4.39	0.173	3.45	0.136	Nickel	E1
69JR103-2	7.44	0.293	4.39	0.173	3.45	0.136	Gold	E1



Special Series

Various Coupling



Features

- Small
- Improved Vibration Characteristics
- Resistance to RF leakage
- Plugs incorporate safety wiring holes in the coupling sleeve so that they may be wired in place in severe vibration conditions.
- Made to MIL-C-39012

Options

- Small and Medium Sized Cables
- Straight, Right-Angle, Long Crimp, Short Crimp, Flange Mount, Single Hole Mount, Printed Circuit Board, Cap and Chain, Termination, Cross and Tee types available
- Adapters available

Specifications

- MIL-C-39012
- QQ-B-626
- MIL-STD-202
- QQ-C-530
- MIL-G-45204
- QQ-S-365
- ZZ-R-765

Technical Data

Materials

- Body Parts Brass, QQ-B-626
1/2 HD.
- Contacts
 - ▶ Male Brass
 - ▶ Female Beryllium copper
QQ-C-530
- Insulators PTFE Fluorocarbon
- Gaskets Silicone Rubber
ZZ-R-765

Plating

All parts plated to meet finish and corrosion requirements of MIL-C-39012

- Finish
 - ▶ Gold MIL-G-45204
 - ▶ Nickel IP23
 - ▶ Silver QQ-S-365

Operating Environment

- Temperature range -65°C to +165°C
- Vibration MIL-STD-202, method 204, cond D. (20 G's)
- Shock MIL-STD-202, method 213, cond. I (100 G's)
- Thermal shock MIL-STD-202, method 107, cond. B
-65°C to +115°C
- Corrosion (salt spray) MIL-STD-202, method 101, cond. B
- Moisture Resistance MIL-STD-202, method 106

Packaging

- Single Bags
- Custom packaging available upon request.

Customer Support Materials

Description	Order No.
Customer Product Drawings	By Part Number
Product Substitutions	Contact Technical Support

Description	Order No.
Product Samples	Upon Request
Test Data	Upon Request

Special Receptacles

Description
Receptacle Plug -
Push On Single Hole Mount Straight

Ordering Data						
Receptacle Plug - Push On Single Hole Mount Straight						
Part Number	Dimension				Finish	Mtg. Hole
	A		B			
	mm	in.	mm	in.		
33PR101-1	24.21	0.953	12.70	0.500	Silver	C3
33PR117-1	24.21	0.953	12.70	0.500	Silver	C3

Description
Receptacle Jack -
Push On Single Hole Mount Straight

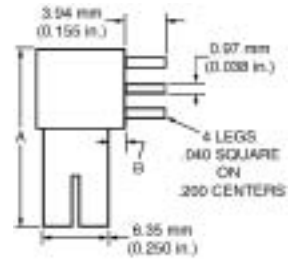
Ordering Data						
Receptacle Jack - Push On Single Hole Mount Straight						
Part Number	Dimension				Finish	Mtg. Hole
	A		B			
	mm	in.	mm	in.		
33JR103-1	24.21	0.953	12.70	0.500	Silver	C3

Description
Receptacle Probe -
Printed Circuit Board Mount Straight

Ordering Data				
Receptacle Probe - Printed Circuit Board Mount Straight				
Part Number	Dimension A		Finish	Mtg. PCB
	mm	in.		
33JR135-1	3.81	0.150	Silver	A1
33JR135-4	4.57	0.180	Silver	A1

Special Series
Receptacle

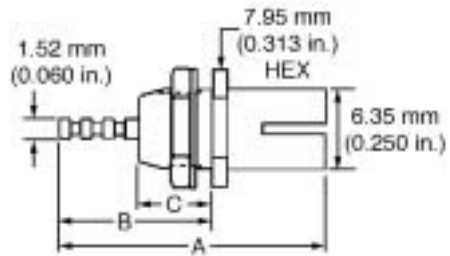
Description
Receptacle Probe -
Printed Circuit Board Mount Right-Angle



Ordering Data
Receptacle Probe - Printed Circuit Board Mount Right-Angle

Part Number	Dimension				Finish	Mtg. PCB
	A		B			
	mm	in.	mm	in.		
33JR159-1	20.64	0.813	3.18	0.125	Nickel	A1
33JR159-2	17.46	0.688	1.59	0.063	Nickel	A1

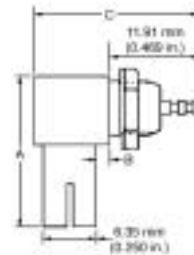
Description
Receptacle Probe -
Single Hole Mount Straight



Ordering Data
Receptacle Probe - Single Hole Mount Straight

Part Number	Dimension						Finish	Mtg. Hole
	A		B		C			
	mm	in.	mm	in.	mm	in.		
33JR115-2	20.64	0.813	11.91	0.469	5.56	0.219	Nickel	C8
33JR126-1	20.64	0.813	11.91	0.469	7.14	0.281	Nickel	C8
33JR167-1	17.07	0.672	8.33	0.328	5.56	0.219	Nickel	C8
33JR169-1	20.64	0.813	11.91	0.469	8.33	0.328	Nickel	C8

Description
Receptacle Probe - Single Hole Mount Right-Angle



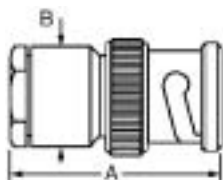
Ordering Data
Receptacle Probe - Single Hole Mount Right-Angle

Part Number	Dimension						Finish	Mtg. Hole
	A		B		C			
	mm	in.	mm	in.	mm	in.		
33JR170-1	20.64	0.813	3.18	0.125	20.64	0.813	Nickel	C8

Special Adapters

Description

Adapter - BNC Plug to Probe Receptacle Straight



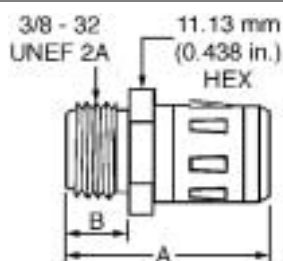
Ordering Data

Adapter - BNC Plug to Probe Receptacle Straight

Part Number	Adapter Ends	Dimension				Finish
		A		B		
		mm	in.	mm	in.	
28P156-1	Tektronix Probe-BNC Jack	25.80	1.016	12.70	0.500	Silver

Description

Adapter - F Series Jack to Push On Jack Straight



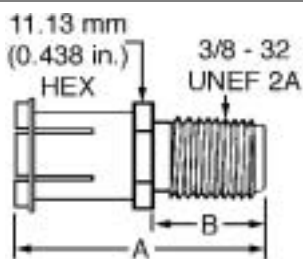
Ordering Data

Adapter - F Series Jack to Push On Jack Straight

Part Number	Adapter Ends	Dimension				Finish
		A		B		
		mm	in.	mm	in.	
33A119-1	Jack-Push on Jack 75 Ohm 35DB-1 GHz	23.81	0.938	9.53	0.375	Nickel

Description

Adapter - F Series Jack to Push On Plug Straight



Ordering Data

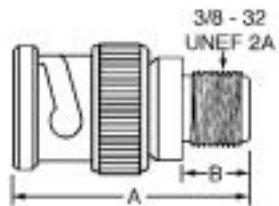
Adapter - F Series Jack to Push On Plug Straight

Part Number	Adapter Ends	Dimension				Finish
		A		B		
		mm	in.	mm	in.	
33A118-1	Jack-Push on Plug 75 35DB-1 GHz	27.78	1.094	13.89	0.547	Nickel

Special Series
Adapter

Description

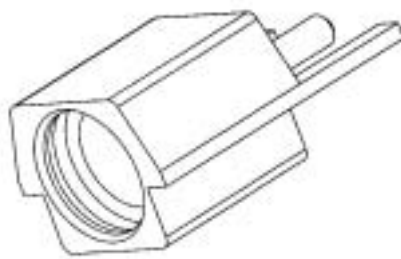
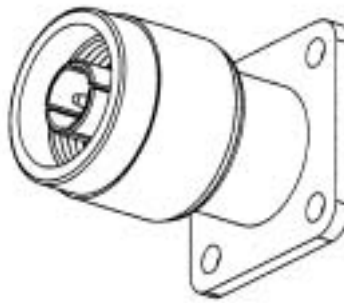
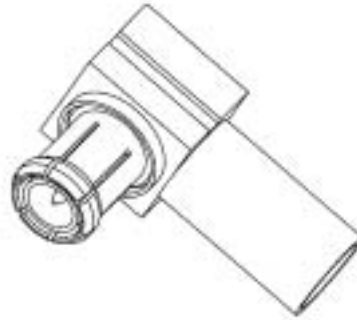
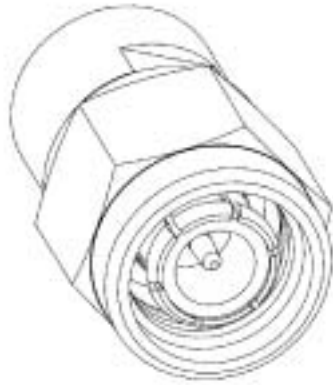
Adapter - F Series Jack to 75 Ohm BNC Plug



Ordering Data

Adapter - F Series Jack to 75 Ohm BNC Plug

Part Number	Adapter Ends	Dimension				Finish
		A		B		
		mm	in.	mm	in.	
29JP218-1	BNC 75 Ohm Plug-F Jack 75 Ohm 35DB-1 GHz	26.99	1.063	6.35	0.250,	Nickel
29JP218-2	BNC 75 Ohm Plug-F Jack 75 Ohm 35DB-1 GHz	30.96	1.219	10.31	0.406,	Nickel



Part Number Index

Part Number	Page	Part Number	Page	Part Number	Page	Part Number	Page
24A100	30-57	24P112	30-50	25JS100	30-71	28J107	30-19
24A101	30-57	24P116	30-49	25JS103	30-71	28J112	30-19
24AR100	30-58	24P118	30-50	25JS111	30-82	28J128	30-20
24AS102	30-57	24P120	30-49	25JS122	30-71	28J129	30-19
24AS104	30-57	24P134	30-50	25JS124	30-71	28J138	30-33
24AT100	30-58	24P140	30-49	25JS126	30-71	28J150	30-19
24AT102	30-58	24P142	30-48	25JS127	30-70	28J161	30-19
24J102	30-54	24P146	30-49	25JS130	30-71	28J163	30-19
24J104	30-54	24P153	30-49	25JS134	30-70	28J168	30-32
24J105	30-54	24P155	30-50	25JS137	30-82	28J169	30-32
24J106	30-53	24P158	30-49	25P104	30-69	28JC100	30-27
24J107	30-54	24P159	30-50	25P106	30-69	28JC101	30-27
24J112	30-54	24P165	30-50	25P107	30-69	28JF106	30-18
24J114	30-55	24P167	30-48	25P109	30-70	28JF113	30-18
24J118	30-54	24P171	30-49	25P112	30-70	28JF114	30-18
24J120	30-54	24P172	30-48	25P119	30-70	28JR101	30-22
24JC100	30-59	24P173	30-49	25P124	30-69	28JR103	30-22
24JC102	30-59	24PC100	30-59	25P134	30-70	28JR104	30-23
24JF102	30-53	24PC101	30-59	25P143	30-70	28JR106	30-22
24JF103	30-53	24PC106	30-59	25P144	30-70	28JR115	30-22
24JF106	30-53	24PC107	30-59	25P148	30-69	28JR126	30-22
24JR104	30-55	24PO100	30-58	25P153	30-69	28JR137	30-22
24JR105	30-55	24PO103	30-58	25P157	30-69	28JR143	30-23
24JR112	30-56	24PR104	30-55	25P158	30-68	28JR198	30-21
24JR113	30-55	24PR105	30-55	25P164	30-82	28JR205	30-22
24JR118	30-55	24PR106	30-55	25P165	30-82	28JR217	30-35
24JR119	30-56	25A100	30-75	25P168	30-68	28JR227	30-23
24JR120	30-55	25A101	30-76	25P171	30-82	28JR255	30-23
24JR122	30-56	25A102	30-76, 30-85	25P172	30-82	28JR258	30-35
24JR124	30-56	25A105	30-85	25PC100	30-78	28JR261	30-35
24JR125	30-56	25A106	30-85	25PC101	30-78	28JR268	30-35
24JR144	30-56	25A107	30-75	25PC103	30-78	28JR272	30-34
24JR160	30-56	25A108	30-76	25PO100	30-77	28JR281	30-22
24JR170	30-55	25AR100	30-75	25PO105	30-77	28JR284	30-22
24JR173	30-56	25AR101	30-77	25PR102	30-73	28JR299	30-21
24JS100	30-52	25AR102	30-77	25PR104	30-84	28JR312	30-23
24JS102	30-51	25AT100	30-76	25PR113	30-74	28JR327	30-34
24JS106	30-52	25AT101	30-77	25PR114	30-84	28JR330	30-21
24JS109	30-52	25J106	30-73	25PR122	30-73	28JR333	30-22
24JS110	30-51	25J111	30-73	28A100	30-24	28JR342	30-21
24JS111	30-51	25J112	30-73	28A101	30-23	28JR343	30-35
24JS113	30-52	25J122	30-73	28A110	30-36	28JR345	30-35
24JS115	30-52	25J123	30-72	28A111	30-36	28JR396	30-21
24JS117	30-52	25J124	30-83	28AC100	30-25	28JR401	30-35
24JS121	30-52	25JC100	30-78	28AF100	30-24	28JR404	30-35
24JS128	30-52	25JF104	30-83	28AR100	30-25	28JR521	30-35
24JS132	30-52	25JF105	30-72	28AR102	30-37	28JR525	30-34
24JS137	30-52	25JF108	30-72	28AS100	30-24	28JR529	30-34
24JS141	30-52	25JF110	30-72	28AS103	30-24	28JR536	30-21
24JS142	30-51	25JF111	30-72	28AS112	30-36	28JS104	30-17
24JS145	30-51	25JF113	30-71	28AT100	30-25	28JS105	30-15
24P100	30-49	25JR109	30-74	28AT106	30-25	28JS120	30-17
24P102	30-48	25JR116	30-83	28AT109	30-37	28JS122	30-15
24P103	30-48	25JR117	30-74	28AT112	30-37	28JS126	30-16
24P104	30-49	25JR134	30-84	28AT113	30-37	28JS129	30-17
24P105	30-49	25JR140	30-75	28AT116	30-25	28JS138	30-17
24P107	30-49	25JR152	30-83	28AT117	30-25	28JS152	30-15
24P108	30-50	25JR161	30-75	28J106	30-18	28JS154	30-17

Part Number Index

Part Number	Page	Part Number	Page	Part Number	Page	Part Number	Page
28JS155	30-16	30A101	30-43	32JR189	30-108	39AR101	30-100
28JS161	30-32	30A102	30-42	32JS101	30-105	39AS102	30-99
28JS171	30-31	30A103	30-43	32JS102	30-105	39AT102	30-100
28JS179	30-17	30AS102	30-43	32JS104	30-114	39AT103	30-100
28JS185	30-17	30AS105	30-43	32JS107	30-115	39AT104	30-100
28JS198	30-16	30AT101	30-44	32P100	30-104	39J102	30-93
28JS204	30-16	30AT102	30-44	32P103	30-104	39J103	30-93
28JS209	30-31	30J100	30-41	32P108	30-114	39J106	30-93
28P100	30-15	30JR100	30-42	32P109	30-114	39J108	30-93
28P102	30-14	30JR101	30-42	32P111	30-104	39J109	30-92
28P106	30-12	30JR104	30-42	32P129	30-105	39JF100	30-92
28P107	30-13	30JR106	30-42	32PR103	30-107	39JF101	30-92
28P108	30-14	30JR116	30-42	32PR104	30-107	39JF102	30-91
28P109	30-14	30JR120	30-41	32PR109	30-107	39JF106	30-92
28P113	30-14	30JR121	30-42	33A118	30-143	39JL100	30-98
28P114	30-14	30JR122	30-42	33A119	30-143	39JL101	30-98
28P132	30-15	30JS128	30-40	33JR103	30-141	39JL102	30-98
28P143	30-14	30P105	30-40	33JR115	30-142	39JR100	30-97
28P149	30-12	30P106	30-40	33JR126	30-142	39JR103	30-96
28P150	30-13	30P107	30-40	33JR135	30-141	39JR104	30-96
28P154	30-14	30P120	30-40	33JR159	30-142	39JR108	30-97
28P156	30-143	30P132	30-40	33JR167	30-142	39JR113	30-97
28P184	30-13	30P133	30-40	33JR169	30-142	39JR126	30-96
28P189	30-31	30P136	30-40	33JR170	30-142	39JR127	30-94
28P206	30-14	30P139	30-40	33PR101	30-141	39JR128	30-94
28P225	30-14	30PC103	30-44	33PR117	30-141	39JR143	30-97
28P234	30-14	30PO100	30-44	37A101	30-126	39JR154	30-98
28P242	30-14	30PR100	30-41	37A102	30-125	39JR160	30-97
28P243	30-31	32A100	30-117	37A104	30-125	39JR177	30-96
28P254	30-14	32A102	30-111	37AS100	30-125	39JR178	30-97
28P265	30-14	32A103	30-110	37AS101	30-125	39JR179	30-96
28P268	30-30	32A104	30-111	37AT100	30-126	39JR180	30-98
28P270	30-13	32A105	30-117	37AT101	30-126	39JR190	30-97
28P271	30-13	32AS100	30-110	37AT102	30-126	39JR221	30-97
28P284	30-31	32AS101	30-117	37AT105	30-126	39JR231	30-97
28P290	30-30	32AT100	30-111	37J103	30-122	39JR242	30-96
28P293	30-30	32AT102	30-111	37J105	30-123	39JR253	30-96
28P294	30-30	32AT103	30-111	37JR101	30-124	39JR254	30-97
28PC104	30-27	32AT104	30-111	37JR104	30-123	39JR359	30-94
28PC106	30-27	32J101	30-106	37JR107	30-124	39JR363	30-95
28PC108	30-27	32J102	30-106	37JR108	30-125	39JR364	30-95
28PC110	30-27	32J104	30-106	37JR110	30-124	39JR367	30-95
28PO100	30-26	32JR104	30-110	37JS102	30-122	39JS101	30-91
28PO101	30-26	32JR107	30-108	37JS103	30-122	39JS103	30-91
28PO102	30-26	32JR109	30-110	37P104	30-120	39JS104	30-90
28PO104	30-37	32JR110	30-109	37P106	30-120	39JS105	30-90
28PO107	30-26	32JR111	30-108	37P112	30-120	39P104	30-89
28PO108	30-37	32JR115	30-108	37P115	30-121	39P105	30-90
28PR103	30-20	32JR116	30-116	37P126	30-121	39P106	30-89
28PR105	30-20	32JR118	30-109	37P133	30-120	39P107	30-90
28PR107	30-20	32JR119	30-108	37P134	30-121	39P112	30-88
28PR123	30-20	32JR120	30-117	37PR100	30-123	39P121	30-88
28PR124	30-33	32JR121	30-116	37T100	30-126	39P123	30-89
28PR136	30-33	32JR126	30-109	39A105	30-100	39P132	30-88
28TS102	30-26	32JR127	30-115	39A106	30-99	39P134	30-89
28TS105	30-26	32JR127	30-115	39A107	30-99	39P139	30-89
29JP218	30-144	32JR132	30-116	39AR100	30-100	39P154	30-89

Part Number Index

Part Number	Page	Part Number	Page	Part Number	Page	Part Number	Page
39PR123.....	30-94	47P102.....	30-62	59JR110.....	30-133	69JR103.....	30-138
39PR134.....	30-93	47P104.....	30-62	59JS100.....	30-131	69P100.....	30-136
47AT102.....	30-64	47P105.....	30-62	59P105.....	30-130	69P101.....	30-137
47J101.....	30-63	47PR101.....	30-63	59P107.....	30-131	69P103.....	30-136
47JR101.....	30-64	59JR101.....	30-132	59P108.....	30-130	69P104.....	30-136
47JR102.....	30-63	59JR102.....	30-132	59P110.....	30-130		
47JR104.....	30-63	59JR107.....	30-131	59TS100.....	30-133		
47JS101.....	30-62	59JR108.....	30-132	69JR100.....	30-137		
47P101.....	30-62	59JR109.....	30-133	69JR101.....	30-137		

