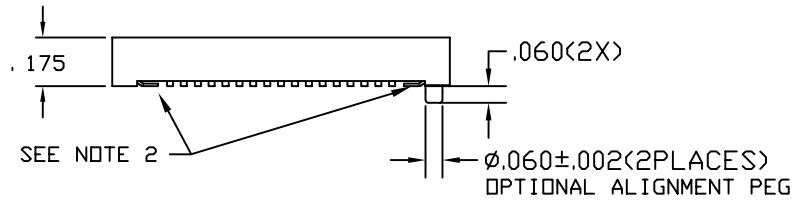
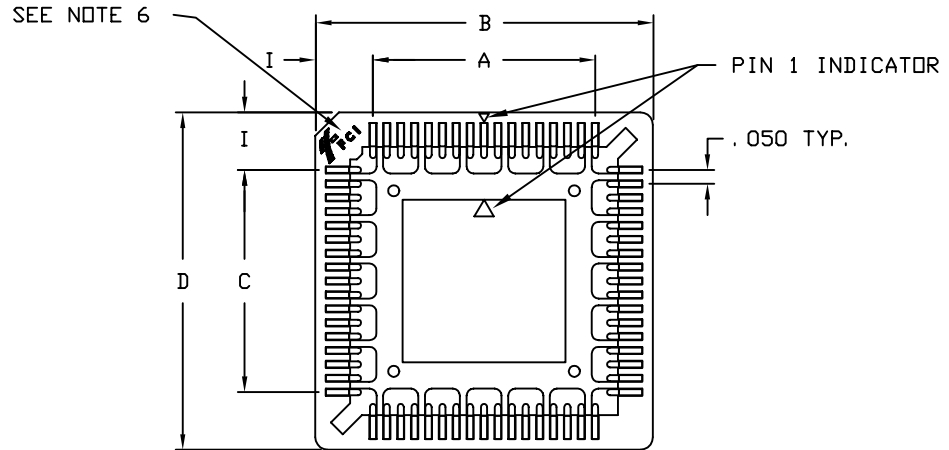


1 | 2

3

4



NOTE: 'PLCC-68P-T-SMT-P' SOCKET SHOWN

NOTES:

1. THESE SOCKETS ARE PROVIDED BOTH WITH AND WITHOUT THE ALIGNMENT PEGS IN THE TUBE FORMAT. SOCKETS WITHOUT THE ALIGNMENT PEGS ARE ALSO AVAILABLE IN TAPE & REEL FORMAT. SOCKET'S PART NUMBER AND SOCKET DIMENSIONS ARE LISTED IN THE TABLE ON SHEET 2. FOR PACKAGING DIMENSIONS PLEASE SEE SHEET 3 AND SHEET 5.
 2. THE LEAD FEET BOTTOM SURFACES SHALL BE COPLANAR WITH RESPECT TO ONE ANOTHER WITHIN .004. NO PART OF THE PLASTIC INSULATOR SHALL PROTRUDE BEYOND THE LEAD FEET PLANE, WITH THE EXCEPTION OF THE OPTIONAL ALIGNMENT PEGS.
 3. THESE SOCKETS ARE DESIGNED FOR USE WITH PLASTIC LEADED CHIP CARRIERS (PLCC'S) THAT MEET THE DIMENSIONAL REQUIREMENTS OF JEDEC PUBLICATION 95, FOR PACKAGE NUMBERS MD-047 AA-AH & MD-052 AA-AE (RECTANGULAR PACKAGES).
 4. MATERIALS:
 - A. CONTACT MATERIAL: PHOSPHOR BRONZE
 - B. CONTACT PLATING: 150 μ MIN. TIN OVER 40 μ MIN. NICKEL
 - C. INSULATOR: PPS, HIGH TEMP., UL 94V-0
 5. PERFORMANCE:
 - A. TEMPERATURE RANGE: -55° C TO 125° C
 - B. CONTACT RESISTANCE: 20 MILLIOHMS MAX.
 - C. INSERTION FORCE: SEE TABLE
 - D. EXTRACTION FORCE: SEE TABLE
 - E. DIELECTRIC WITHSTANDING VOLTAGE: 600 VOLTS RMS FOR 60 SEC.
 - F. DURABILITY: 25 CYCLES MINIMUM.
 - G. WEIGHT: SEE TABLE
- © FCI LOGO LOCATION

mat'l. code				tolerances unless otherwise specified				CUSTOMER COPY		Electronics www.fciconnect.com	
ltr	ecn no	dr	date	linear	.XXX±.008			projection	title		
A	V11675	CRG	6/8/01						SURFACE MOUNT PLCC SOCKET		
B	V12144	CRG	8/15/01								
C	V12551	CRG	10/22/01	angles	0° ±2°			INCH	product family		
D	V12858	CRG	12/20/01	dr	C.GINGRICH	6/8/01	scale		PLCC		
				engr	D.WHITING	6/8/01		NTS	code		
				chr	D.WHITING	6/8/01			size		
				appd	D.WHITING	6/8/01			dwg no		
sheet	revision	D	D	D	D	D			A4	59001	
index	sheet	1	2	3	4	5	6				1 of 6

1 | 2

3

4

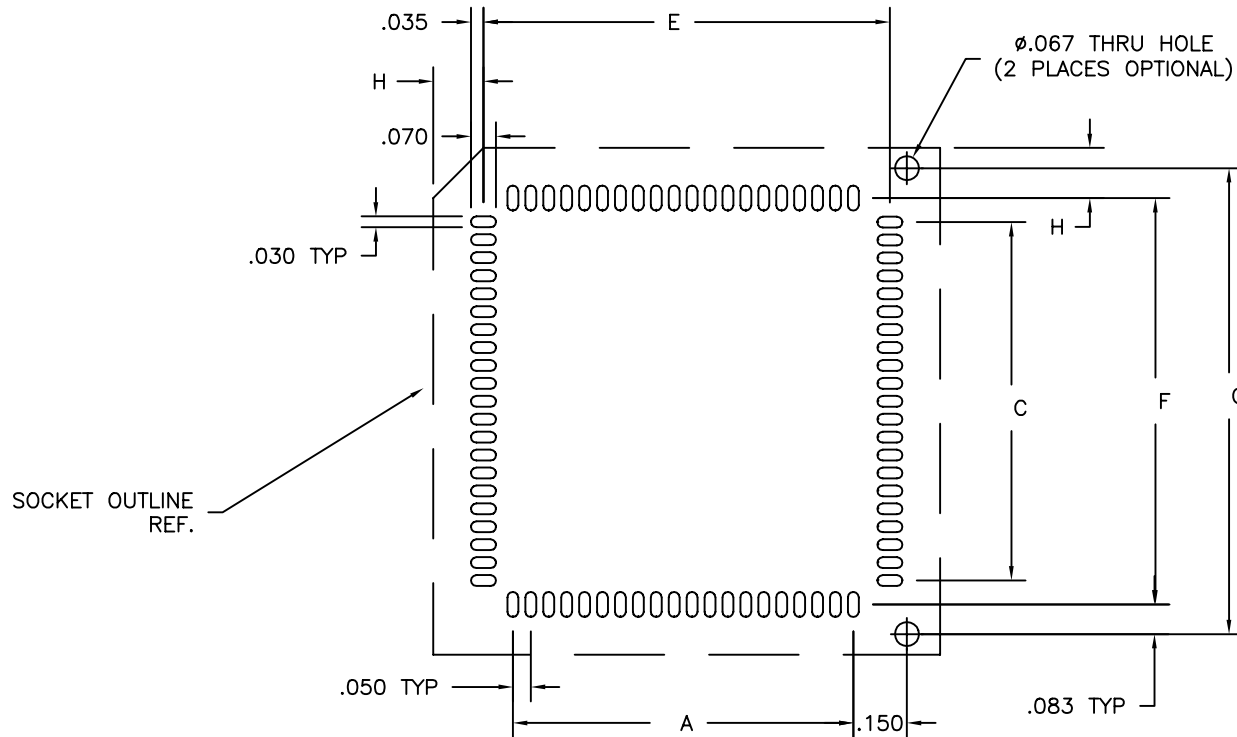
ACAD

cage code
22526

Tous droits strictement reserves. Reproduction ou communication a des tiers interdite sous quelque forme que ce soit sans autorisation écrite du propriétaire. Propriete de c FCI. Droits de reproduction FCI.

All rights strictly reserved. Reproduction or issue to third parties in any form whatever is not permitted without written authority from the proprietor. Property of FCI. Copyright FCI.

MCKENZIE PART NUMBER	BERG PART NUMBER	MCKENZIE PART NUMBER	BERG PART NUMBER	MCKENZIE PART NUMBER	BERG PART NUMBER	SOCKET DIMENSIONS									INSERTION FORCE (LBF. MAX.)	EXTRACTION FORCE (LBF. MIN.)	WEIGHT (OUNCE)
WITHOUT PEGS		WITH PEGS		WITH TAPE & REEL		A	B	C	D	E	F	G	H	I			
PLCC-20P-T-SMT	69802-120	PLCC-20P-T-SMT-P	69802-020	PLCC-20P-T-SMT-TR	69802-520C	.200	.600	.200	.600	.334	.334	.500	.133	.200	13.0	1.1	.031
PLCC-28P-T-SMT	69802-128	PLCC-28P-T-SMT-P	69802-028	PLCC-28P-T-SMT-TR	69802-528	.300	.700	.300	.700	.434	.434	.600	.133	.200	15.0	1.1	.040
PLCC-32P-T-SMT	69802-132	PLCC-32P-T-SMT-P	69802-032	PLCC-32P-T-SMT-TR	69802-432	.300	.700	.400	.800	.434	.534	.700	.133	.200	15.0	1.5	.044
PLCC-44P-T-SMT	69802-144	PLCC-44P-T-SMT-P	69802-044	PLCC-44P-T-SMT-TR	69802-444	.500	.900	.500	.900	.634	.634	.800	.133	.200	19.0	2.8	.063
PLCC-52P-T-SMT	69802-152	PLCC-52P-T-SMT-P	69802-052	PLCC-52P-T-SMT-TR	69802-452	.600	1.000	.600	1.000	.734	.734	.900	.133	.200	22.0	3.5	.071
PLCC-68P-T-SMT	69802-168	PLCC-68P-T-SMT-P	69802-068	PLCC-68P-T-SMT-TR	69802-468	.800	1.213	.800	1.213	.934	.934	1.100	.140	.207	26.0	5.1	.095
PLCC-84P-T-SMT	69802-184	PLCC-84P-T-SMT-P	69802-084	PLCC-84P-T-SMT-TR	69802-484	1.000	1.413	1.000	1.413	1.134	1.134	1.300	.140	.207	33.0	6.0	.119



PCB PAD LAYOUT
REFERENCE ONLY

mat'l. code		tolerances unless otherwise specified		CUSTOMER COPY		 www.fciconnect.com	
ltr	ecn no	dr	date	linear	.XXX±.008		projection
D					angles	0° ±2°	
				dr	C.GINGRICH	6/8/01	 INCH
				enr	D.WHITING	6/8/01	
				chr	D.WHITING	6/8/01	
				appd	D.WHITING	6/8/01	
sheet index	revision sheet						scale NTS
							product family PLCC
							size A4
							code -
							sheet 2 of
							cage code 22526

ACAD

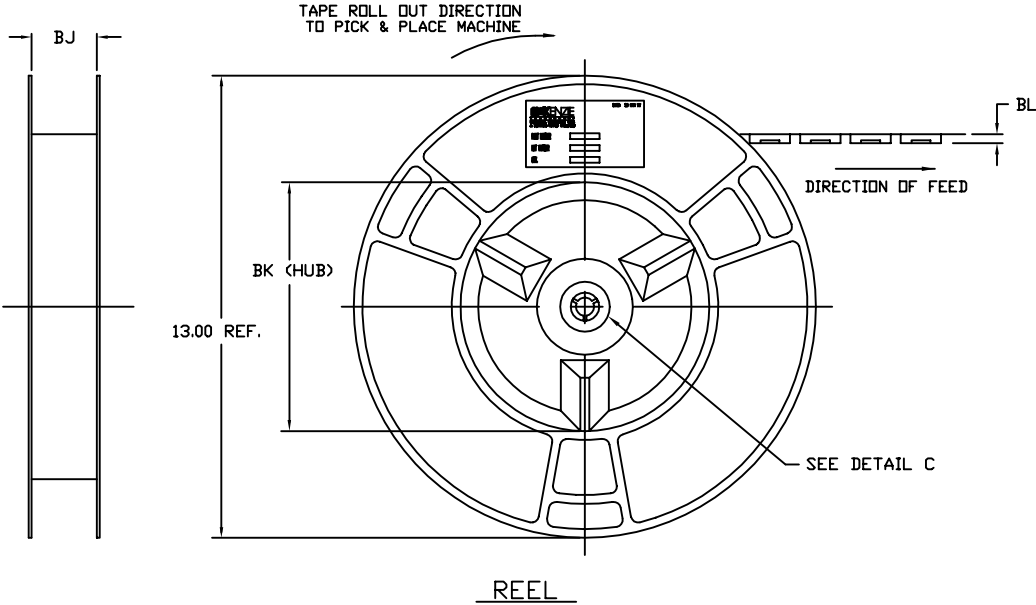
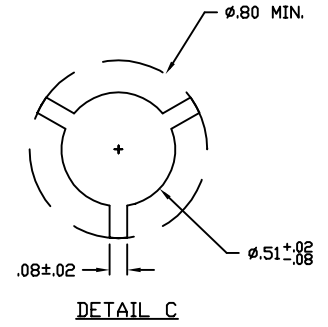
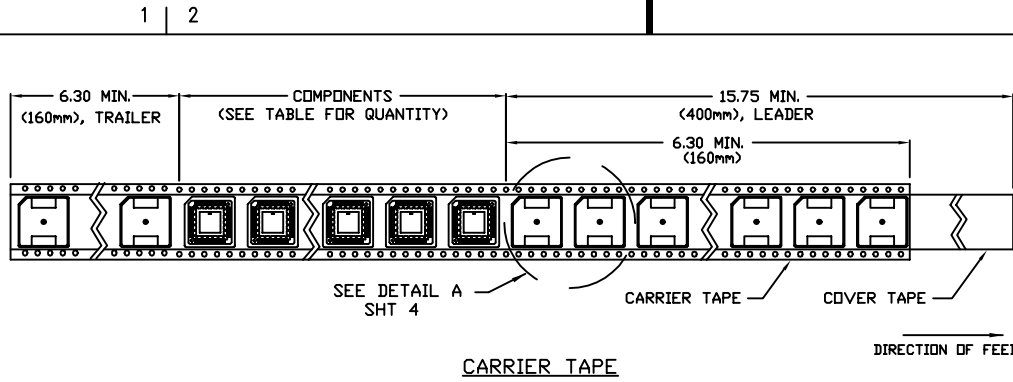
PDM: Rev:D

STATUS: Released

Printed: Aug 05, 2006

Tous droits strictement réservés. Reproduction ou communication à des tiers interdite sous quelque forme que ce soit sans autorisation écrite du propriétaire. Propriété de c FCI. Droits de reproduction FCI.

All rights strictly reserved. Reproduction or issue to third parties in any form whatever is not permitted without written authority from the proprietor. Property of FCI. Copyright FCI.



- NOTES:
- FOR SOCKETS' DIMENSIONS PLEASE SEE SHEET 1.
 - TAPE MATERIAL: POLYSTYRENE, COLOR: BLACK
 - 10 HOLE PITCH CUMULATIVE TOLERANCE ±0.08 (±0.20).
 - THE TAPE FOR THE 20 POSITION SOCKET ONLY HAS ONE ROW OF SPROCKET HOLES ON THE SAME SIDE AS THE CHAMFER (TOP). ALL OTHER TAPES HAVE HOLES ON BOTH SIDE AS SHOWN.
 - ALL DIMENSIONS AND TOLERANCES SHOULD MEET EIA STANDARD EIA-481.
 - THIS TAPE IS THE MODIFIED VERSION FROM 'PLCC-20P-T-SMT-TR' AND THE PITCH (DIM. 'BG') HAS CHANGED FROM 24 MM TO 20 MM.
 - FOR TAPE & REEL PACKAGING DIMENSIONS PLEASE SEE SHEET 4.

mat'l. code				tolerances unless otherwise specified		CUSTOMER COPY	FCI Electronics www.fciconnect.com	
ltr	ecn no	dr	date	linear	.X X±.10	projection	title	
D					.XX ±.008	⊕	SURFACE MOUNT PLCC SOCKETS	
				angles	0° ±2°	INCH	product family	PLCC
		dr	C.GINGRICH	6/8/01		scale	size	code
		enr	D.WHITING	6/8/01		NTS	dwg no	—
		chr	D.WHITING	6/8/01			A4	59001
		appd	D.WHITING	6/8/01				sheet
sheet index	revision sheet							3 of

cage code
22526

ACAD

Tous droits strictement réservés. Reproduction ou communication à des tiers interdite sous quelque forme que ce soit sans autorisation écrite du propriétaire. Propriété de c FCI. Droits de reproduction FCI.

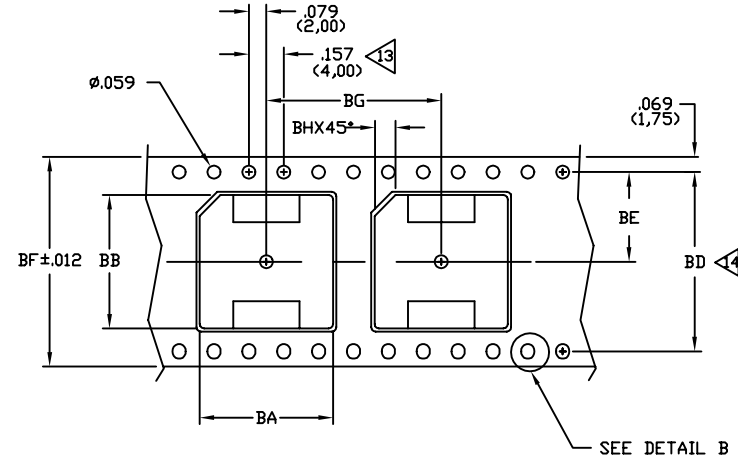
All rights strictly reserved. Reproduction or issue to third parties in any form whatever is not permitted without written authority from the proprietor. Property of FCI. Copyright FCI.

1 | 2

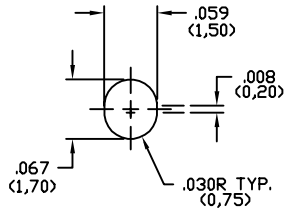
3

4

MCKENZIE PART NUMBER	BERG PART NO.	PACKAGING DIMENSIONS										QTY./REEL
		BA	BB	BD	BE	BF	BG	BH	BJ	BK	BL	
PLCC-20P-T-SMT-TR	69802-520C	0.630 (16,00)	0.630 (16,00)	---	0.453 (11,50)	0.945 (24,00)	0.945 (24,00)	0.059 (1,50)	0.976 (24,80)	4.00 (100,0)	.220 (5,58)	470
PLCC-28P-T-SMT-TR	69802-528	0.732 (18,60)	0.732 (18,60)	1.118 (28,40)	0.559 (14,20)	1.260 (32,00)	0.945 (24,00)	0.094 (2,40)	1.291 (32,80)	4.00 (100,0)	.252 (6,40)	390
PLCC-32P-T-SMT-TR	69802-432	0.740 (18,80)	0.839 (21,30)	1.118 (28,40)	0.559 (14,20)	1.260 (32,00)	0.945 (24,00)	0.098 (2,50)	1.291 (32,80)	4.00 (100,0)	.252 (6,40)	390
PLCC-44P-T-SMT-TR	69802-444	0.937 (23,80)	0.937 (23,80)	1.591 (40,40)	0.795 (20,20)	1.732 (44,00)	1.260 (32,00)	0.098 (2,50)	1.764 (44,80)	7.00 (177,8)	.252 (6,40)	250
PLCC-52P-T-SMT-TR	69802-452	1.031 (26,20)	1.031 (26,20)	1.591 (40,40)	0.795 (20,20)	1.732 (44,00)	1.260 (32,00)	0.098 (2,50)	1.764 (44,80)	7.00 (177,8)	.252 (6,40)	250
PLCC-68P-T-SMT-TR	69802-468	1.236 (31,40)	1.236 (31,40)	1.591 (40,40)	0.795 (20,20)	1.732 (44,00)	1.417 (36,00)	0.098 (2,50)	1.764 (44,80)	7.00 (177,8)	.252 (6,40)	220
PLCC-84P-T-SMT-TR	69802-484	1.429 (36,30)	1.429 (36,30)	2.063 (52,40)	1.031 (26,20)	2.205 (56,00)	1.575 (40,00)	0.098 (2,50)	2.236 (56,80)	7.00 (177,8)	.252 (6,40)	200
PLCC-20P-T-SMT-TR-M	69802-520	0.630 (16,00)	0.630 (16,00)	---	0.453 (11,50)	0.945 (24,00)	0.787 (20,00)	0.094 (2,40)	0.976 (24,80)	4.00 (100,0)	.252 (6,40)	490



CARRIER TAPE
DETAIL A



DETAIL B

mat'l. code		tolerances unless otherwise specified		CUSTOMER COPY	 www.fciconnect.com
ltr	ecn no	dr	date	linear	
D				.X X±.10	
				.XX X±.008	
				angles	0° ±2°
		dr	C.GINGRICH	6/8/01	INCH scale NTS
		enrg	D.WHITING	6/8/01	
		chr	D.WHITING	6/8/01	
		appd	D.WHITING	6/8/01	
sheet index	revision sheet				

title		product family		code
SURFACE MOUNT PLCC SOCKETS		PLCC		-
size		dwg no		sheet
A4		59001		4 of

cage code
22526

1 | 2

3

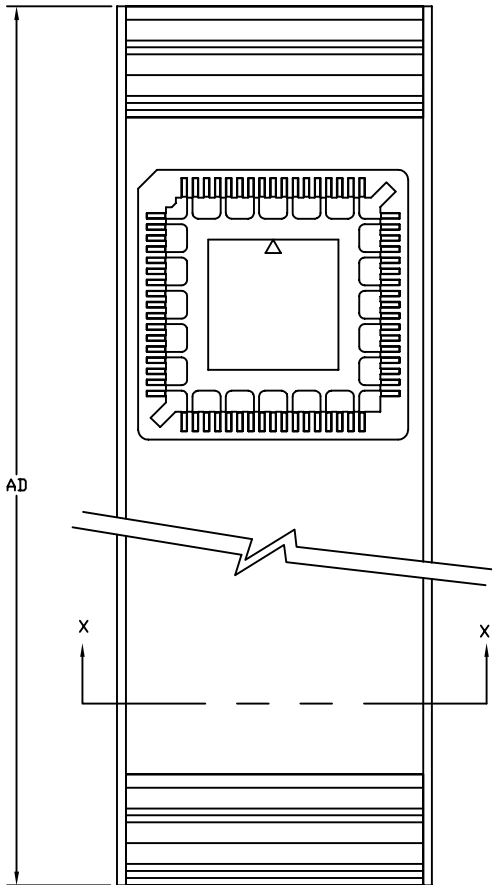
4

ACAD

PDM: Rev:D

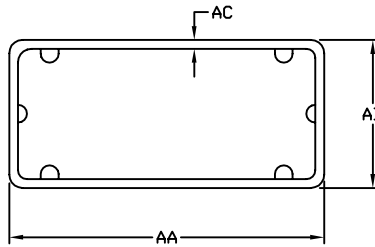
STATUS: Released

Printed: Aug 05, 2006

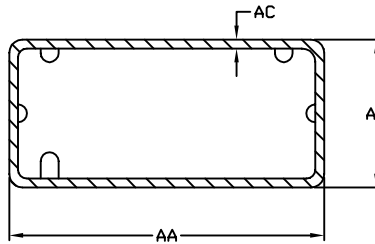


TOP VIEW OF TUBE

NOTE: 'PLCC-68P-T-SMT-P' SOCKET SHOWN.



SECTION X-X
FIG. 1, TUBE FOR SMT PLCC SOCKET W/O PEGS



SECTION X-X
FIG. 2, TUBE FOR SMT PLCC SOCKET W/ PEGS

NOTES:

- FOR SOCKETS' DIMENSIONS PLEASE SEE SHEET 1.
- 7. THE SHIPPING TUBE FOR SOCKETS WITHOUT PEGS IS SHOWN IN FIG. 1 AND THE SHIPPING TUBE FOR SOCKETS WITH PEGS IS SHOWN IN FIG. 2.
- 8. TUBE MATERIAL: PVC
- TWO REMOVABLE STOPPERS (ONE IN EACH END) CONTAIN THE SOCKETS WITHIN THE TUBE ENDS.
- 10. DIMENSIONS IN PARENTHESIS ARE METRIC.

FCI PART NUMBER	ORIGINAL BERG PART NUMBER	TUBE DIMENSIONS				QTY/TUB
		AA ±.012 (±0,30)	AB ±.012 (±0,30)	AC ±.005 (±0,12)	AD ±.08 (±2,0)	
PLCC-20P-T-SMT PLCC-20P-T-SMT-P	69802-120 69802-020	0.708 (17,98)	0.332 (8,44)	0.020 (0,50)	24.09 (612,0)	37
PLCC-28P-T-SMT PLCC-28P-T-SMT-P	69802-128 69802-028	0.812 (20,62)	0.336 (8,54)	0.022 (0,55)	24.09 (612,0)	32
PLCC-32P-T-SMT PLCC-32P-T-SMT-P	69802-132 69802-032	0.812 (20,62)	0.336 (8,54)	0.022 (0,55)	24.09 (612,0)	28
PLCC-44P-T-SMT PLCC-44P-T-SMT-P	69802-144 69802-044	1.016 (25,80)	0.340 (8,64)	0.024 (0,60)	24.09 (612,0)	25
PLCC-52P-T-SMT PLCC-52P-T-SMT-P	69802-152 69802-052	1.116 (28,34)	0.340 (8,64)	0.024 (0,60)	24.09 (612,0)	23
PLCC-68P-T-SMT PLCC-68P-T-SMT-P	69802-168 69802-068	1.320 (33,52)	0.344 (8,74)	0.026 (0,65)	24.09 (612,0)	18
PLCC-84P-T-SMT PLCC-84P-T-SMT-P	69802-184 69802-084	1.520 (38,60)	0.344 (8,74)	0.026 (0,65)	24.09 (612,0)	16

mat'l. code				tolerances unless otherwise specified		CUSTOMER COPY	 Electronics www.fciconnect.com
ltr	ecn no	dr	date	linear	.X X±.10		
D					.XXX±.008	 INCH	SUFACE MOUNT PLCC SOCKETS
				angles	0° ±2°		
		dr	C.GINGRICH	6/8/01		scale	code
		enrg	D.WHITING	6/8/01		size	59001
		chr	D.WHITING	6/8/01		NTS	sheet
		appd	D.WHITING	6/8/01			5 of
sheet index	revision sheet						


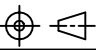
Tous droits strictement réservés. Reproduction ou communication à des tiers interdite sous quelque forme que ce soit sans autorisation écrite du propriétaire. Propriété de c FCI. Droits de reproduction FCI.

All rights strictly reserved. Reproduction or issue to third parties in any form whatever is not permitted without written authority from the proprietor. Property of FCI. Copyright FCI.

FCI PART NUMBER WITHOUT PEGS	ORIGINAL BERG PART NUMBER WITHOUT PEGS	ORIGINAL BURNDY PART NUMBER WITHOUT PEGS
PLCC-20P-T-SMT	69802-120	QSIE20P-510T
PLCC-28P-T-SMT	69802-128	QSIE28P-510T
PLCC-32P-T-SMT	69802-132	QSIE32P-510T
PLCC-44P-T-SMT	69802-144	QSIE44P-510T
PLCC-52P-T-SMT	69802-152	QSIE52P-510T
PLCC-68P-T-SMT	69802-168	QSIE68P-510T
PLCC-84P-T-SMT	69802-184	QSIE84P-510T

FCI PART NUMBER WITH PEGS	ORIGINAL BERG PART NUMBER WITH PEGS	ORIGINAL BURNDY PART NUMBER WITH PEGS
PLCC-20P-T-SMT-P	69802-020	QSIE20P-512T
PLCC-28P-T-SMT-P	69802-028	QSIE28P-512T
PLCC-32P-T-SMT-P	69802-032	QSIE32P-512T
PLCC-44P-T-SMT-P	69802-044	QSIE44P-512T
PLCC-52P-T-SMT-P	69802-052	QSIE52P-512T
PLCC-68P-T-SMT-P	69802-068	QSIE68P-512T
PLCC-84P-T-SMT-P	69802-084	QSIE84P-512T

FCI PART NUMBER WITH TAPE & REEL	ORIGINAL BERG PART NUMBER WITH TAPE & REEL	ORIGINAL BURNDY PART NUMBER WITH TAPE & REEL
PLCC-20P-T-SMT-TR	69802-420	QSIE20P-510R
PLCC-28P-T-SMT-TR	69802-428	QSIE28P-510R
PLCC-32P-T-SMT-TR	69802-432	QSIE32P-510R
PLCC-44P-T-SMT-TR	69802-444	QSIE44P-510R
PLCC-52P-T-SMT-TR	69802-452	QSIE52P-510R
PLCC-68P-T-SMT-TR	69802-468	QSIE68P-510R
PLCC-84P-T-SMT-TR	69802-484	QSIE84P-510R

mat'l. code		tolerances unless otherwise specified		CUSTOMER COPY		 Electronics FCI www.fciconnect.com	
ltr	ecn no	dr	date	linear	.XX±.01/.X.3		projection
D					.XXX±.008/.XX±.20		
				angles	0° ±2'		 INCH/MM
				dr	C.GINGRICH	6/8/01	
				engr	D.WHITING	6/8/01	scale NTS
				chr	D.WHITING	6/8/01	
				appd	D.WHITING	6/8/01	title SURFACE MOUNT PLCC SOCKET product family PLCC code - size dwg no A4 59001 sheet 6 of
sheet index	revision sheet						