

Electrical

(REV. 02)

TRANSFORMER ELECTRICAL SPECIFICATIONS:

URNS RATIO :

(1-2) : (3-4) : (16-15) : (14-13) : 1 : 1 : 2.0 : 2.0 ± 3%
 (5-6) : (7-8) : (12-11) : (10-9) : 1 : 1 : 2.0 : 2.0 ± 3%

INDUCTANCE :

(1-4) WITH 2 AND 3 CONNECTED : 25mH MIN. @ 0.1Vrms, 10KHz
 (5-8) WITH 6 AND 7 CONNECTED : 25mH MIN. @ 0.1Vrms, 10KHz

LEAKAGE INDUCTANCE:

(1-4) WITH 2 AND 3 CONNECTED AND (16,15,14 AND 13 SHORT) : 6uH MAX. @ 1MHz
 (5-8) WITH 6 AND 7 CONNECTED AND (12,11,10 AND 9 SHORT) : 6uH MAX. @ 1MHz

INTERWINDING CAPACITANCE:

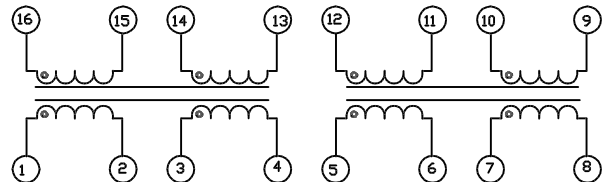
(1,2,3,4) TO (16,15,14,13) : 100pf MAX.
 (5,6,7,8) TO (11,10,9,8) : 100pf MAX.

D.C. RESISTANCE:

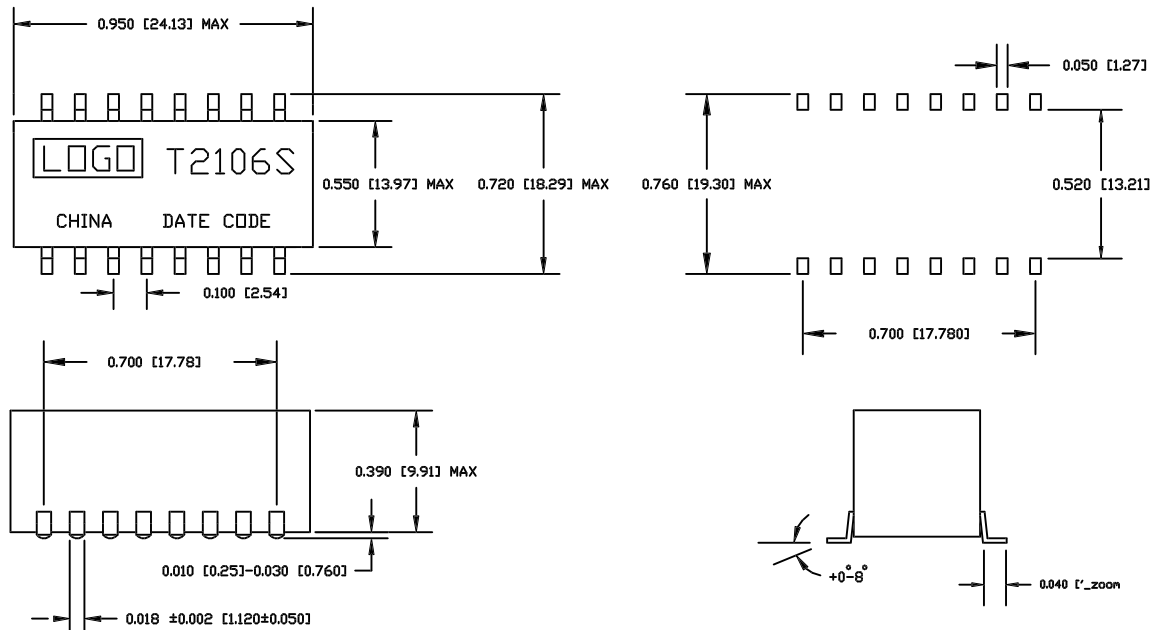
16-15=14-13=12-11=10-9 : 3.50 OHMS MAX.
 1-2=3-4=5-6=7-8 : 1.35 OHMS MAX.

DIELECTRIC VOLTAGE WITHSTAND:

(1,2,3,4) TO (16,15,14,13) : 1500Vrms FOR 60 SECONDS
 (5,6,7,8) TO (12,11,10,9) : 1500Vrms FOR 60 SECONDS



Mechanical



NOTES:

- 1.0 LEADS MEET THE SOLDERABILITY REQUIREMENTS TO MIL-STD-202 METHOD 208.
- 2.0 COPLANARITY OF PINS IS .004 [0.102] MAX.
- 3.0 THE CASE IS UL 94 V-0 BLACK PLASTIC.

WEBSITE innet-tech.com

E-MAIL innet@innet-tech.com

NORTH AMERICA

tel 858-578-8094
 fax 858-578-5762

HONG KONG

tel 852-2690-1049
 fax 852-2687-6441

CHINA

tel 86-769-229-2901
 fax 86-769-225-0747