

10BASE-T LAN MAGNETICS

AUI Isolation Transformers

LM00508

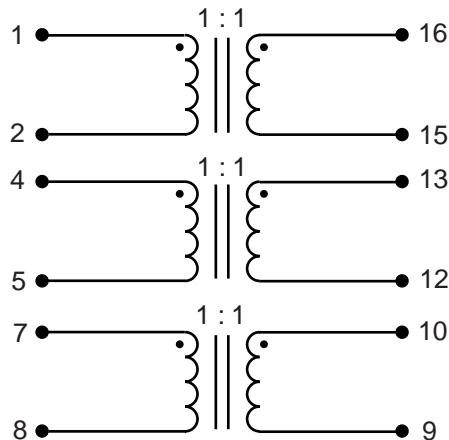
- Provide isolation protection for cable to AUI interface in 10Base-T applications
- Multiple OCL (inductance) values available
- Through hole and surface mount packaging available
- Operating temperature 0° to 70° C
- Minimum interwinding breakdown voltage of 1500 Vrms

ELECTRICAL SPECIFICATIONS AT 25° C

Part Number	OCL μH ±20%	ET Constant Vμs min	Rise Time ns max	Interwinding Capacitance pF max	Leakage Inductance μH max	DCR Ω max
A553-0756-AB	75	2.1	3.0	10	0.20	0.20
A553-1006-AB	100	2.1	3.0	10	0.20	0.20
A553-1506-AB	150	3.0	3.5	12	0.25	0.30
S553-0756-AE	75	1.4	1.8	7	0.10	0.17
S553-1006-AE	100	1.5	1.8	8	0.10	0.20
S553-1506-AE	150	1.8	1.8	9	0.10	0.20

SCHEMATIC

A553-0756-AB **S553-0756-AE**
A553-1006-AB **S553-1006-AE**
A553-1506-AB **S553-1506-AE**

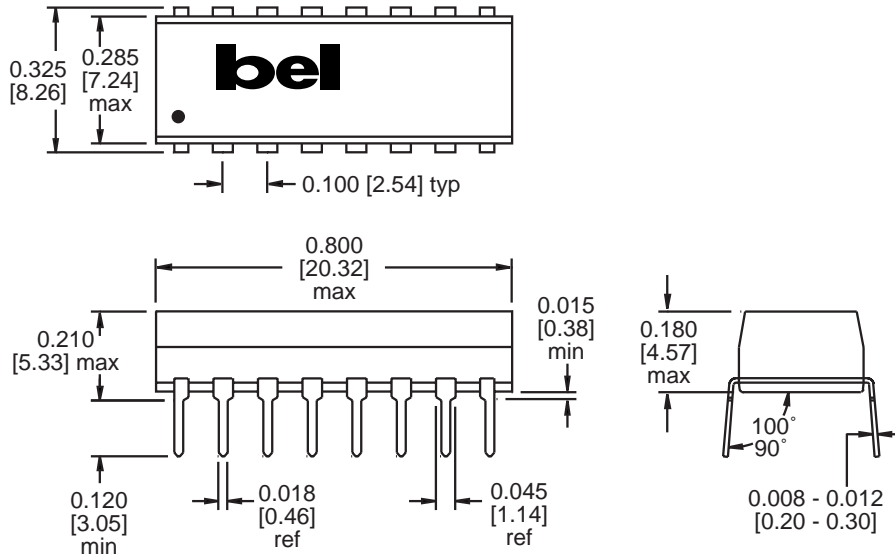


©2001 Bel Fuse Inc. Specifications subject to change without notice. 09.01

LM00508

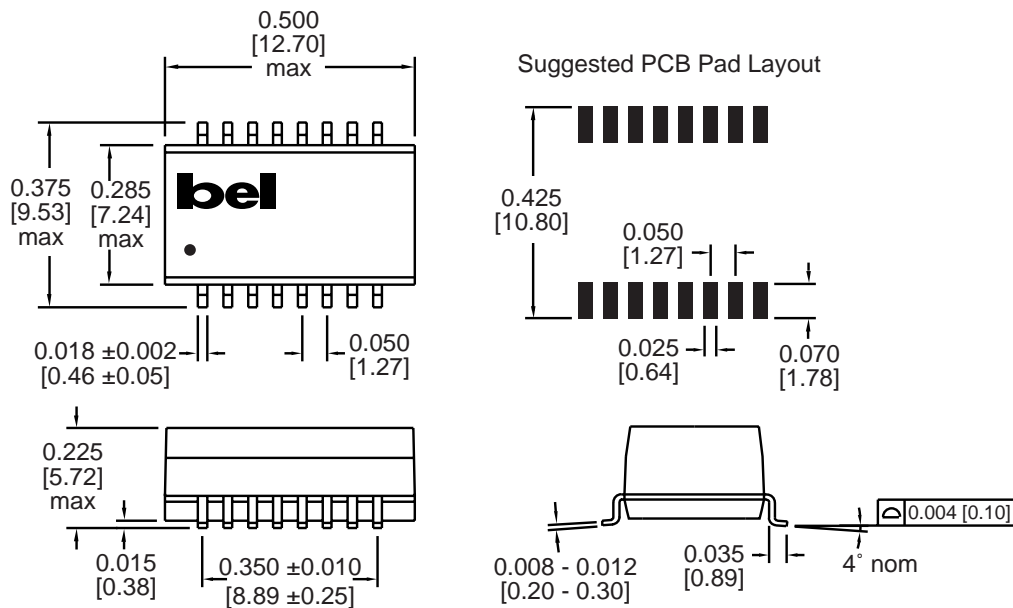
MECHANICALS

A553-0756-AB
A553-1006-AB
A553-1506-AB



Dimensions are in inches [millimeters].
Standard dimension tolerance is ± 0.005 [0.13] unless otherwise noted.

S553-0756-AE
S553-1006-AE
S553-1506-AE



Dimensions are in inches [millimeters].
Standard dimension tolerance is ± 0.005 [0.13] unless otherwise noted.

©2001 Bel Fuse Inc. Specifications subject to change without notice. 09.01

CORPORATE

Bel Fuse Inc.
206 Van Vorst Street
Jersey City, NJ 07302
Tel 201-432-0463
Fax 201-432-9542
www.belfuse.com

FAR EAST

Bel Fuse Ltd.
8F / 8 Luk Hop Street
San Po Kong
Kowloon, Hong Kong
Tel 852-2328-5515
Fax 852-2352-3706
www.belfuse.com

EUROPE

Bel Fuse Europe Ltd.
Preston Technology Management Centre
Marsh Lane, Suite G7, Preston
Lancashire, PR1 8UD, U.K.
Tel 44-1772-556601
Fax 44-1772-888366
www.belfuse.com